

US00D754250S

(12) **United States Design Patent**
Elmer

(10) **Patent No.:** **US D754,250 S**
(45) **Date of Patent:** **** Apr. 19, 2016**

(54) **VEHICLE ADVERTISING SIGN**

(71) Applicant: **Domino's IP Holder LLC**, Ann Arbor, MI (US)

(72) Inventor: **Steven Elmer**, Winter Park, FL (US)

(73) Assignee: **Domino's IP Holder LLC**, Ann Arbor, MI (US)

(**) Term: **14 Years**

(21) Appl. No.: **29/480,723**

(22) Filed: **Jan. 29, 2014**

(51) **LOC (10) Cl.** **20-03**

(52) **U.S. Cl.**
USPC **D20/10**

(58) **Field of Classification Search**
USPC D20/10, 17-19, 29, 39-42, 99, 28, 31;
D10/109.1, 109.2, 113.4
CPC G09F 7/00; G09F 7/02; G09F 7/06;
G09F 7/08; G09F 7/18; G09F 9/00; G09F
13/00; G09F 13/02; G09F 13/04; G09F 15/00;
G09F 15/0012; G09F 15/0037; G09F 15/02;
G09F 21/00; G09F 21/04; G09F 2007/1821;
G09F 2007/1834; G09F 2013/0431; G09F
2013/0495; G09F 2017/0075; G09F 17/00

See application file for complete search history.

(56) **References Cited**

U.S. PATENT DOCUMENTS

3,440,748 A *	4/1969	Hackley	40/592
4,259,660 A *	3/1981	Oliver	340/480
D271,984 S *	12/1983	Nelson et al.	D20/10
4,995,186 A *	2/1991	Collie	40/591
D371,164 S *	6/1996	Shane	D20/10
D523,602 S *	6/2006	Memari	D34/1
D617,384 S *	6/2010	Elmer	D20/10

* cited by examiner

Primary Examiner — Mary Ann Calabrese

(74) *Attorney, Agent, or Firm* — Brooks Kushman P.C.

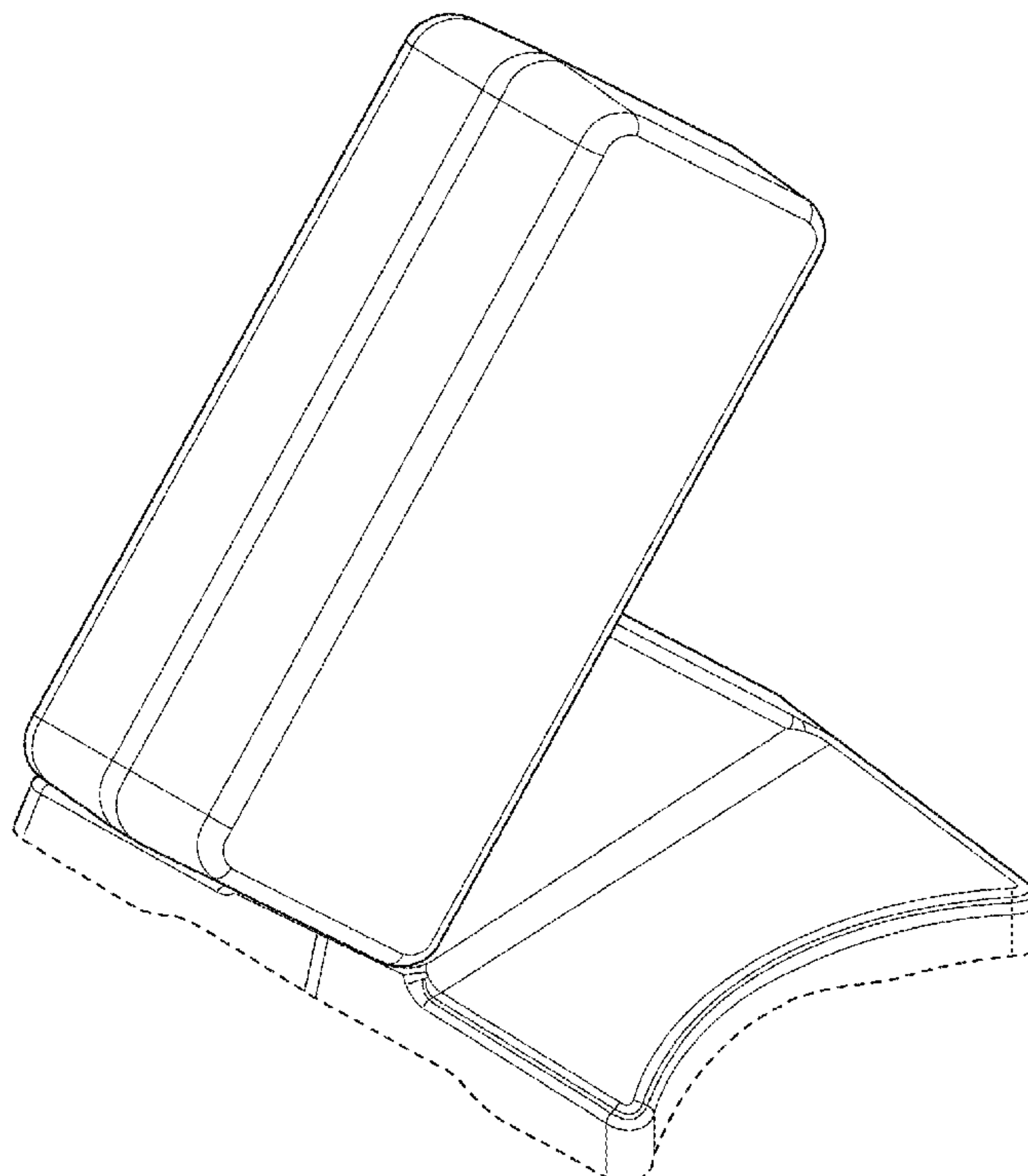
(57) **CLAIM**

The ornamental design for a vehicle advertising sign, as shown and described.

DESCRIPTION

FIG. 1 is a top, left, front perspective view of a vehicle advertising sign, according to the invention;
FIG. 2 is a bottom, right, rear perspective view thereof;
FIG. 3 is a top, right, rear perspective view thereof;
FIG. 4 is a front view thereof;
FIG. 5 is a rear view thereof;
FIG. 6 is a left side view thereof, the right side being a mirror image;
FIG. 7 is a top view thereof; and,
FIG. 8 is a bottom view thereof.
Broken lines indicate boundaries of the claimed design, and form no part thereof.

1 Claim, 8 Drawing Sheets



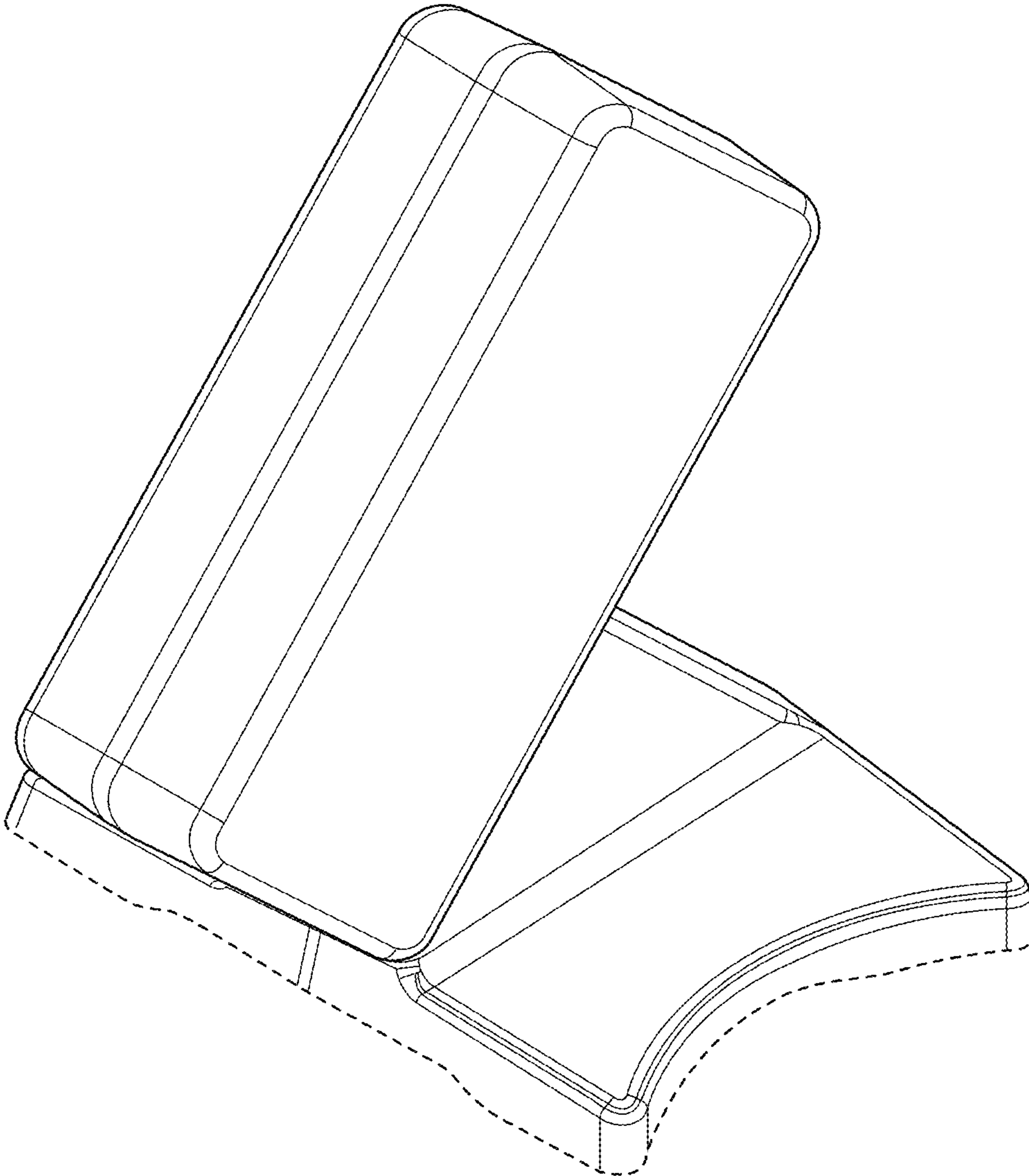


FIG. 1

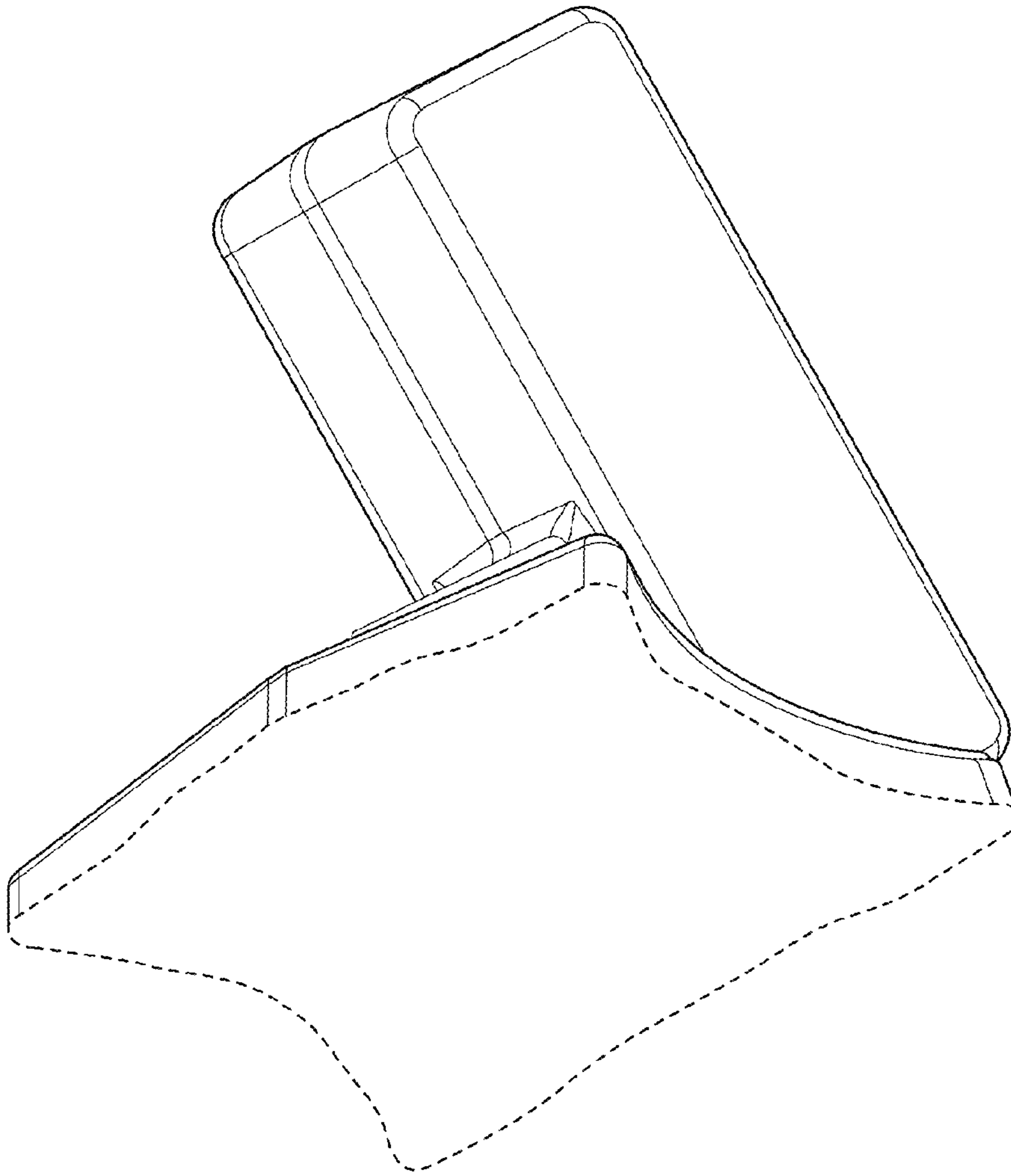


FIG. 2

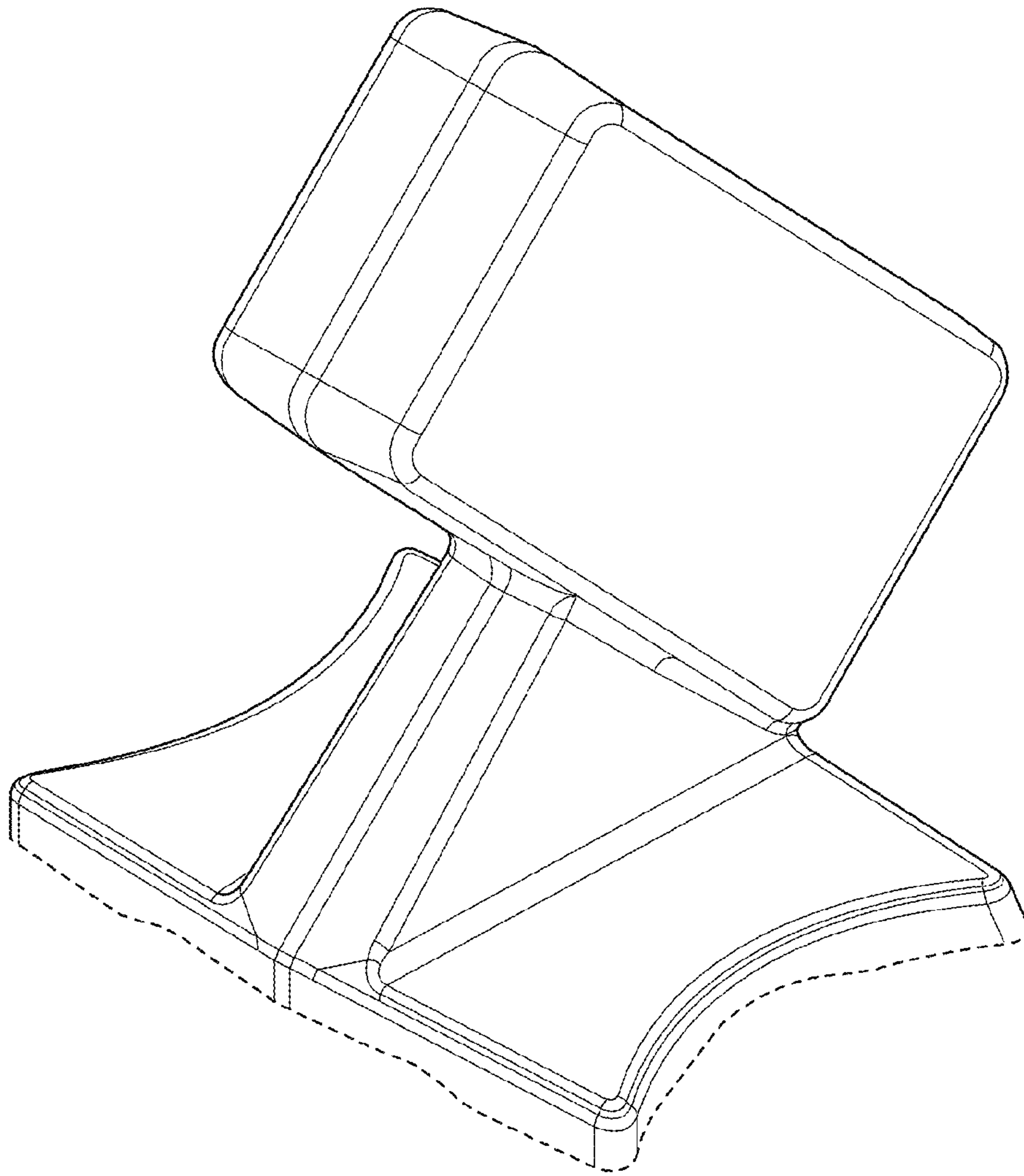


FIG. 3

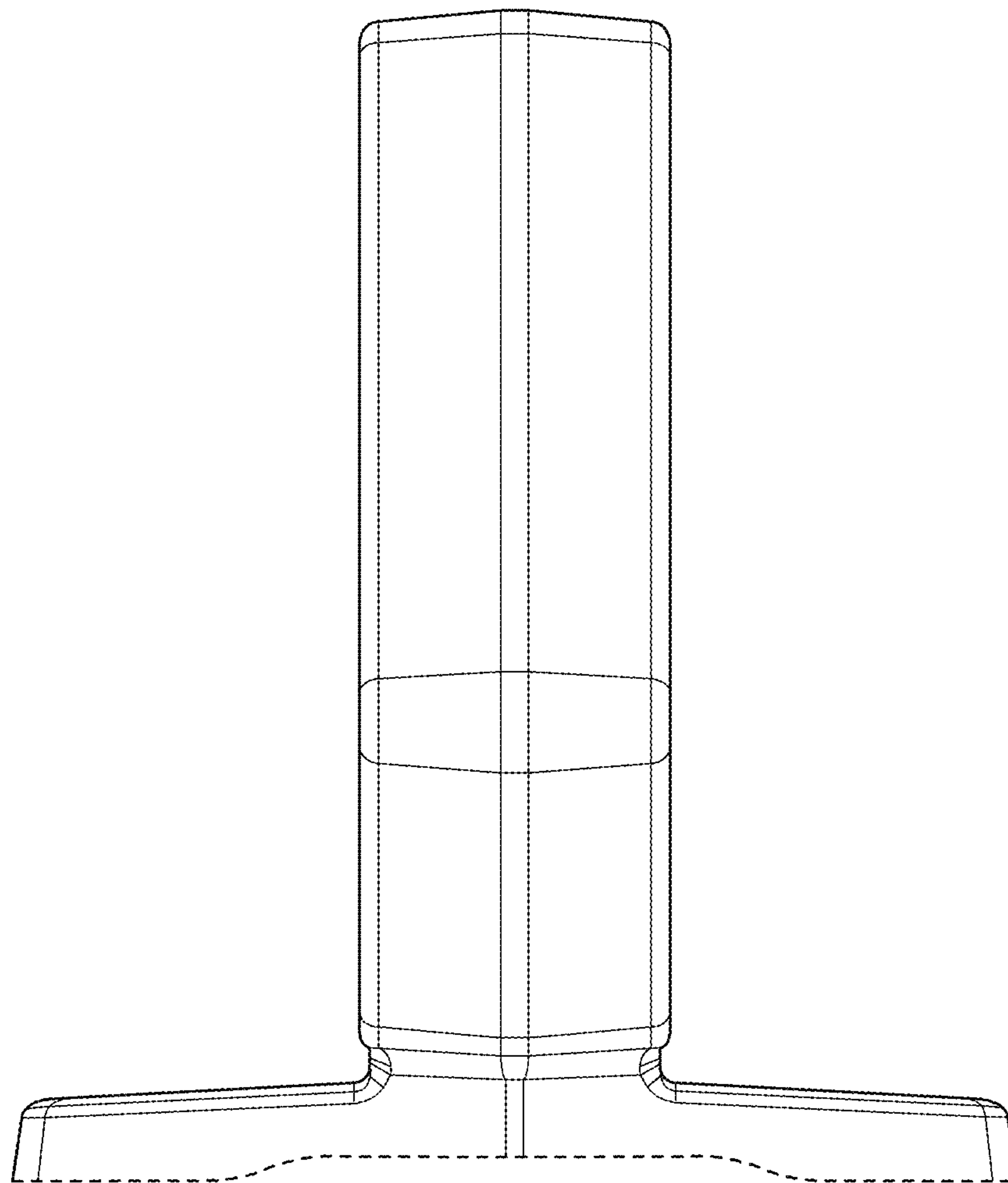


FIG. 4

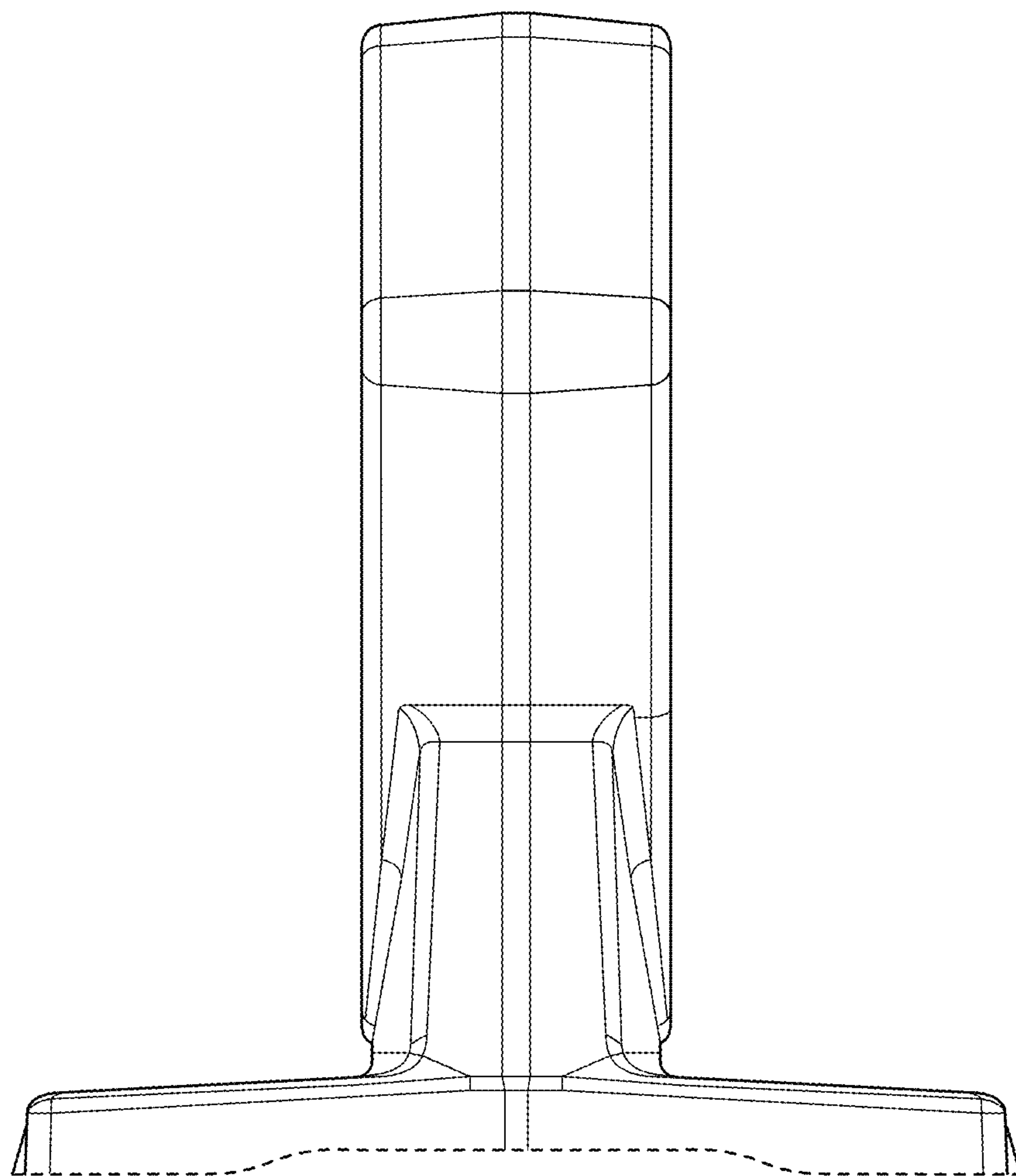


FIG. 5

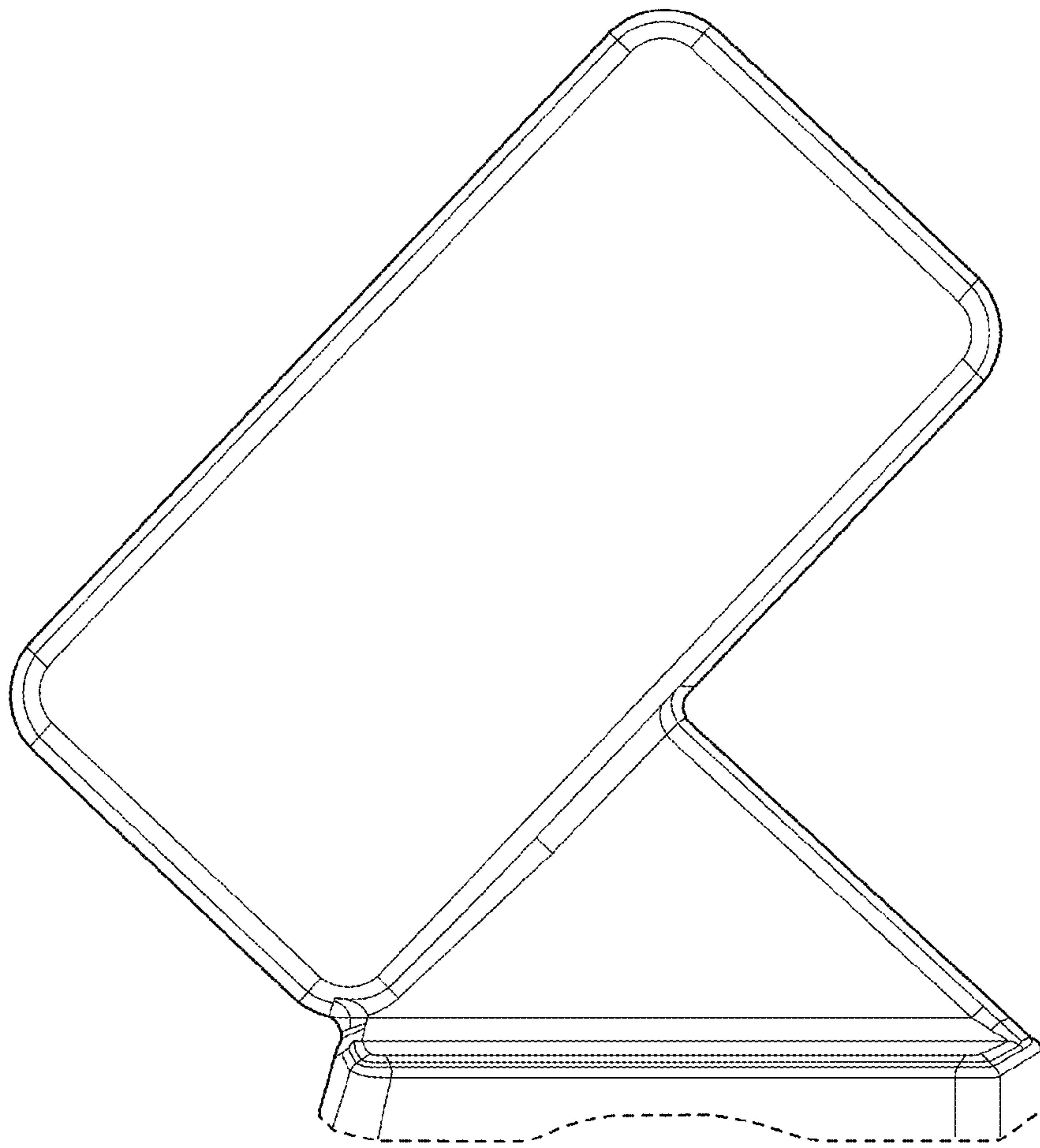


FIG. 6

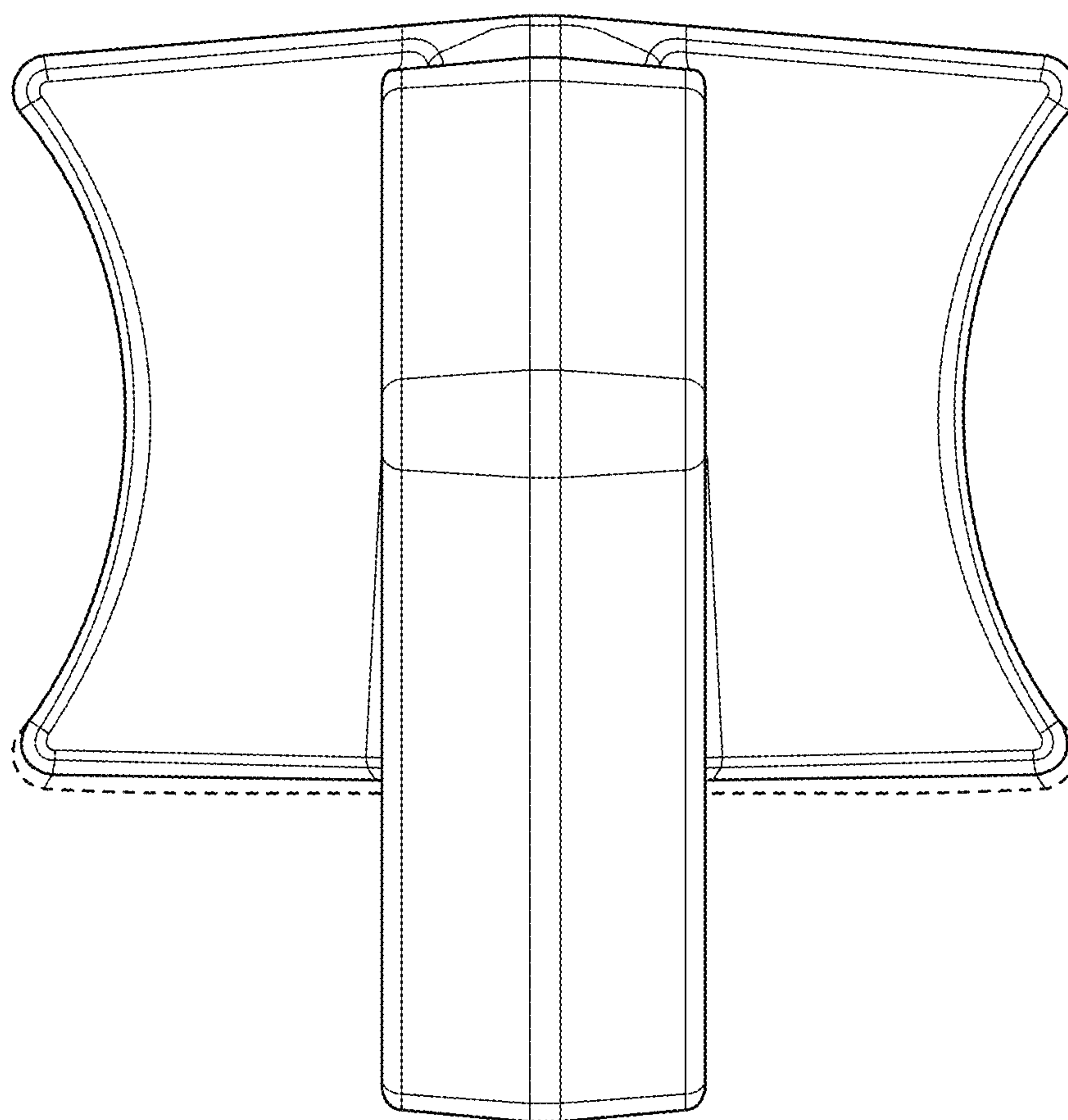


FIG. 7

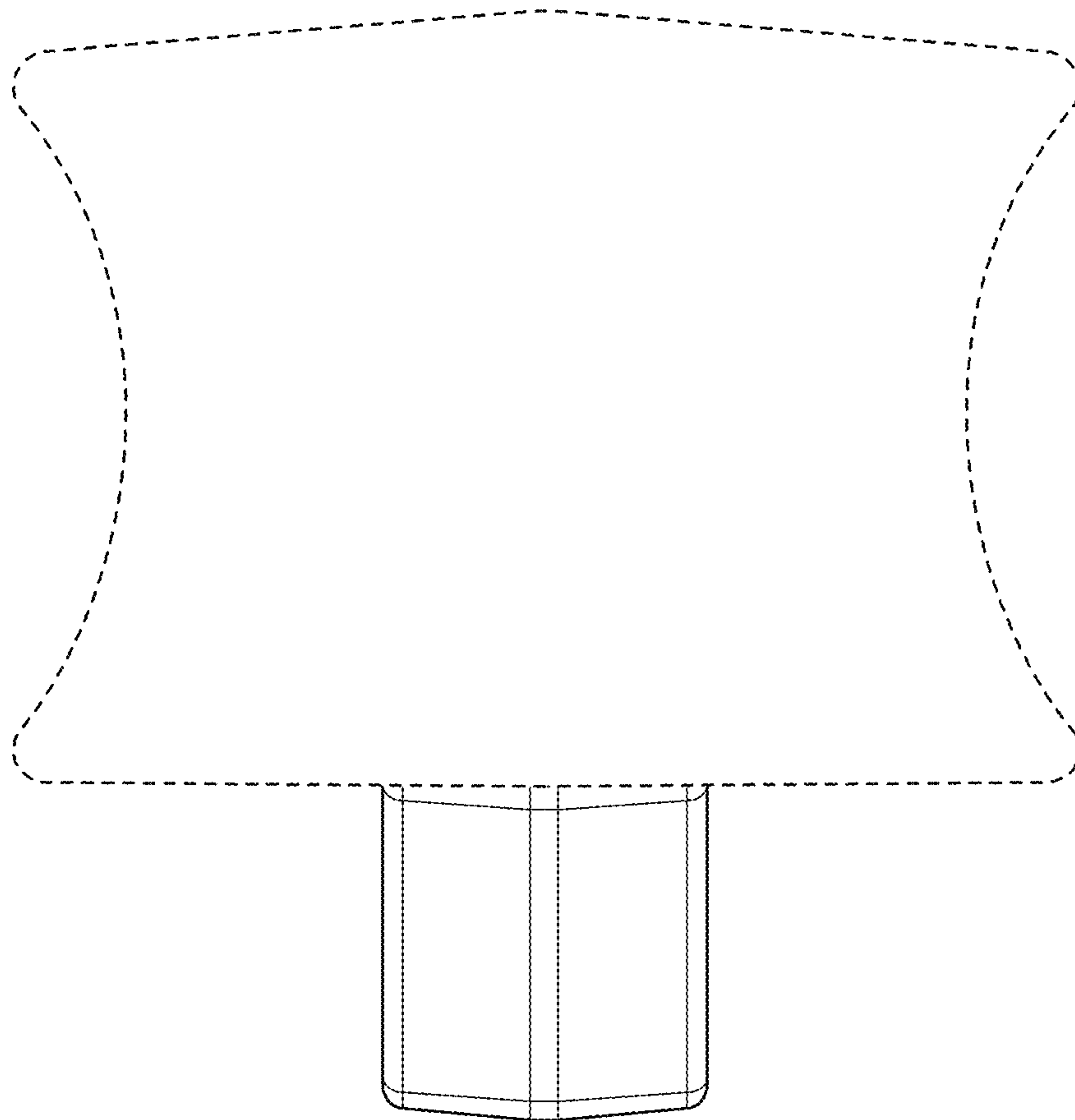


FIG. 8