



US00D754248S

(12) **United States Design Patent**  
**Jang et al.**

(10) **Patent No.:** **US D754,248 S**  
(45) **Date of Patent:** **\*\* Apr. 19, 2016**

(54) **TONER CARTRIDGE**

(71) Applicant: **Samsung Electronics Co., Ltd.**,  
Suwon-si (KR)

(72) Inventors: **Ho-Jin Jang**, Suwon-si (KR); **Ji-Won Moon**, Anyang-si (KR); **Seung-Chan Park**, Hwaseong-si (KR); **Sang-Hoon Lee**, Suwon-si (KR); **Dong-Cheol Ahn**, Yongin-si (KR); **Yong-II Moon**, Seoul (KR); **Dong-Geun Lee**, Busan (KR); **Yong-Kwan Cho**, Incheon (KR)

(73) Assignee: **SAMSUNG ELECTRONICS CO., LTD.** (KR)

(\*\*) Term: **14 Years**

(21) Appl. No.: **29/512,128**

(22) Filed: **Dec. 17, 2014**

(30) **Foreign Application Priority Data**

Jun. 17, 2014 (KR) ..... 30-2014-0029531

(51) **LOC (10) Cl.** ..... **16-03**

(52) **U.S. Cl.**  
USPC ..... **D18/43; D18/56**

(58) **Field of Classification Search**  
USPC ..... D18/18, 40, 43, 56, 99  
CPC ..... G03G 15/0832; G03G 15/0834; G03G 15/0836; G03G 15/0837; G03G 15/0867; G03G 15/0868; G03G 15/0872; G03G 15/0877; G03G 15/0898; G03G 15/50; G03G 15/5016; G03G 15/60; G03G 15/65

See application file for complete search history.

(56) **References Cited**

U.S. PATENT DOCUMENTS

D653,283	S	*	1/2012	Eto	.....	D18/43
D662,129	S	*	6/2012	Zeng	.....	D18/43
D666,665	S	*	9/2012	Kweon	.....	D18/43
D693,400	S	*	11/2013	Boettcher	.....	D18/43
D706,339	S	*	6/2014	Choi	.....	D18/43

\* cited by examiner

*Primary Examiner* — Daniel Bui

*Assistant Examiner* — Khawaja Anwar

(74) *Attorney, Agent, or Firm* — Cantor Colburn LLP

(57) **CLAIM**

We claim, the ornamental design for a toner cartridge, as shown and described.

**DESCRIPTION**

FIG. 1 is a front perspective view of a toner cartridge showing our new design;

FIG. 2 is a front view thereof;

FIG. 3 is a rear view thereof;

FIG. 4 is a left-side view thereof;

FIG. 5 is a right-side view thereof;

FIG. 6 is a top view thereof;

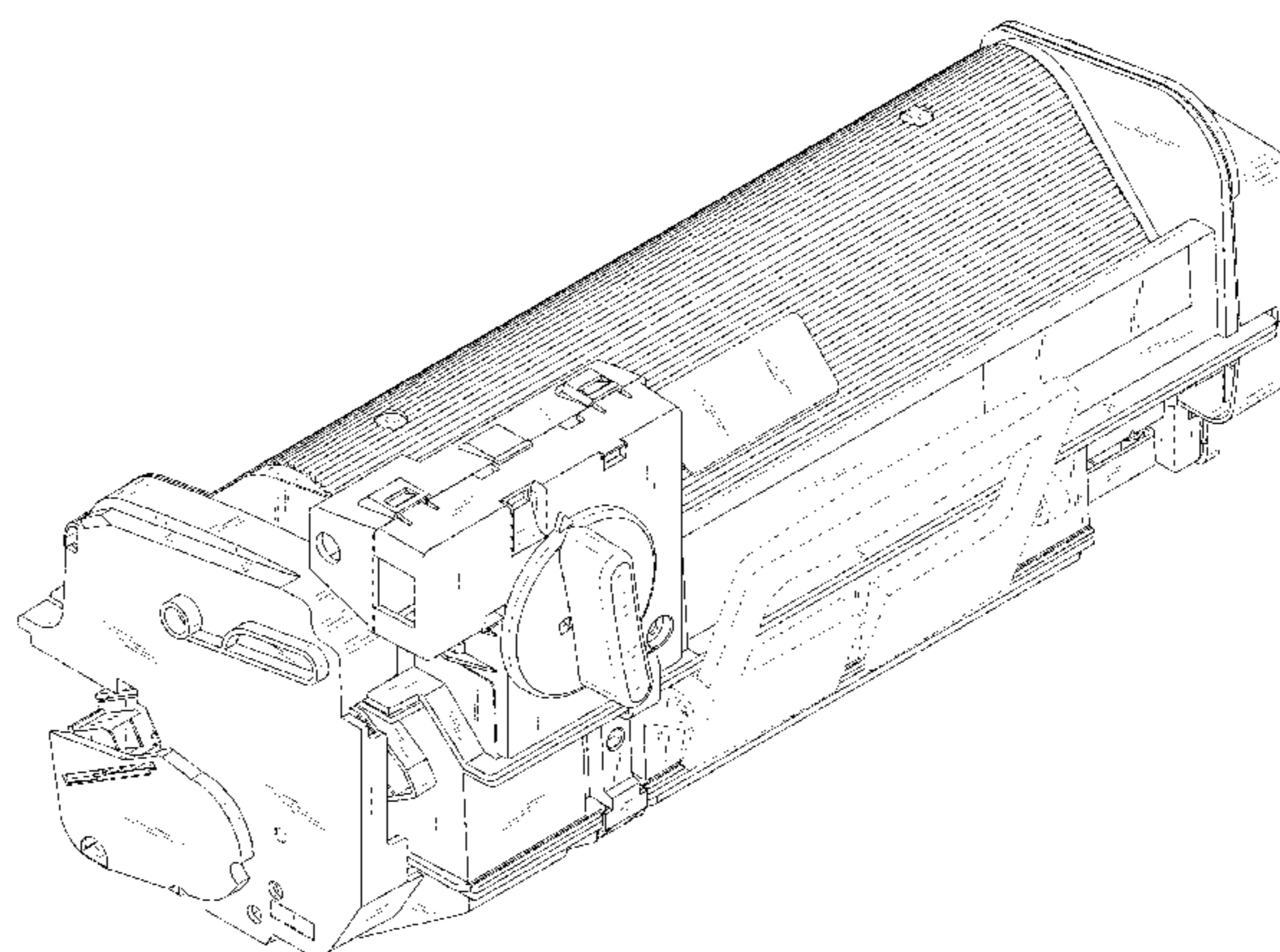
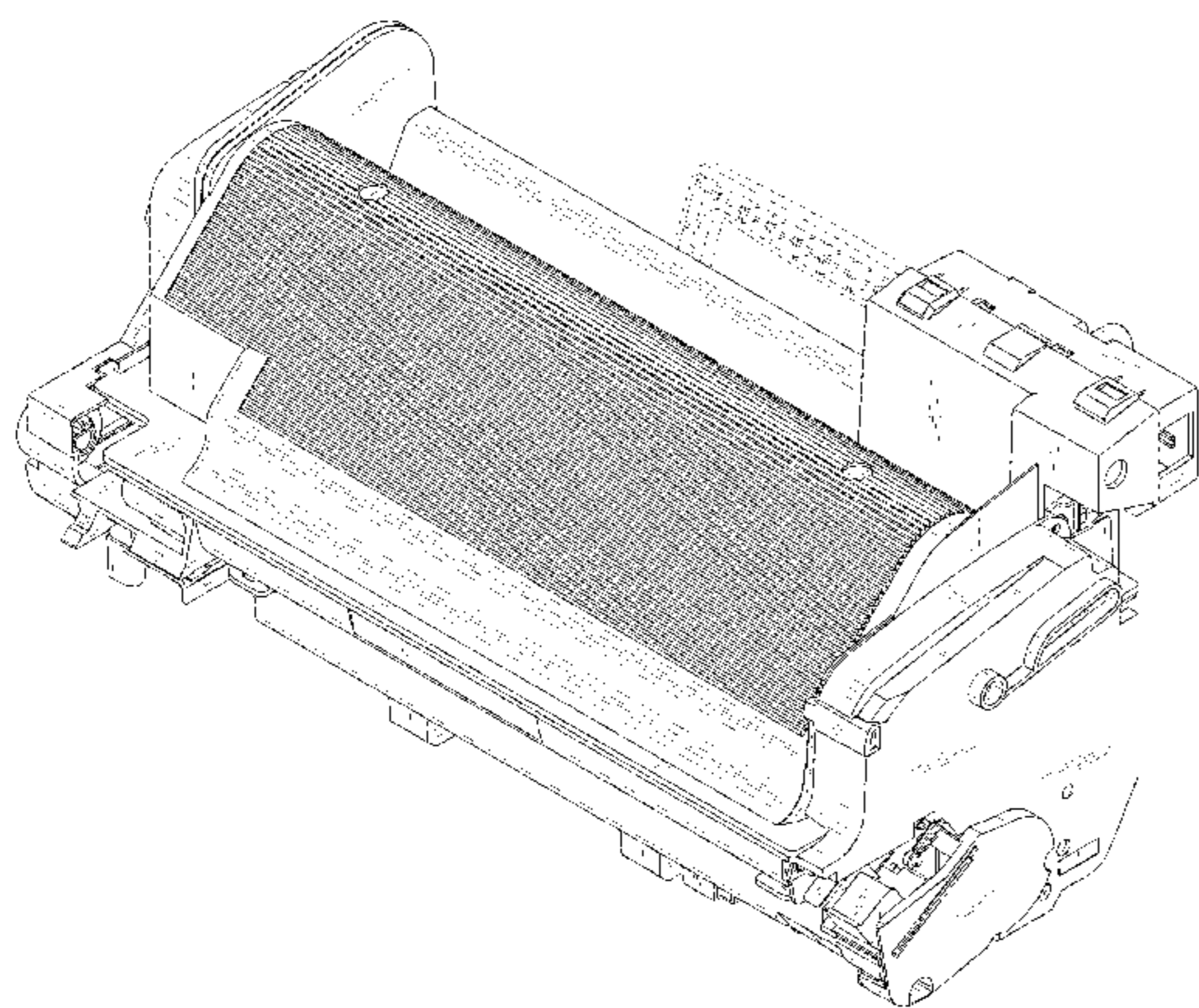
FIG. 7 is a bottom view thereof;

FIG. 8 is a rear perspective view thereof; and,

FIG. 9 is a bottom perspective view thereof.

The broken lines illustrating portions of the toner cartridge are for environmental purposes only and form no part of the claimed design.

**1 Claim, 9 Drawing Sheets**





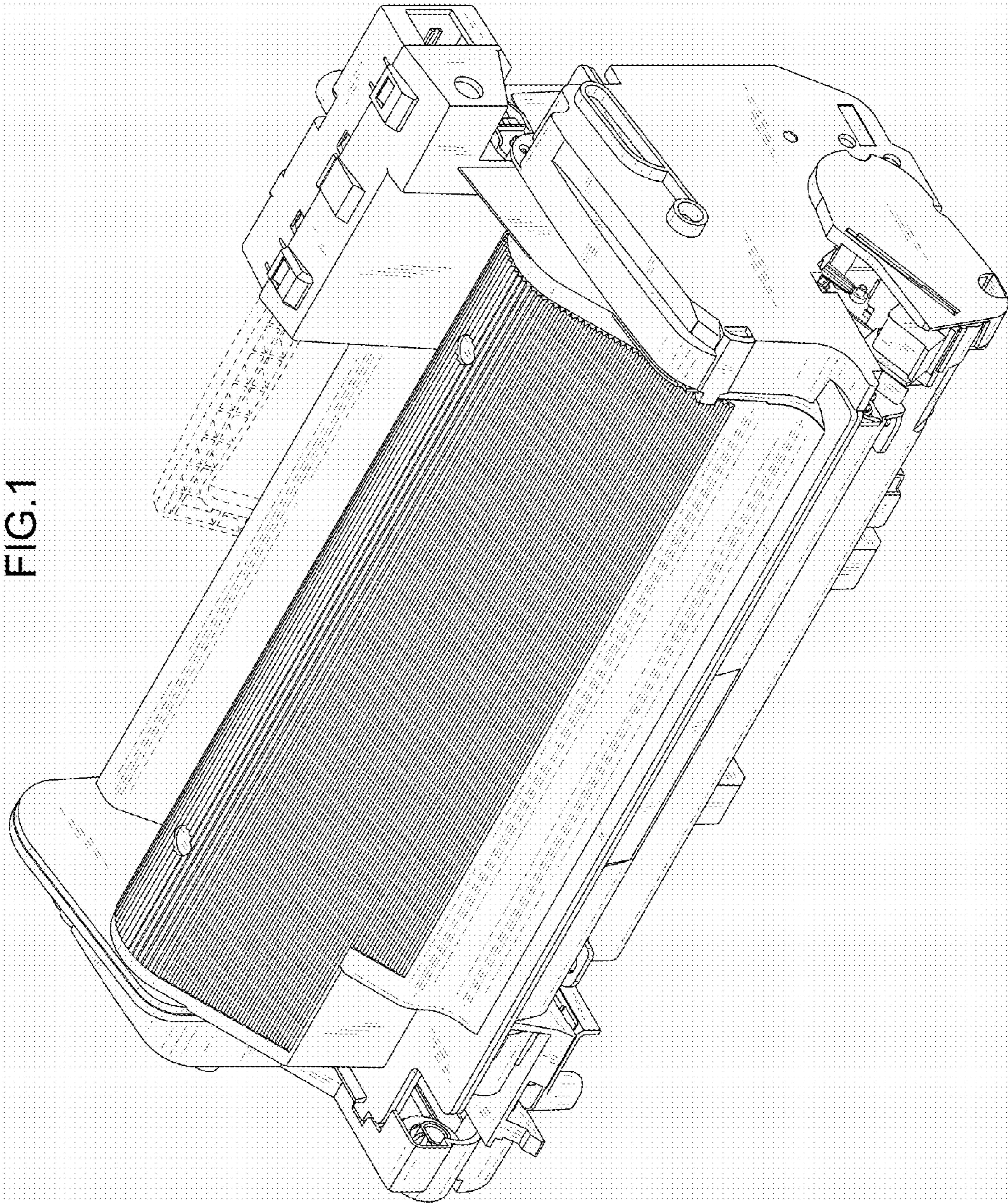


FIG.1



FIG.2

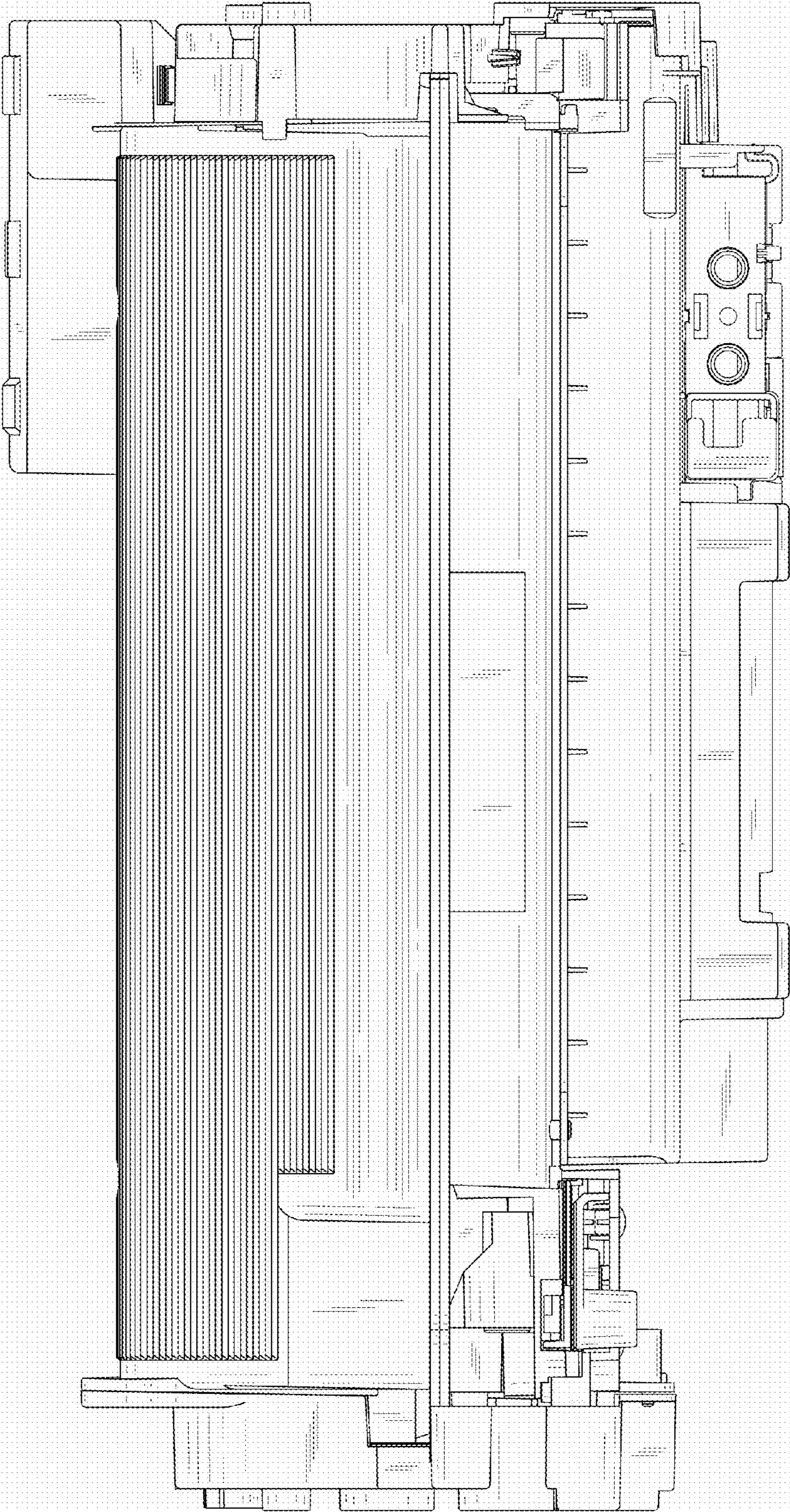




FIG.3

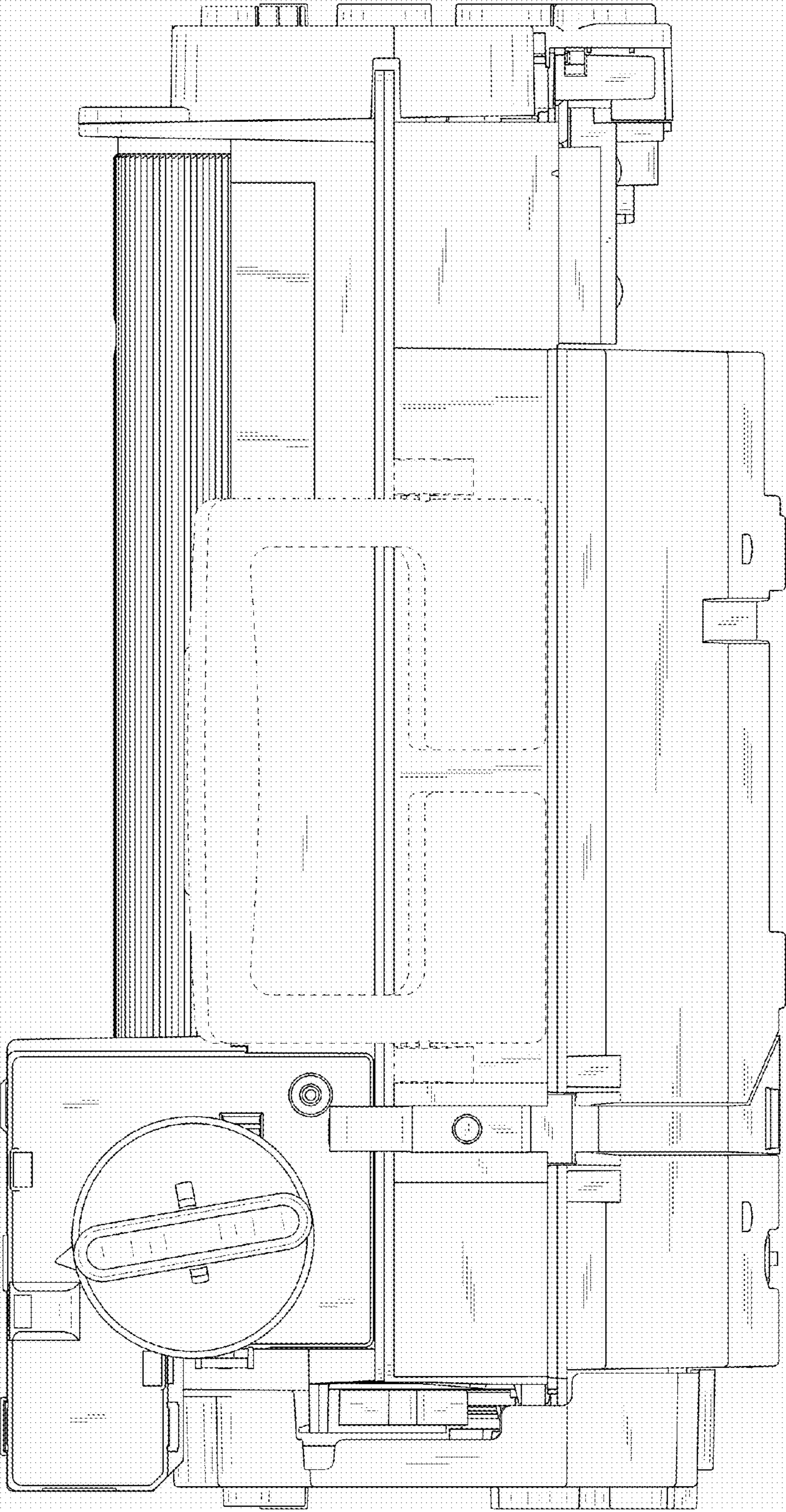


FIG.4

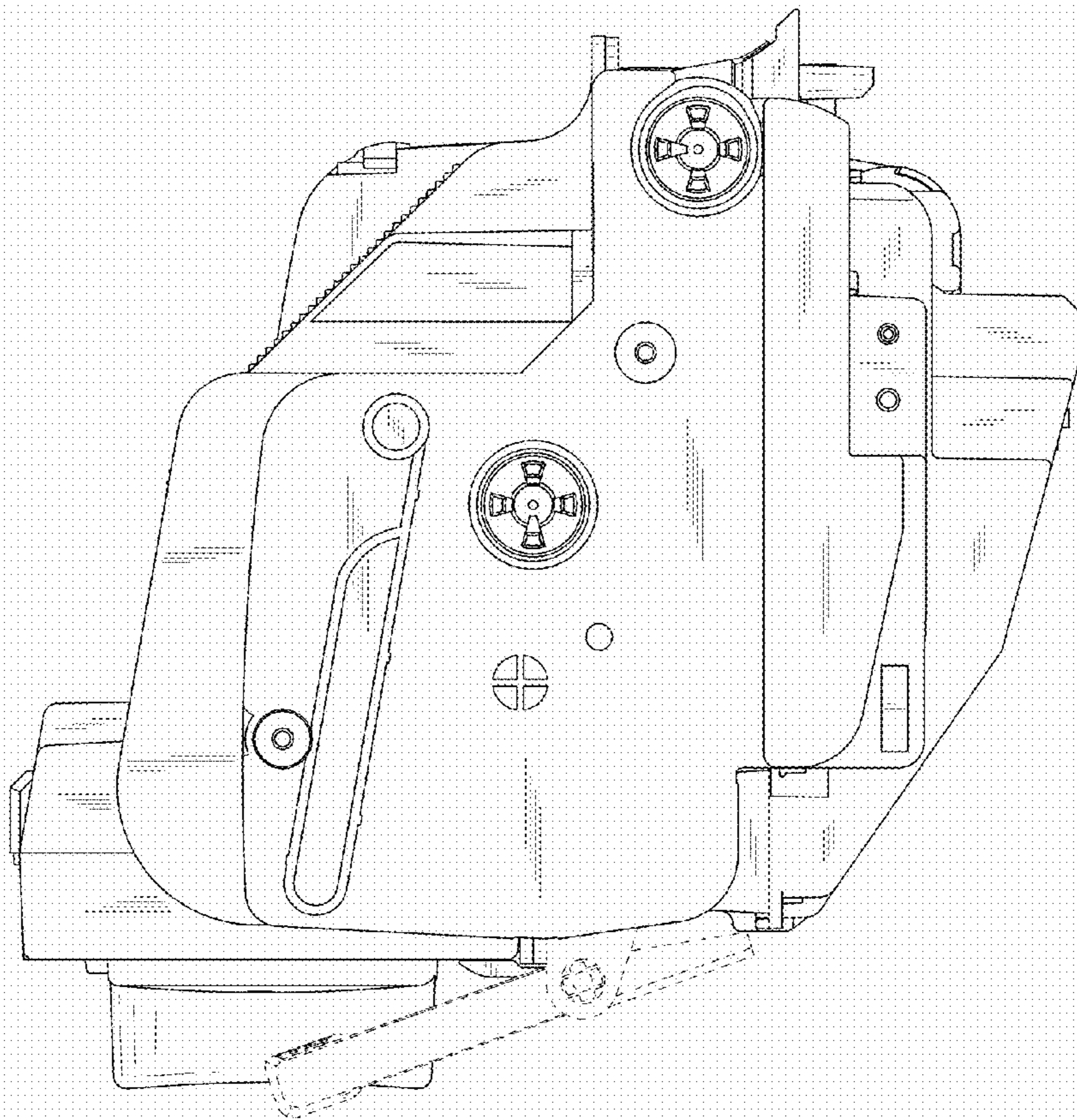




FIG.5

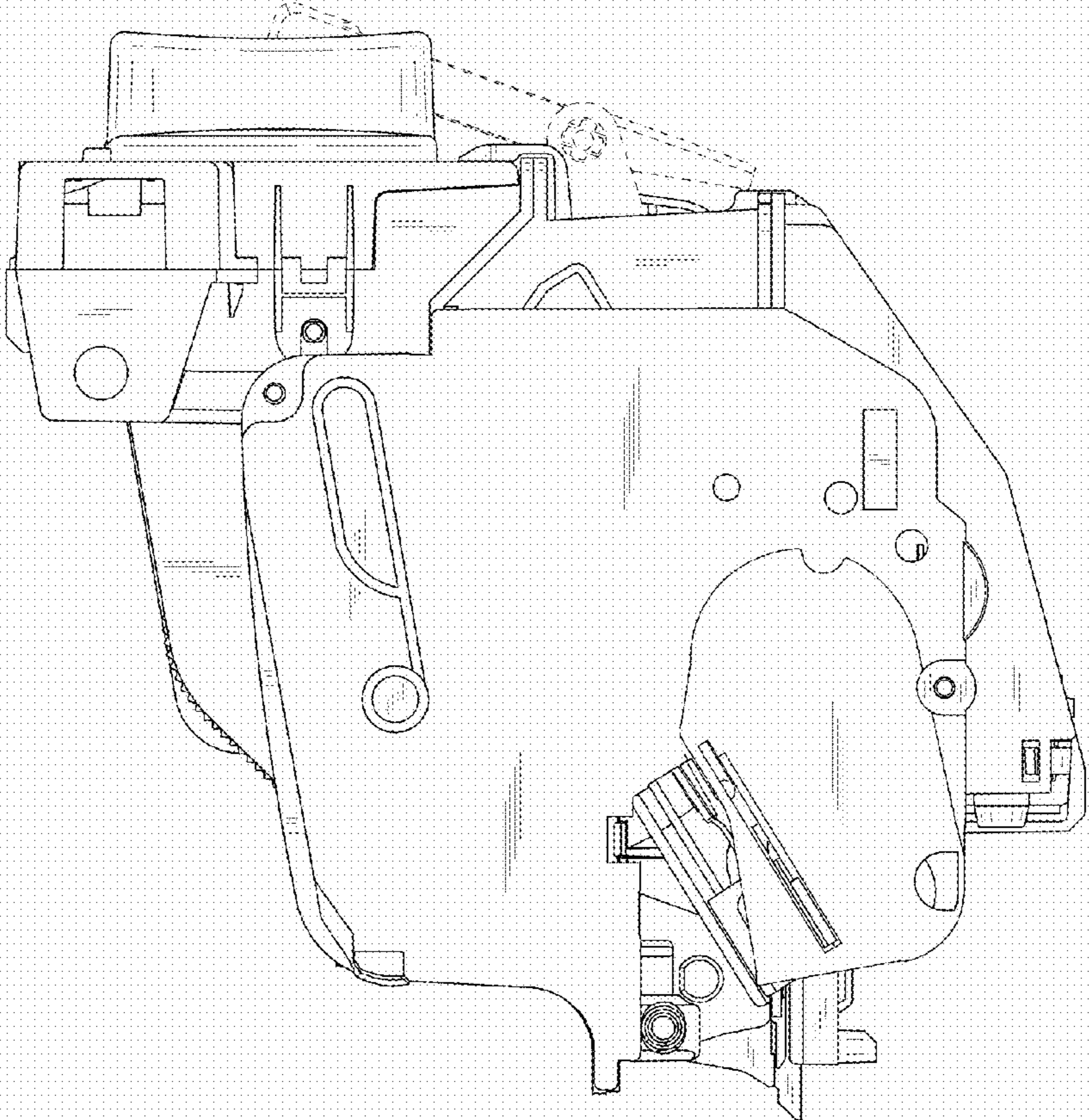




FIG.6

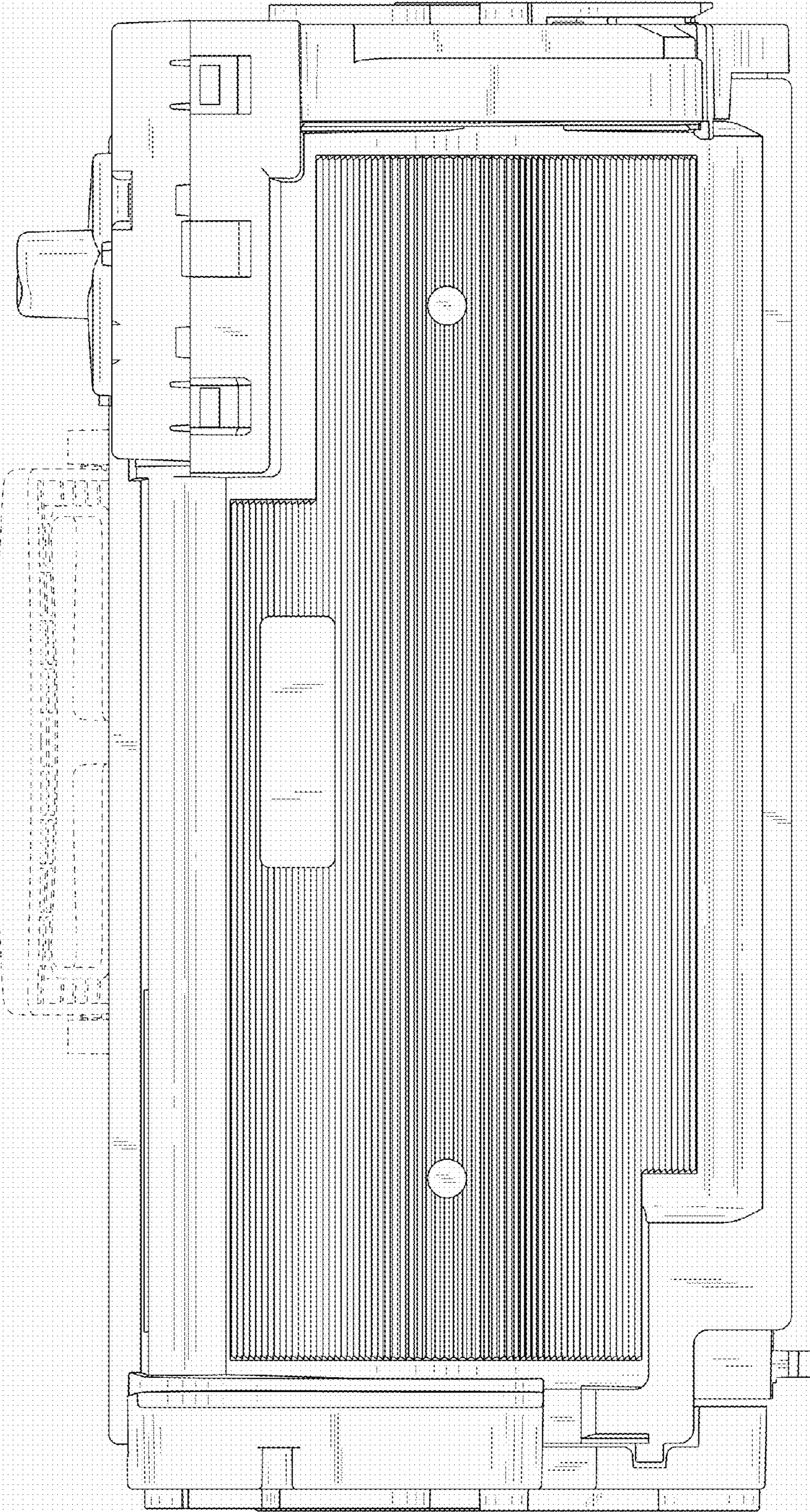
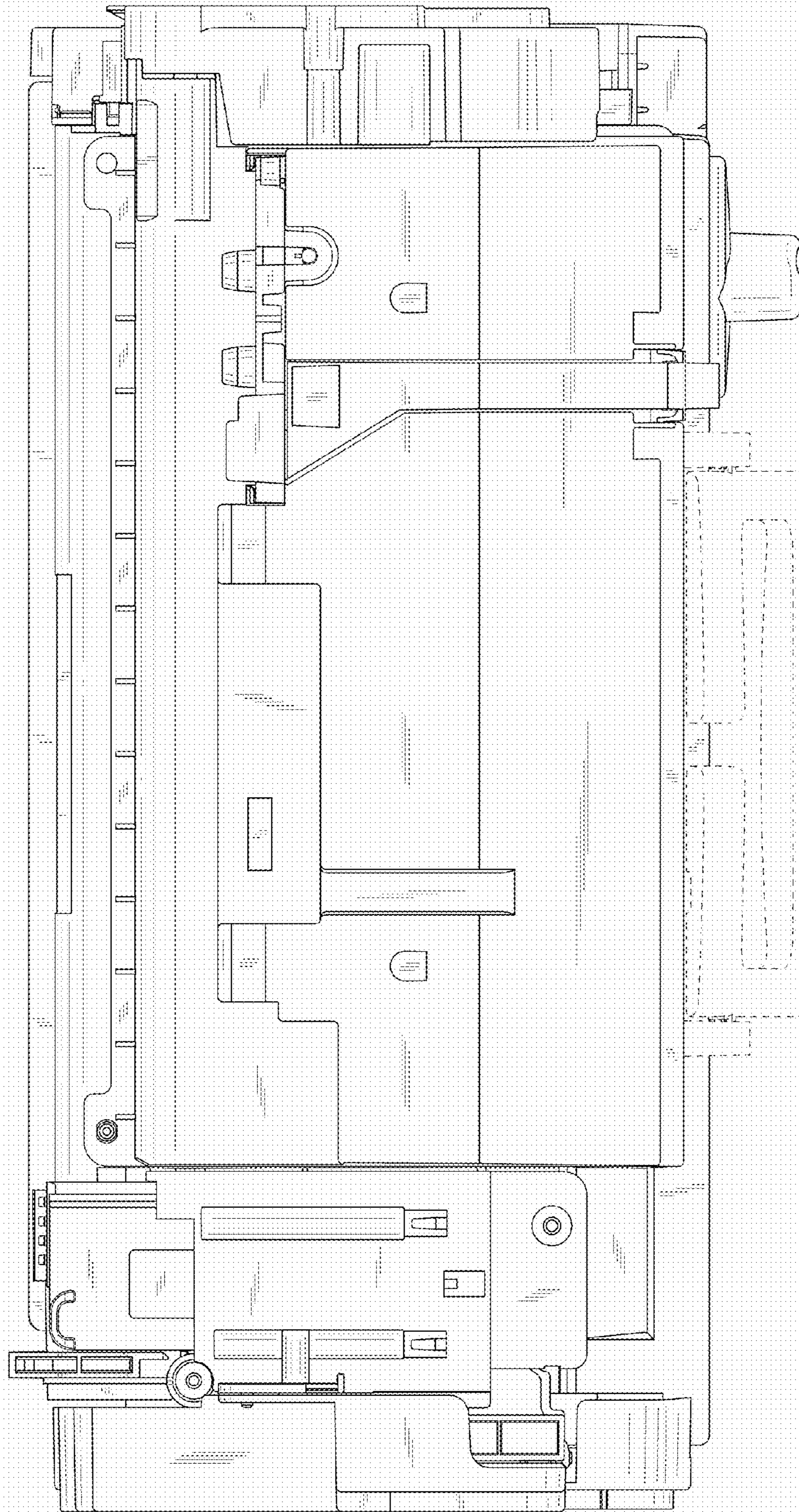




FIG. 7





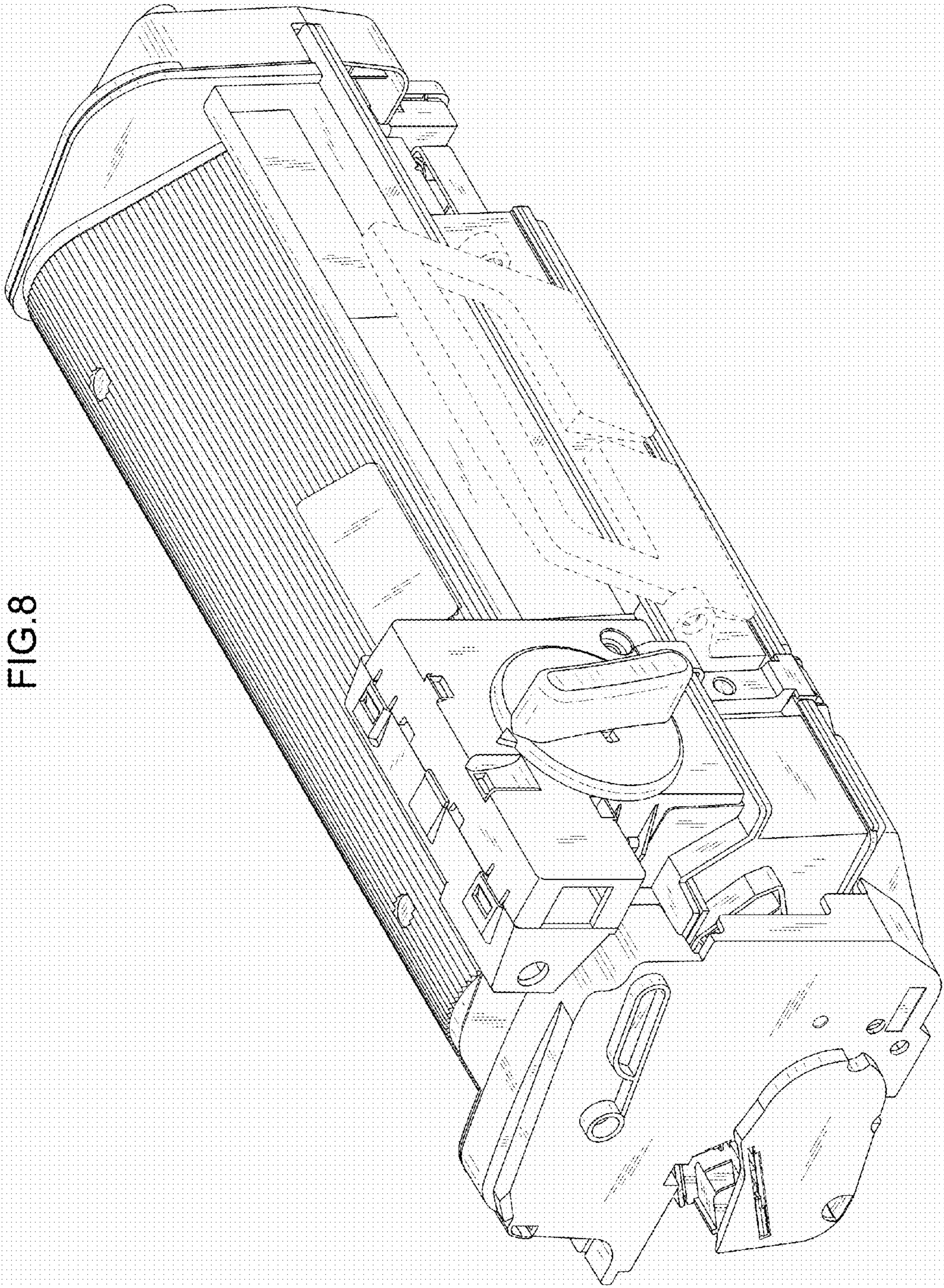


FIG.8



FIG. 9

