



US00D754247S

(12) **United States Design Patent**
Lee et al.

(10) **Patent No.:** **US D754,247 S**
(45) **Date of Patent:** **** Apr. 19, 2016**

(54) **TONER CARTRIDGE**

(56) **References Cited**

(71) Applicant: **Samsung Electronics Co., Ltd.**,
Suwon-si (KR)
(72) Inventors: **Sang-Hoon Lee**, Suwon-si (KR);
Ji-Won Moon, Anyang-si (KR); **Ho-Jin**
Jang, Suwon-si (KR); **Seung-Chan**
Park, Hwaseong-si (KR); **Dong-Cheol**
Ahn, Yongin-si (KR); **Yong-II Moon**,
Seoul (KR); **Dong-Geun Lee**, Busan
(KR); **Yong-Kwan Cho**, Incheon (KR)
(73) Assignee: **SAMSUNG ELECTRONICS CO.,**
LTD. (KR)

U.S. PATENT DOCUMENTS

D523,896 S * 6/2006 Ishii D18/43
D550,766 S * 9/2007 Takagi D18/43
D617,828 S * 6/2010 Kurenuma D18/43
D736,851 S * 8/2015 Kang D18/43
D740,357 S * 10/2015 Arasawa D18/43

* cited by examiner

Primary Examiner — Daniel Bui
Assistant Examiner — Khawaja Anwar
(74) *Attorney, Agent, or Firm* — Cantor Colburn LLP

(**) Term: **14 Years**
(21) Appl. No.: **29/512,106**
(22) Filed: **Dec. 16, 2014**

(57) **CLAIM**
We claim, the ornamental design for a toner cartridge, as
shown and described.

(30) **Foreign Application Priority Data**
Jun. 17, 2014 (KR) 30-2014-0029529
(51) **LOC (10) Cl.** **16-03**
(52) **U.S. Cl.**
USPC **D18/43; D18/56**
(58) **Field of Classification Search**
USPC D18/18, 40, 43, 56, 99
CPC G03G 15/0832; G03G 15/0834; G03G
15/0836; G03G 15/0837; G03G 15/0867;
G03G 15/0868; G03G 15/0872; G03G
15/0877; G03G 15/0898; G03G 15/50;
G03G 15/5016; G03G 15/60; G03G 15/65
See application file for complete search history.

DESCRIPTION

FIG. 1 is a front perspective view of a toner cartridge showing
our new design;
FIG. 2 is a front view thereof;
FIG. 3 is a rear view thereof;
FIG. 4 is a left-side view thereof;
FIG. 5 is a right-side view thereof;
FIG. 6 is a top view thereof;
FIG. 7 is a bottom view thereof;
FIG. 8 is an enlarged view of portion 8 encircled in FIG. 2;
FIG. 9 is an enlarged view of portion 9 encircled in FIG. 2;
FIG. 10 is an enlarged view of portion 10 encircled in FIG. 2;
FIG. 11 is an enlarged view of portion 11 encircled in FIG. 2;
and,
FIG. 12 is an enlarged view of portion 12 encircled in FIG. 2.
The broken lines illustrating portions of the toner cartridge
are for environmental purposes only and form no part of the
claimed design. The dot-dash broken lines define boundaries
of the claimed design and form no part thereof. The dot-dot-
dash broken lines encircling portions of the claimed design
that are illustrated in enlargements form no part of the
claimed design.

1 Claim, 8 Drawing Sheets

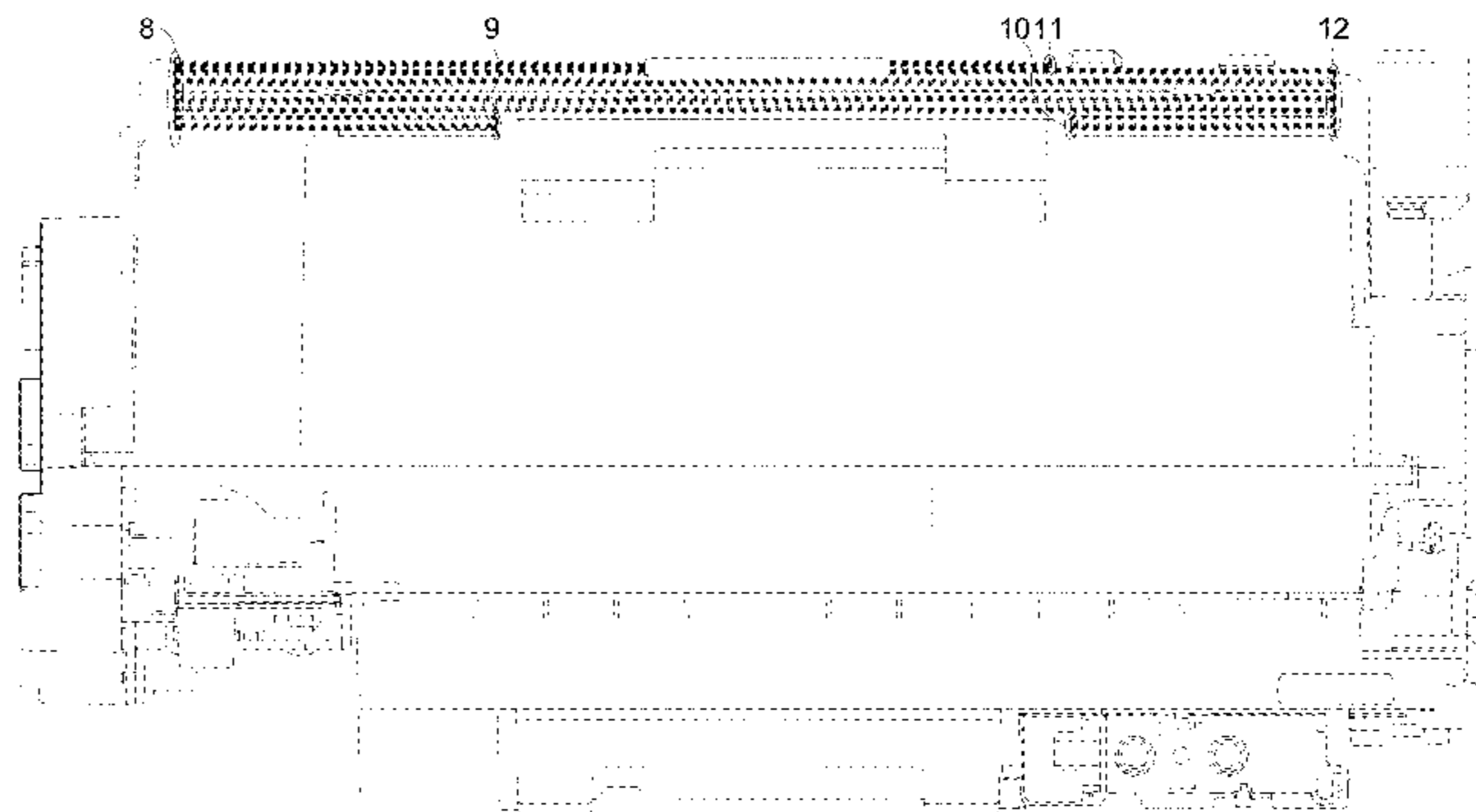
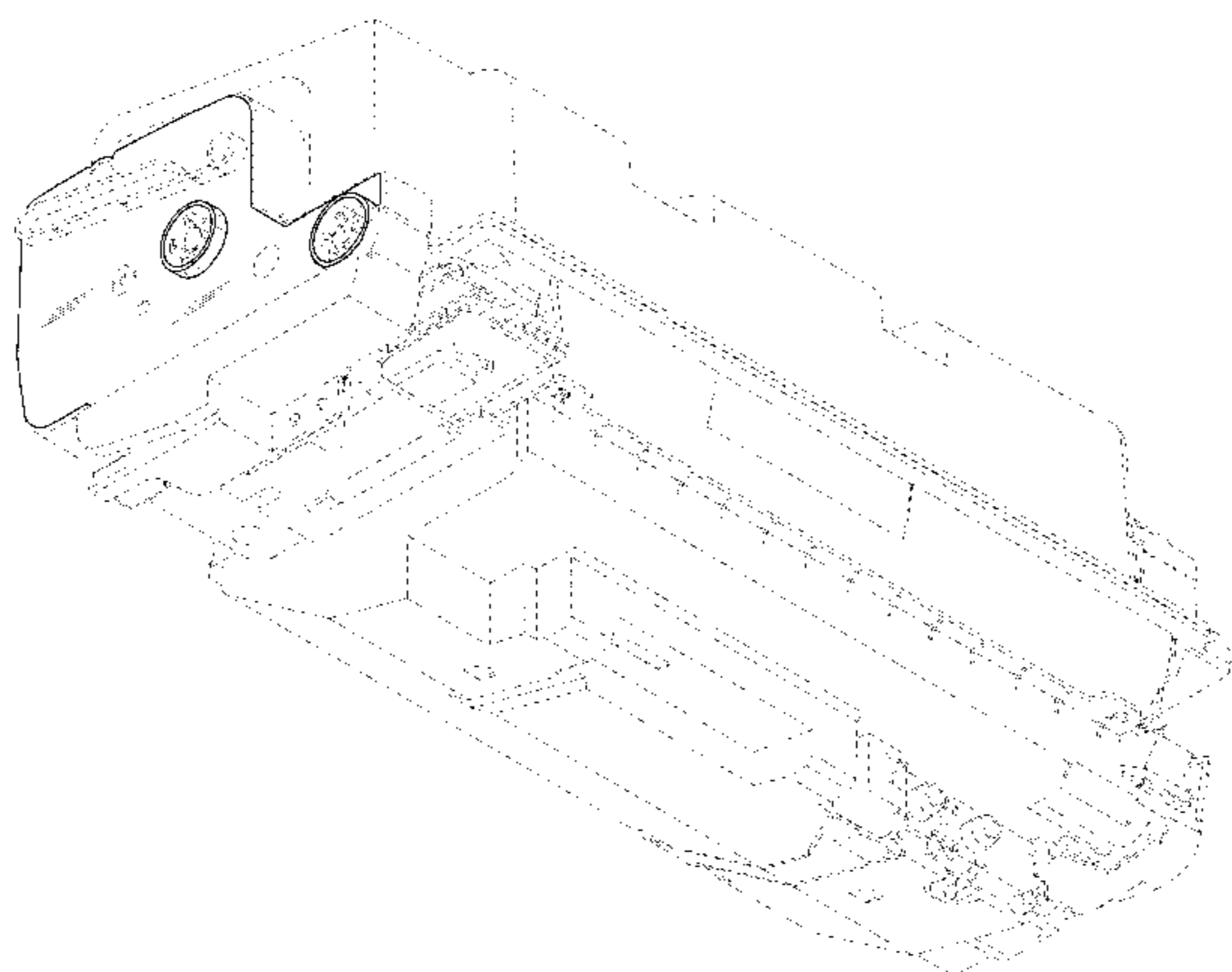


FIG.1

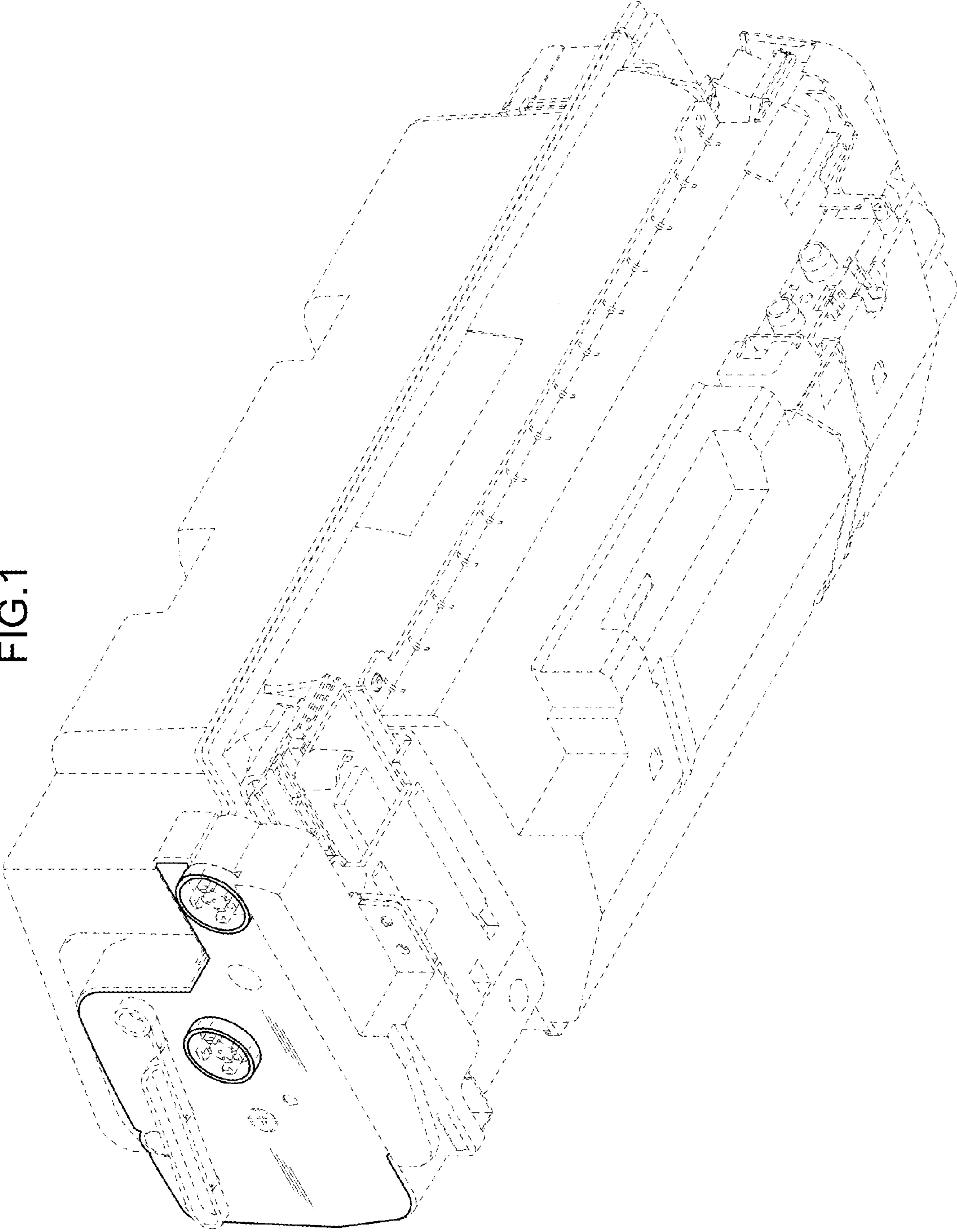


FIG.2

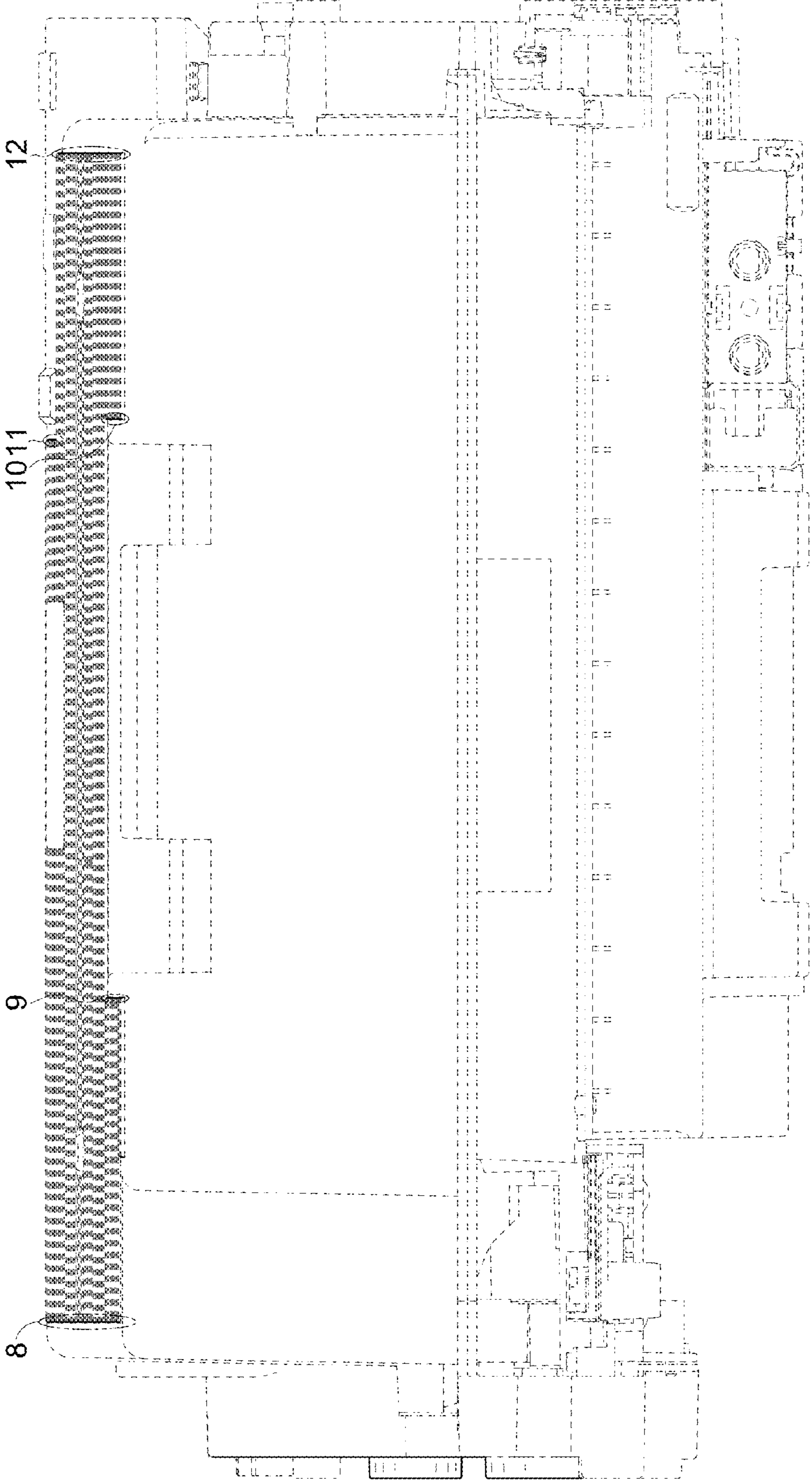


FIG.3

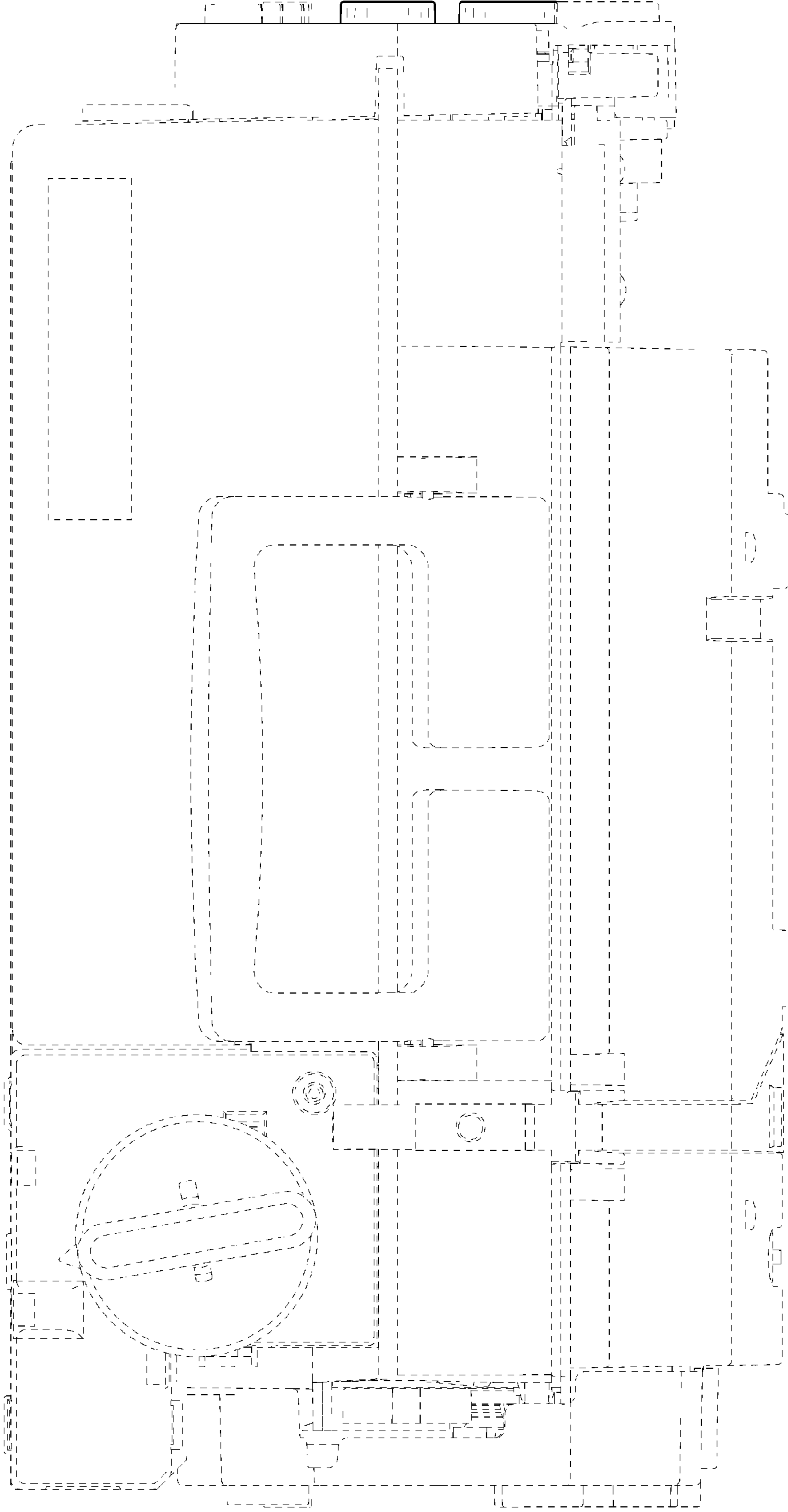


FIG.4

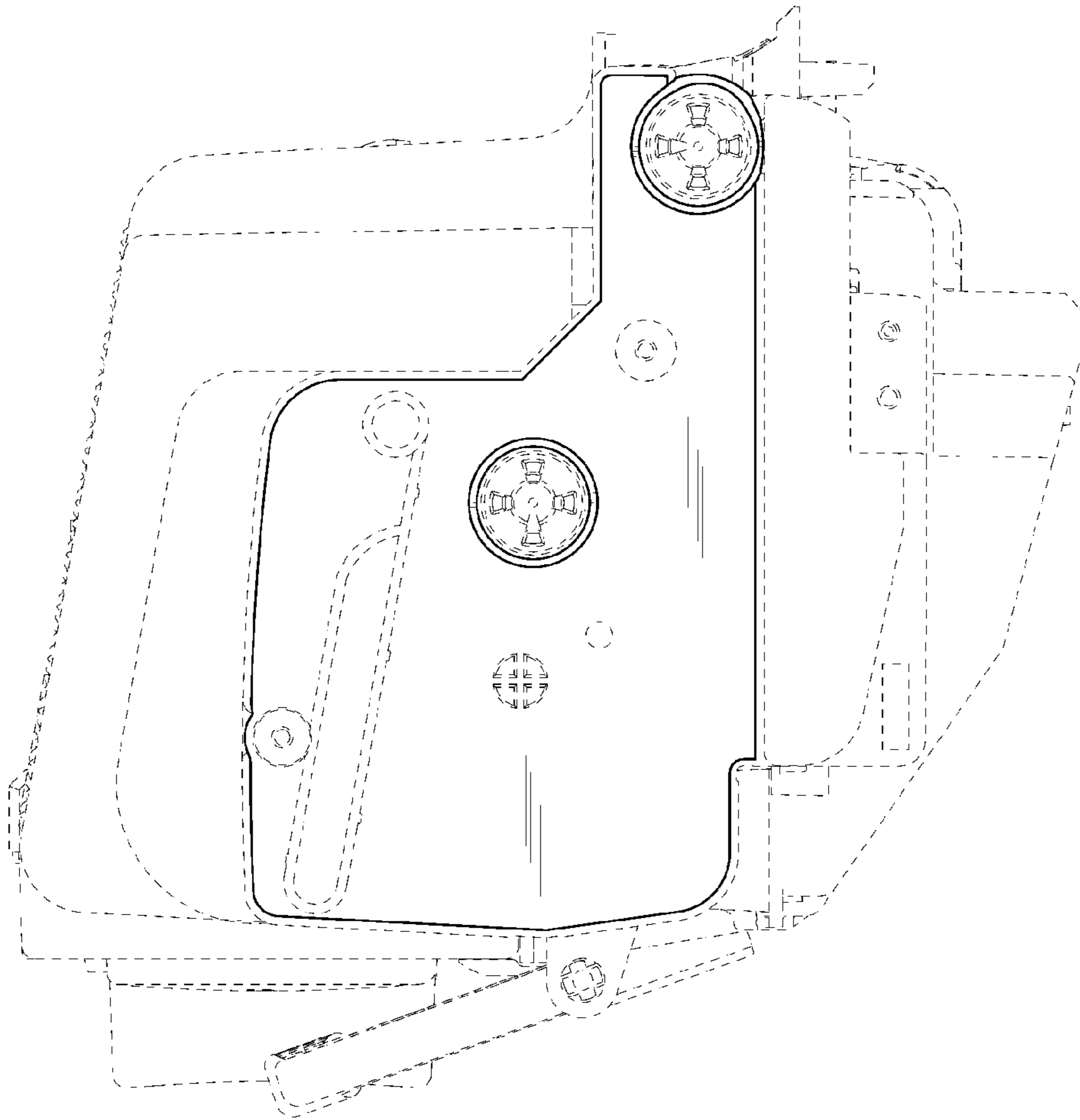


FIG.5

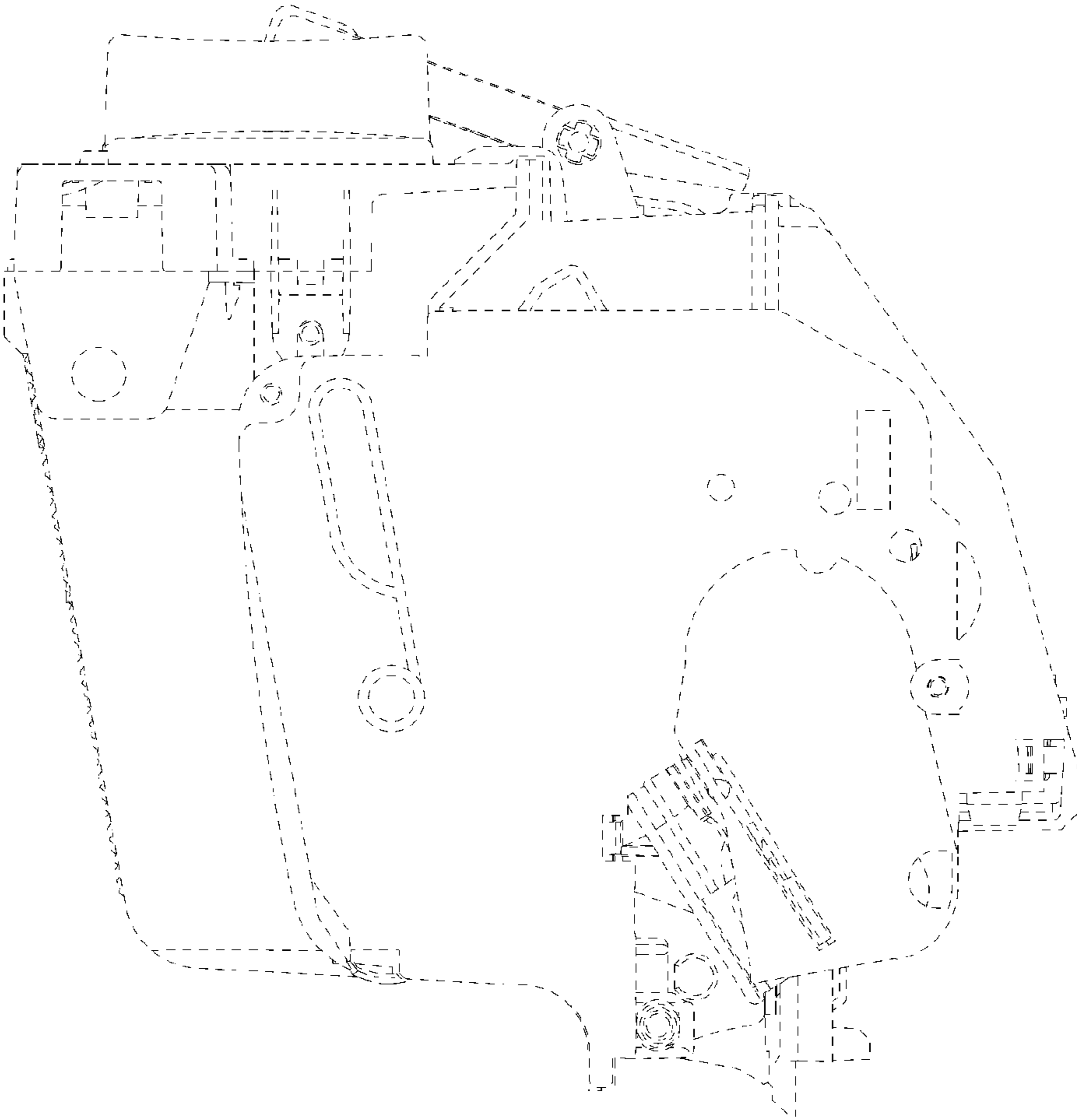


FIG.6

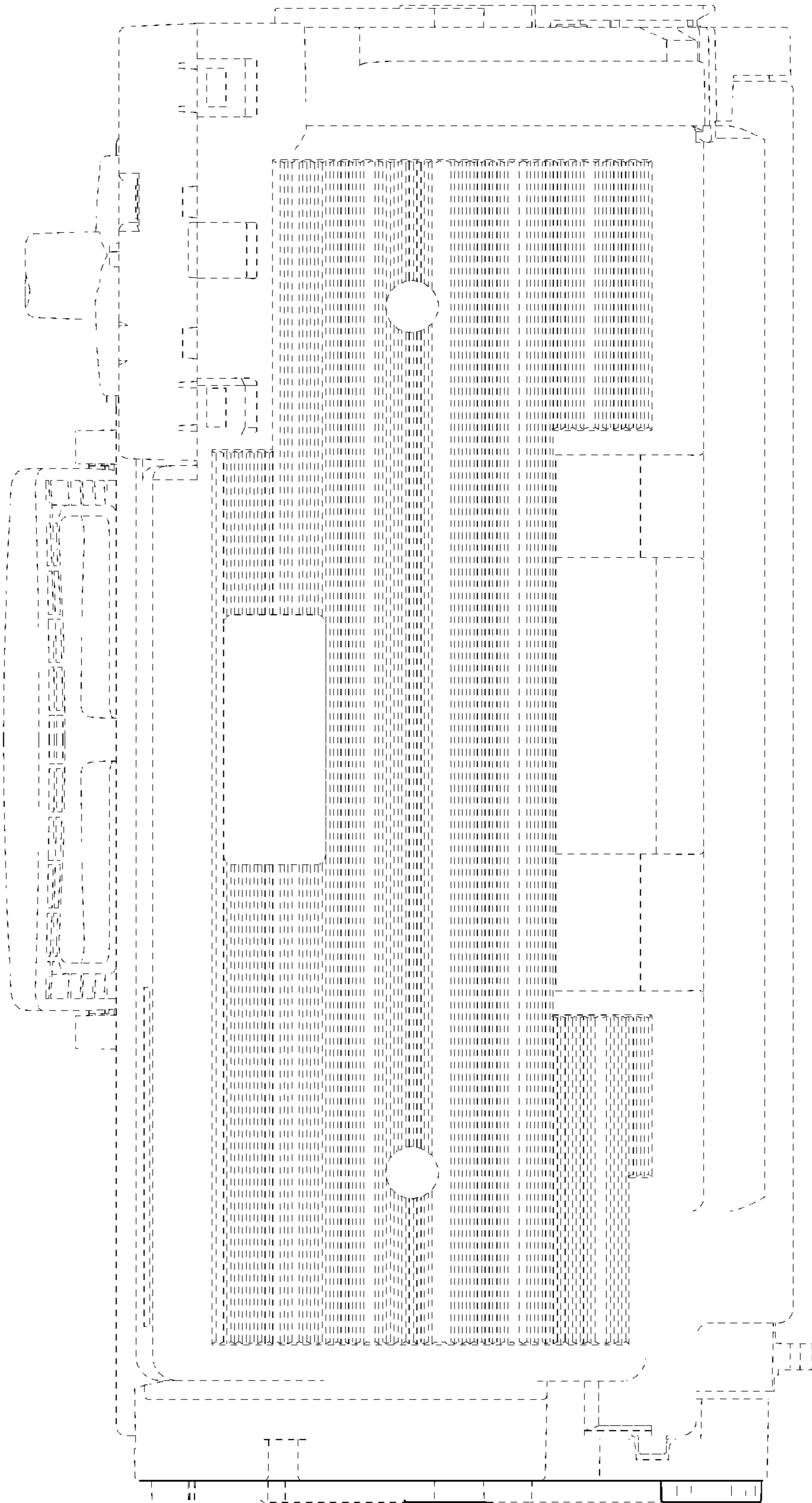


FIG. 7

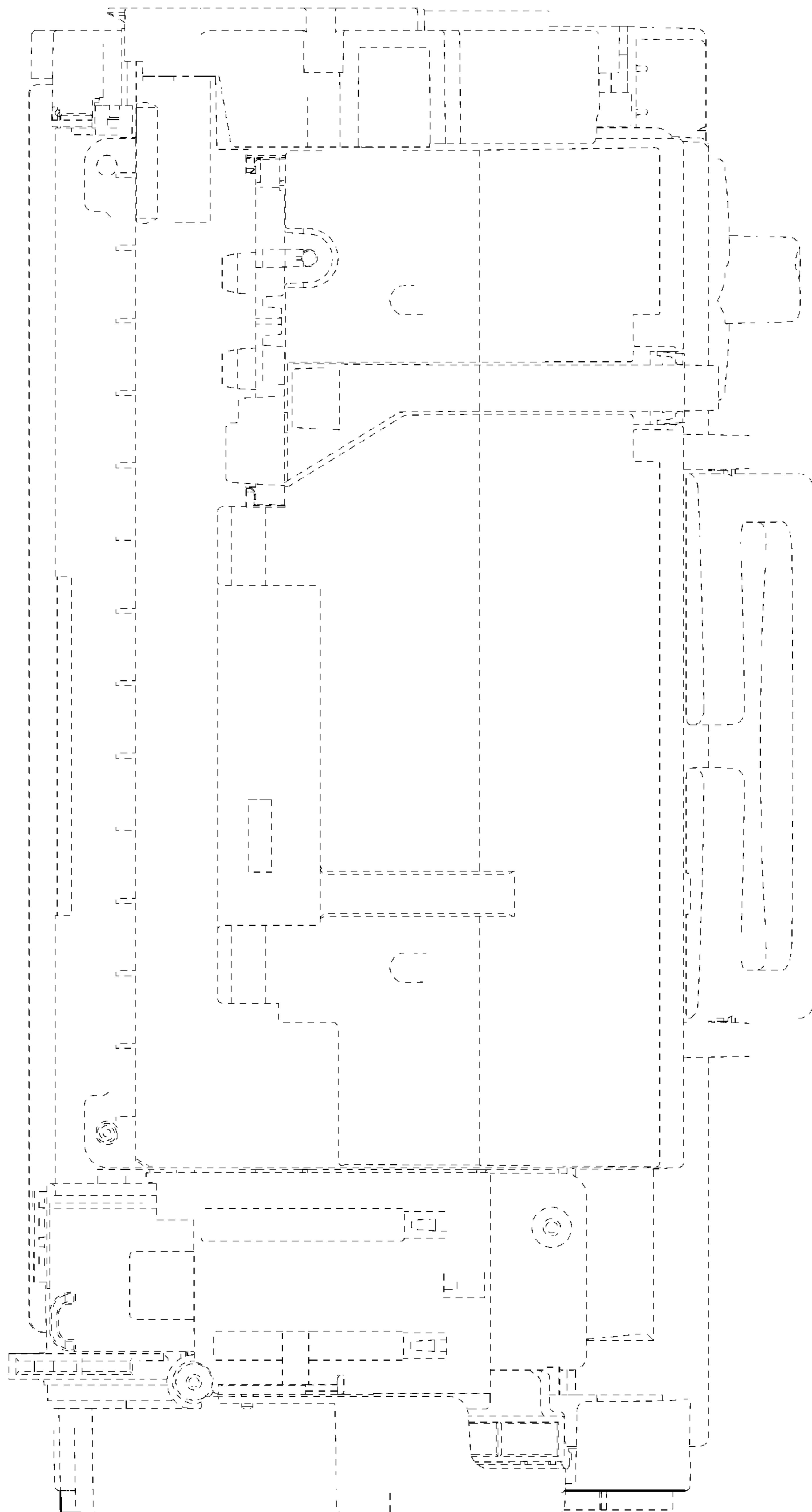


FIG.12

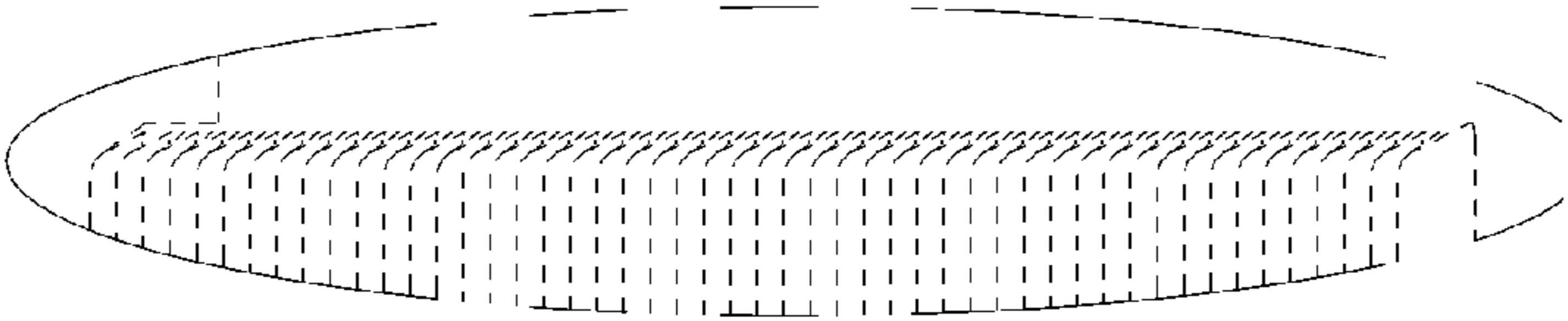


FIG.11

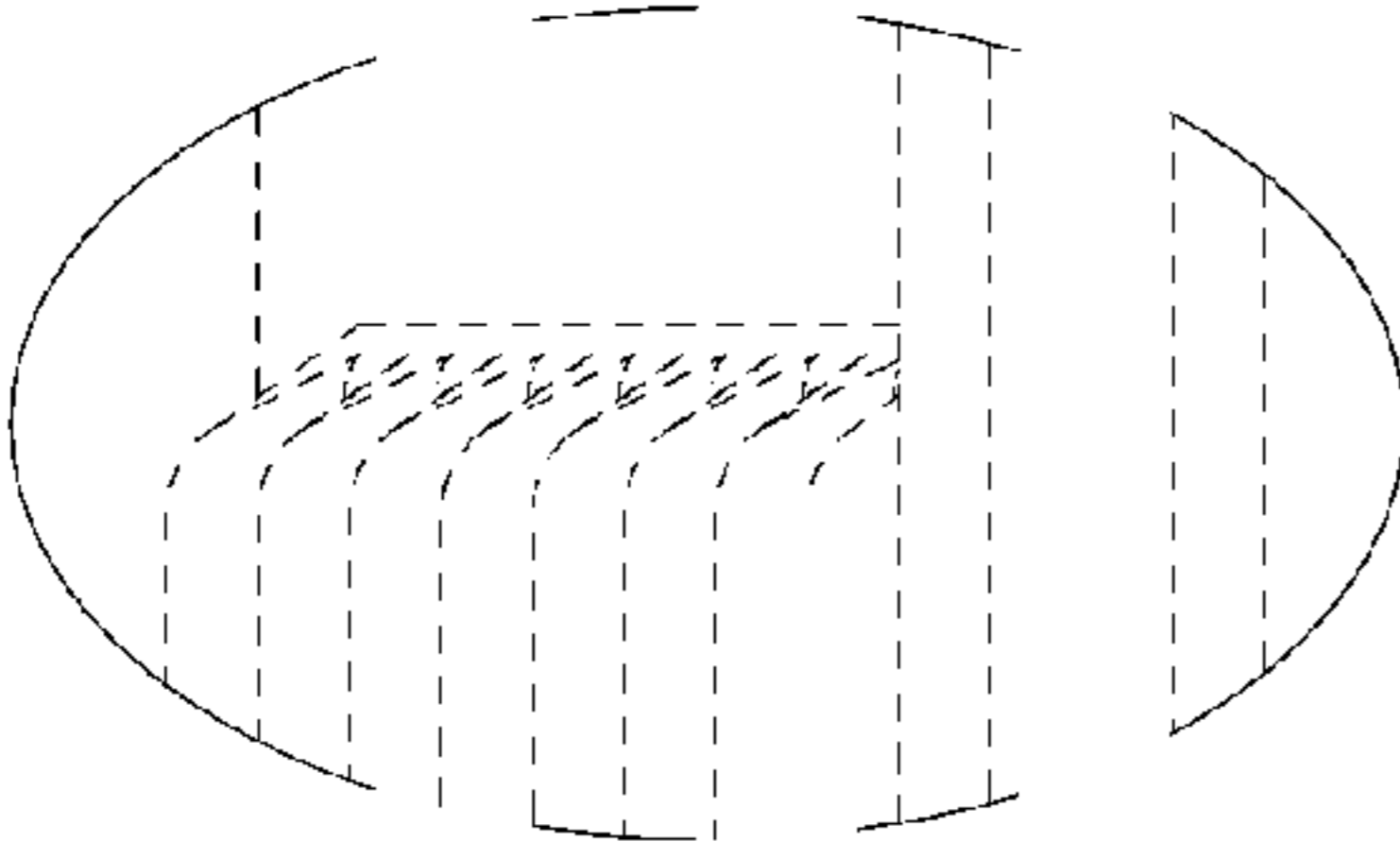


FIG.10

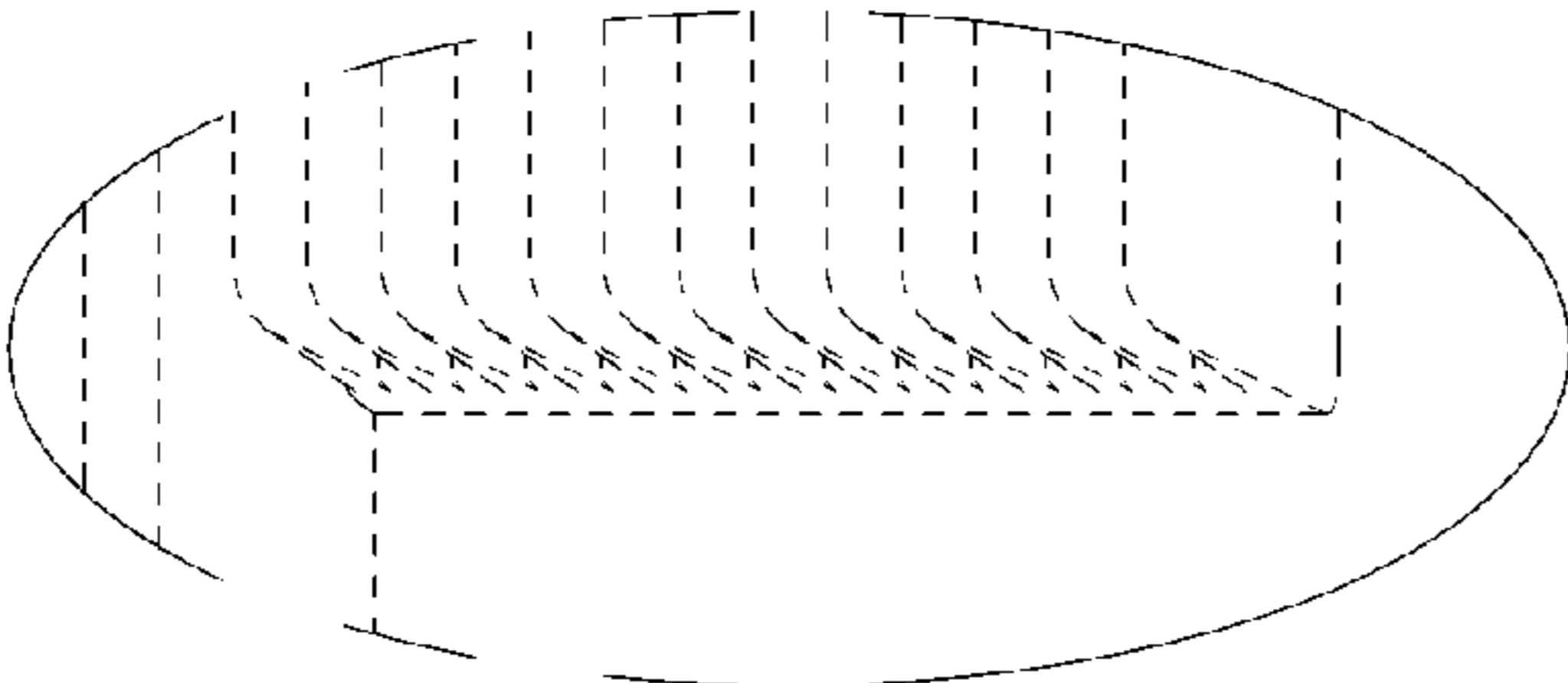


FIG.9

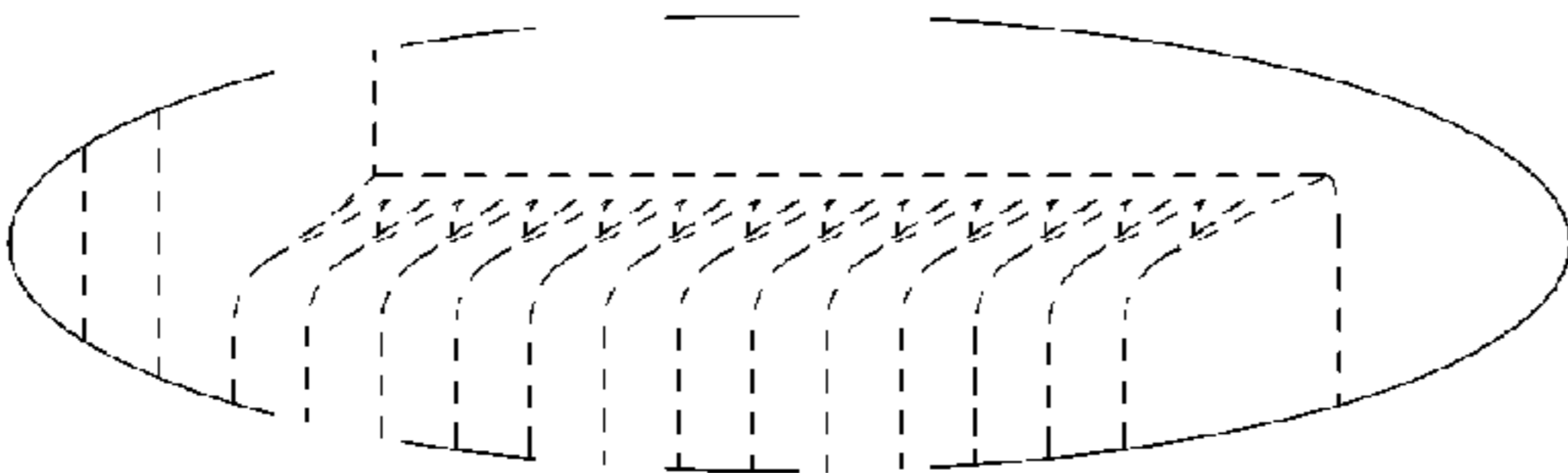


FIG.8

