



US00D754238S

(12) **United States Design Patent**  
**Woodman**

(10) **Patent No.:** **US D754,238 S**  
(45) **Date of Patent:** **\*\* Apr. 19, 2016**

(54) **CAMERA HOUSING**

FOREIGN PATENT DOCUMENTS

(71) Applicant: **GoPro, Inc.**, San Mateo, CA (US)

JP 2002-006389 A2 1/2002

(72) Inventor: **Nicholas D. Woodman**, Sausalito, CA (US)

OTHER PUBLICATIONS

(73) Assignee: **GoPro, Inc.**, San Mateo, CA (US)

“Custom Surf Housing Examples for Video Cameras,” Sexton Photographics, The Sexton Company LLC, 2004, 3 Pages, [Online] [Retrieved on Nov. 16, 2008] Retrieved from the Internet<URL:http://www.thesextonco.com/ch\_surf\_video.html>.

(\*\*) Term: **14 Years**

“GoPro Hero 3 Sports Wrist Camera Review,” PaddleDogNation, 2006, 6 pages, [Online] [Retrieved on Aug. 8, 2007] Retrieved from the Internet<URL:http://paddledognation.com/Reviews/PaddlingGearReviews/Hero3Ca . . . >.

(21) Appl. No.: **29/522,567**

Huang, J., “Part 19—Oct. 21: Interbike Bits and Baubles,” Interbike Show, Las Vegas, Nevada, USA, Sep. 22-26, 2008, Cyclingnews.com, 3 Pages, [Online] [Retrieved on Oct. 21, 2008] Retrieved from the Internet<URL:http://www.cyclingnews.com/tech/2008/shows/interbike08/?id=result . . . >.

(22) Filed: **Mar. 31, 2015**

(Continued)

**Related U.S. Application Data**

(60) Continuation of application No. 29/481,654, filed on Feb. 7, 2014, now Pat. No. Des. 732,593, which is a division of application No. 29/414,593, filed on Feb. 29, 2012, now Pat. No. Des. 702,276, which is a continuation of application No. 13/193,369, filed on Jul. 28, 2011, now Pat. No. 8,150,248, which is a continuation of application No. 12/498,876, filed on Jul. 7, 2009, now Pat. No. 8,014,656.

*Primary Examiner* — Adir Aronovich

(74) *Attorney, Agent, or Firm* — Fenwick & West LLP

(51) **LOC (10) Cl.** ..... **16-01**

(52) **U.S. Cl.**  
USPC ..... **D16/219; D16/200**

(58) **Field of Classification Search**  
USPC ..... D16/200, 202–204, 208, 218, 219, 242;  
248/176.1, 187.1; 348/373–376;  
396/419, 535, 539–541  
CPC ..... G03B 15/03; G03B 17/02; G03B 17/04;  
G03B 17/08; G03B 17/56; G03B 17/561;  
H04N 5/2251; H04N 5/2252; H04N 5/2253;  
H04N 5/2254

See application file for complete search history.

**CLAIM**

The ornamental design for a camera housing, as shown and described.

**DESCRIPTION**

FIG. 1 is a front, top and left side perspective view of a camera housing showing my new design;  
FIG. 2 is a front, top and right side perspective view thereof;  
FIG. 3 is a front, bottom and left side perspective view thereof;  
FIG. 4 is a front, bottom and right side perspective view thereof;  
FIG. 5 is front elevational view thereof;  
FIG. 6 is a rear elevational view thereof;  
FIG. 7 is a left side elevational view thereof;  
FIG. 8 is a right side elevational view thereof;  
FIG. 9 is a top plan view thereof; and,  
FIG. 10 is a bottom plan view thereof.

The broken lines in the drawings showing portions of the camera housing are included for the purpose of illustrating environmental structure and form no part of the claimed design.

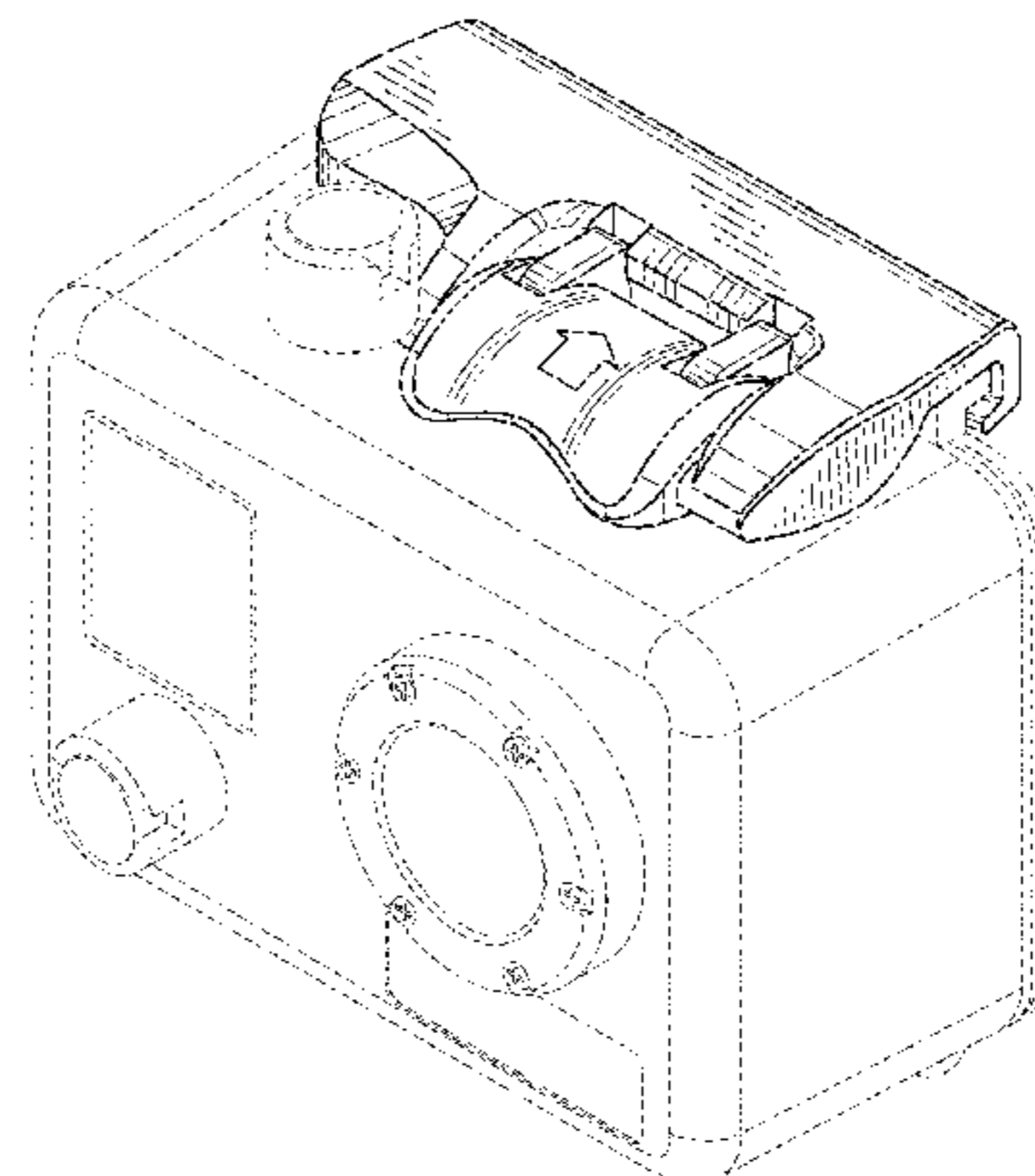
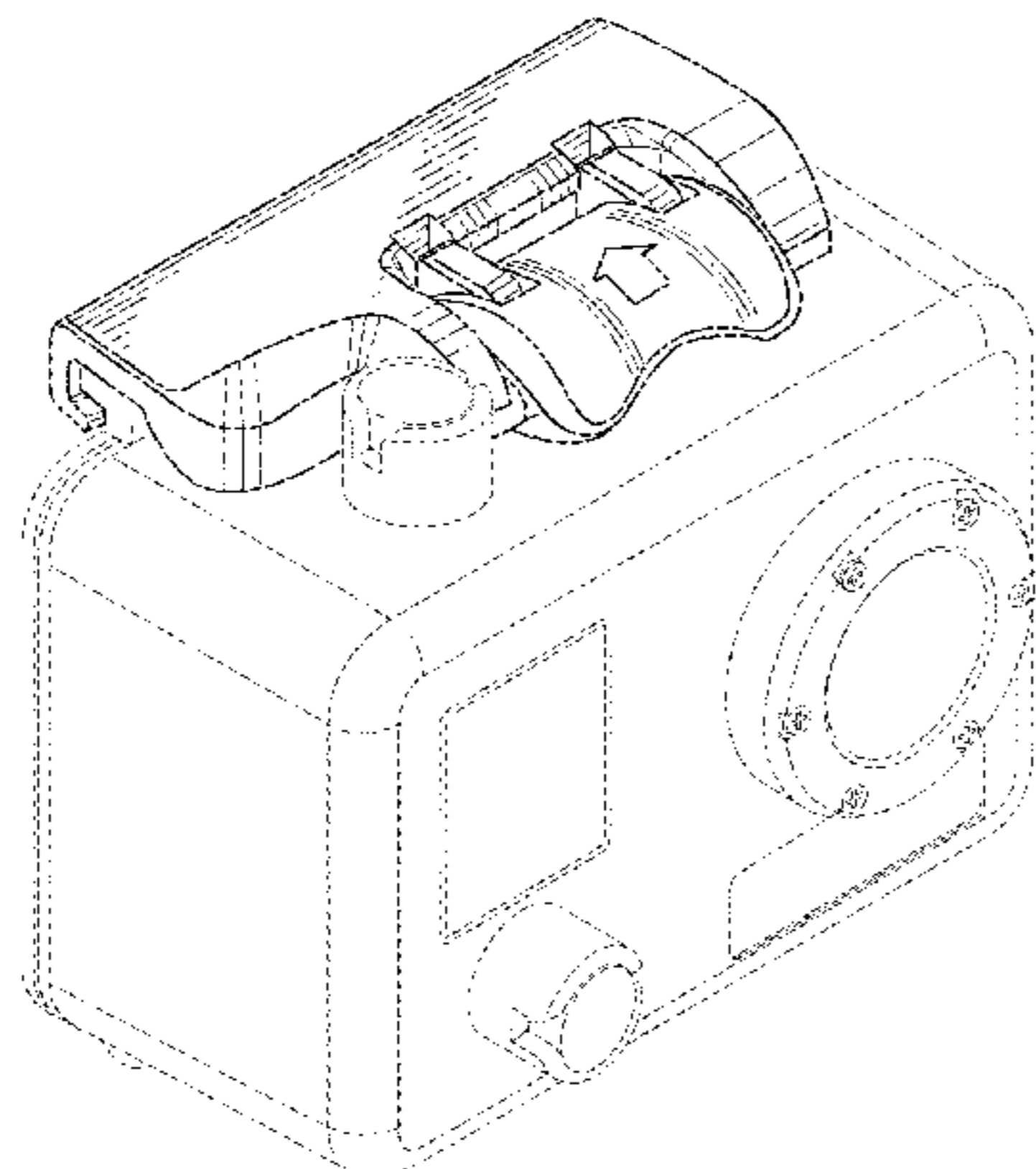
(56) **References Cited**

U.S. PATENT DOCUMENTS

D96,348 S 7/1935 Teague  
D164,285 S 8/1951 Clark  
4,763,151 A 8/1988 Klinger

(Continued)

**1 Claim, 10 Drawing Sheets**



(56)

References Cited

U.S. PATENT DOCUMENTS

D321,705 S 11/1991 Ohmura et al.  
 D338,220 S 8/1993 Kohno et al.  
 D392,659 S 3/1998 Takano  
 5,997,376 A 12/1999 Block et al.  
 D441,386 S 5/2001 Yamazaki  
 6,233,400 B1 5/2001 Muramatsu et al.  
 6,315,180 B1 11/2001 Watkins  
 D460,474 S 7/2002 Gotham et al.  
 6,821,173 B2 11/2004 McCausland et al.  
 6,955,484 B2 10/2005 Woodman  
 6,991,504 B1 1/2006 English et al.  
 7,060,921 B2 6/2006 Kubo  
 D524,836 S 7/2006 Morita  
 D527,403 S 8/2006 Byun et al.  
 7,117,699 B2 10/2006 Bistline  
 D532,029 S 11/2006 Kim  
 D532,030 S 11/2006 Yoshida  
 D532,433 S 11/2006 Sato  
 D533,574 S 12/2006 Hamamura  
 D534,564 S 1/2007 Tainaka  
 7,182,661 B2 2/2007 Sams et al.  
 D538,322 S 3/2007 Horikiri  
 7,626,621 B2 12/2009 Ito et al.  
 7,683,968 B2 3/2010 Hagihara et al.  
 7,768,727 B2 8/2010 Iida  
 7,801,439 B2 9/2010 Nagata et al.  
 D641,389 S 7/2011 Dastagir  
 8,014,656 B2 9/2011 Woodman  
 D646,313 S 10/2011 Woodman  
 D648,364 S 11/2011 Tsukamoto et al.  
 D657,808 S 4/2012 Woodman  
 D667,041 S 9/2012 Uehara et al.

D674,428 S \* 1/2013 Woodman ..... D16/218  
 D702,747 S \* 4/2014 Woodman ..... D16/200  
 D710,921 S 8/2014 Gioscia et al.  
 D710,922 S \* 8/2014 Gioscia ..... D16/200  
 8,870,475 B1 \* 10/2014 Bennett ..... G03B 17/561  
 396/419

2003/0035052 A1 2/2003 Baron  
 2005/0007553 A1 1/2005 Romanoff et al.  
 2005/0019029 A1 1/2005 Kawakami  
 2005/0212959 A1 9/2005 Manabe et al.  
 2006/0233545 A1 10/2006 Senba et al.  
 2007/0242134 A1 10/2007 Zernov  
 2008/0083360 A1 4/2008 Rowley

OTHER PUBLICATIONS

“Maui Surf Report: New SUP Camera Mount,” 8 Pages, [Online] [Retrieved on Nov. 16, 2008] Retrieved from the Internet<URL:http://mauisurfreport.blogspot.com/2007/08/new-sup-camera-mount.html>.  
 PCT International Search Report and Written Opinion, PCT/US2009/049823, Sep. 1, 2009, 8 pages.  
 “Sticky Pod—Boat Camera Mount,” Sticky Pod Camera Mounts, Sticky Pod®, 2003-2007, 3 Pages, [Online] [Retrieved on Nov. 16, 2008] Retrieved from the Internet<URL:http://www.stickypod.com/boat\_camera\_mount.html>.  
 “Tekkno Trading Project—Brandnews,” NSP, Jan. 2008, p. 59.  
 Volk, W., “Go Pro’s Digital Hero Camera,” Divester, Posted Dec. 5, 2008, 3 Pages, [Online] [Retrieved on Sep. 16, 2009] Retrieved from the Internet<URL:http://www.divester.com/2006/12/05/go-pro-digital-hero-camera/>.  
 Office Action for U.S. Appl. No. 13/193,369, Oct. 18, 2011, 6 Pages.  
 Office Action for U.S. Appl. No. 12/498,876, Jan. 12, 2011, 10 Pages.  
 Office Action for U.S. Appl. No. 12/498,876, Sep. 17, 2010, 12 Pages.

\* cited by examiner

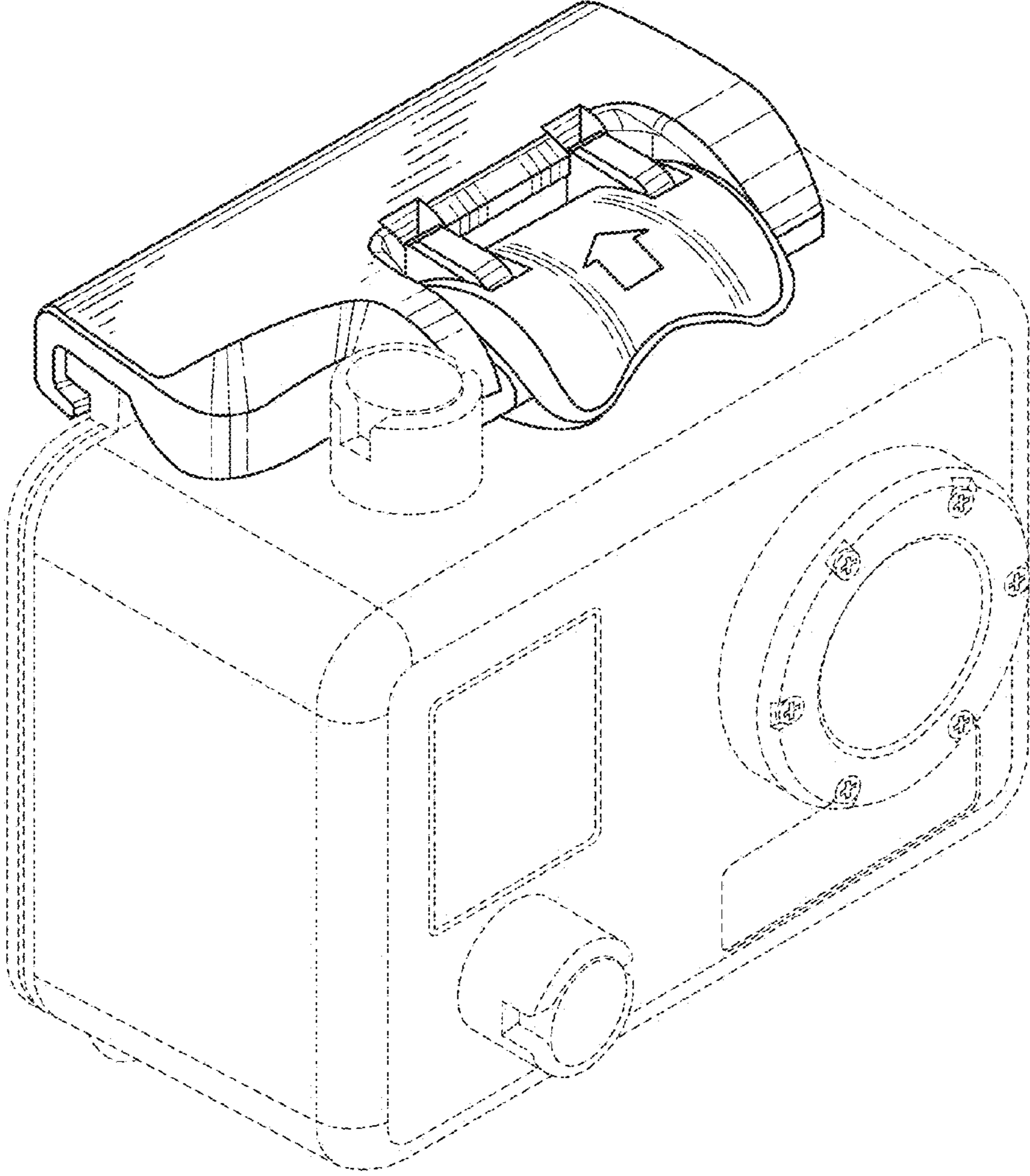


FIG. 1

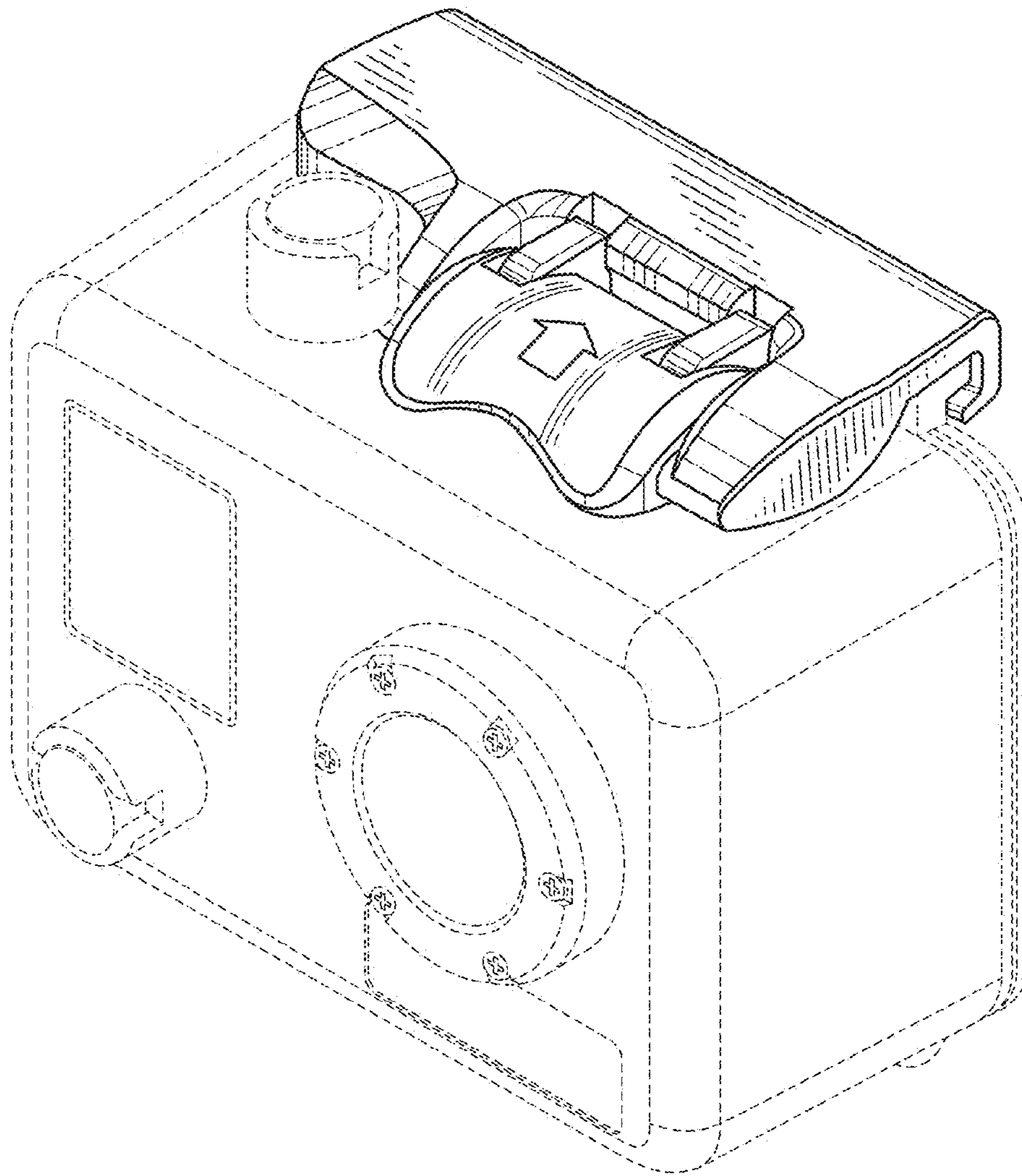


FIG. 2

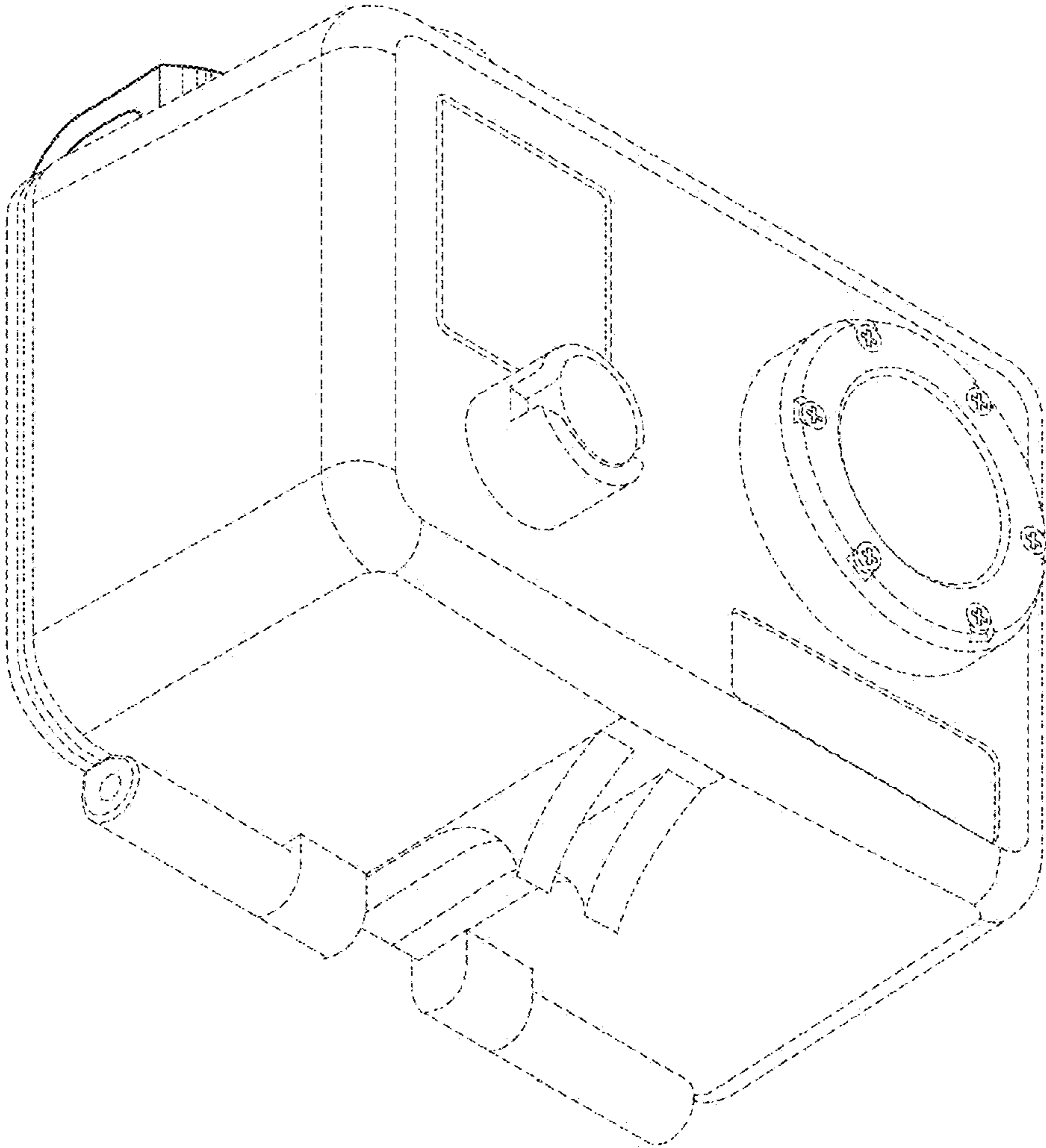


FIG. 3

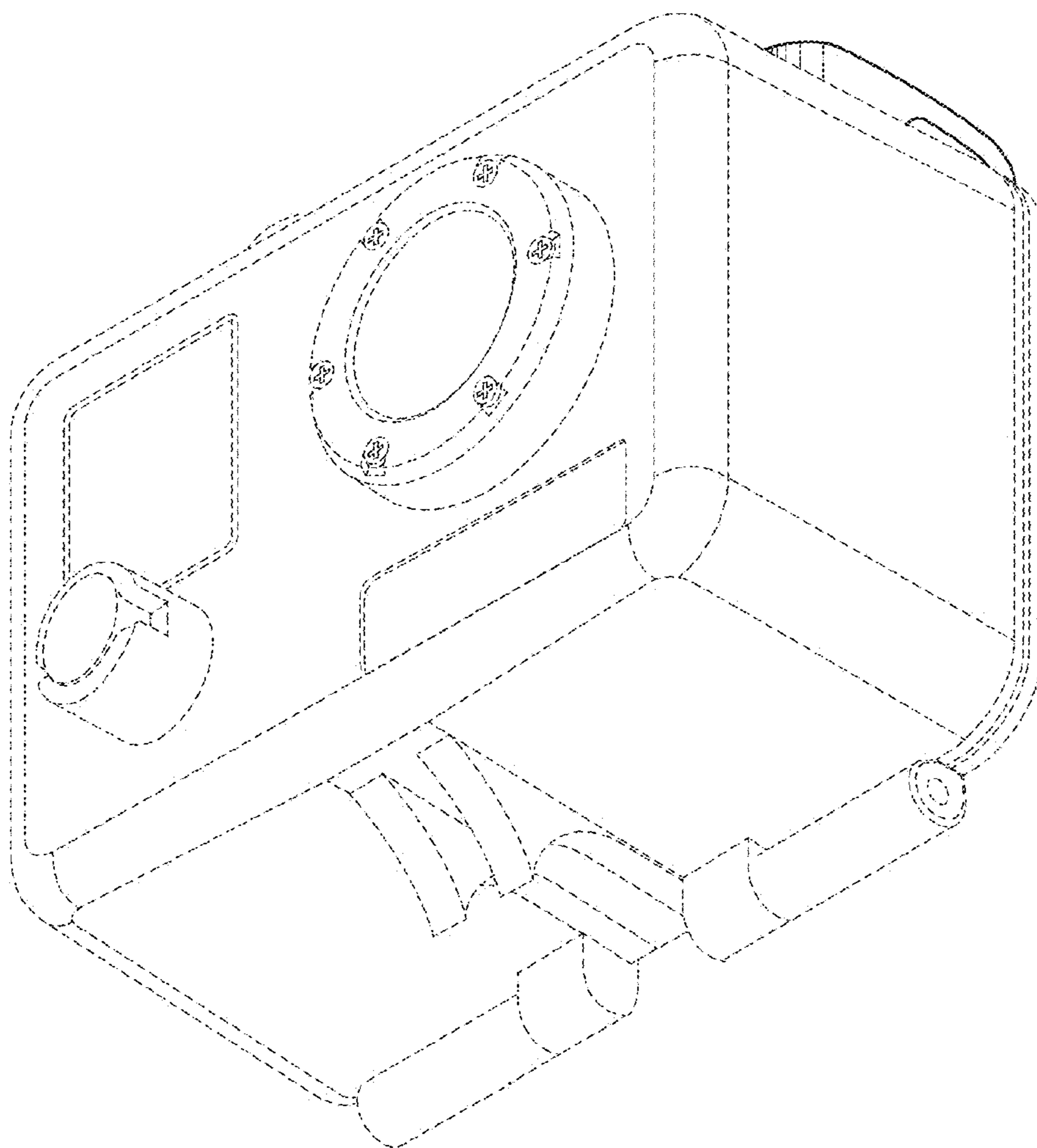


FIG. 4

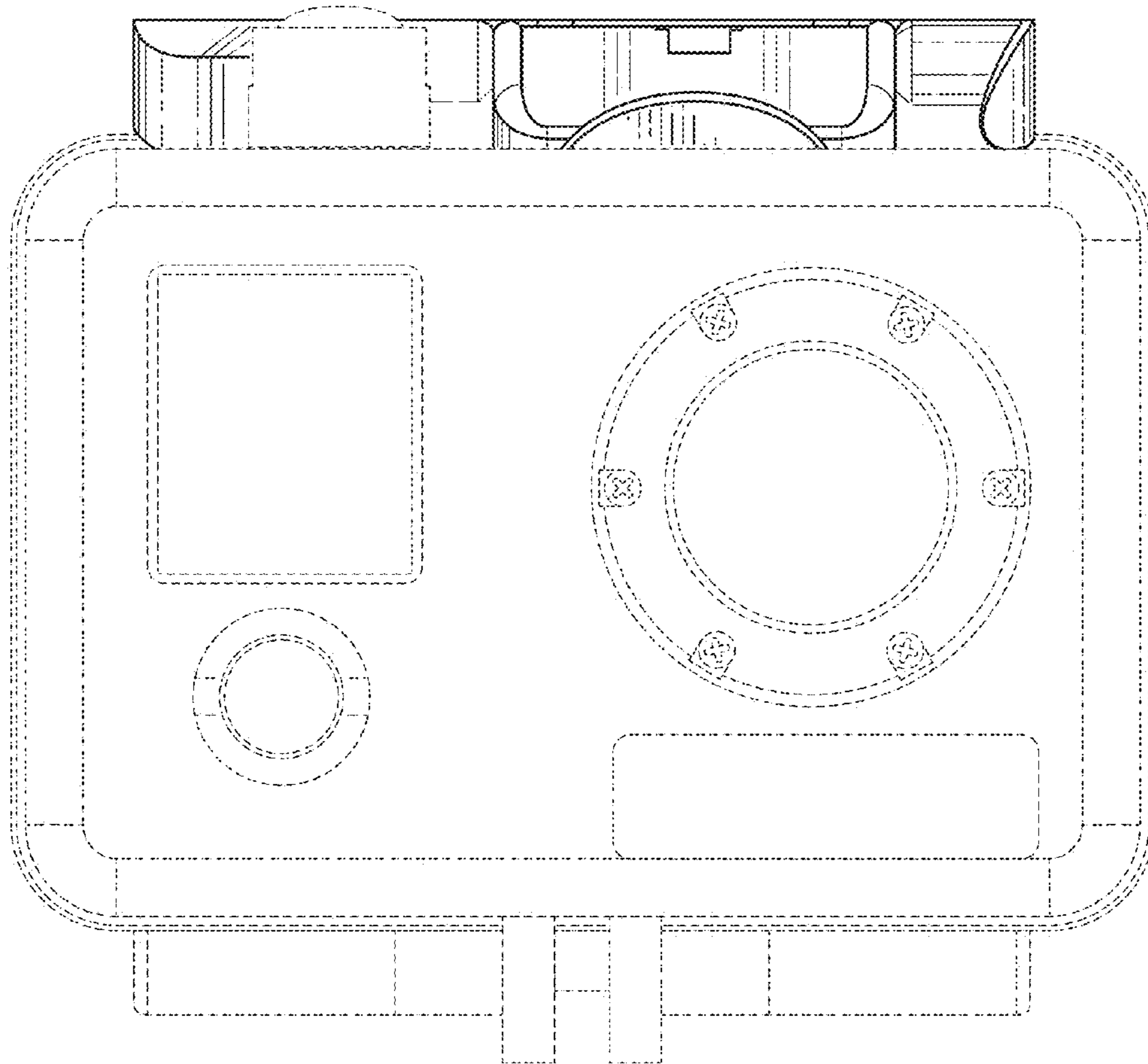


FIG. 5

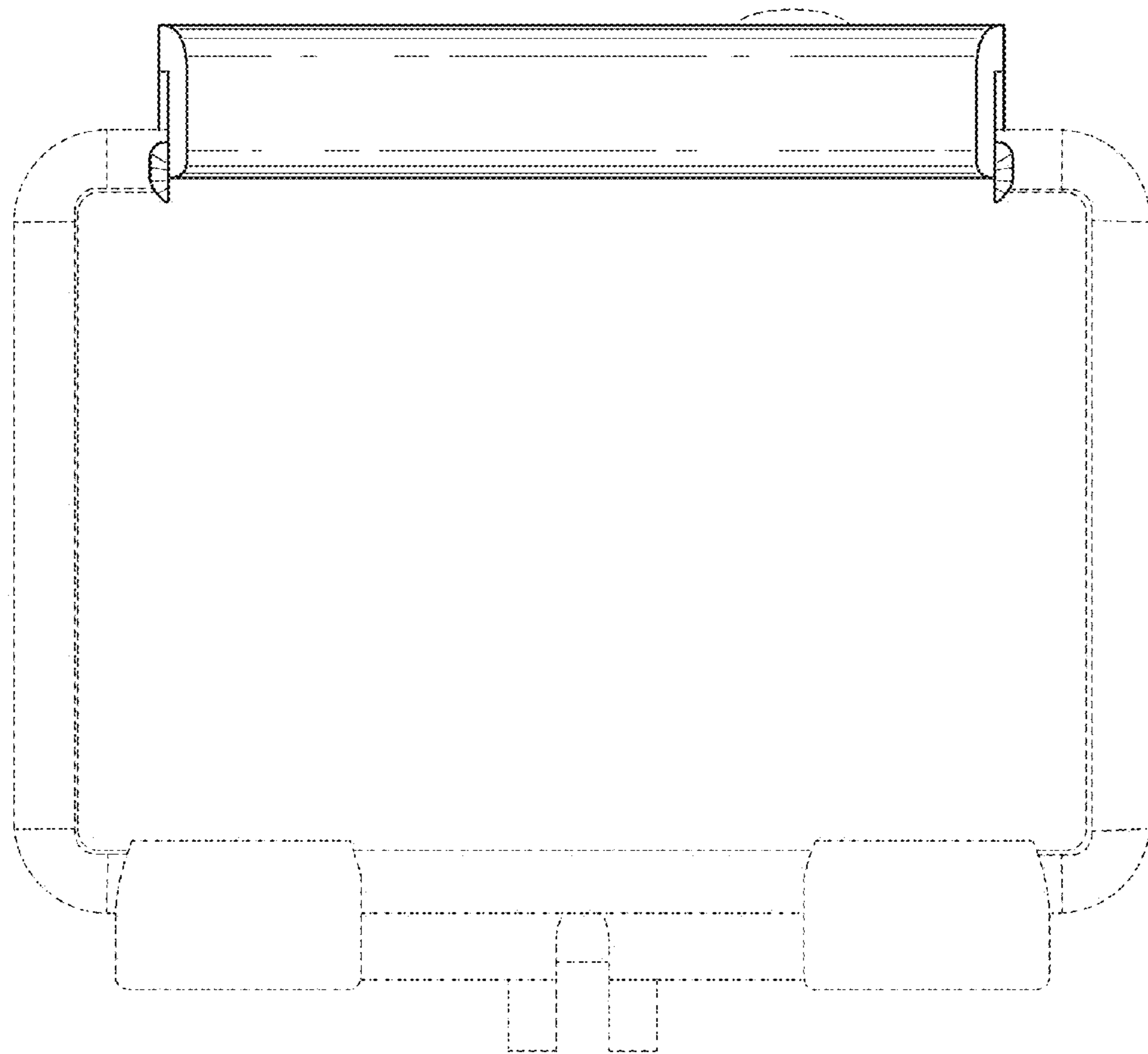


FIG. 6



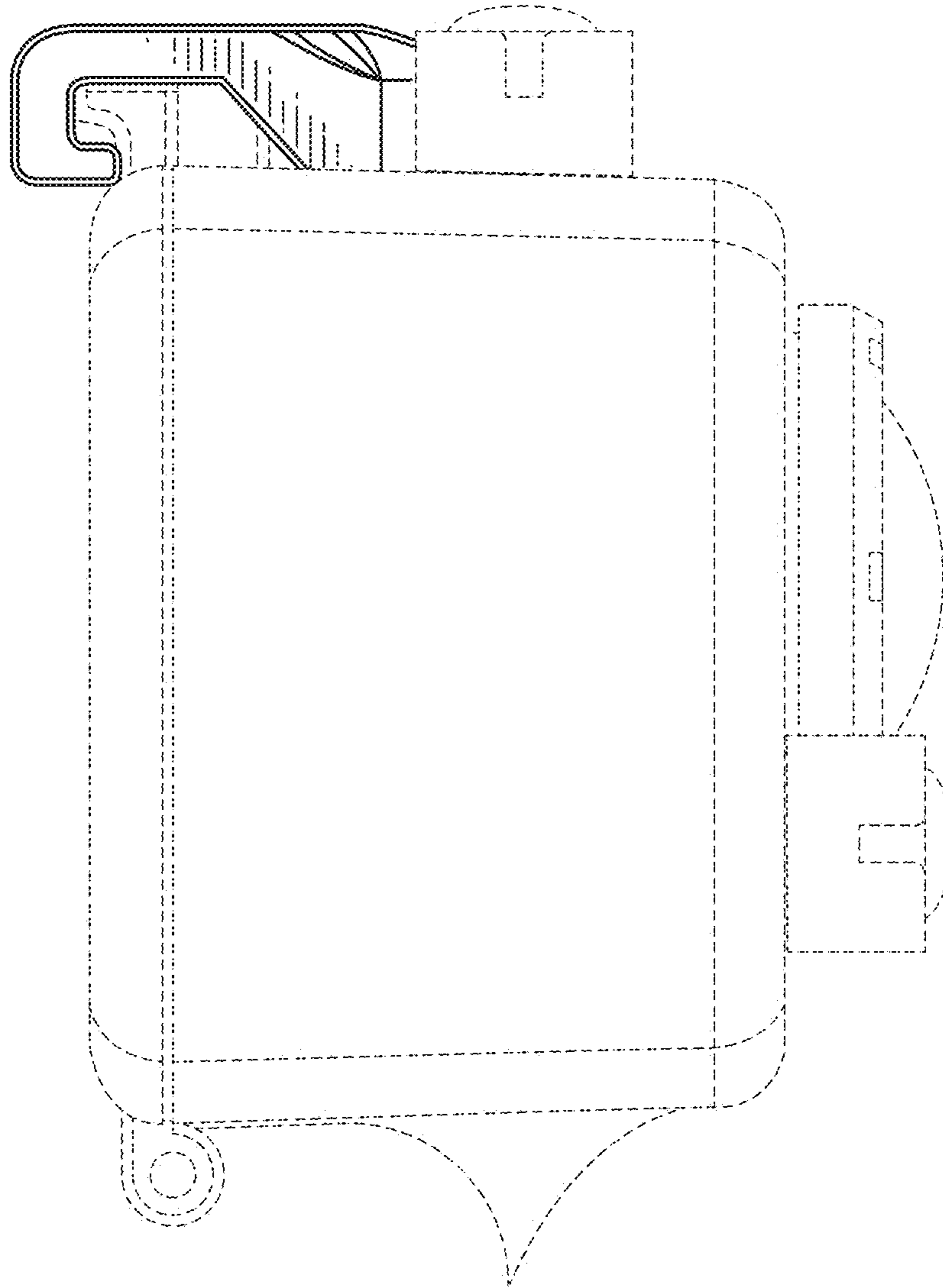


FIG. 7

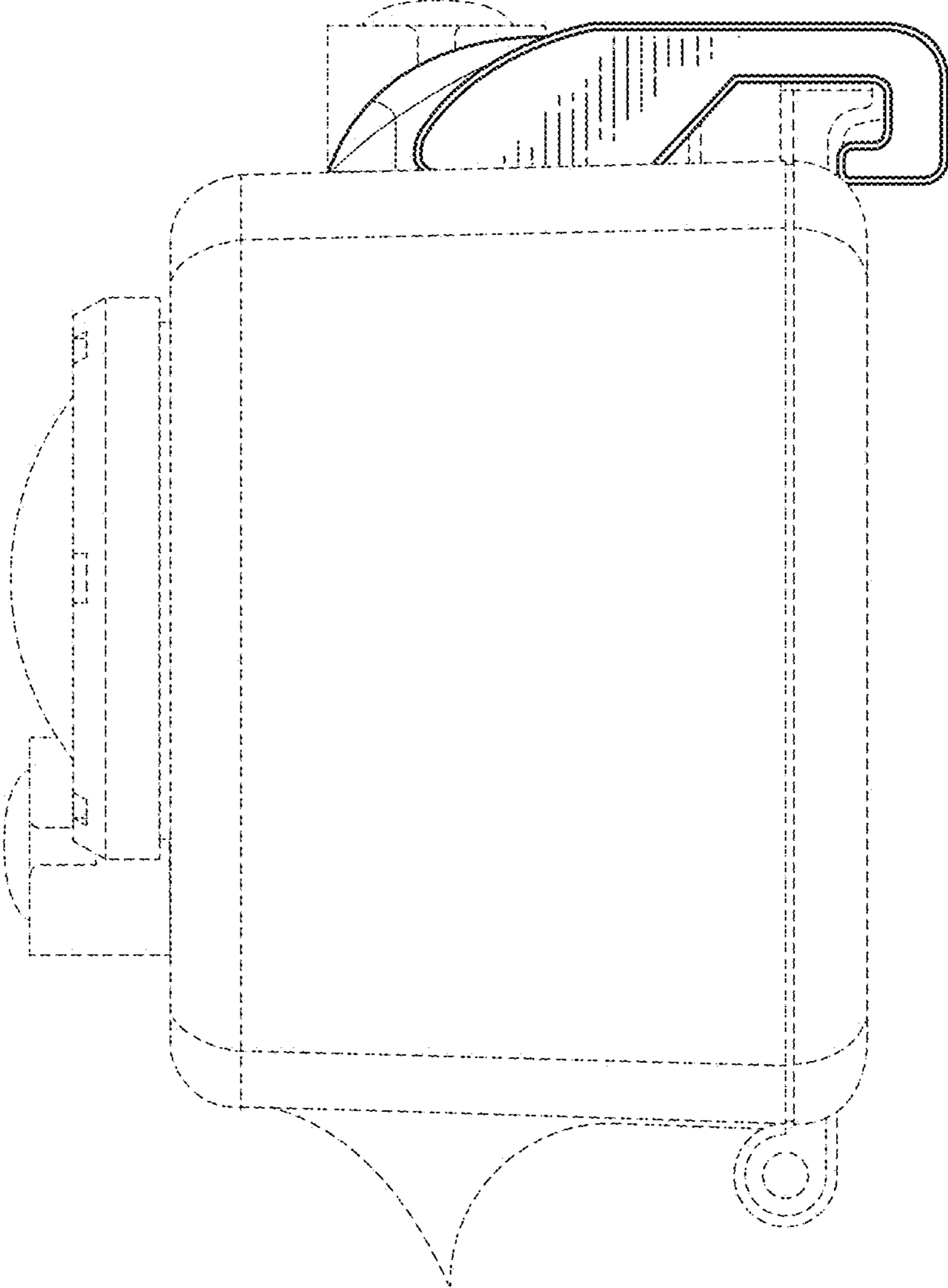


FIG. 8

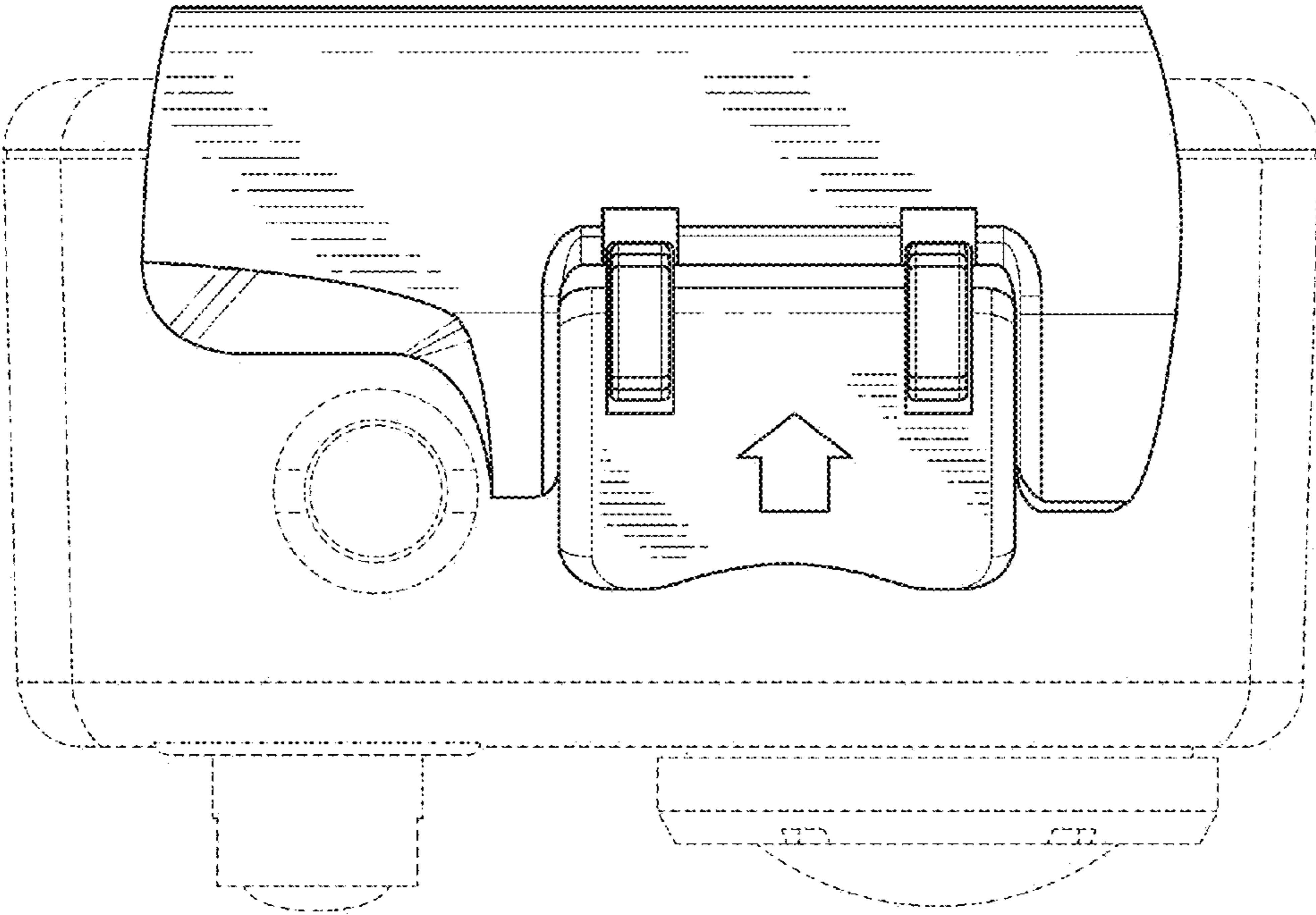


FIG. 9

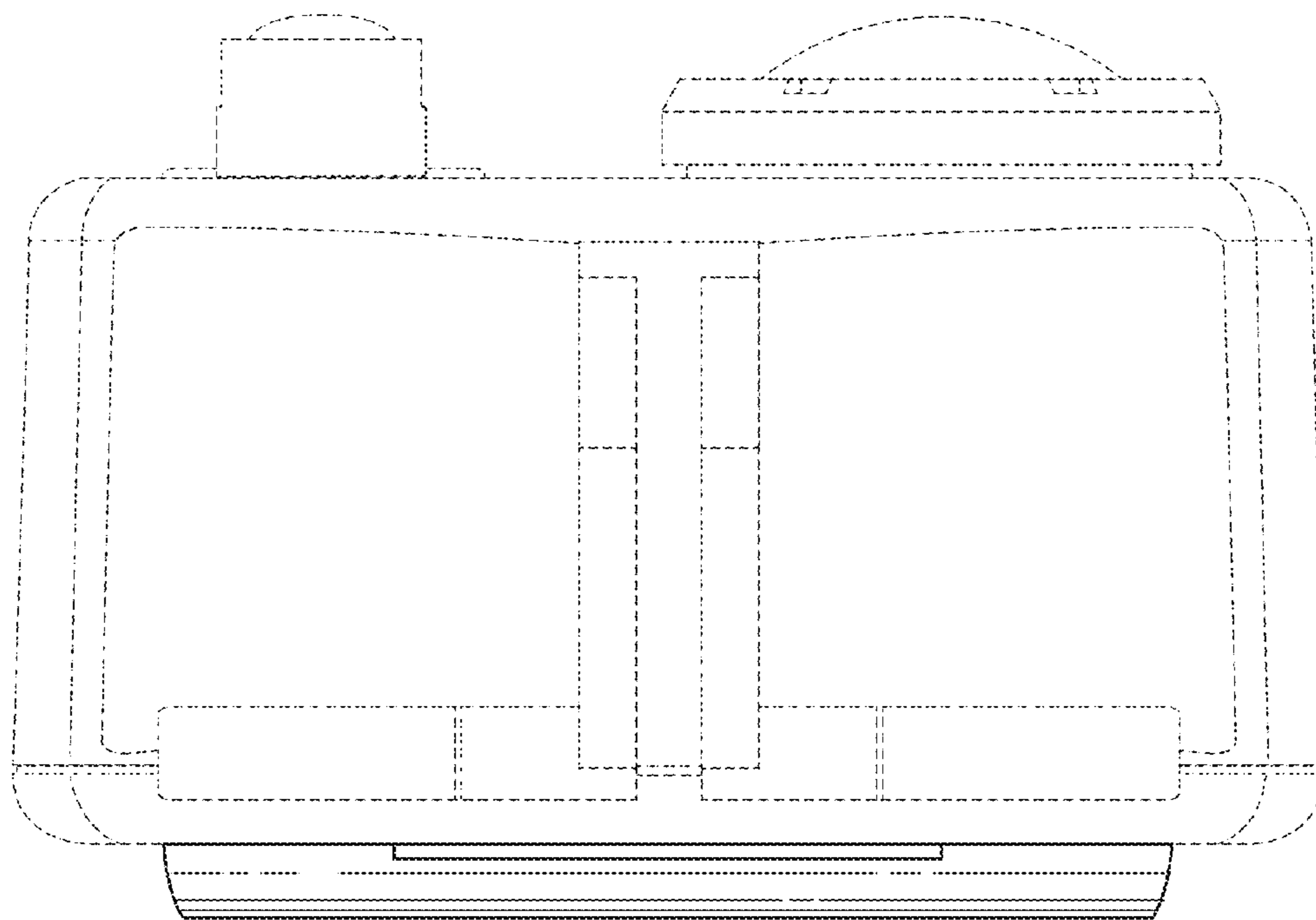


FIG. 10