



US00D754237S

(12) **United States Design Patent**
Oh

(10) **Patent No.:** **US D754,237 S**

(45) **Date of Patent:** **** Apr. 19, 2016**

(54) **LENS FOR CAMERA**

(56) **References Cited**

(71) Applicant: **Samsung Electronics Co., Ltd.**,
Suwon-si (KR)

(72) Inventor: **San-Hui Oh**, Seoul (KR)

(73) Assignee: **Samsung Electronics Co., Ltd.**,
Suwon-si (KR)

(**) Term: **14 Years**

(21) Appl. No.: **29/514,426**

(22) Filed: **Jan. 13, 2015**

(30) **Foreign Application Priority Data**

Jul. 21, 2014 (KR) 30-2014-0035688

(51) **LOC (10) Cl.** **16-05**

(52) **U.S. Cl.**
USPC **D16/219**

(58) **Field of Classification Search**
USPC D16/134, 136, 200, 202, 203, 218, 219;
348/529-531, 373, 374; 359/819, 827,
359/828, 830; 396/535, 539-541

CPC G02B 7/10; G06F 1/1632; H04N 5/2251;
H04N 5/2252; H04N 5/2253; H04N 5/2254

See application file for complete search history.

U.S. PATENT DOCUMENTS

D271,698 S *	12/1983	Shishido	D16/134
D572,291 S *	7/2008	Aiba	D16/134
D698,842 S *	2/2014	Hasuda	D16/219
D734,801 S *	7/2015	Yang	D16/202
2008/0055746 A1 *	3/2008	Wei-An	G02B 7/10 359/819
2013/0107109 A1 *	5/2013	Yang	G06F 1/1632 348/373

* cited by examiner

Primary Examiner — Adir Aronovich
(74) *Attorney, Agent, or Firm* — NSIP Law

(57) **CLAIM**

I claim the ornamental design for a lens for camera, as shown and described.

DESCRIPTION

FIG. 1 is a front and right side perspective view of a lens for camera showing my new design;
FIG. 2 is a front elevational view thereof;
FIG. 3 is a rear elevational view thereof;
FIG. 4 is a left side elevational view thereof;
FIG. 5 is a right side elevational view thereof;
FIG. 6 is a top plan view thereof; and,
FIG. 7 is a bottom plan view thereof.
The broken lines in the figures show portions of the lens for camera which form no part of the claimed design.

1 Claim, 7 Drawing Sheets

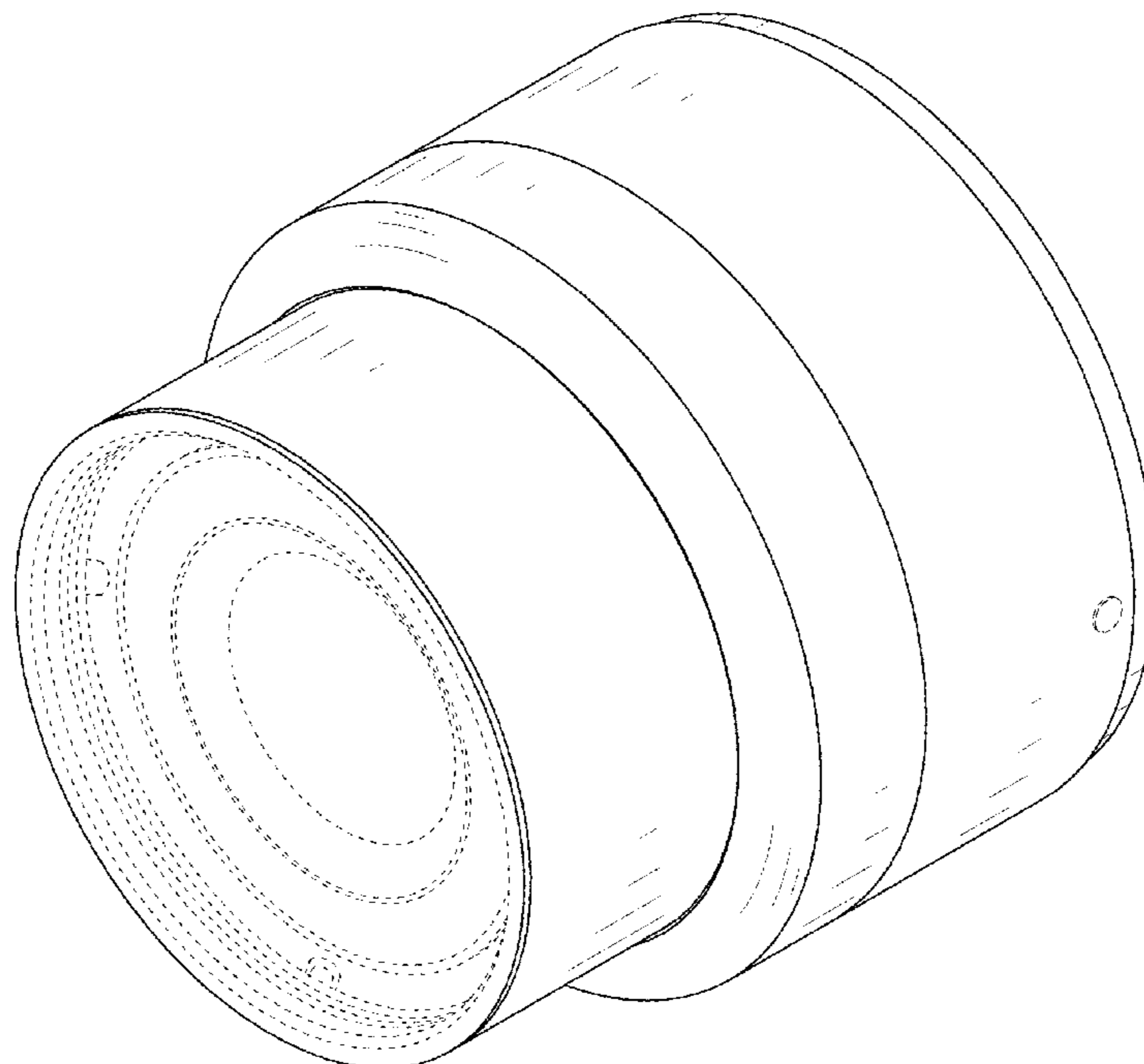


FIG. 1

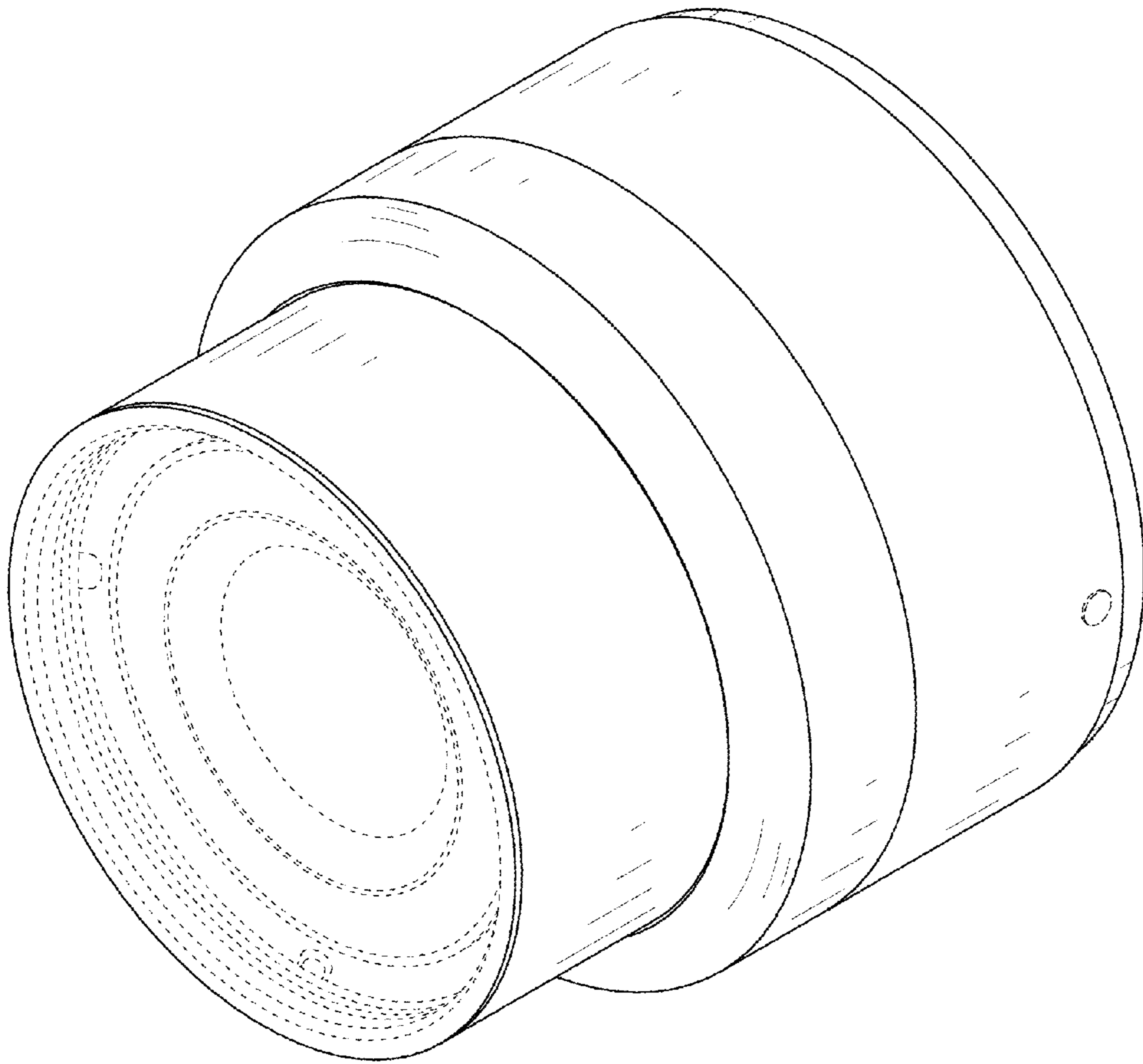


FIG. 2

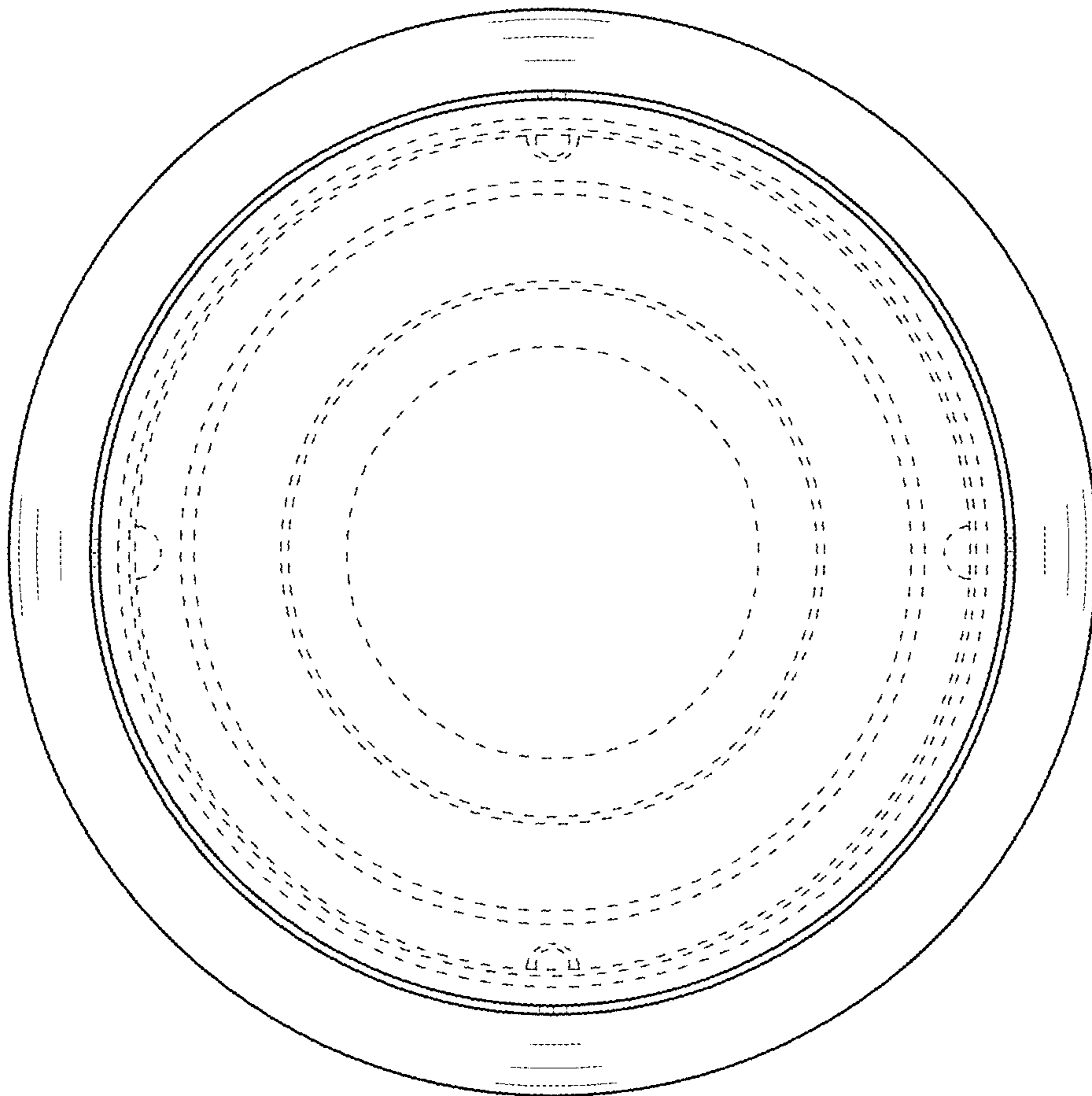


FIG. 3

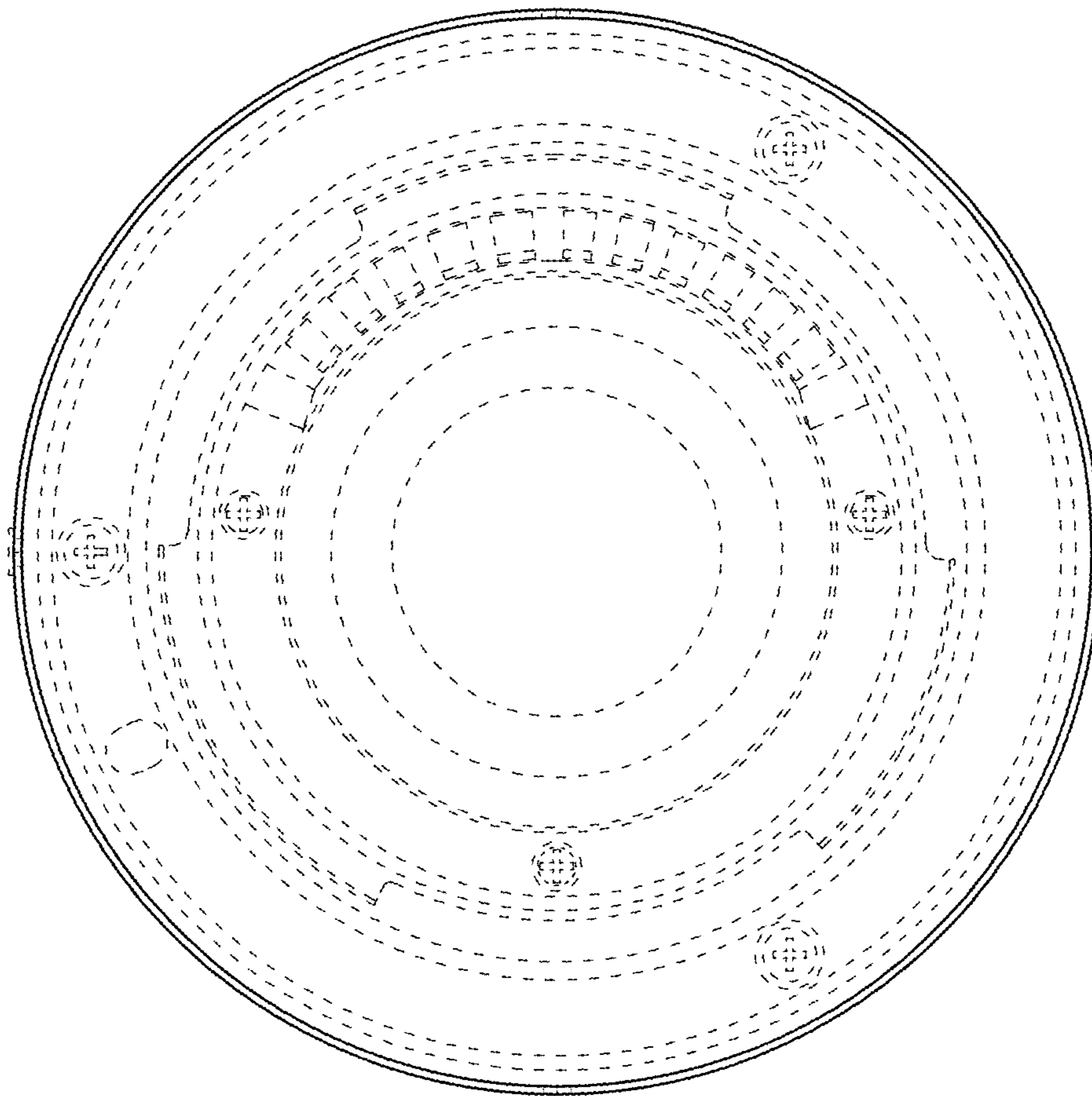


FIG. 4

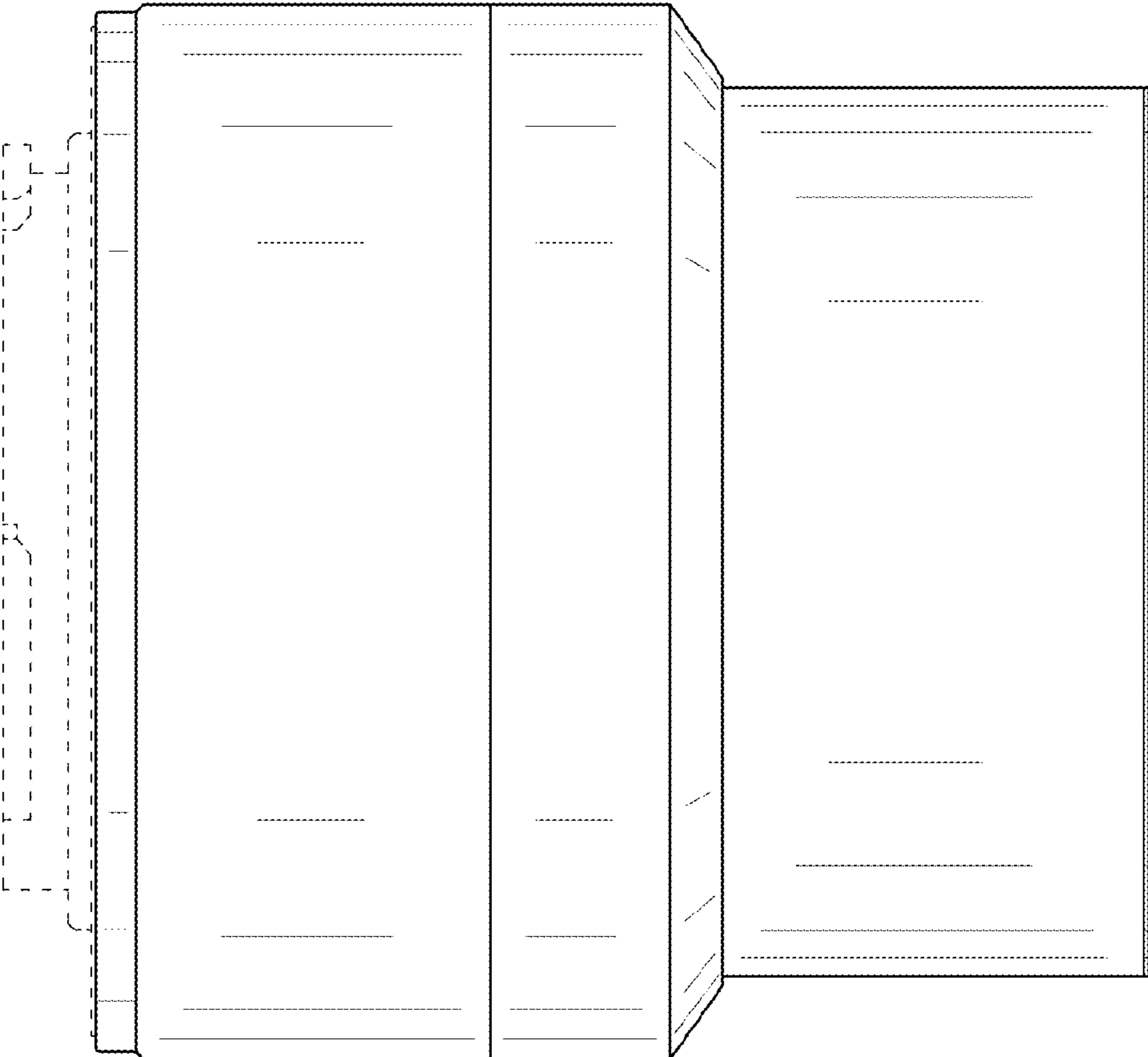


FIG. 5

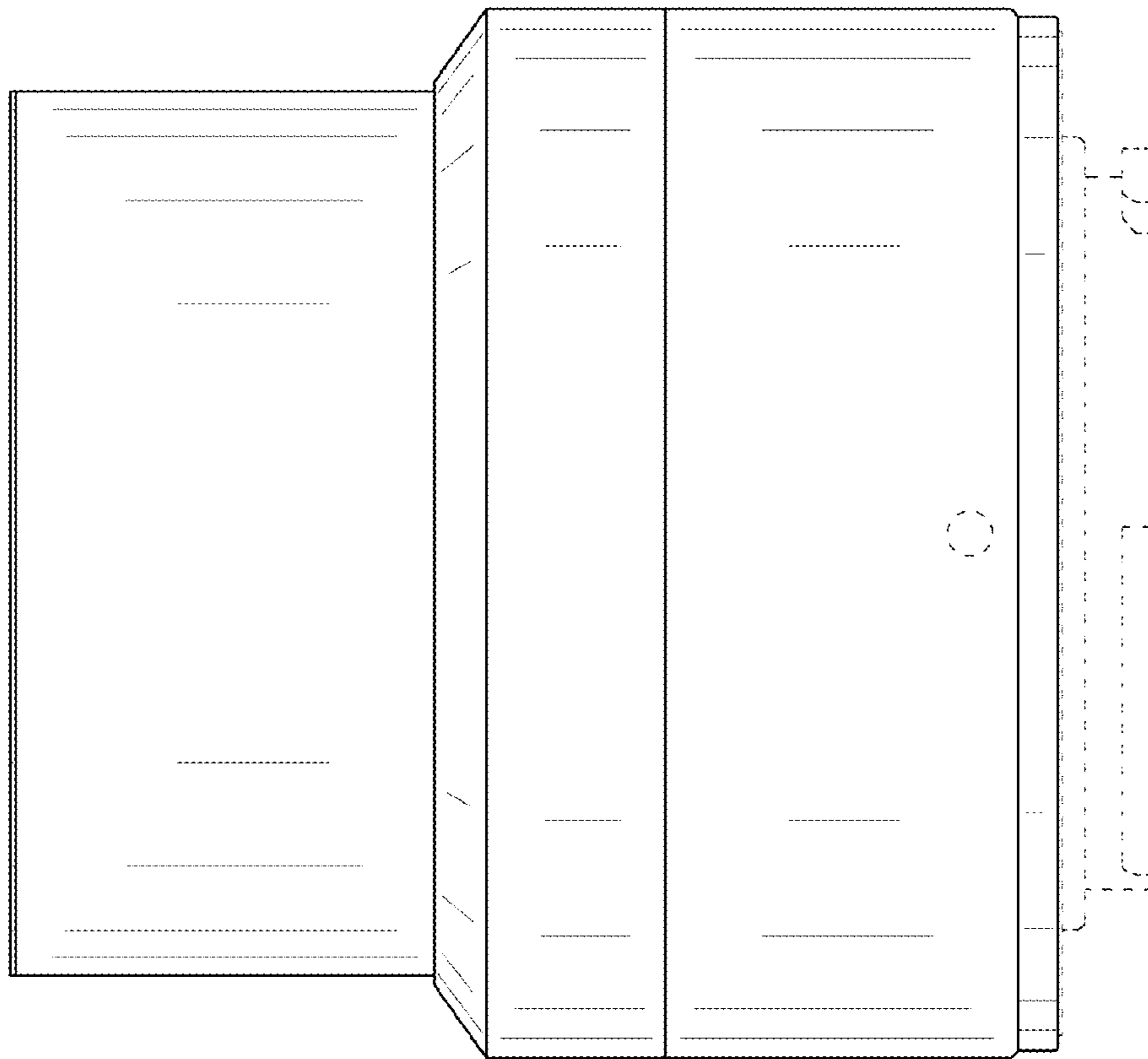


FIG. 6

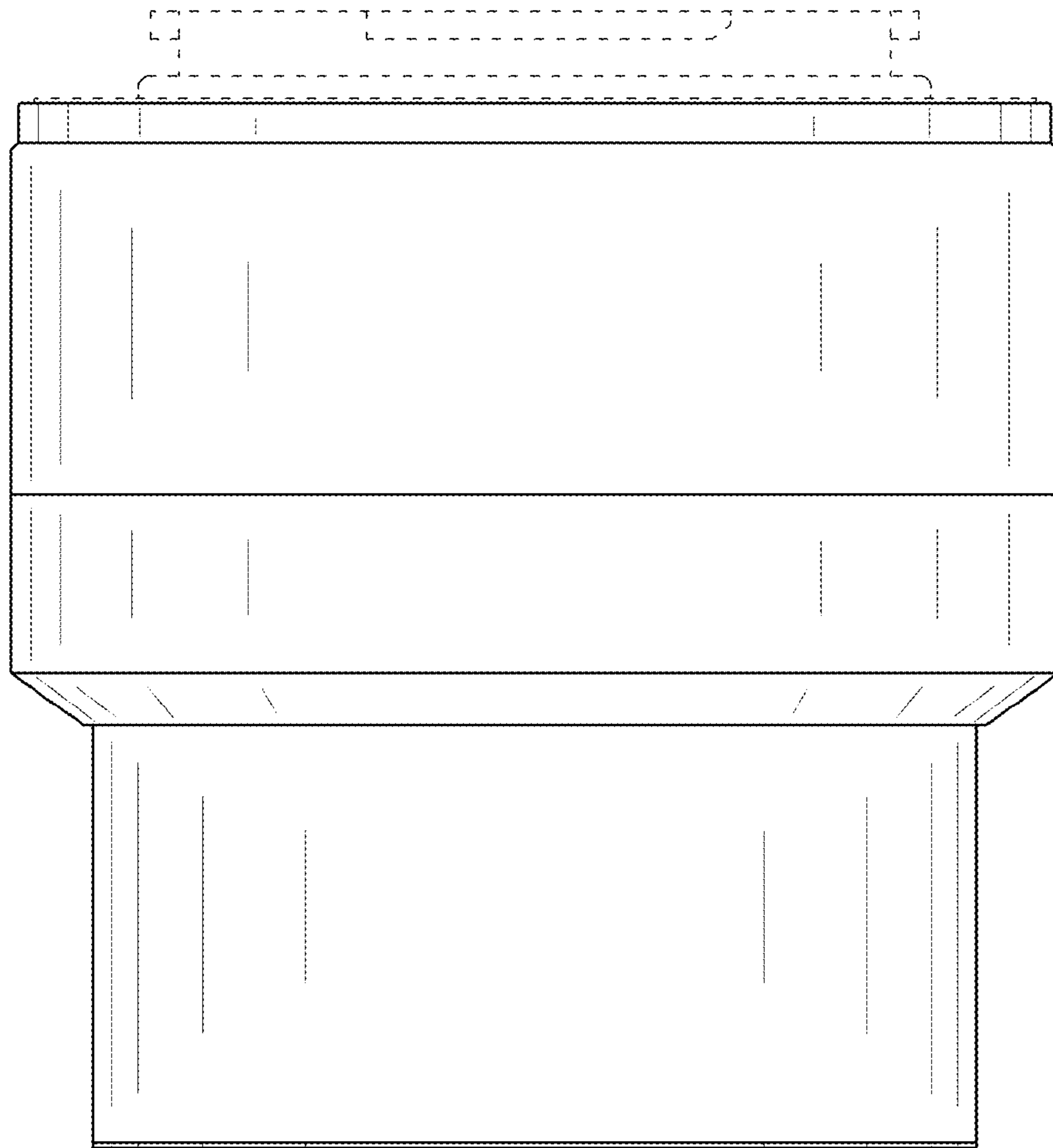


FIG. 7

