



US00D754236S

(12) **United States Design Patent**
Oh

(10) **Patent No.:** **US D754,236 S**

(45) **Date of Patent:** **** Apr. 19, 2016**

(54) **LENS FOR CAMERA**

(71) Applicant: **San-Hui Oh**, Seoul (KR)

(72) Inventor: **San-Hui Oh**, Seoul (KR)

(73) Assignee: **SAMSUNG ELECTRONICS CO., LTD.**, Suwon-Si, Gyeonggi-Do (KR)

(**) Term: **14 Years**

(21) Appl. No.: **29/497,858**

(22) Filed: **Jul. 29, 2014**

Related U.S. Application Data

(63) Continuation of application No. 29/496,831, filed on Jul. 17, 2014.

Foreign Application Priority Data

Jan. 29, 2014 (KR) 30-2014-0004929

(51) **LOC (10) Cl.** **16-05**

(52) **U.S. Cl.**
USPC **D16/219**; D16/134

(58) **Field of Classification Search**
USPC D16/134, 136, 200, 202-206, 218, 219, D16/242; 348/373-376; 359/819, 826-828; 396/529-532, 535, 539-541
CPC G03B 17/02; G03B 19/04; G03B 17/56; G03B 17/04; G03B 15/03; G03B 17/14; H04N 5/2251; H04N 5/2252; H04N 5/2253; H04N 5/2254; G02B 7/02; G02B 7/04; G02B 7/14

See application file for complete search history.

(56) **References Cited**

U.S. PATENT DOCUMENTS

D212,054	S	*	8/1968	Caldwell	D16/206
D212,055	S	*	8/1968	Caldwell	D16/206
D261,393	S	*	10/1981	Schlagheck	D16/206
D337,777	S	*	7/1993	Takahashi	D16/134
D338,219	S	*	8/1993	Takahashi	D16/134
D356,805	S	*	3/1995	Takahashi	D16/134
D407,728	S	*	4/1999	Miyamoto	D16/134
D440,997	S	*	4/2001	Watanabe	D16/134
D441,382	S	*	5/2001	Konno et al.	D16/134
6,377,408	B1	*	4/2002	Shinohara	359/826
6,791,770	B2	*	9/2004	Yamazaki et al.	359/819
D573,167	S	*	7/2008	Kitera	D16/134
D717,356	S	*	11/2014	Nikaido	D16/219

* cited by examiner

Primary Examiner — Susan E Krakower

Assistant Examiner — Ramzi Almatrahi

(74) *Attorney, Agent, or Firm* — Flynn, Thiel, Boutell & Tanis, P.C.

(57) **CLAIM**

The ornamental design for a lens for camera, as shown and described.

DESCRIPTION

FIG. 1 is a top front perspective view of a lens for camera showing my new design;
FIG. 2 is a front view thereof;
FIG. 3 is a rear view thereof;
FIG. 4 is a left side view thereof;
FIG. 5 is a right side view thereof;
FIG. 6 is a top view thereof;
FIG. 7 is a bottom view thereof; and,
FIG. 8 is a reduced scale, top front perspective view thereof, shown in condition of use with an unclaimed camera body. The broken lines depict portions of a lens and camera in which the design is embodied and form no part of the claimed design.

1 Claim, 6 Drawing Sheets

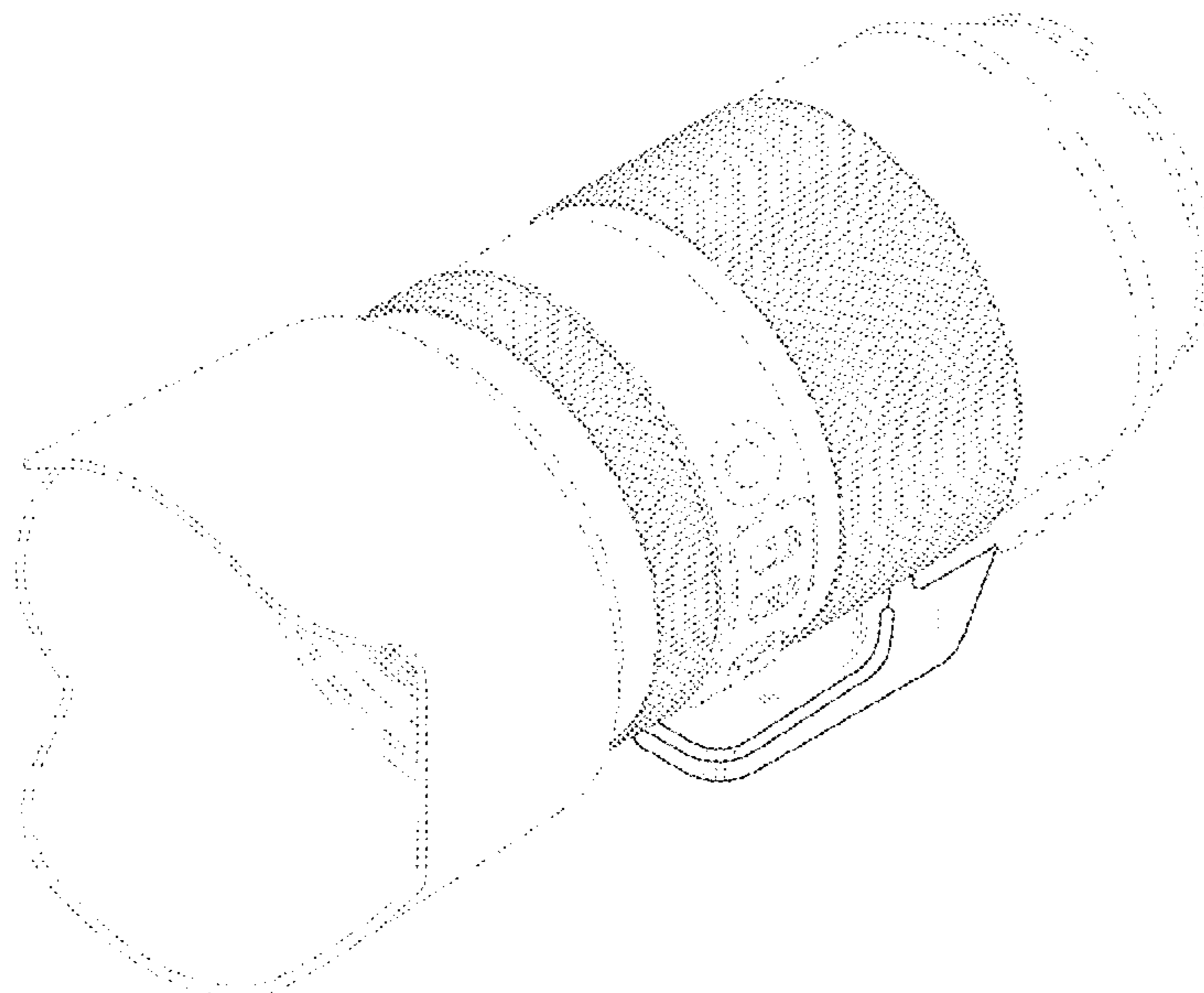


FIG. 1

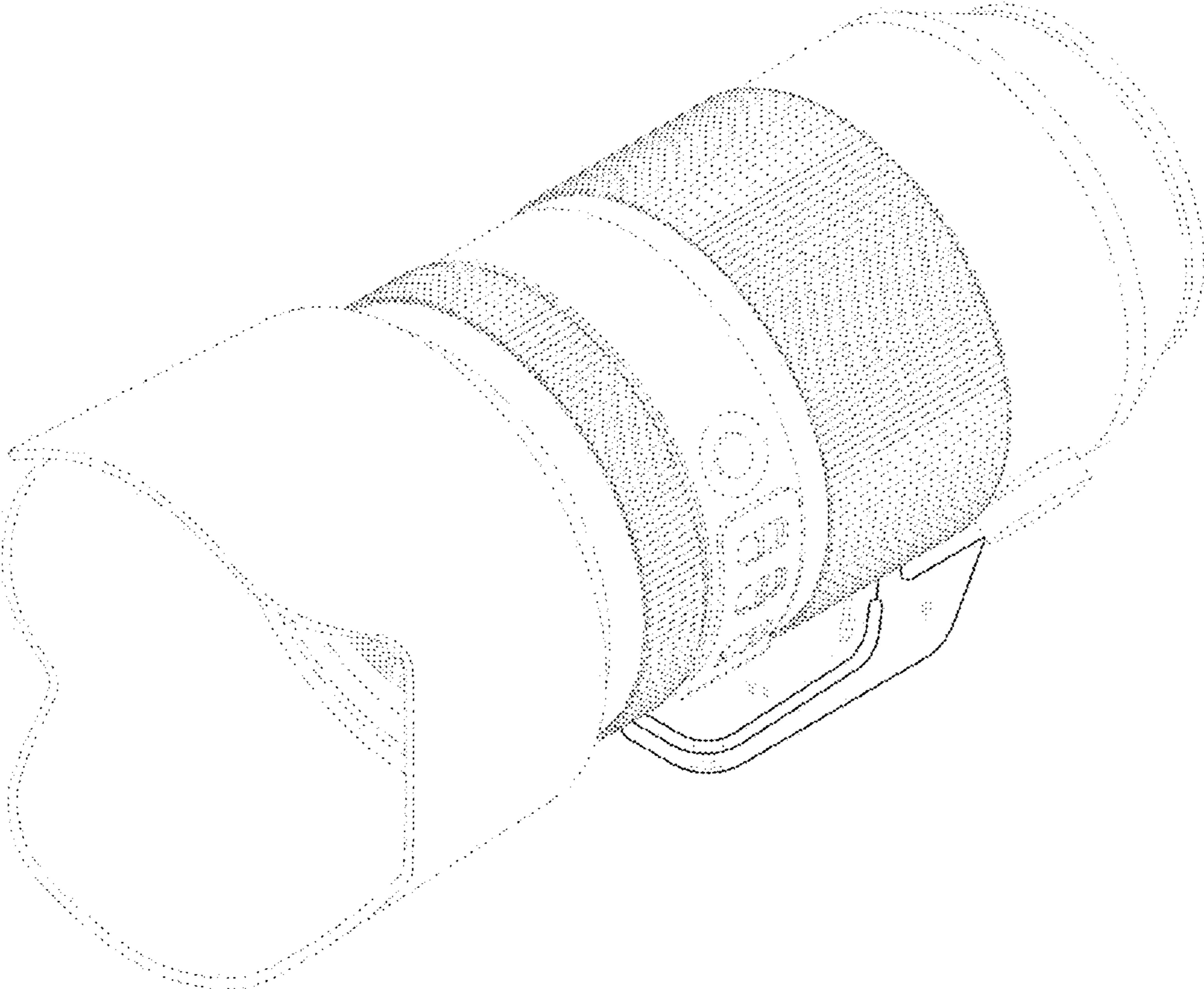


FIG. 2

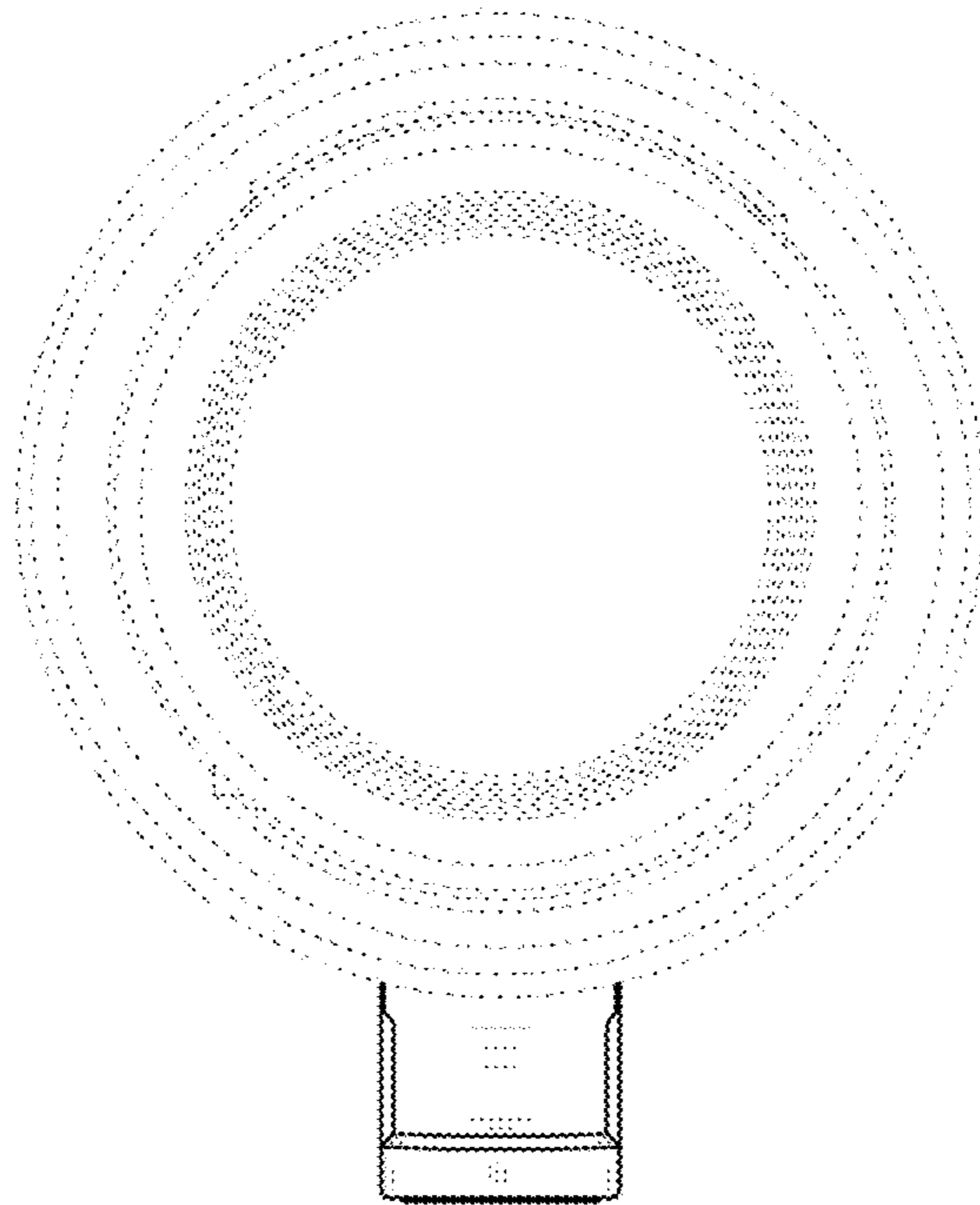


FIG. 3

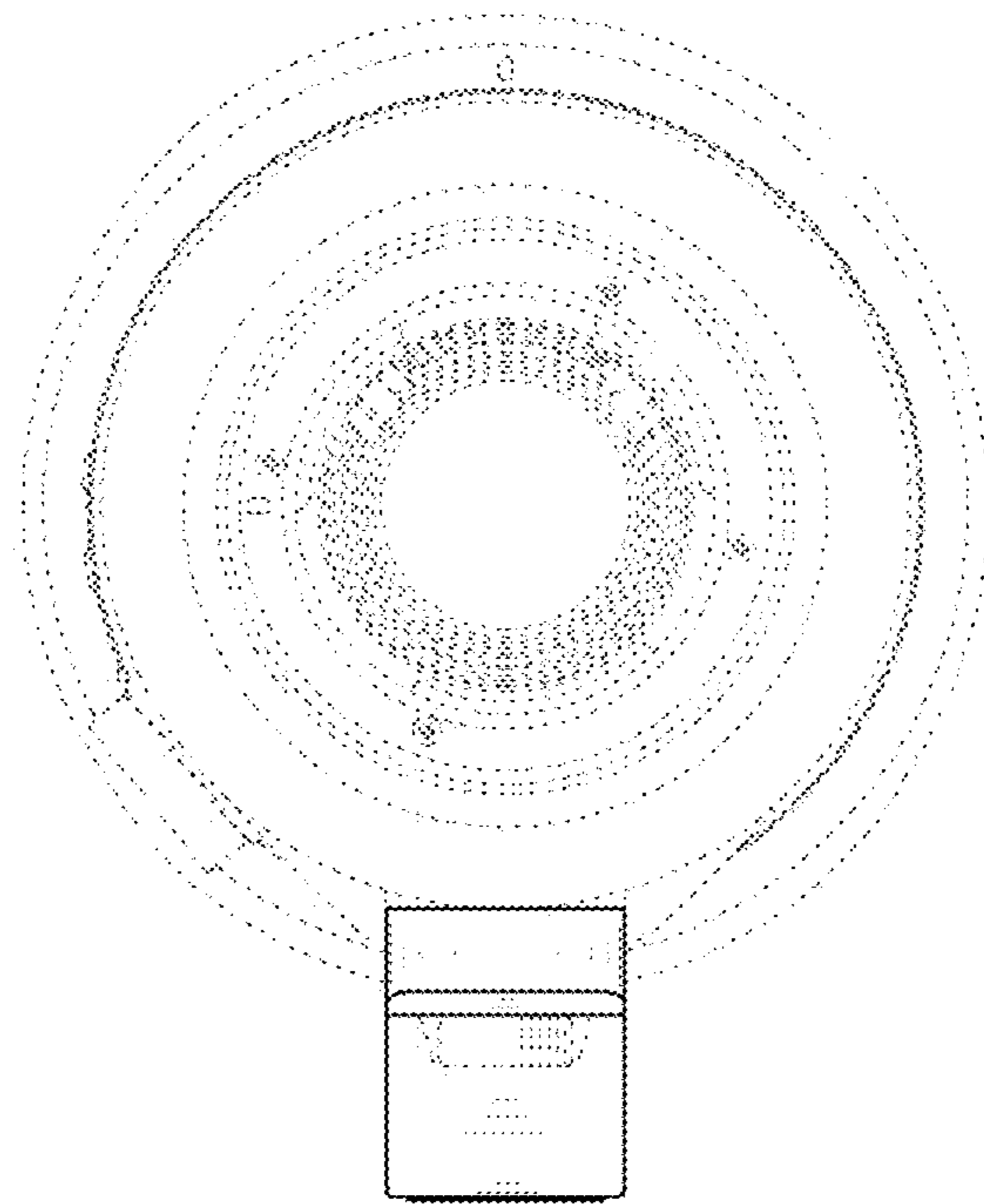


FIG. 4

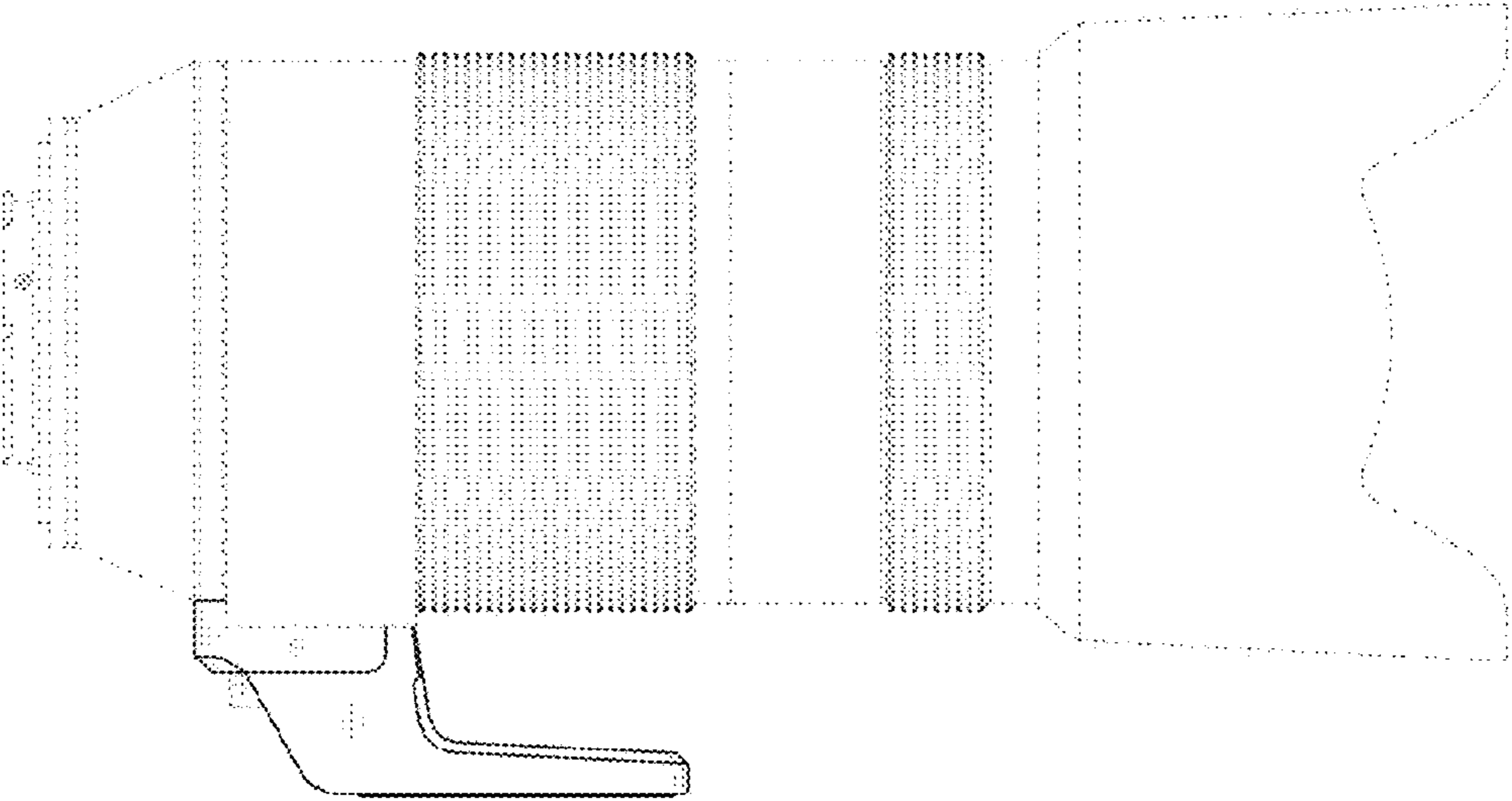


FIG. 5

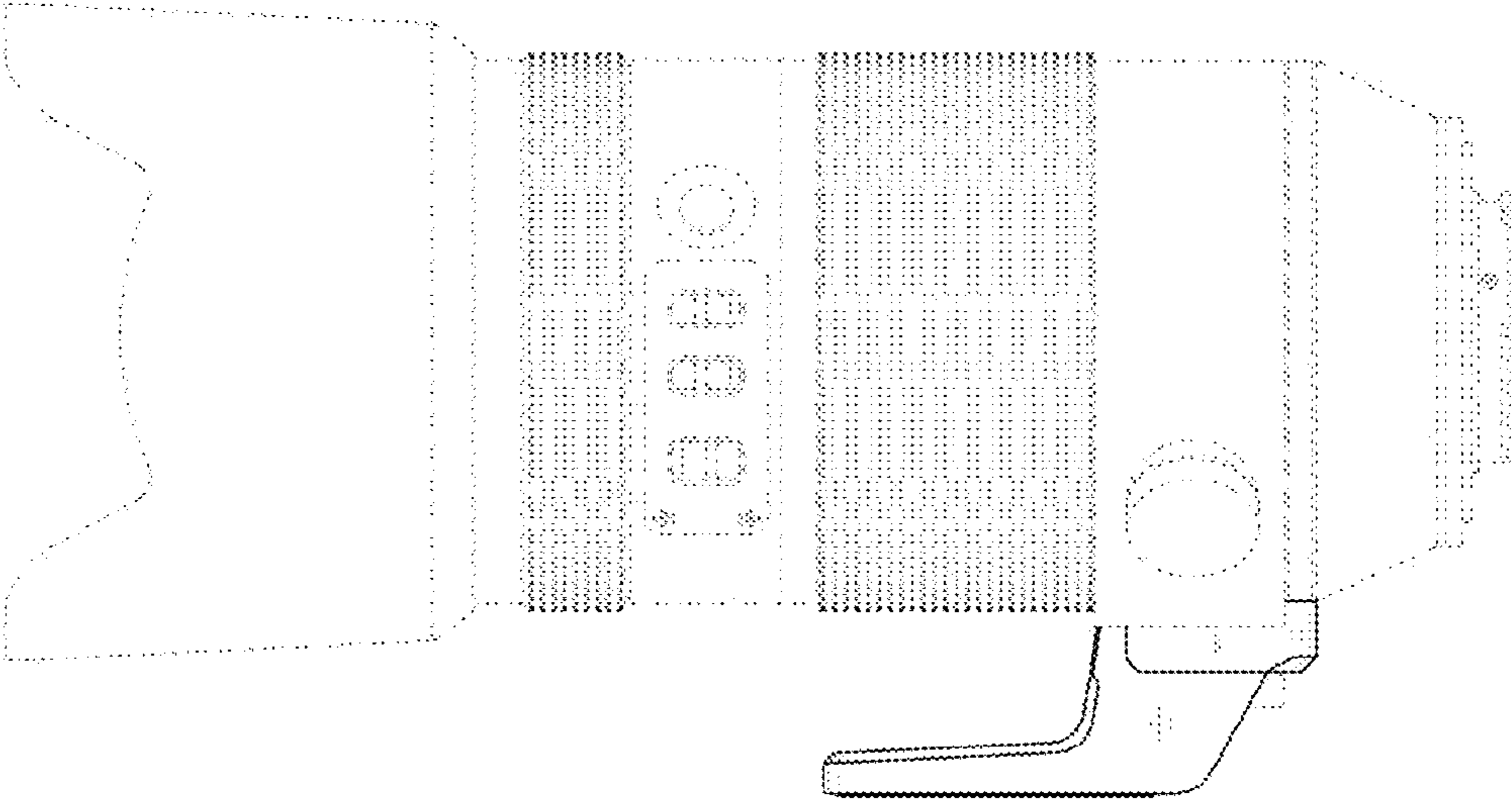


FIG. 6

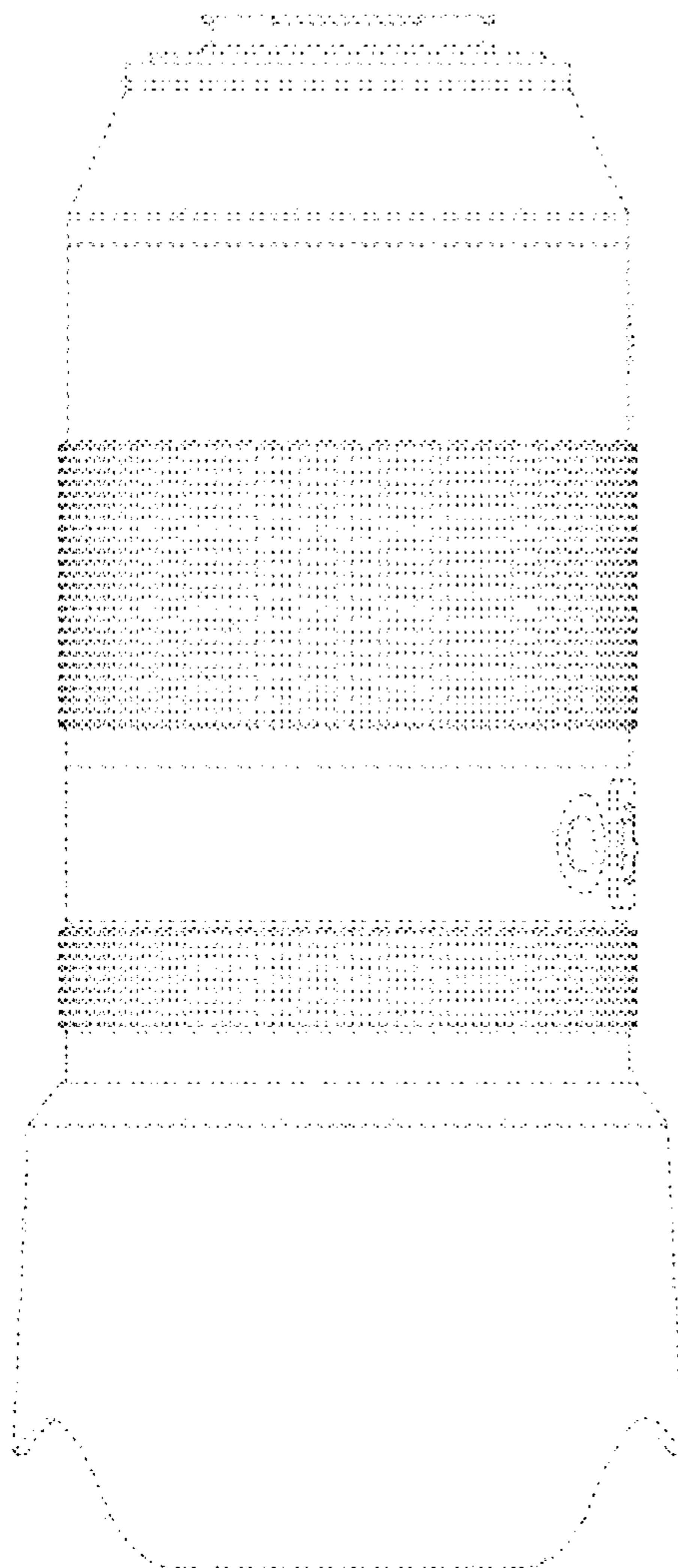


FIG. 7

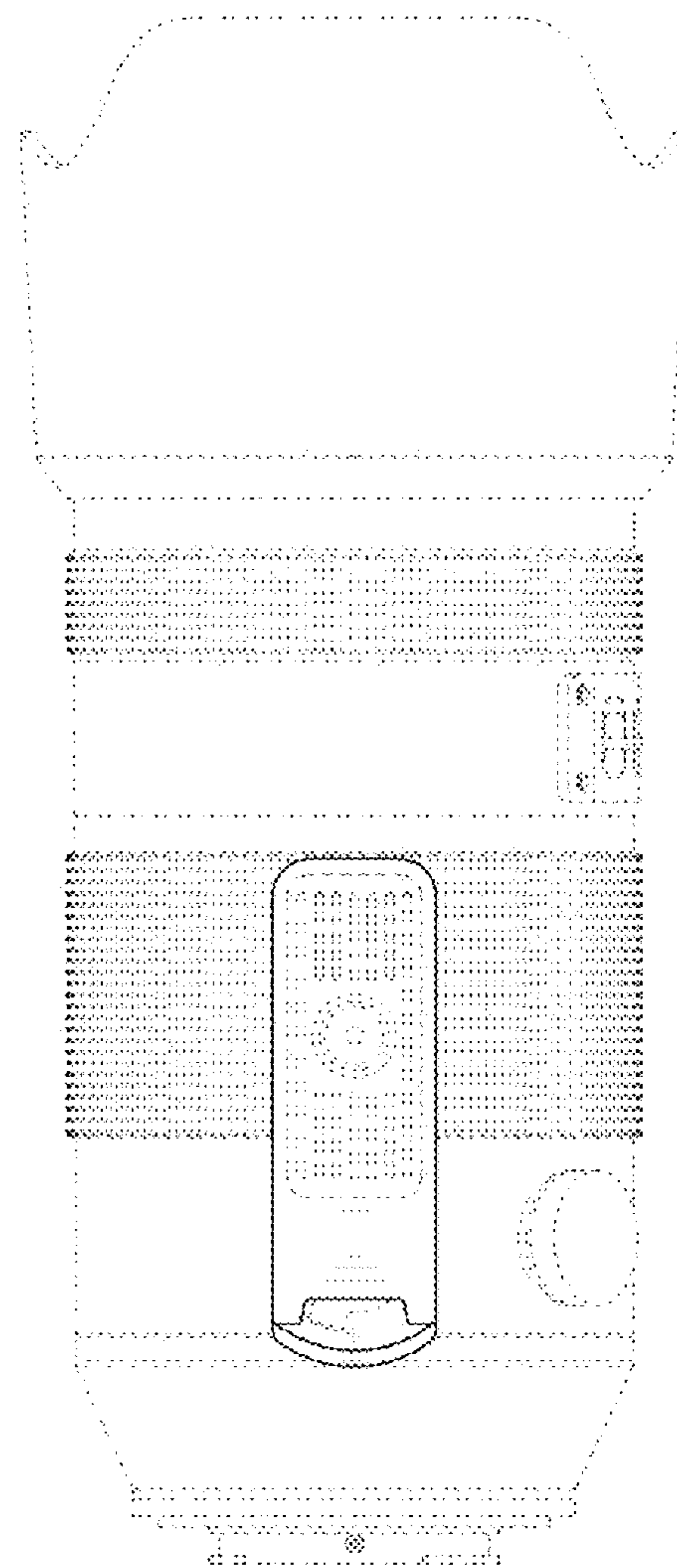


FIG. 8

