



US00D754233S

(12) **United States Design Patent**
Du et al.

(10) **Patent No.:** **US D754,233 S**
(45) **Date of Patent:** **** Apr. 19, 2016**

(54) **FOLDING CAMERA**

(71) Applicant: **Shenzhen Foscam Intelligent Technology Co., Ltd.**, Shenzhen (CN)

(72) Inventors: **Hao Du**, Shenzhen (CN); **Sanwei Deng**, Shenzhen (CN); **Tao Hong**, Shenzhen (CN); **Zhiwen Zhao**, Shenzhen (CN); **Huaming Zhu**, Shenzhen (CN)

(**) Term: **14 Years**

(21) Appl. No.: **29/506,801**

(22) Filed: **Oct. 20, 2014**

(51) **LOC (10) Cl.** **16-01**

(52) **U.S. Cl.**
USPC **D16/211**

(58) **Field of Classification Search**
USPC D16/200, 202–205, 208, 211, 214, 218, D16/219, 221, 242; D14/447; 348/14.01–14.06, 143, 148, 373–376; 396/419, 427, 535, 539–541
CPC G03B 17/02; G03B 19/04; G03B 17/56; G03B 17/04; G03B 15/03; H04N 5/2251; H04N 5/2252; H04N 5/2253; H04N 5/2254; H04N 2007/145; H04N 7/141; H04N 7/142; H04N 7/147; H04N 7/148; H04N 7/15; H04N 7/152

See application file for complete search history.

(56) **References Cited**

U.S. PATENT DOCUMENTS

D312,829 S * 12/1990 Kuroki D16/214
D399,860 S * 10/1998 Huang D16/202

D573,622 S * 7/2008 Fisher et al. D16/202
D575,316 S * 8/2008 Liu et al. D16/202
D593,566 S * 6/2009 Richter D14/447
D613,731 S * 4/2010 Yeo D14/253
D678,929 S * 3/2013 Hancock D16/203
D680,151 S * 4/2013 Katori D16/242
D721,754 S * 1/2015 Chen D16/202
D729,296 S * 5/2015 Shelton D16/202
D733,781 S * 7/2015 Chen D16/202
2007/0222888 A1 * 9/2007 Xiao et al. 348/373

* cited by examiner

Primary Examiner — Adir Aronovich

Assistant Examiner — Ramzi Almatrahi

(74) *Attorney, Agent, or Firm* — Prakash Nama; Global IP Services, PLLC

(57) **CLAIM**

The ornamental design for a folding camera, as shown and described.

DESCRIPTION

FIG. 1 is a front elevational view of a folding camera showing our new design;

FIG. 2 is a rear elevational view thereof;

FIG. 3 is a left side elevational view thereof;

FIG. 4 is a right side elevational view thereof;

FIG. 5 is a top plan view thereof;

FIG. 6 is a bottom plan view thereof;

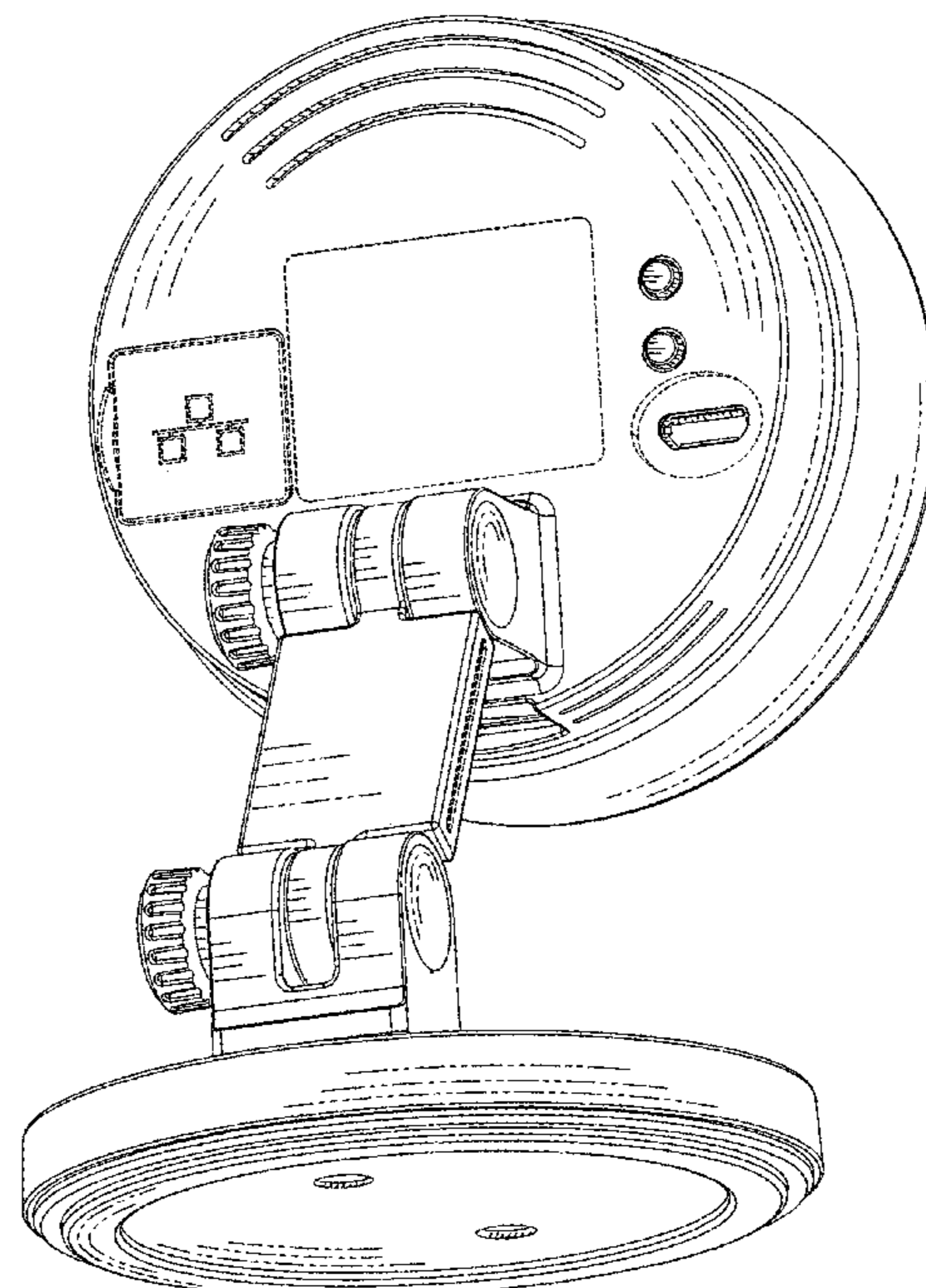
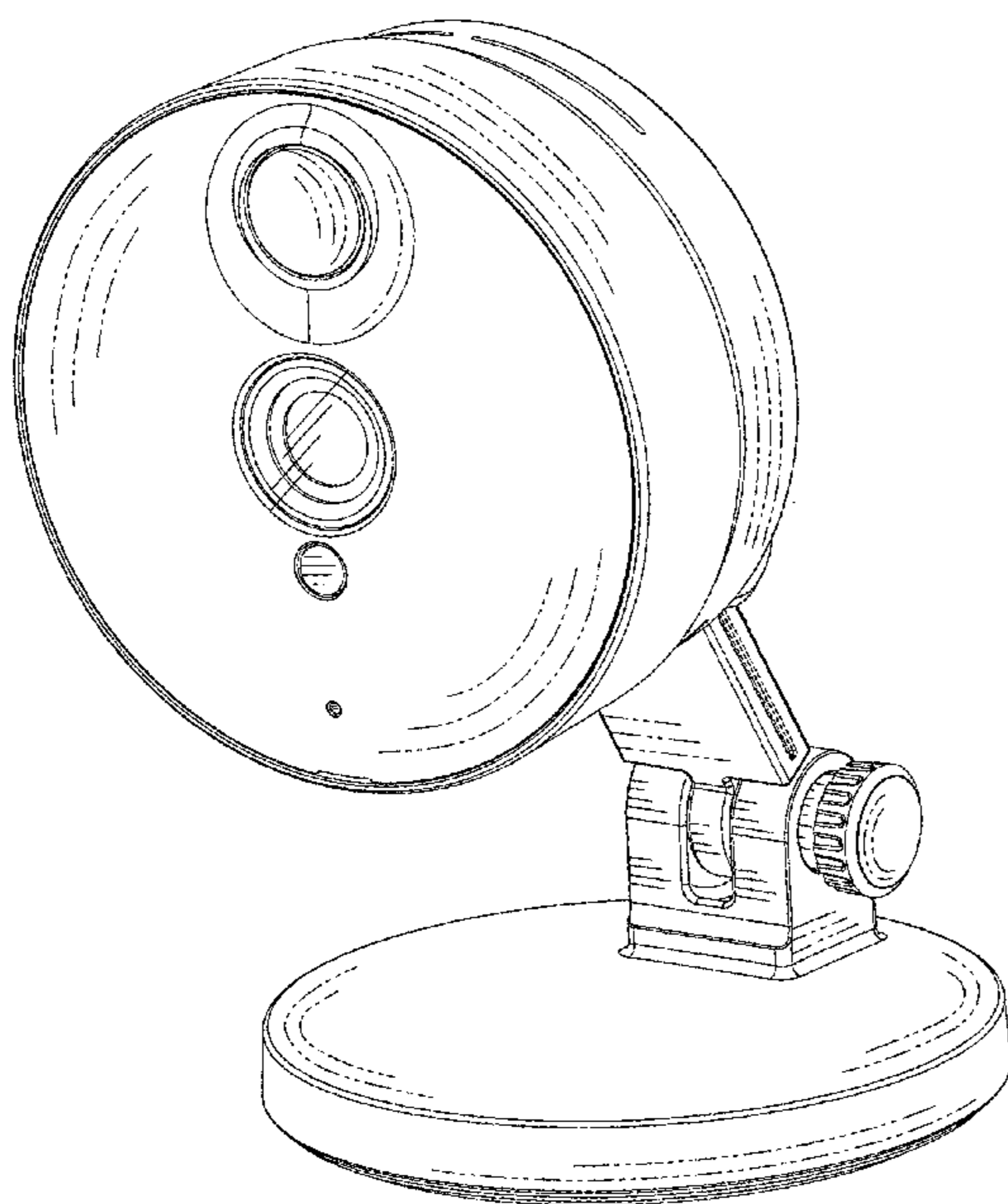
FIG. 7 is a front perspective view thereof;

FIG. 8 is a rear perspective view thereof; and,

FIG. 9 is a right side elevational view thereof, showing the camera in a folded configuration.

The broken lines depict portions of the folding camera in which the design is embodied and form no part of the claimed design.

1 Claim, 9 Drawing Sheets



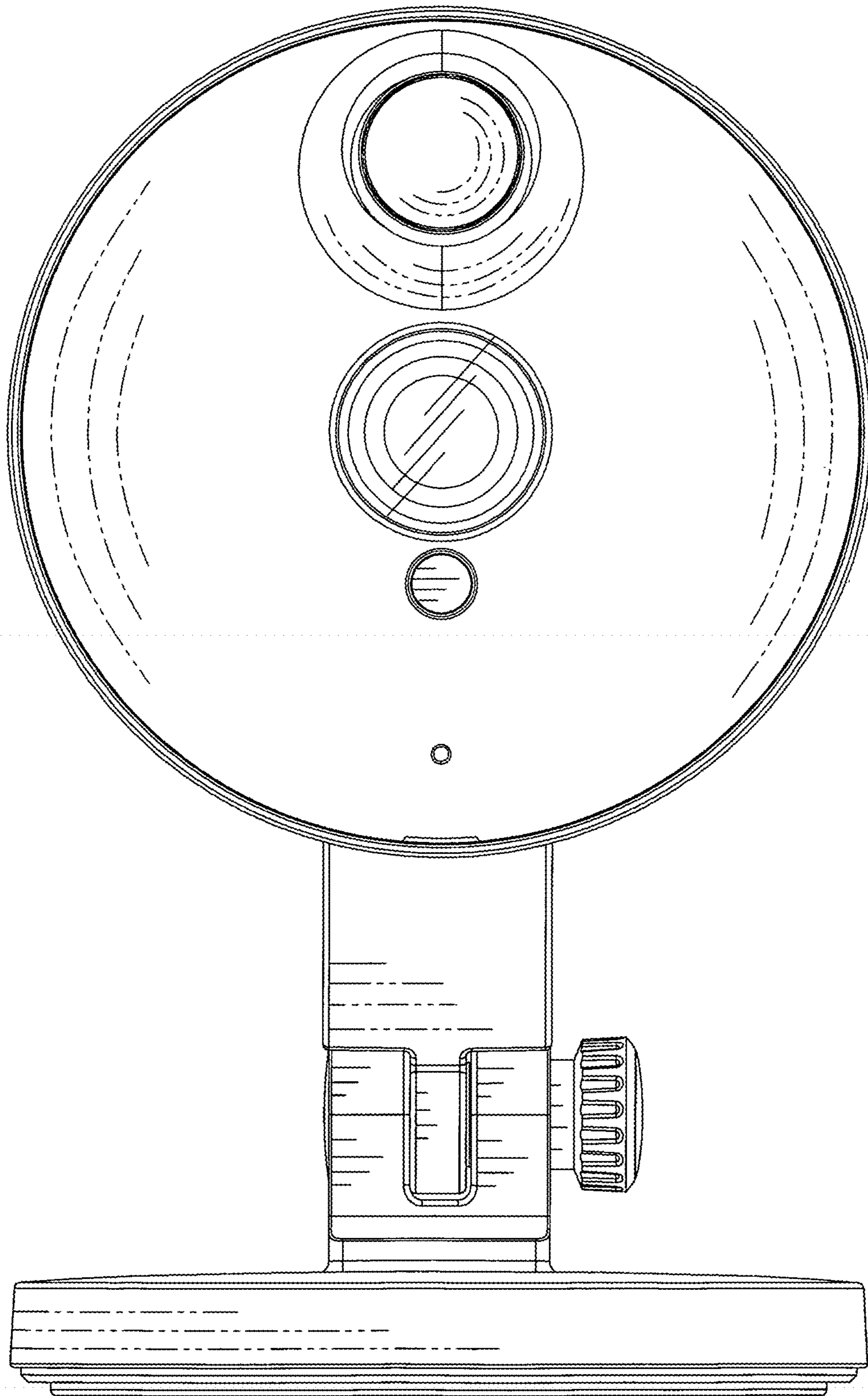


FIG. 1

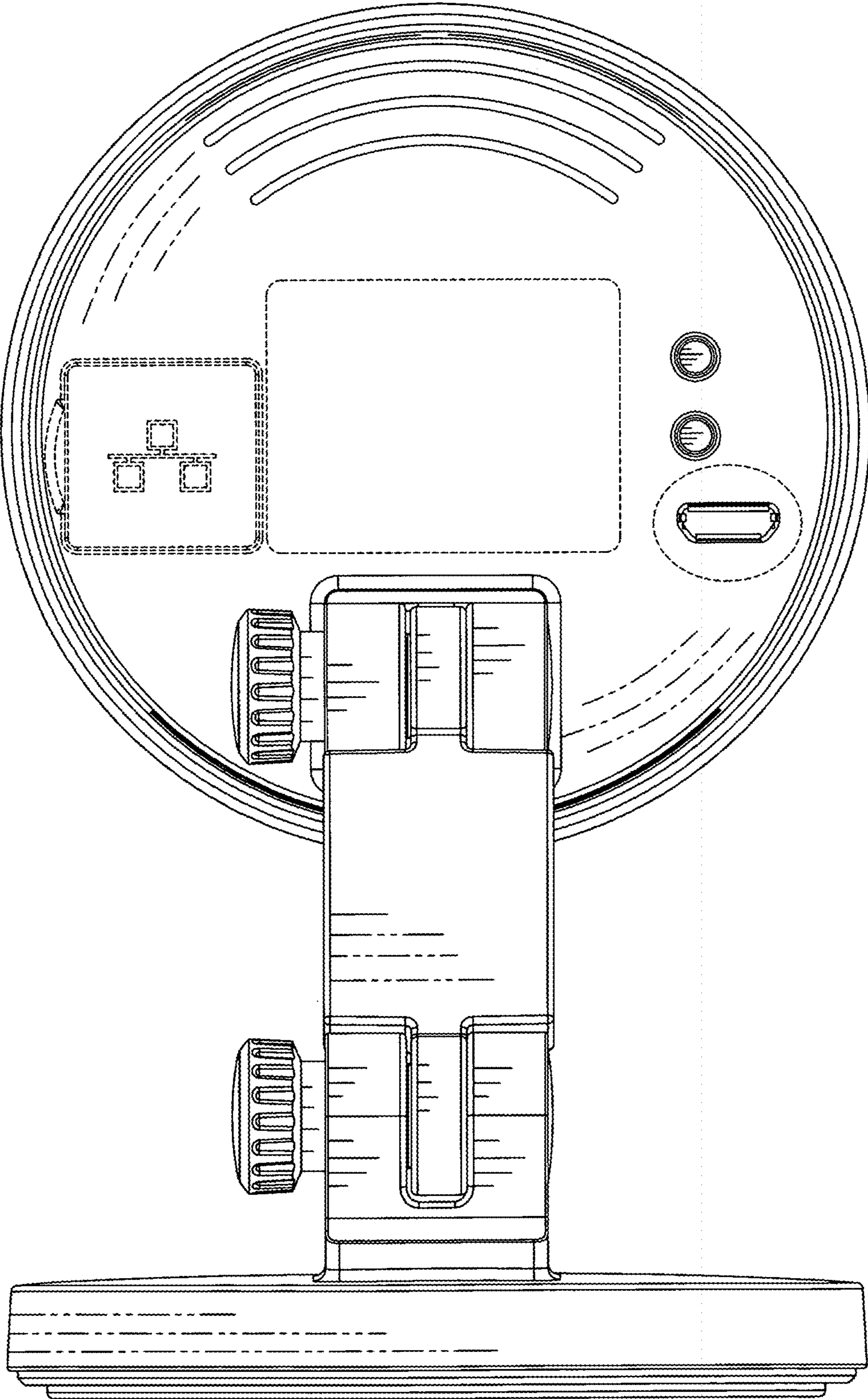


FIG. 2

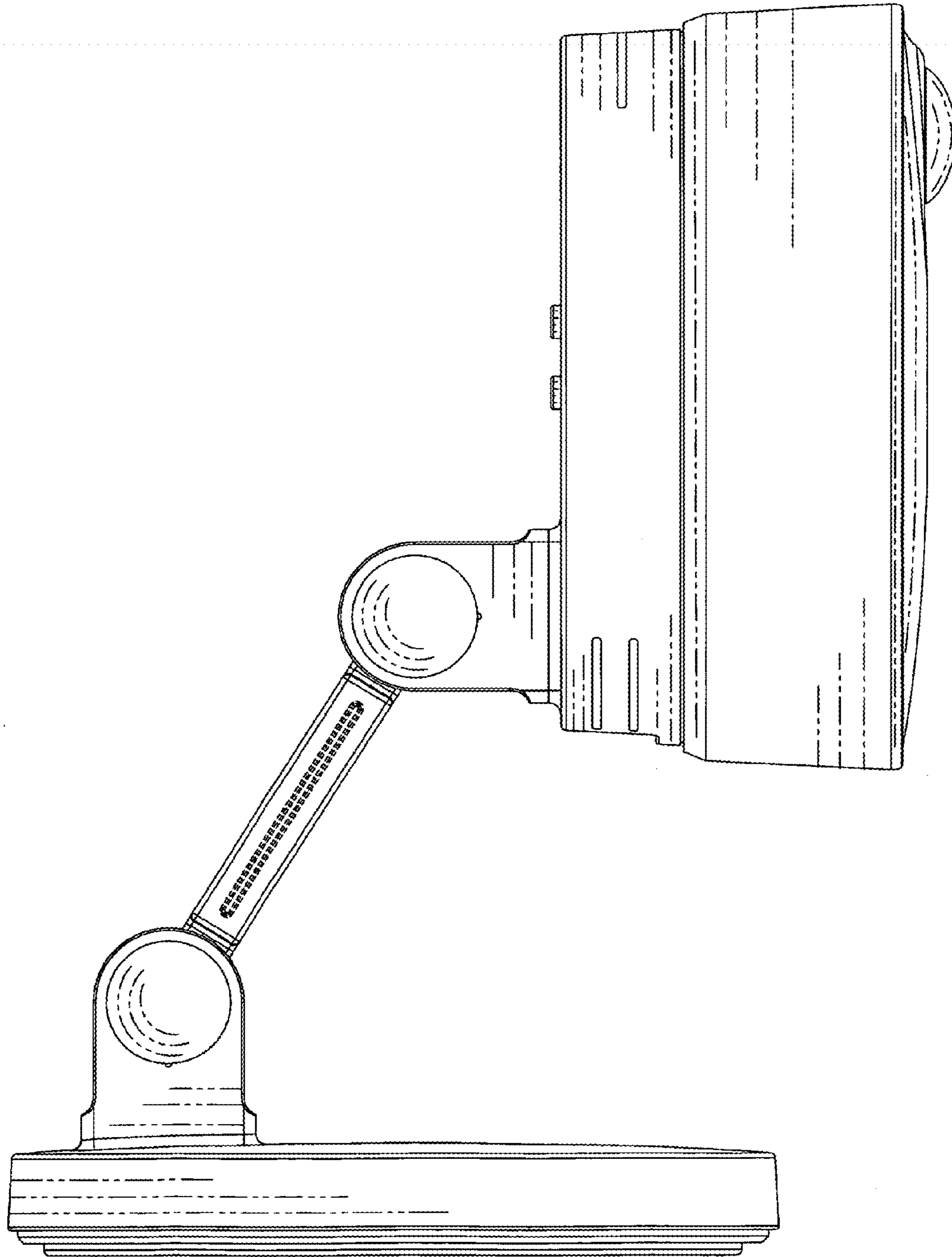


FIG. 3

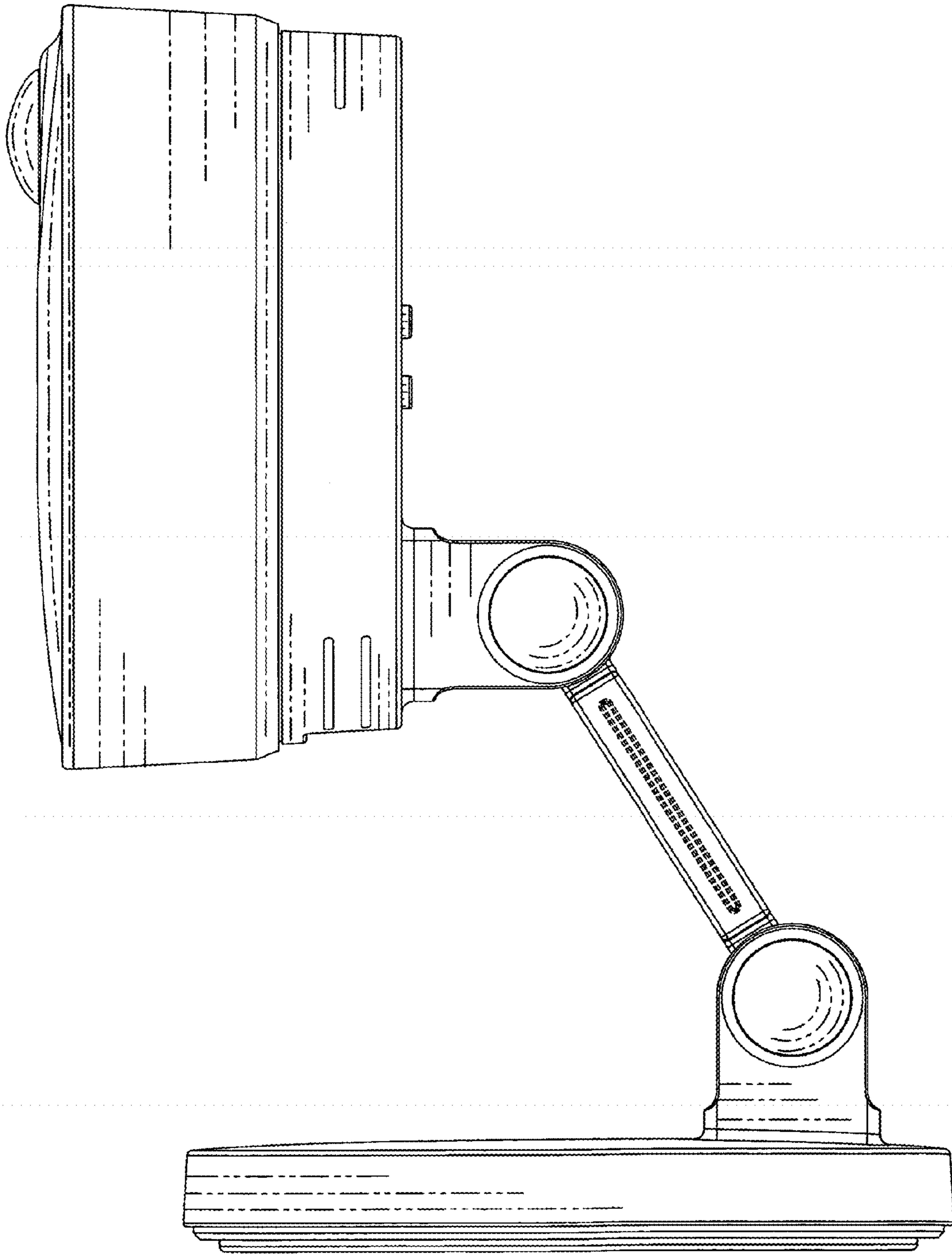


FIG. 4

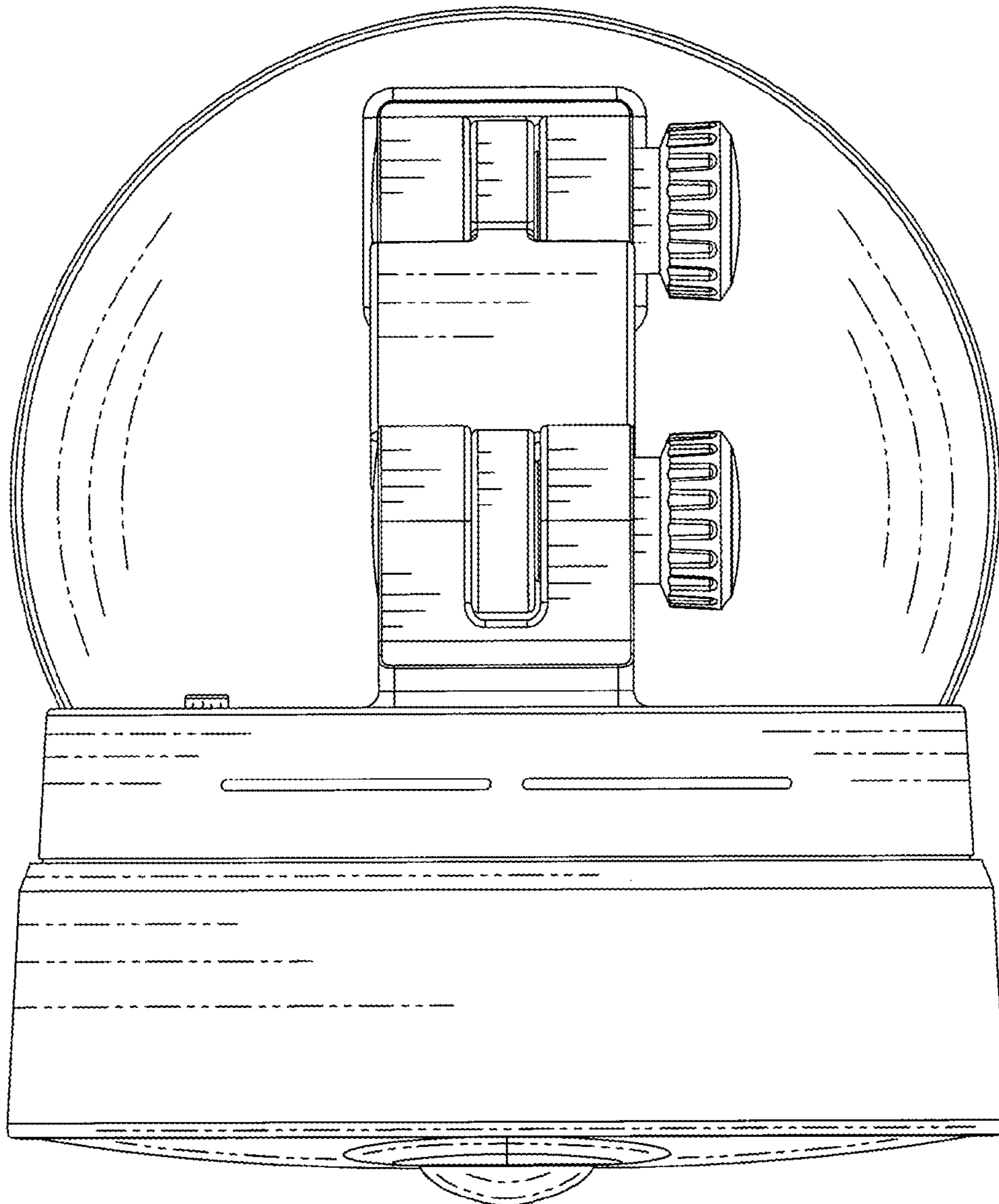


FIG. 5

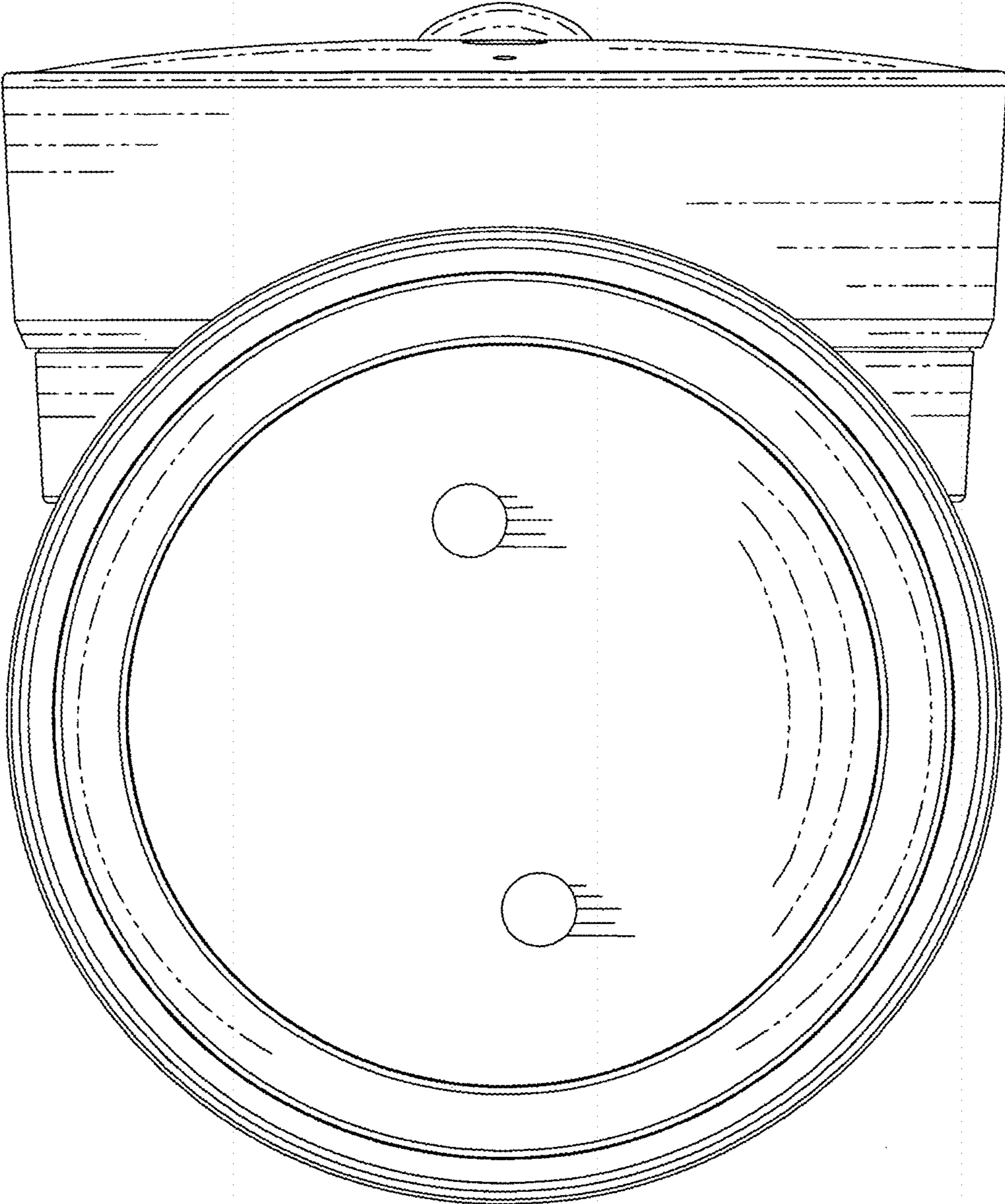


FIG. 6

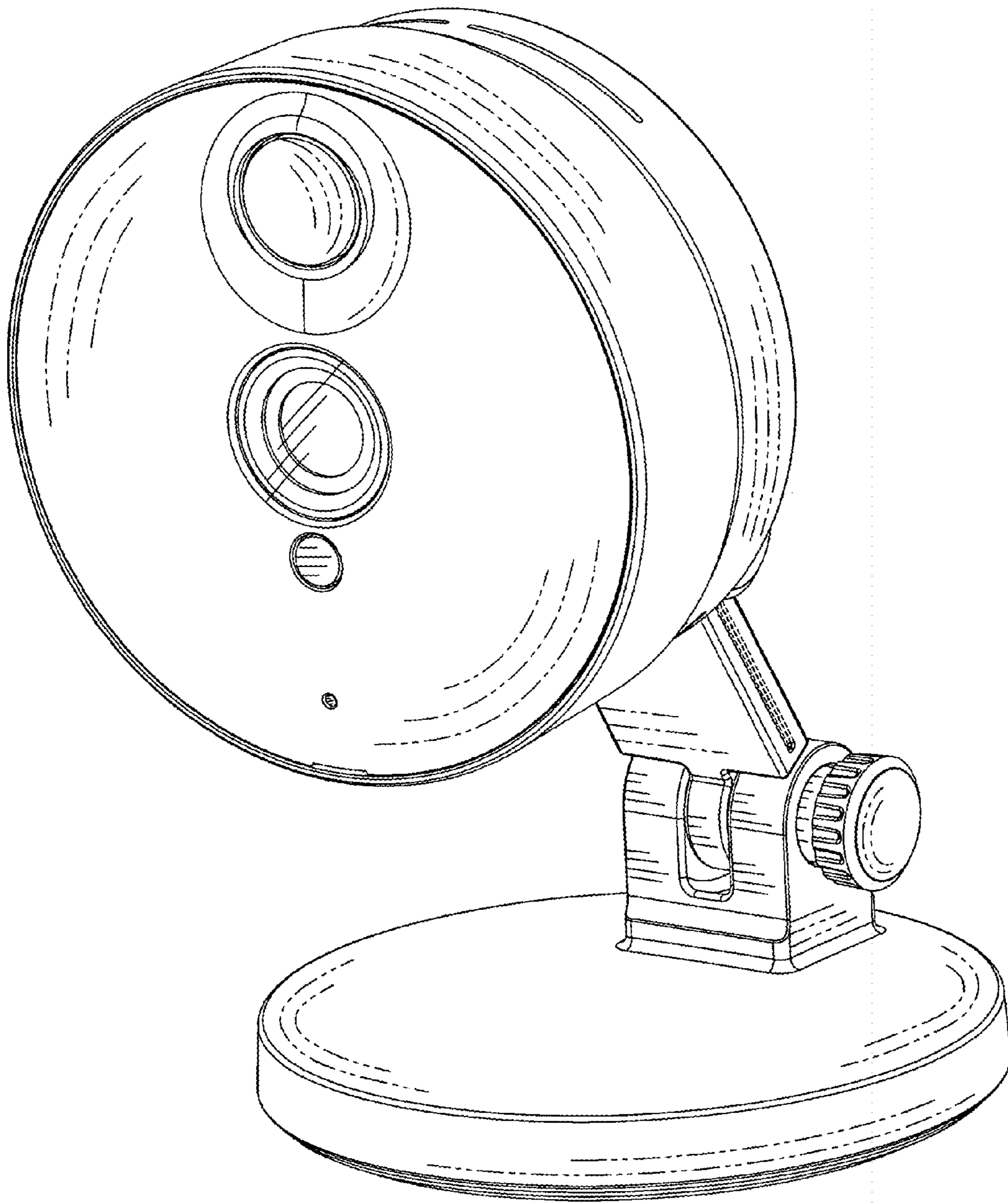


FIG. 7

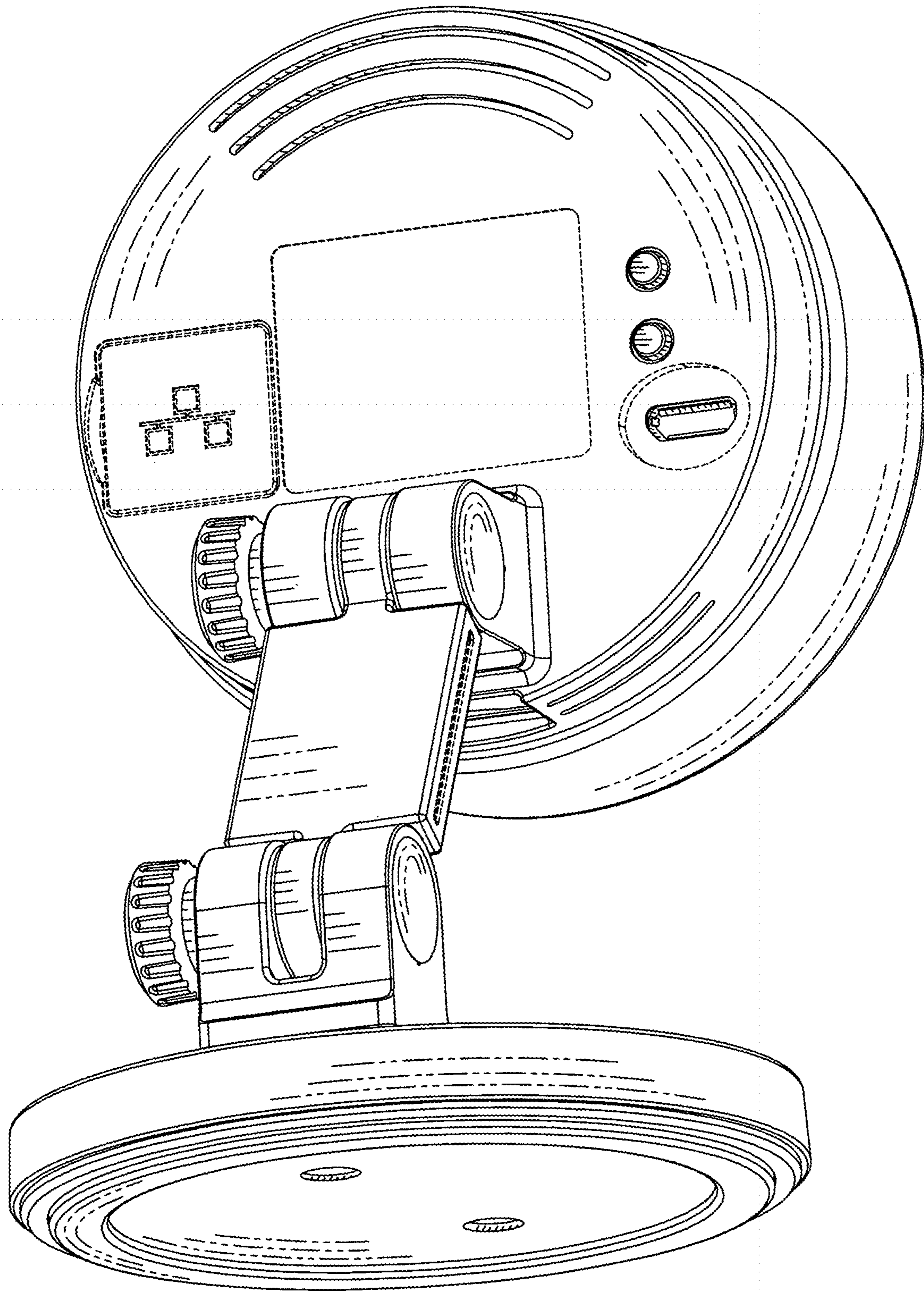


FIG. 8

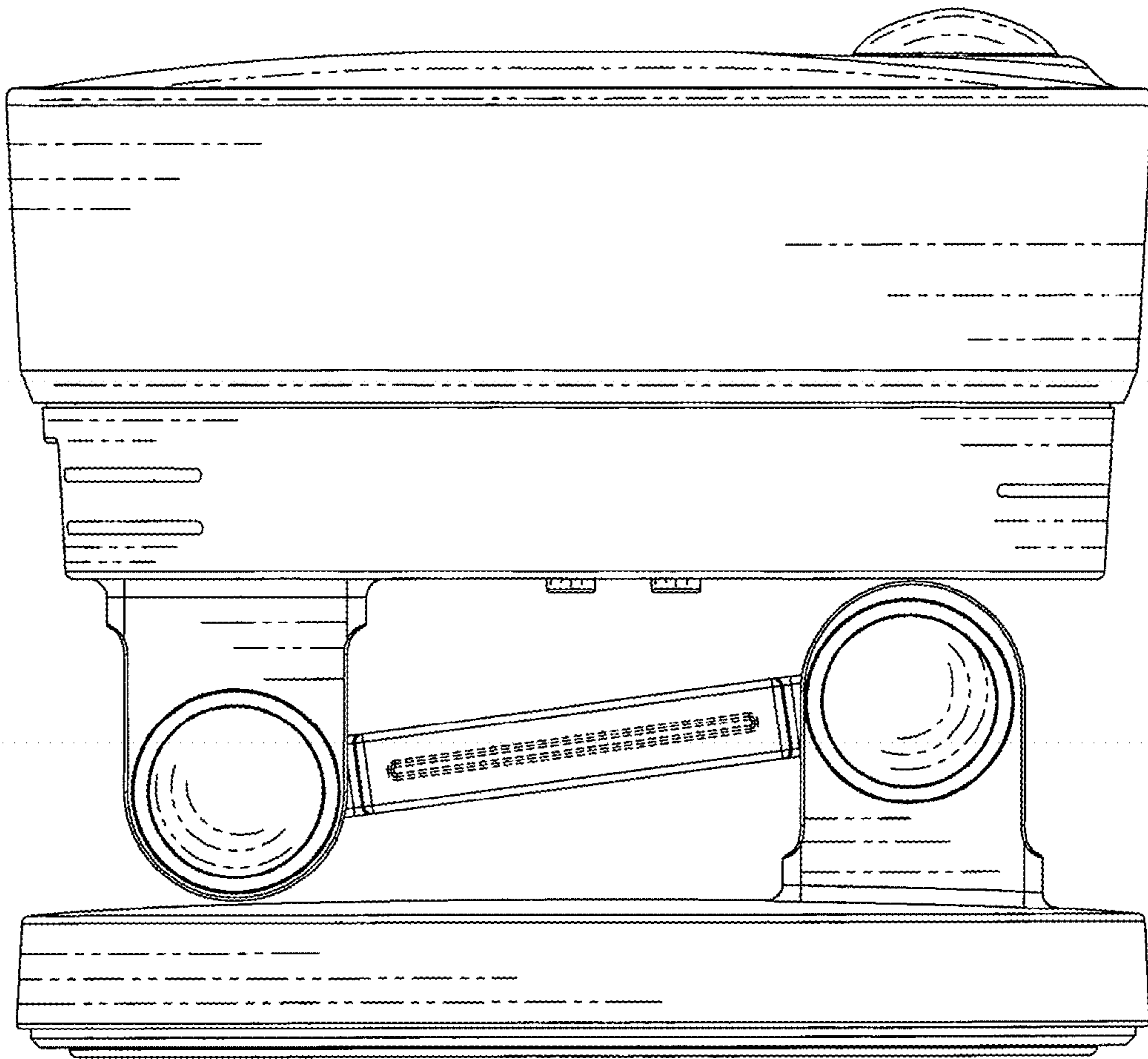


FIG. 9