



US00D754232S

(12) **United States Design Patent**
Edwards et al.

(10) **Patent No.:** **US D754,232 S**
(45) **Date of Patent:** **** Apr. 19, 2016**

(54) **ACQUISITION AND TARGETING DEVICE**

(71) Applicant: **Kopin Corporation**, Westborough, MA (US)

(72) Inventors: **Timothy James Edwards**, Scotts Valley, CA (US); **Timothy Brandon Hogan**, Allen, TX (US); **Cathy Ji Kyung Yoon**, Scotts Valley, CA (US)

(73) Assignee: **Kopin Corporation**, Westborough, MA (US)

(**) Term: **14 Years**

(21) Appl. No.: **29/507,459**

(22) Filed: **Oct. 28, 2014**

(51) **LOC (10) Cl.** **16-01**

(52) **U.S. Cl.**
USPC **D16/208**; D22/109

(58) **Field of Classification Search**
USPC D16/200, 202–205, 208, 218, 219, 235, D16/242; D22/108–110; 250/214 VT, 574; 348/164, 360; 359/358, 819, 826–828; 396/529–532; 42/90, 99, 111–114, 146
CPC G03B 17/02; G03B 19/04; G03B 17/56; G03B 17/04; G03B 15/03; G03B 17/14; H04N 5/2251; H04N 5/2252; H04N 5/2253; H04N 5/2254
See application file for complete search history.

(56) **References Cited**

U.S. PATENT DOCUMENTS

D450,074 S *	11/2001	Miyashita	D16/202
D586,376 S *	2/2009	Kurfiss	D16/200
D586,874 S *	2/2009	Moody	D22/109
D610,186 S *	2/2010	Jannard	D16/202
D629,435 S *	12/2010	Barley	D16/202
8,015,744 B1 *	9/2011	Swan	F41G 1/065 42/133

D679,775 S *	4/2013	Cheng	D22/109
8,484,882 B2 *	7/2013	Haley	F41G 1/02 42/111
D733,250 S *	6/2015	Hu	D22/109
D733,251 S *	6/2015	Hu	D22/109
D733,832 S *	7/2015	Crispin	D22/109
D736,339 S *	8/2015	Fitzpatrick	D22/109
2012/0180370 A1 *	7/2012	McKinley	F41G 1/02 42/146

* cited by examiner

Primary Examiner — Adir Aronovich
Assistant Examiner — Ramzi Almatrahi

(74) *Attorney, Agent, or Firm* — Hamilton, Brook, Smith & Reynolds, P.C.

(57) **CLAIM**

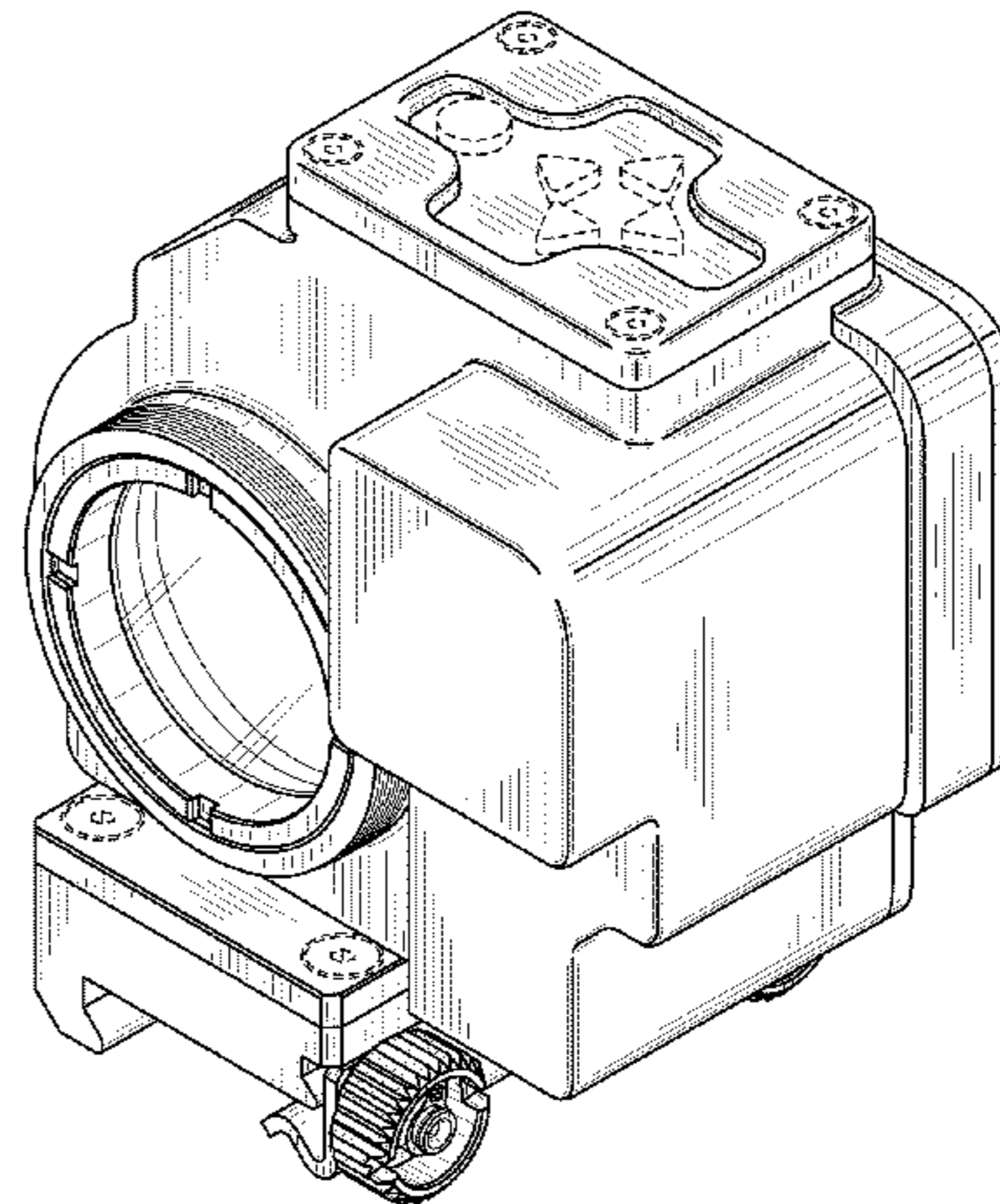
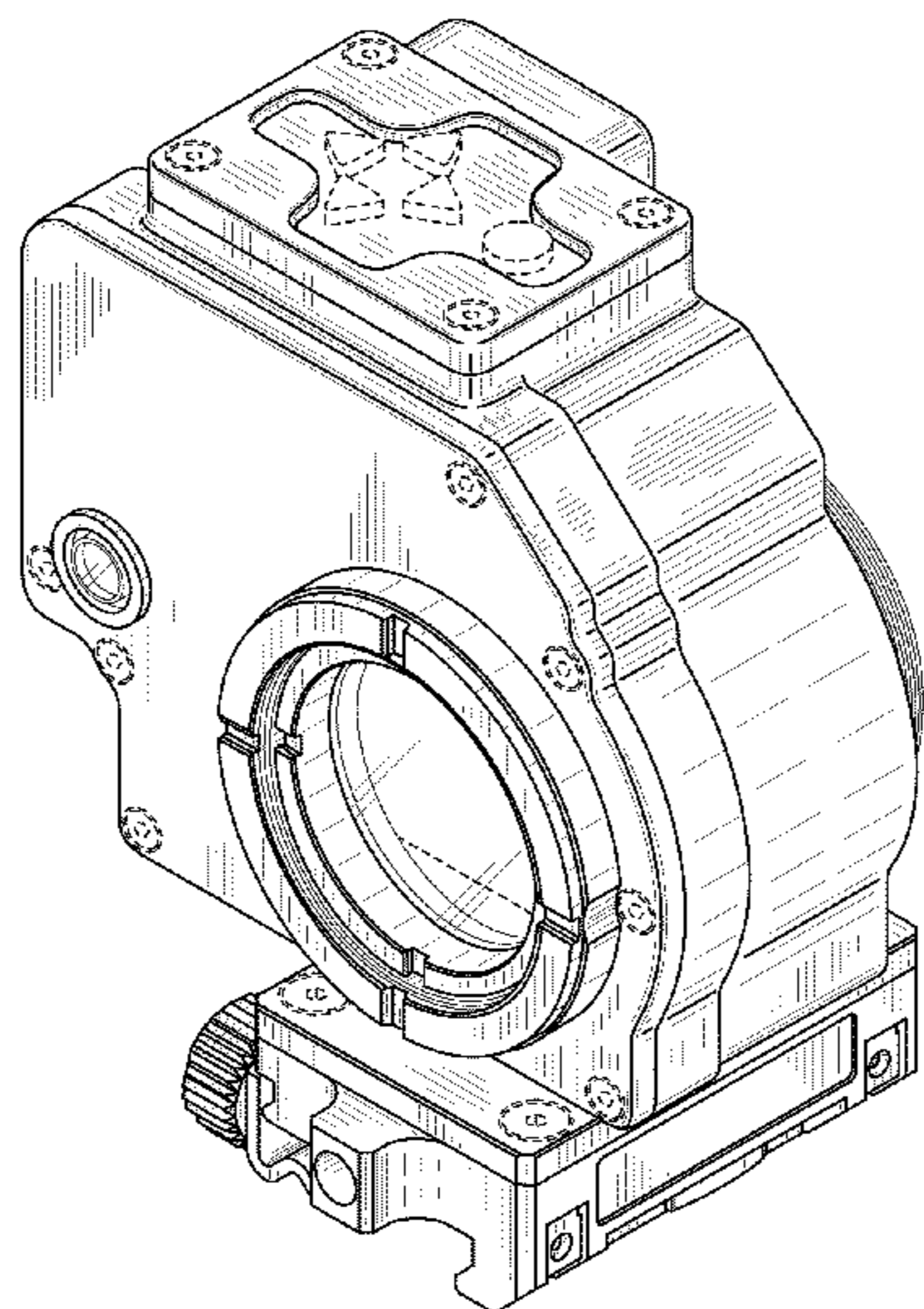
The ornamental design for an acquisition and targeting device, as shown and described.

DESCRIPTION

FIG. 1 is a top, front and right side perspective view of an acquisition and targeting device in the present invention. FIG. 2 is a top, rear and left side perspective view thereof. FIG. 3 is a front elevation view thereof. FIG. 4 is a rear elevation view thereof. FIG. 5 is a top plan view thereof. FIG. 6 is a bottom plan view thereof. FIG. 7 is a left side elevation view thereof. FIG. 8 is a right side elevation view thereof. FIG. 9 is a top and front perspective view thereof; and, FIG. 10 is a front and right side perspective view thereof. The broken lines depict portions of an acquisition and targeting device in which the design is embodied and form no part of the claimed design.

The acquisition and targeting device of the present invention can be mounted to a weapon, such as an individual weapon that can be a gun, for providing a precision acquisition and targeting system, and can provide a fully integrated fire control system.

1 Claim, 5 Drawing Sheets



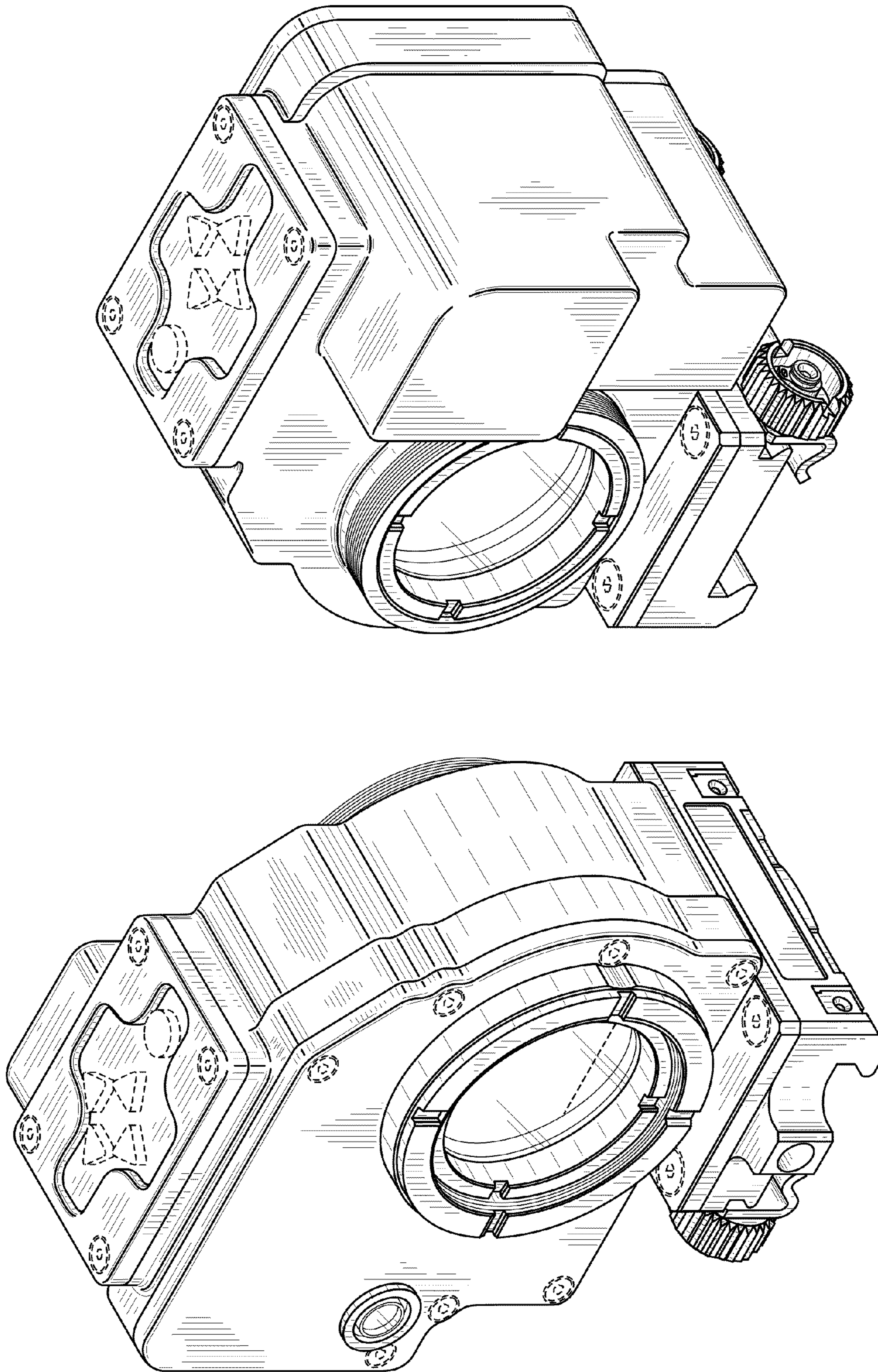
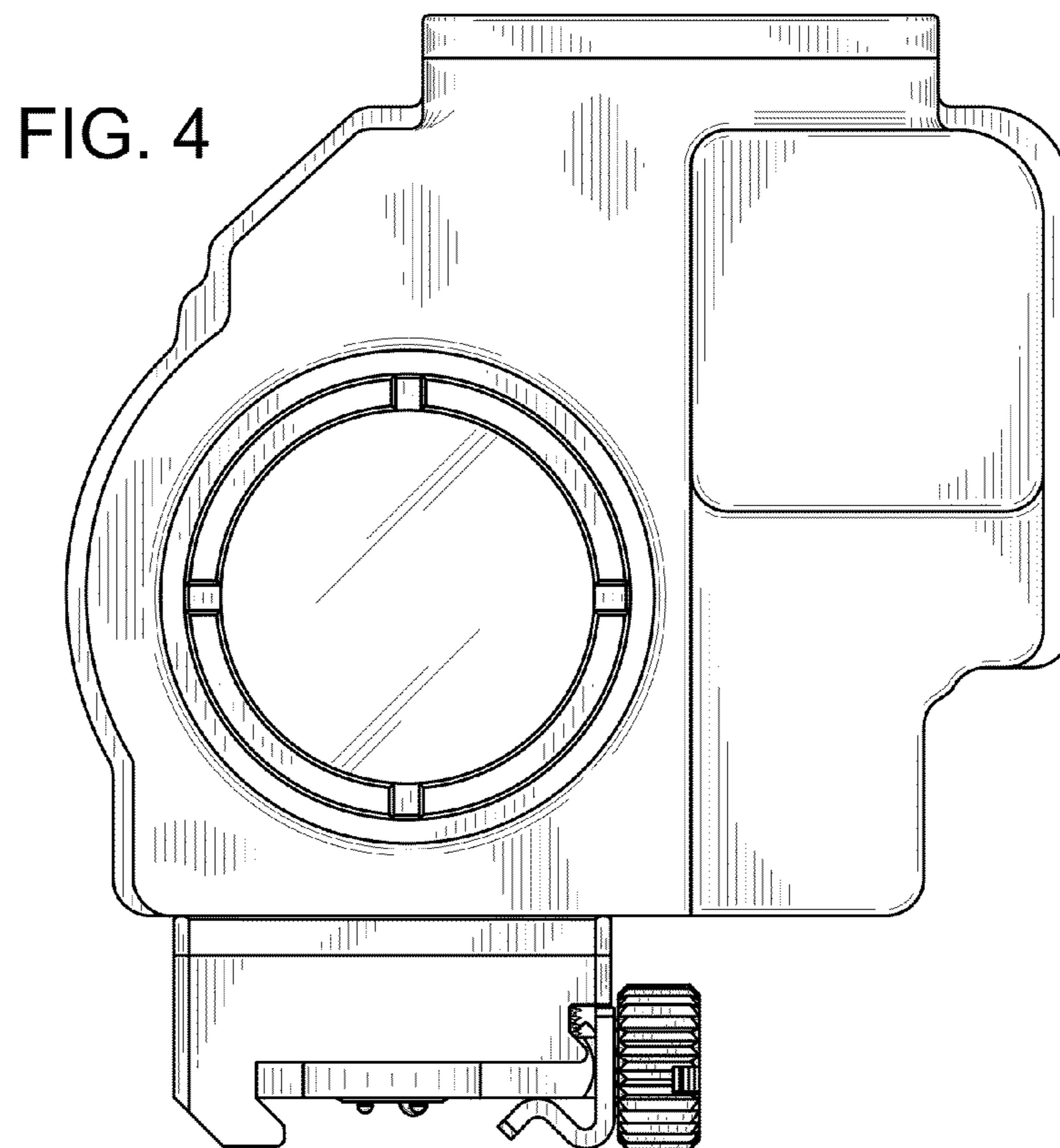
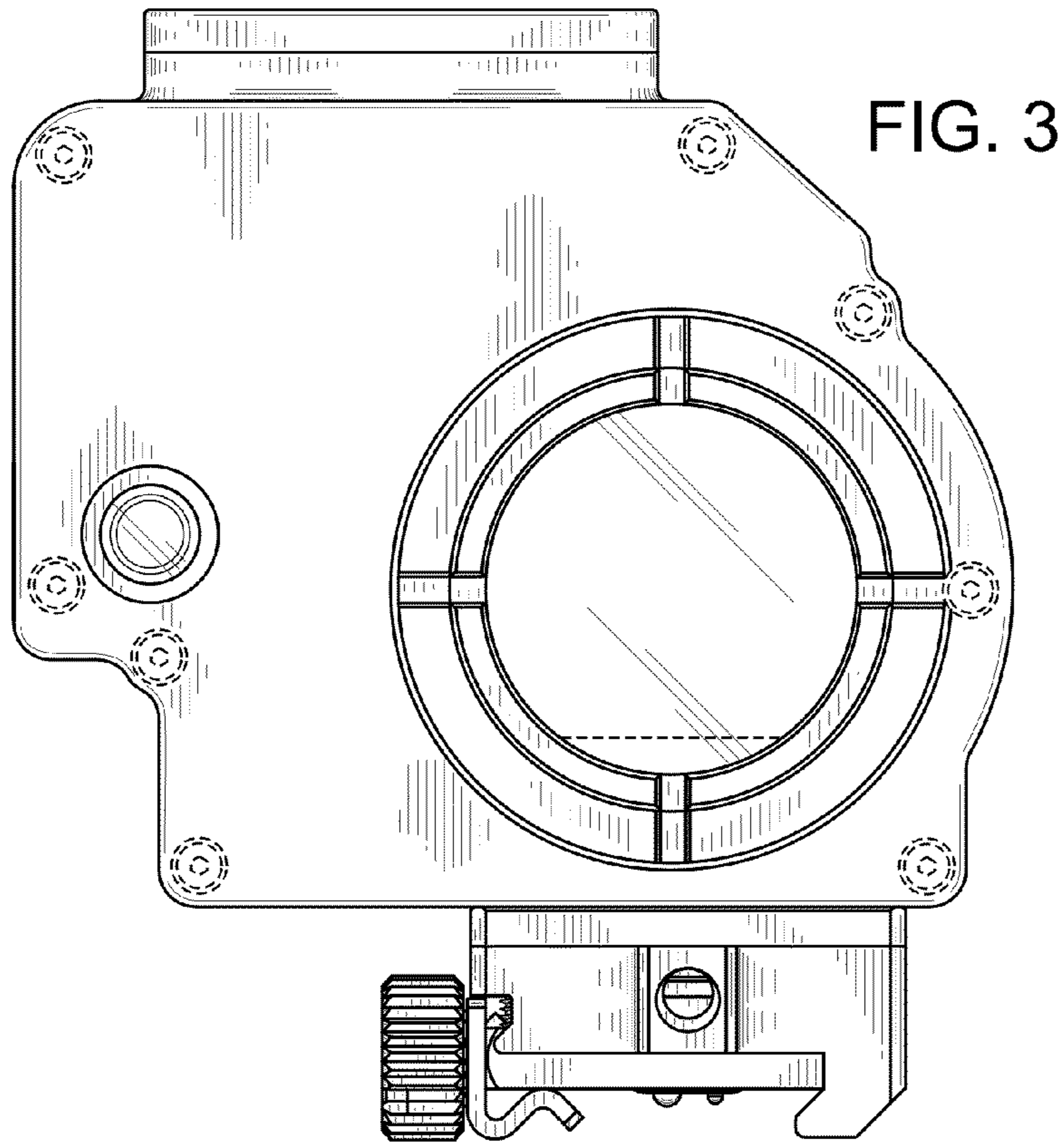


FIG. 2

FIG. 1



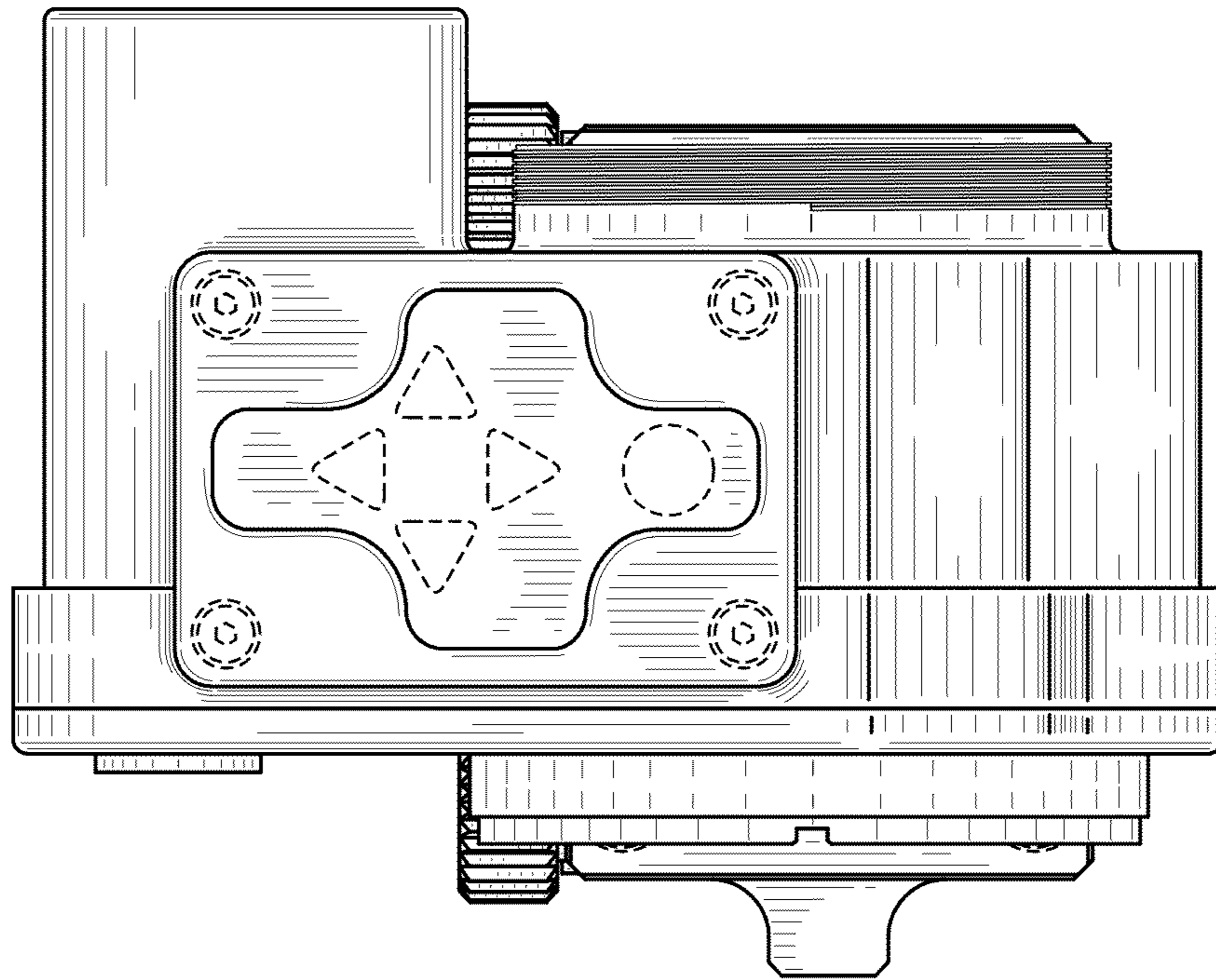


FIG. 5

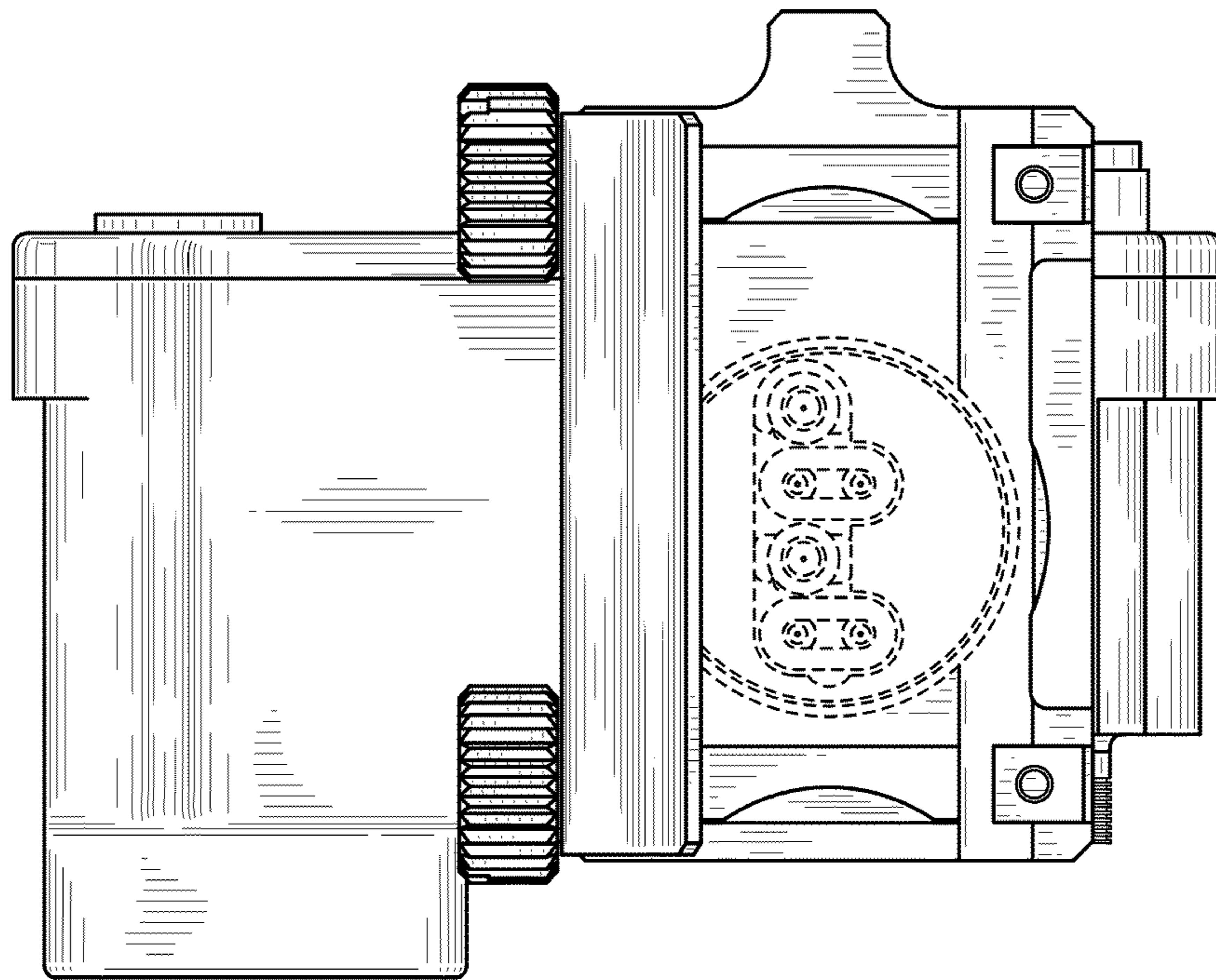


FIG. 6

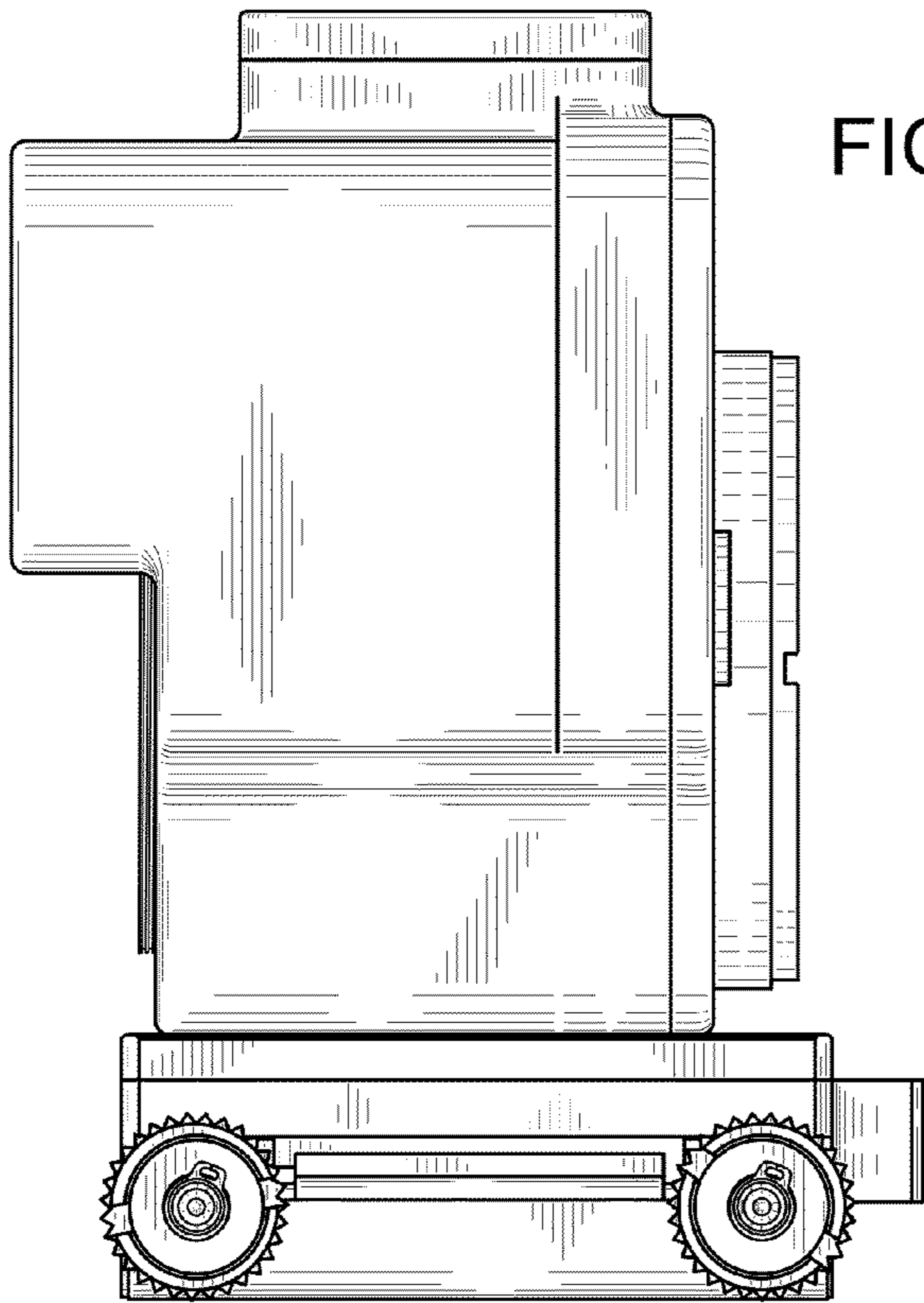


FIG. 7

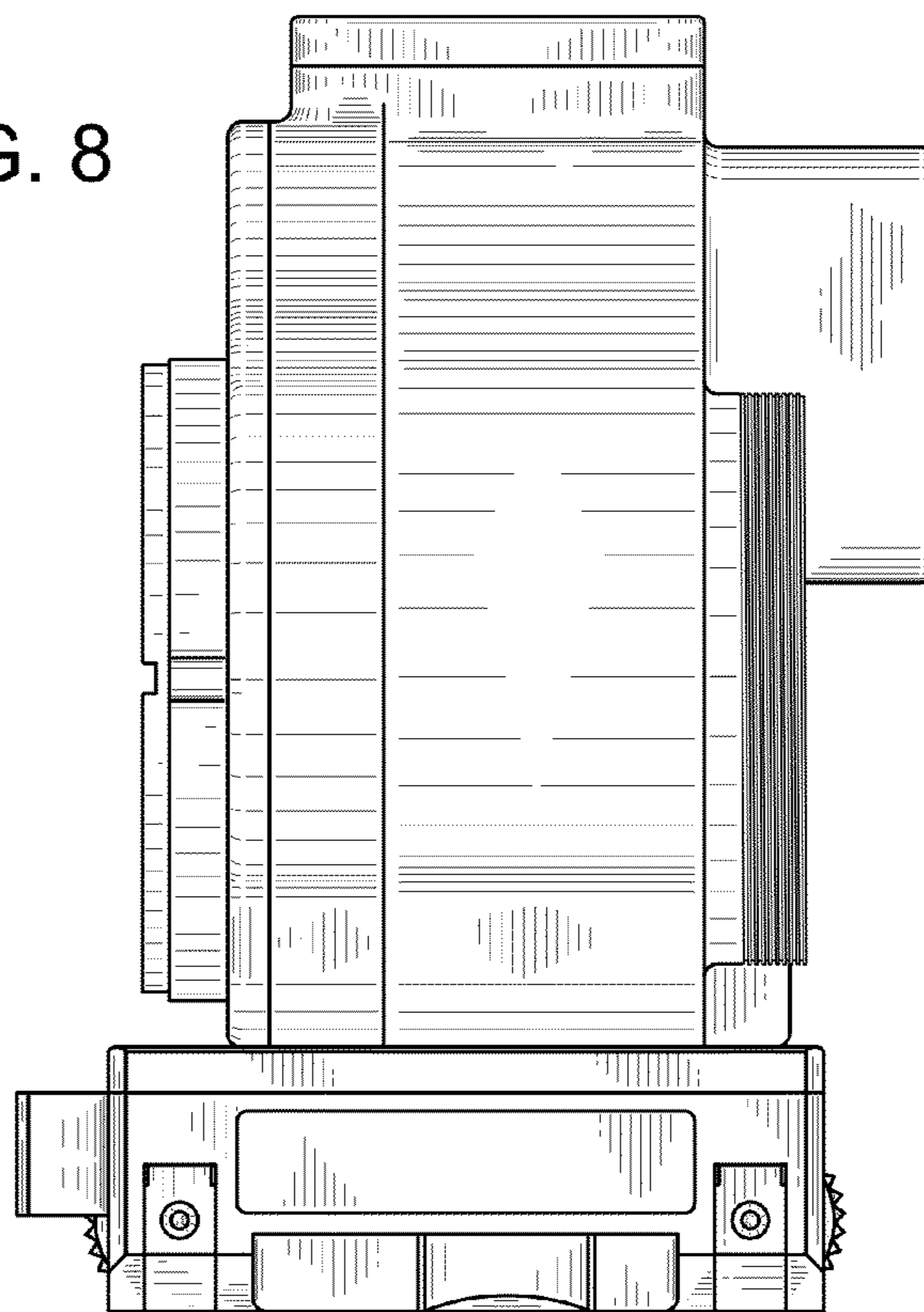


FIG. 8

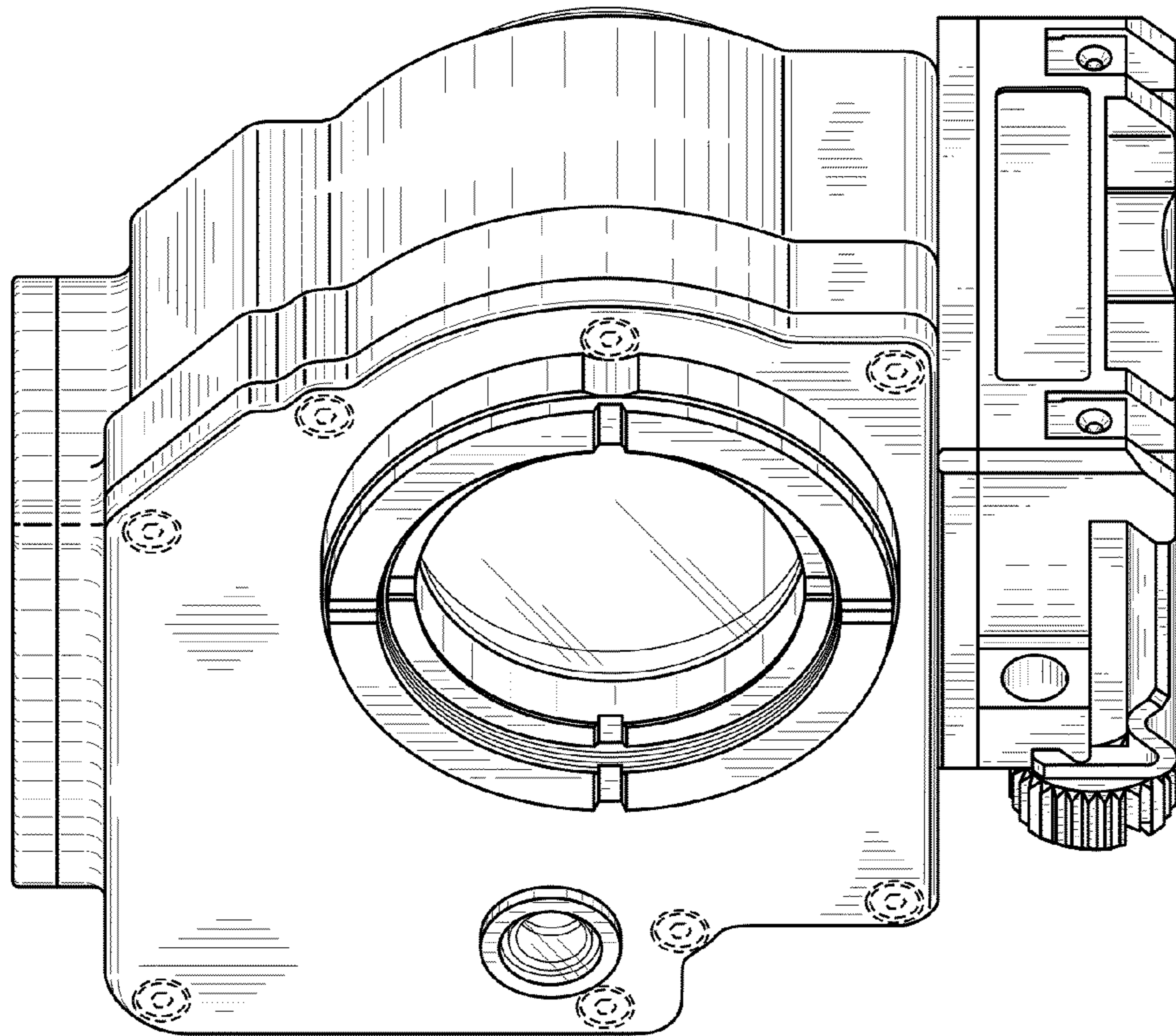


FIG. 10

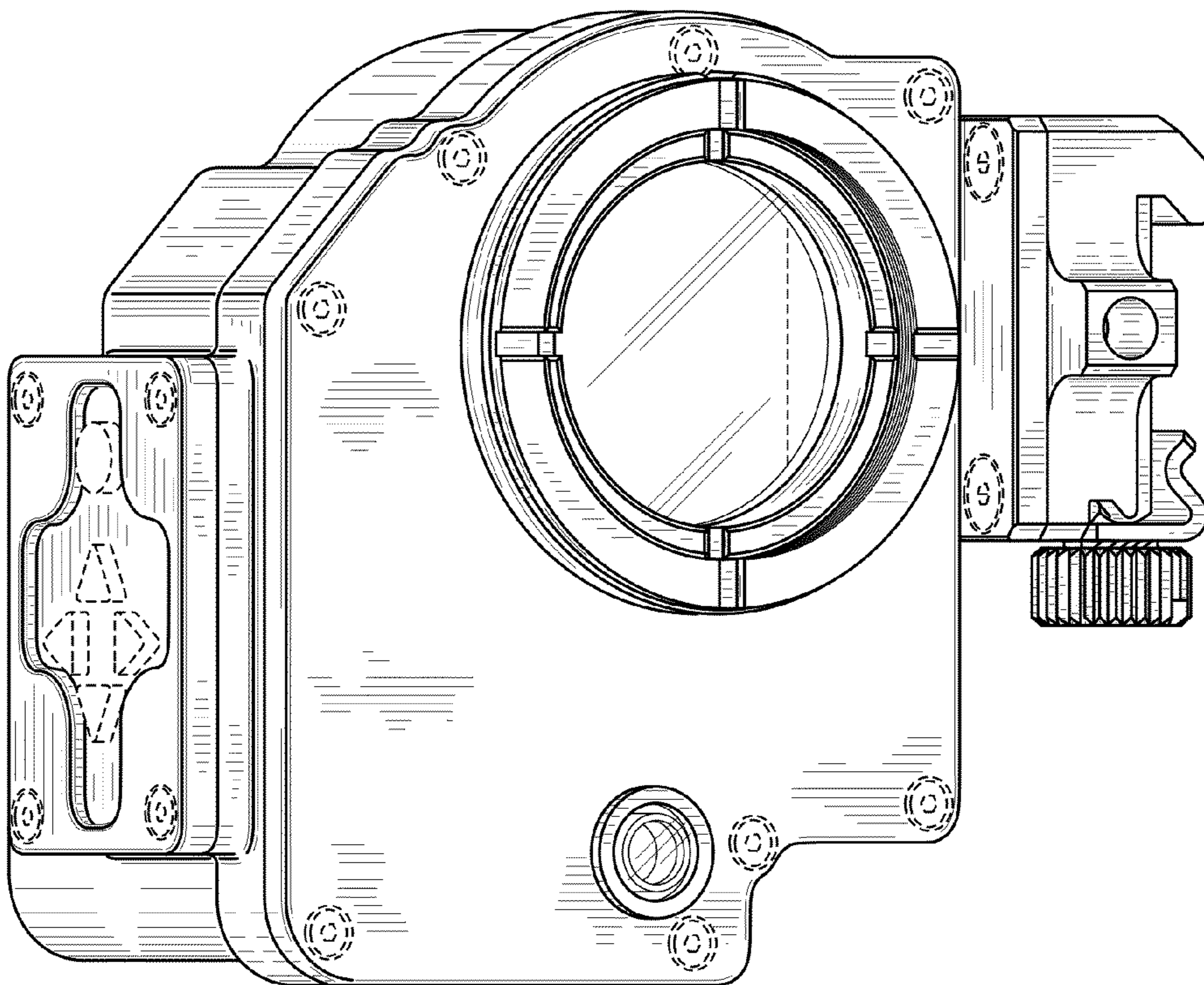


FIG. 9