



US00D754229S

(12) **United States Design Patent**
Aschenbach et al.

(10) **Patent No.:** **US D754,229 S**
(45) **Date of Patent:** **** Apr. 19, 2016**

(54) **MICROSCOPE**

FOREIGN PATENT DOCUMENTS

(71) Applicant: **Carl Zeiss Microscopy GmbH**, Jena (DE)

CN 300889496 * 3/2009
CN 301112515 * 1/2010

(Continued)

(72) Inventors: **Ralph Aschenbach**, Hardegsen (DE); **Hai Li**, Shanghai (CN); **Zhiwei Lin**, Shanghai (CN); **Zhongxiang Liang**, Guangxi Province (CN); **Libing Song**, Jiangsu Province (CN); **Yujuan Shen**, Shanghai (CN); **Guangmei Wu**, Shanghai (CN)

OTHER PUBLICATIONS

<http://www.qualitydigest.com/inside/twitter-ed/product-news-primo-star-iled-routine-fluorescence-microscopy.html#> Posted Jul. 25, 2009.*

(Continued)

(73) Assignee: **Carl Zeiss Microscopy GmbH**, Jena (DE)

Primary Examiner — Susan Bennett Hattan
Assistant Examiner — Leanne Was

(**) Term: **14 Years**

(21) Appl. No.: **29/490,626**

(57) **CLAIM**

We claim the ornamental design for a microscope, as shown.

(22) Filed: **May 12, 2014**

(30) **Foreign Application Priority Data**

DESCRIPTION

Nov. 14, 2013 (CN) 2013 3 0543797

(51) **LOC (10) Cl.** **16-06**

(52) **U.S. Cl.**
USPC **D16/131**

(58) **Field of Classification Search**
USPC D16/130, 131, 134, 225, 232; 340/635, 340/815.4, 815.42, 815.45; 353/39; 356/372.2; 359/368, 369, 372, 375, 359/376, 377, 381, 382, 385, 390, 391
CPC G02B 21/0004; G02B 21/22; G02B 21/24
See application file for complete search history.

FIG. 1 is a front elevational view of a microscope.
FIG. 2 is a back side elevational view of the microscope.
FIG. 3 is a right side elevational view of the microscope of FIG. 1.
FIG. 4 is a side elevational view of the microscope of FIG. 1.
FIG. 5 is a top plan view of the microscope of FIG. 1.
FIG. 6 is a front elevational view of a second embodiment of a microscope.
FIG. 7 is a back side elevational view of the microscope of FIG. 6.
FIG. 8 is a right side elevational view of the microscope of FIG. 6.
FIG. 9 is a side elevational view of the microscope of FIG. 6; and,
FIG. 10 is a top plan view of the microscope of FIG. 6.
The bottom side of the microscope is not portrayed and no claim is made to the features on the bottom side.

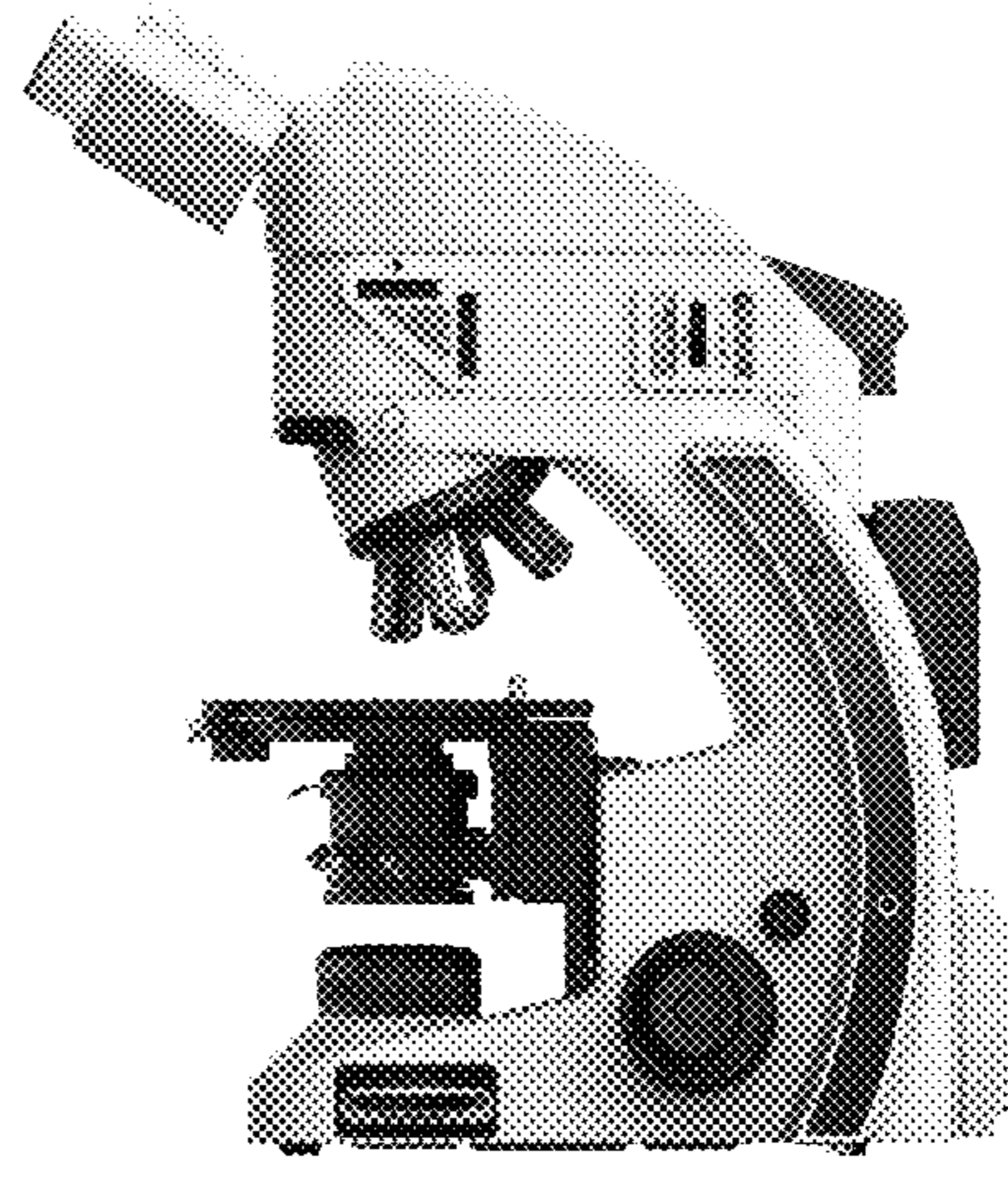
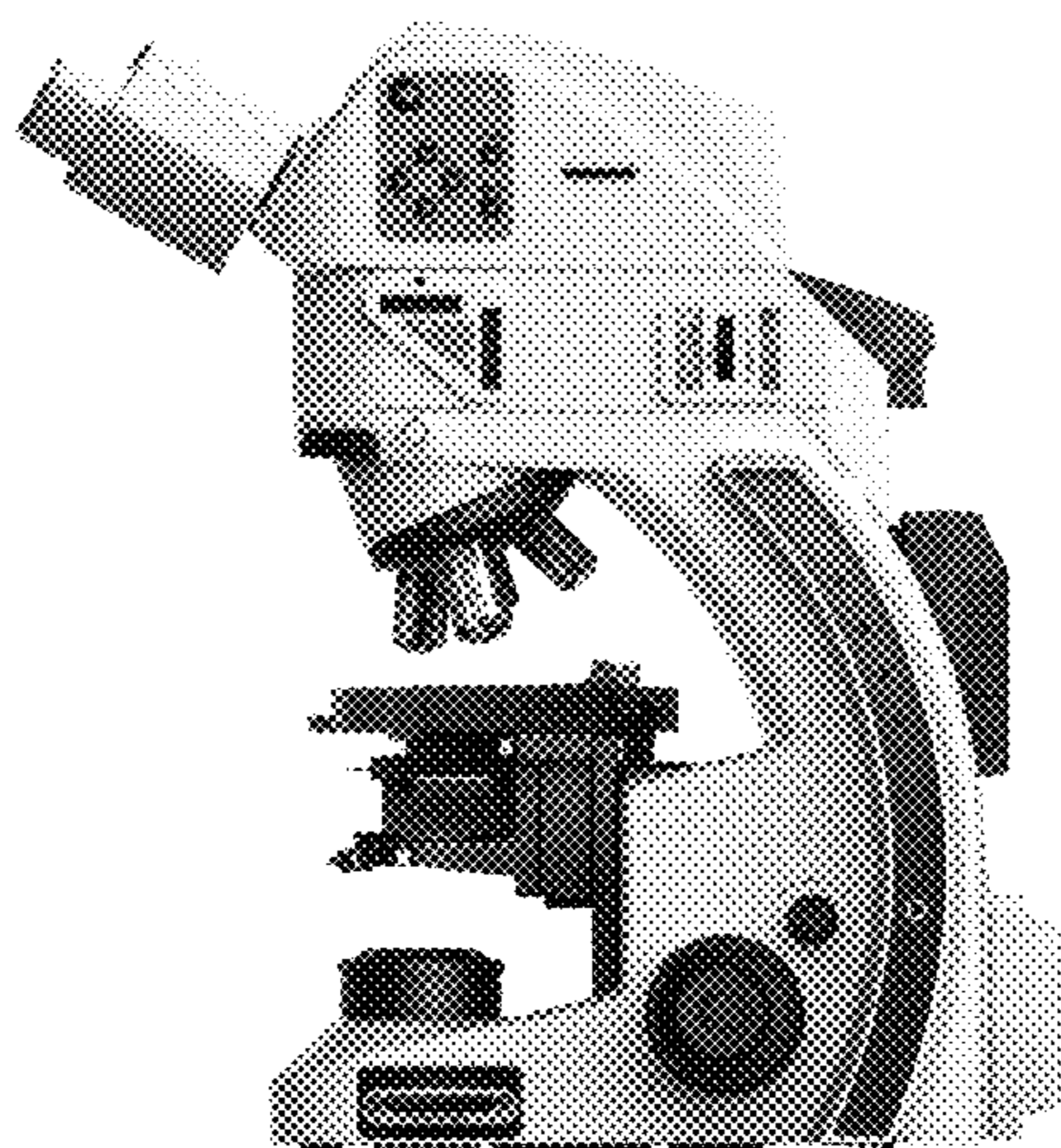
(56) **References Cited**

U.S. PATENT DOCUMENTS

D404,410 S * 1/1999 Hoffman-Igl D16/131
D425,921 S * 5/2000 Holbl D16/131

(Continued)

1 Claim, 10 Drawing Sheets



(56)

References Cited

U.S. PATENT DOCUMENTS

D429,265 S * 8/2000 Holbl D16/131
 D436,972 S * 1/2001 Tai D16/131
 D436,973 S * 1/2001 Kawahata D16/131
 D477,008 S * 7/2003 Asaka D16/131
 D518,840 S * 4/2006 Copeland D16/131
 7,088,505 B2 * 8/2006 Harrison G02B 21/242
 359/368
 7,136,223 B2 * 11/2006 Roeth G02B 21/26
 359/391
 7,233,435 B2 * 6/2007 Gilbert G02B 21/241
 359/379
 7,262,906 B2 * 8/2007 Gilbert G02B 21/24
 359/368
 D602,058 S * 10/2009 Dunn D16/131
 D607,030 S * 12/2009 Hoelbl D16/131
 D607,031 S * 12/2009 Hoelbl D16/131
 D639,324 S 6/2011 Stohr et al.
 D672,800 S * 12/2012 Muraki D16/131
 D681,087 S * 4/2013 Kung D16/131
 D690,342 S * 9/2013 Funakoshi D16/131
 2005/0213200 A1 * 9/2005 Gilbert G02B 21/24
 359/368
 2005/0213205 A1 * 9/2005 Roeth G02B 21/086
 359/385
 2006/0262390 A1 * 11/2006 Vaccarelli A61B 19/52
 359/368

2007/0183028 A1 * 8/2007 Euteneuer G02B 21/24
 359/384
 2008/0151368 A1 * 6/2008 Weiss G02B 21/06
 359/390
 2008/0191895 A1 * 8/2008 Aschenbach G02B 21/24
 340/815.42
 2009/0021826 A1 * 1/2009 Aschenbach G02B 21/24
 359/368
 2011/0075255 A1 * 3/2011 Kennedy G02B 21/0076
 359/385
 2011/0096392 A1 * 4/2011 Xiang G02B 21/086
 359/381
 2013/0070335 A1 * 3/2013 Lettow G02B 3/0056
 359/385

FOREIGN PATENT DOCUMENTS

CN 301118062 * 1/2010
 EM 002215715-0001 * 4/2013

OTHER PUBLICATIONS

<http://www.mikronet.com/microscopes/carlzeiss-primostar-iled.shtml> Available Mar. 22, 2013.*
 euromex | Oxion® brochure, Nov. 20, 2013-Nov. 23, 2013 trade fair in Düsseldorf, Germany (6 pgs.).
 Optika Microscopes printout of presentation, Nov. 8, 2013 (1 pg.).

* cited by examiner

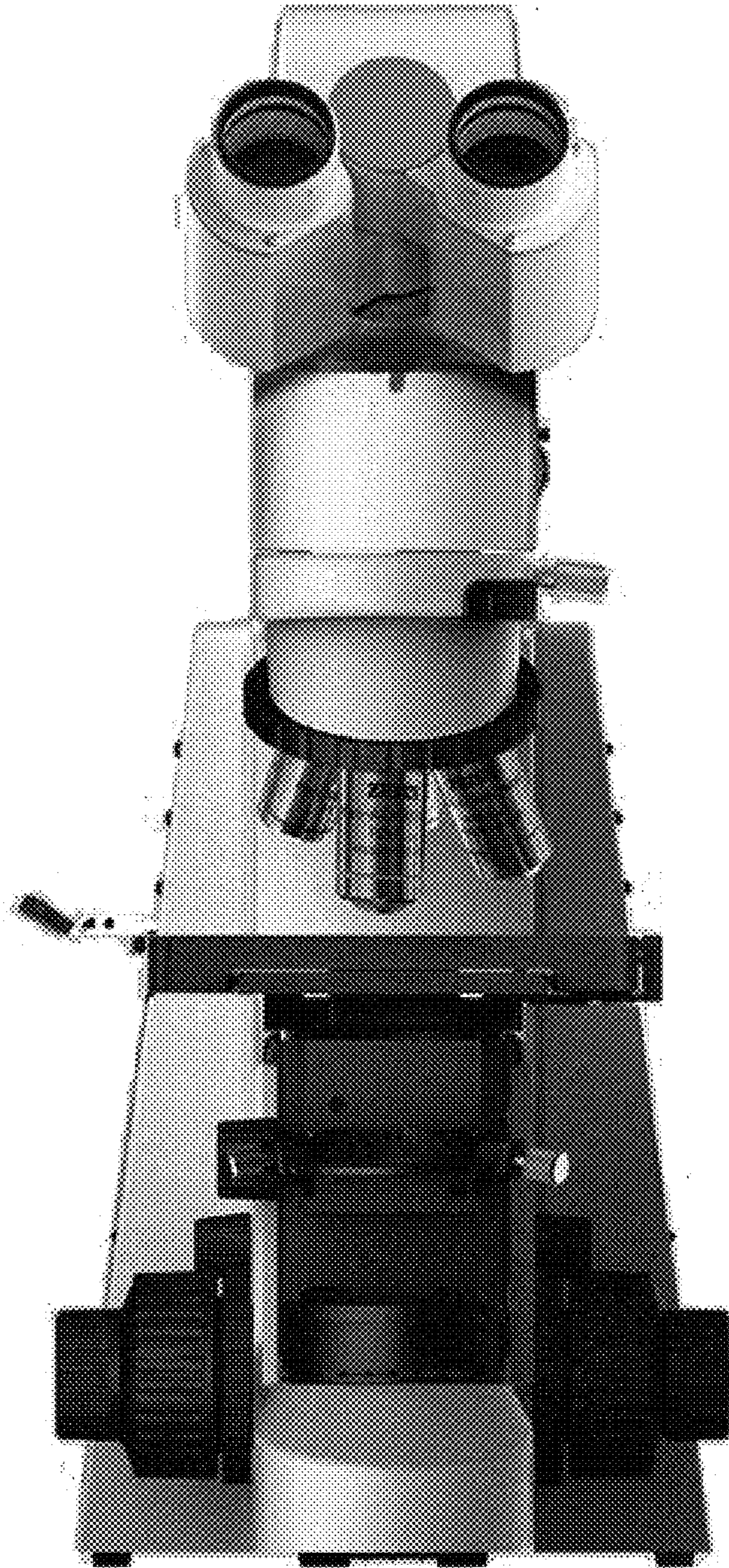


FIG. 1

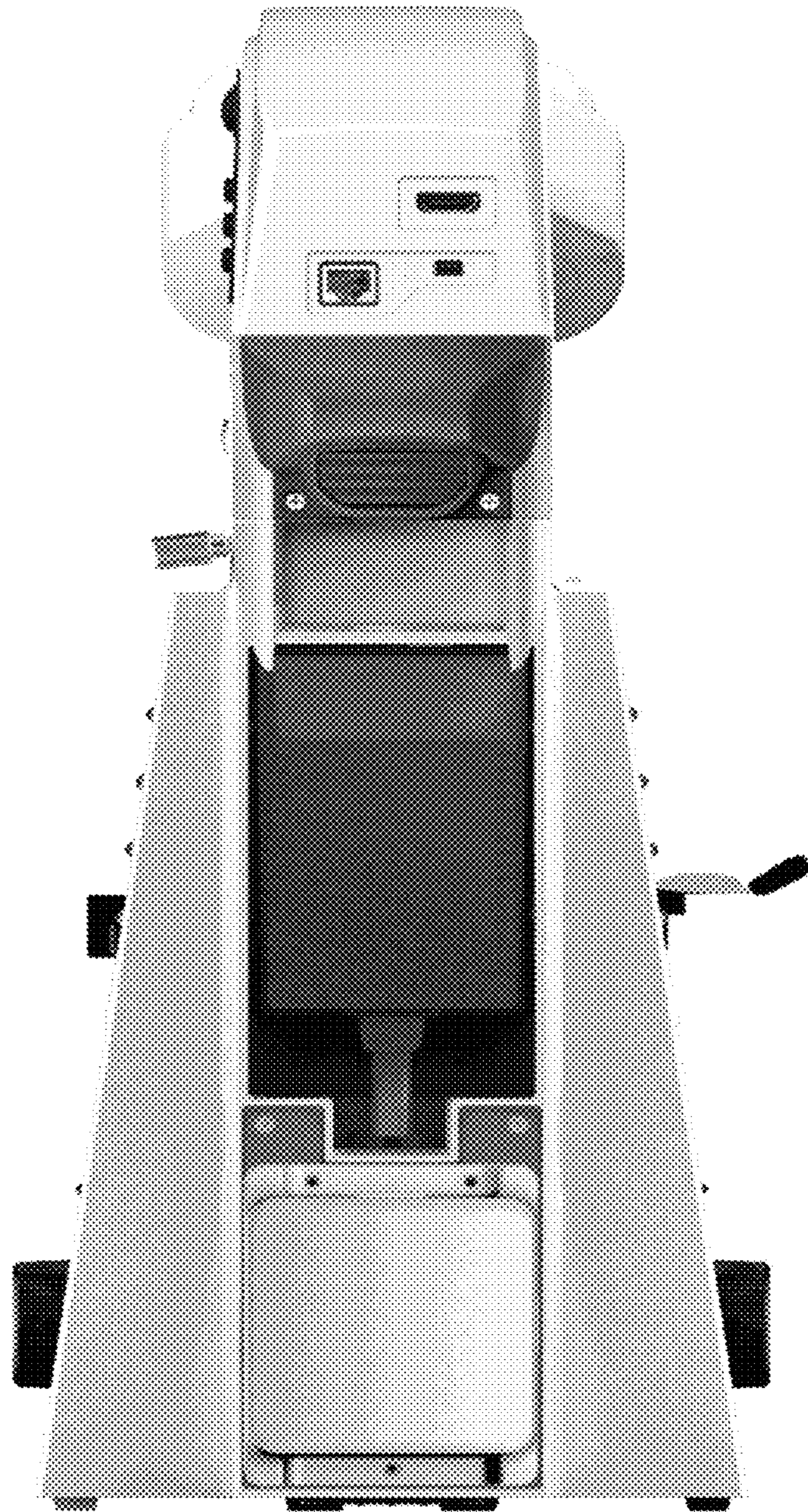


FIG. 2

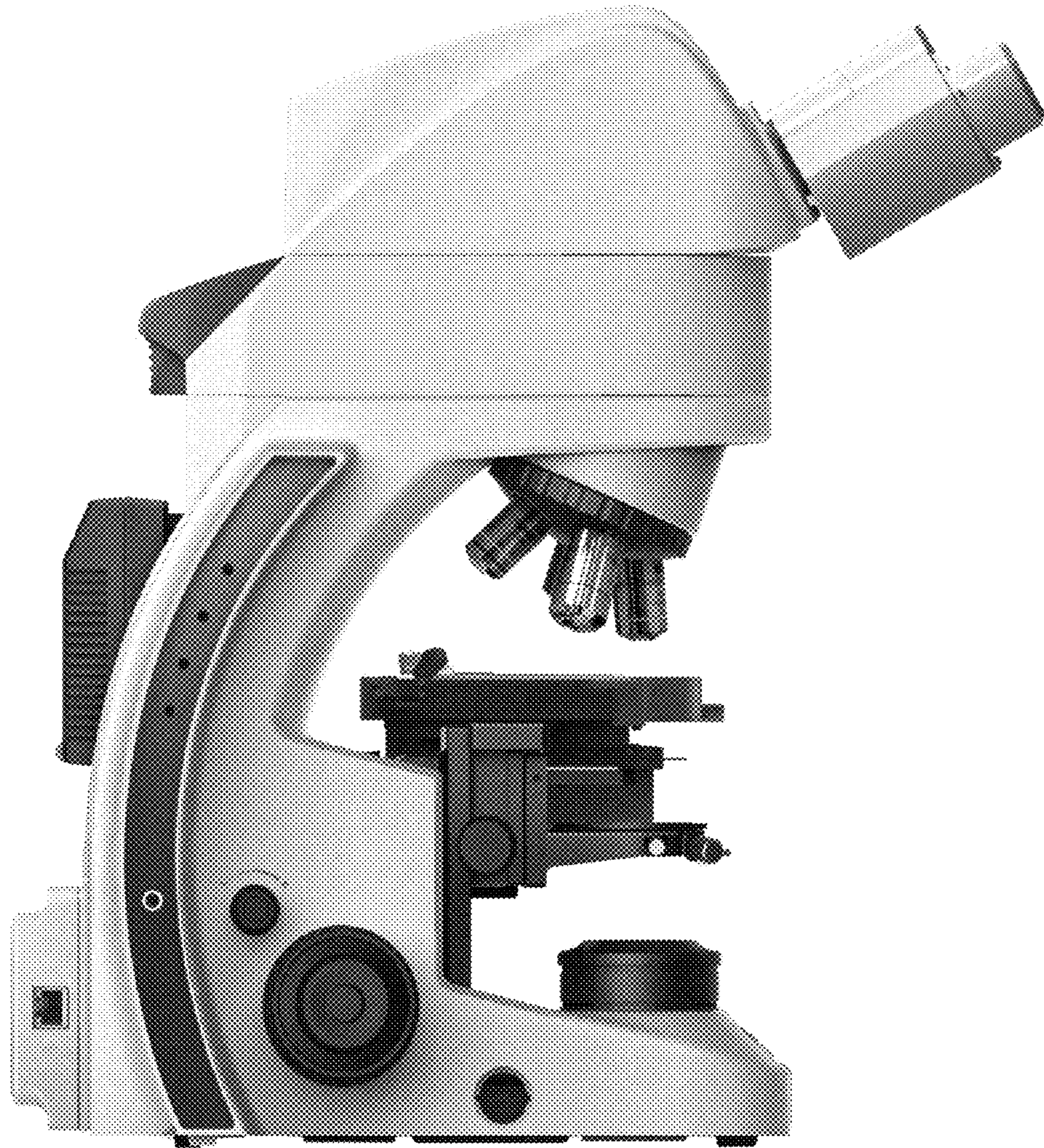


FIG. 3



FIG. 4

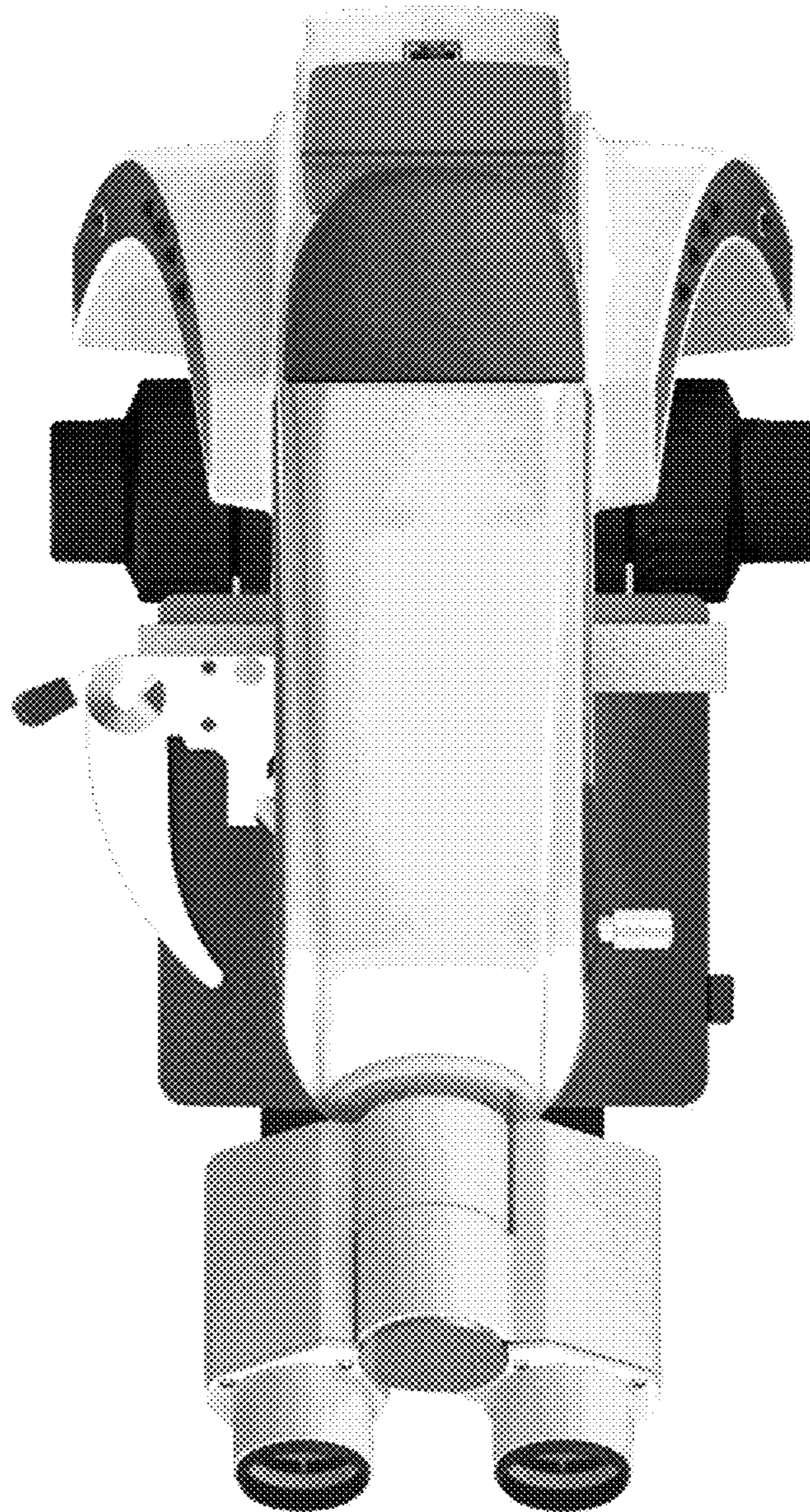


FIG. 5

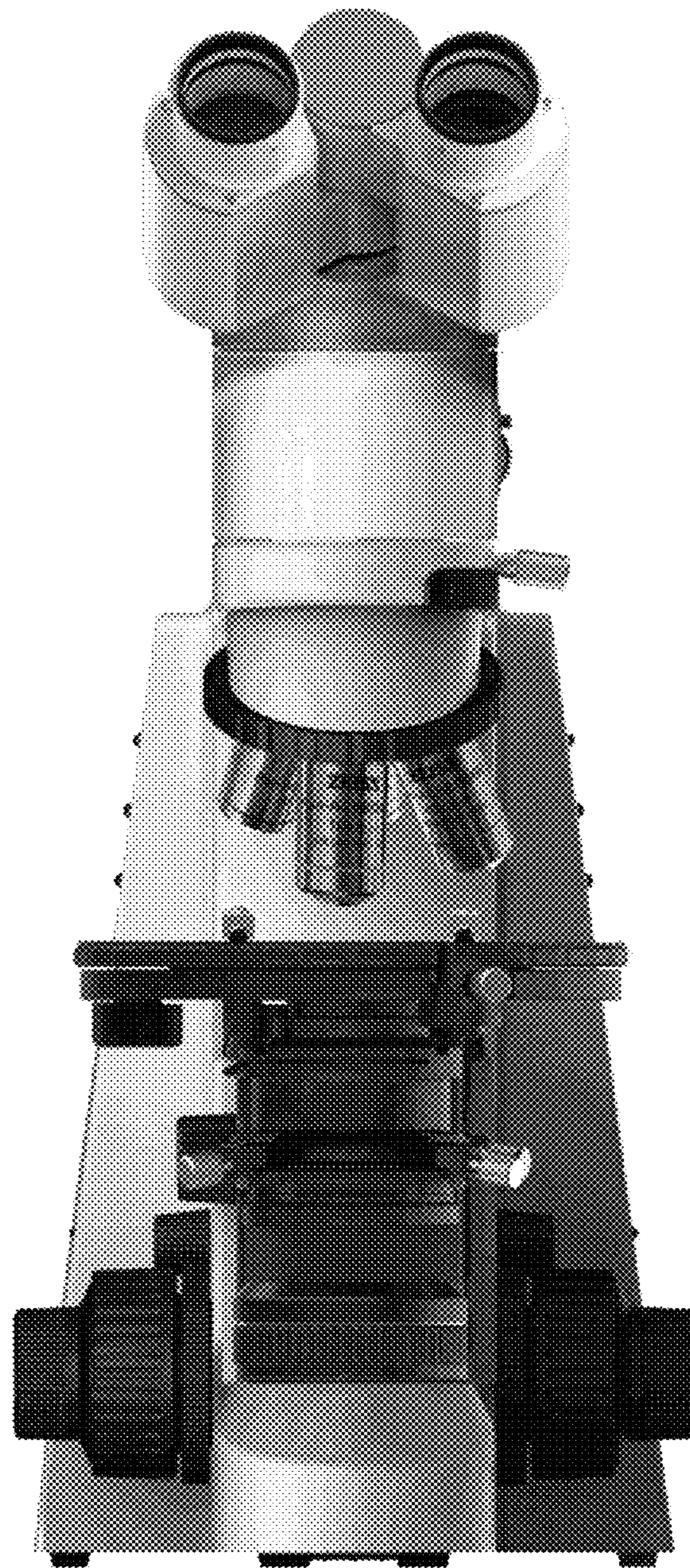


FIG. 6

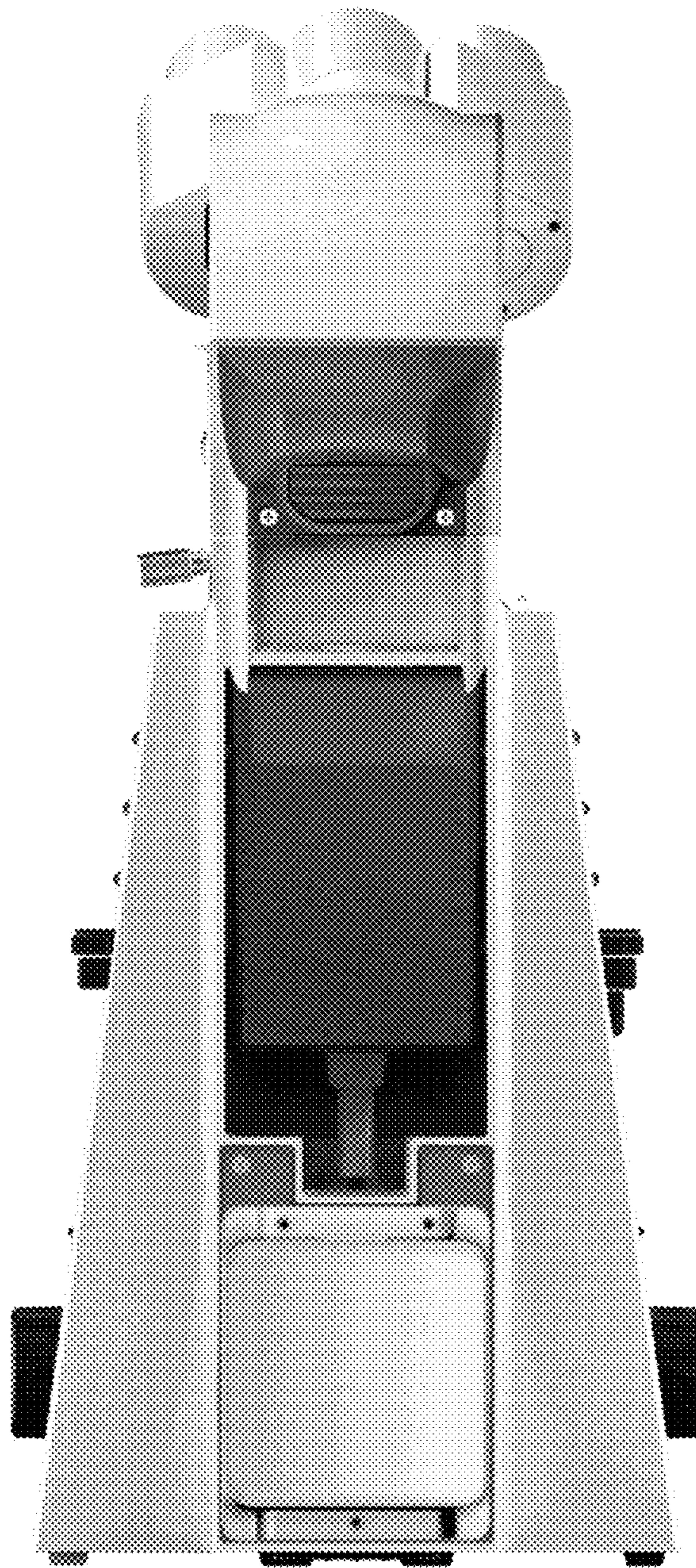


FIG. 7

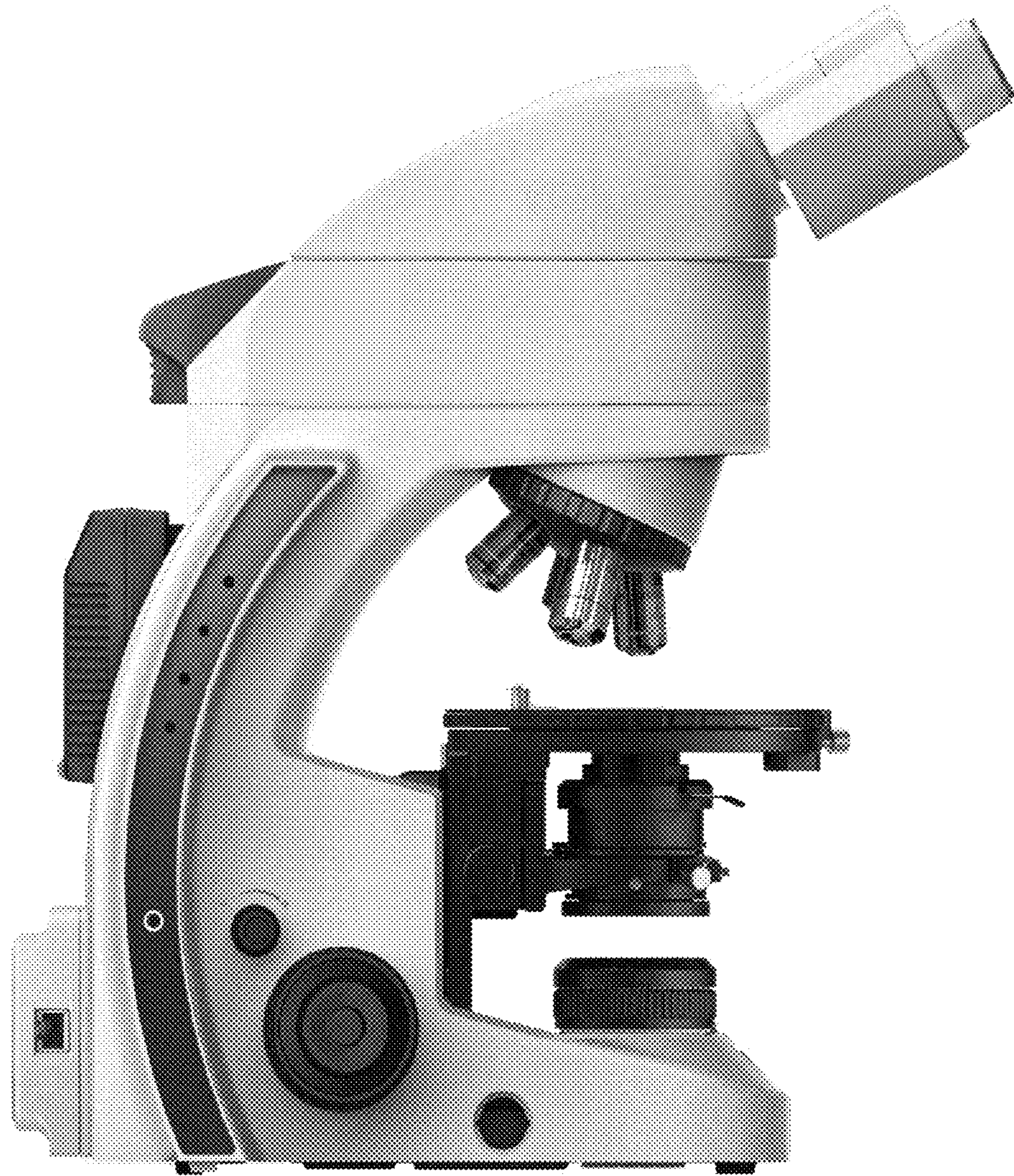


FIG. 8

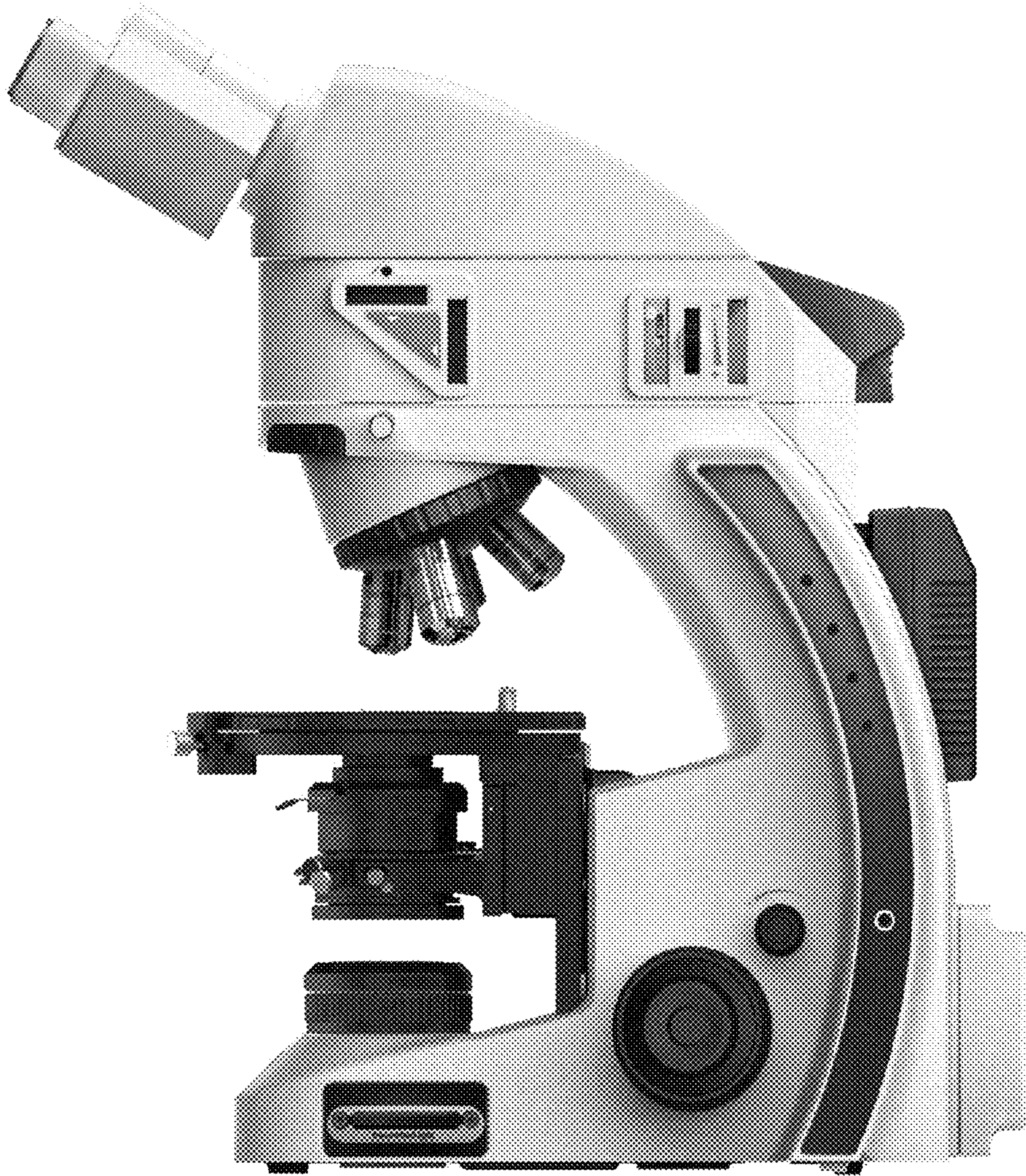


Fig. 9

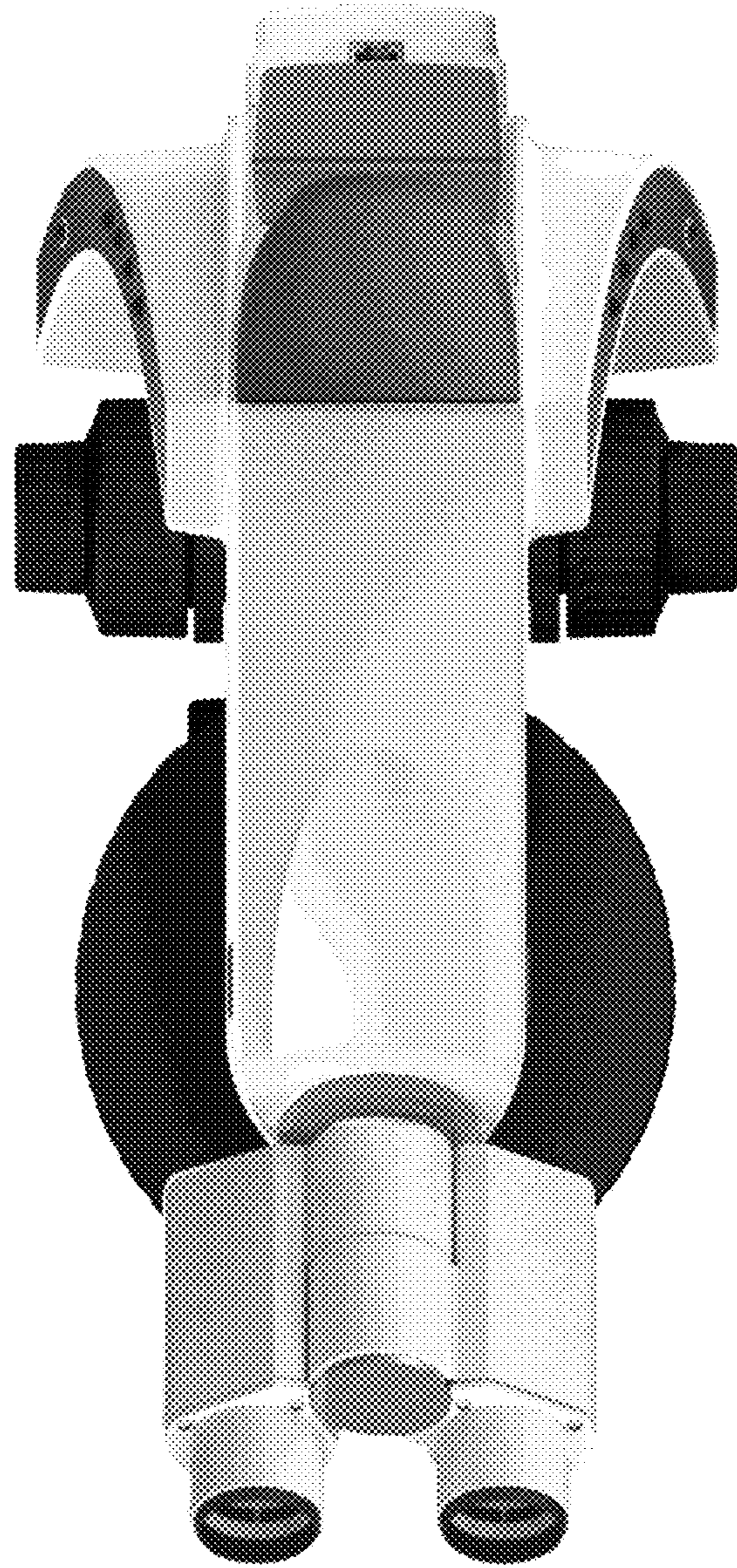


Fig. 10