



US00D754227S

(12) **United States Design Patent**
Parrot

(10) **Patent No.:** **US D754,227 S**

(45) **Date of Patent:** **** Apr. 19, 2016**

(54) **ARTICULATED TOOL-HOLDING ARM**

(71) Applicant: **TECNOSPIRO MACHINE TOOL, S.L.**, Barcelona (ES)

(72) Inventor: **Ramon Jou Parrot**, Barcelona (ES)

(73) Assignee: **TECNOSPIRO MACHINE TOOL, S.L.**, Barcelona (ES)

(**) Term: **14 Years**

(21) Appl. No.: **29/477,055**

(22) Filed: **Dec. 19, 2013**

(30) **Foreign Application Priority Data**

Jun. 19, 2013 (EM) 002258442-0003

(51) **LOC (10) Cl.** **15-99**

(52) **U.S. Cl.**
USPC **D15/199; D15/140**

(58) **Field of Classification Search**
USPC D15/140, 199
See application file for complete search history.

(56) **References Cited**

U.S. PATENT DOCUMENTS

D269,681 S *	7/1983	Morser et al.	D15/199
D287,368 S *	12/1986	Shibayama et al.	D15/199
D293,449 S *	12/1987	Kaufmann et al.	D15/199
D300,935 S *	5/1989	Maddock et al.	D15/199
D334,581 S *	4/1993	Yoshikawa et al.	D15/199
D344,280 S *	2/1994	Koyama et al.	D15/199
D553,655 S *	10/2007	Jennings et al.	D15/199
D622,747 S *	8/2010	Kobayashi et al.	D15/199
D624,104 S *	9/2010	Miyake et al.	D15/199
D625,347 S *	10/2010	Feng	D15/199
D642,352 S *	7/2011	Chen et al.	D34/28
D642,353 S *	7/2011	Li	D34/28

D642,765 S *	8/2011	Long	D34/28
D677,294 S *	3/2013	Long	D15/199
D690,753 S *	10/2013	Liu et al.	D15/199
D691,498 S *	10/2013	Bailey et al.	D10/63
D697,104 S *	1/2014	Dye et al.	D15/199
D712,448 S *	9/2014	Kasahara	D15/199
D713,436 S *	9/2014	Liu	D15/199

* cited by examiner

Primary Examiner — Patricia Palasik

(74) *Attorney, Agent, or Firm* — Strum & Fix LLP

(57) **CLAIM**

The ornamental design for an articulated tool-holding arm, as shown and described.

DESCRIPTION

FIG. 1 is a right side, perspective view with arm partially folded to one position of the articulated tool-holding arm showing my new design;

FIG. 2 is a right side view with arm partially folded to another position of the articulated tool-holding arm;

FIG. 3 is a right side view partially folded to still another position of the articulated tool-holding arm;

FIG. 4 is a perspective view with arms folded of the articulated tool-holding arm;

FIG. 5 is a top perspective view with arm extended of the articulated tool-holding arm;

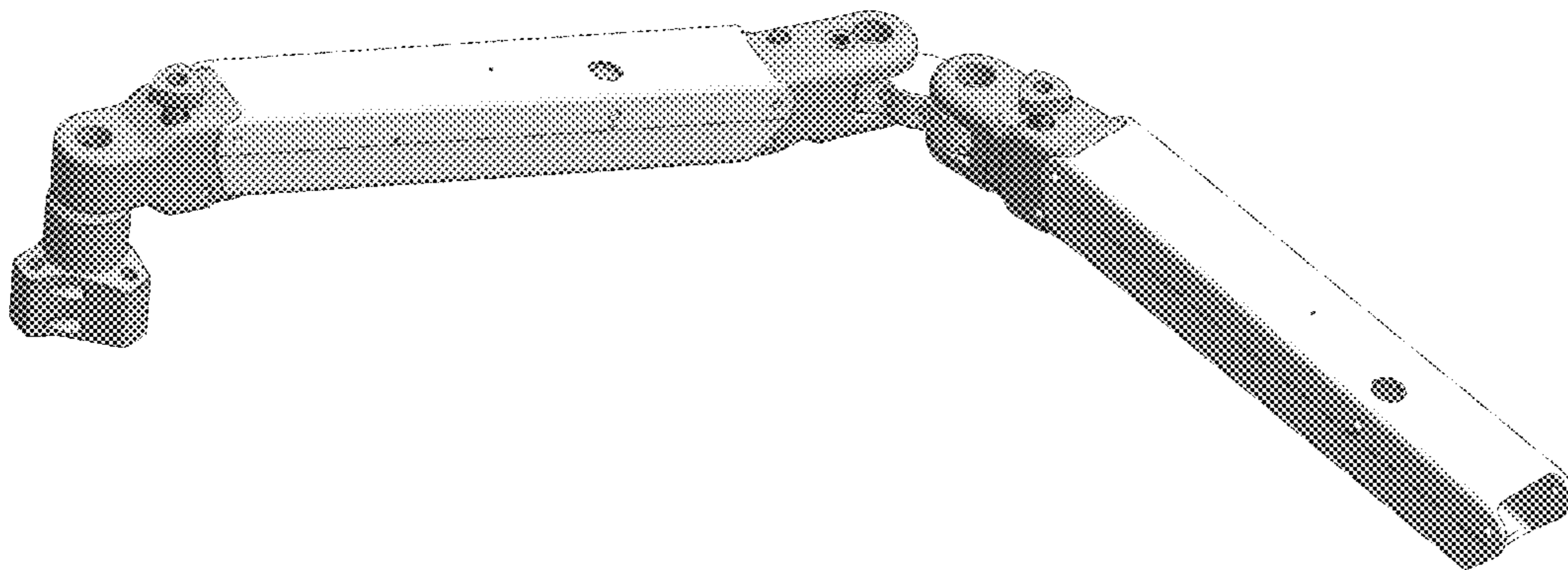
FIG. 6 is a side view with arm extended of the articulated tool-holding arm;

FIG. 7 is a top view of what is shown in FIG. 6 of the articulated tool-holding arm;

FIG. 8 is a right side view with arm folded of the articulated tool-holding arm;

FIG. 9 is front view of the articulated tool-holding arm; and, FIG. 10 is a front view when arms are folded as in FIG. 4 of the articulated tool-holding arm.

1 Claim, 10 Drawing Sheets



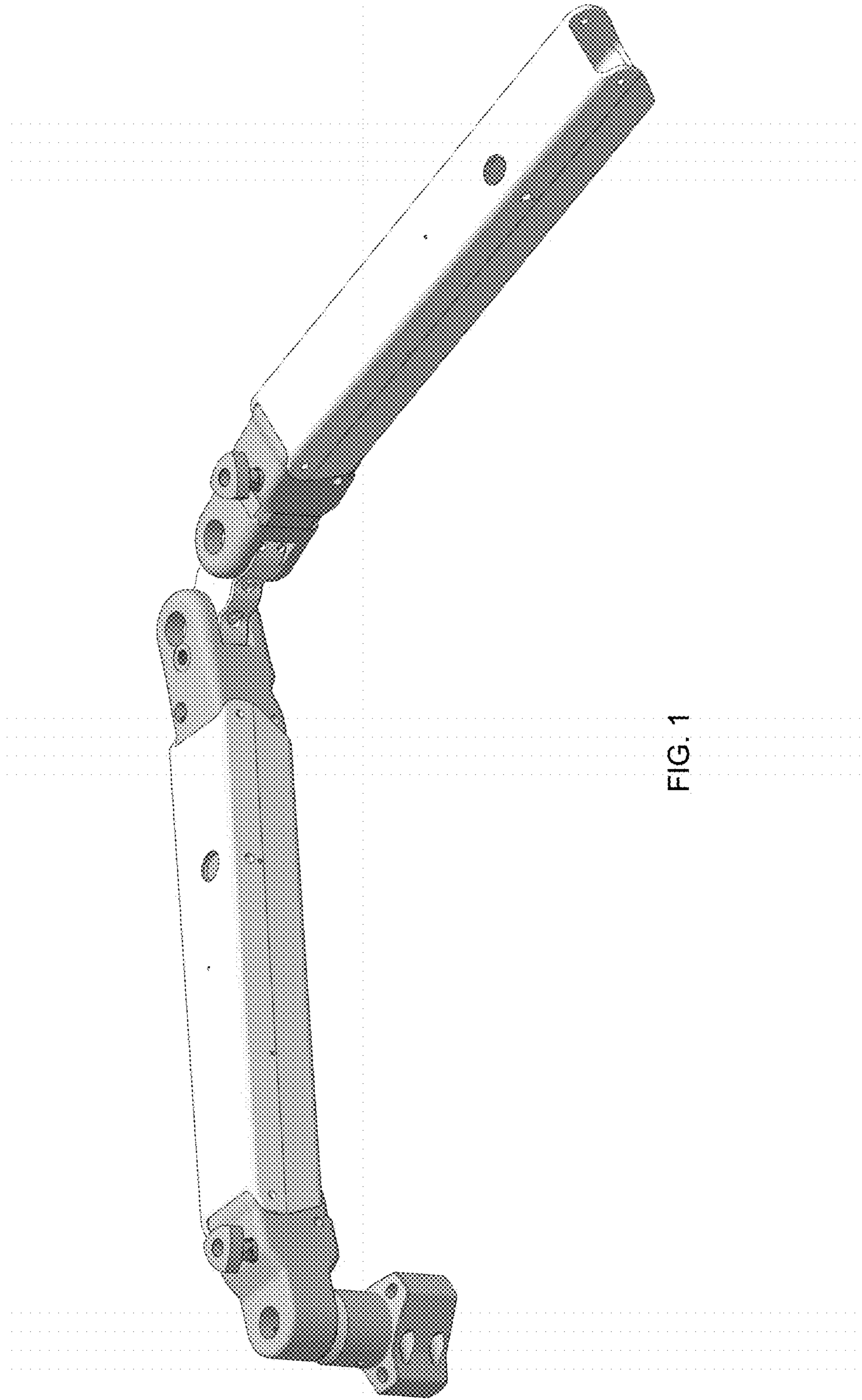


FIG. 1

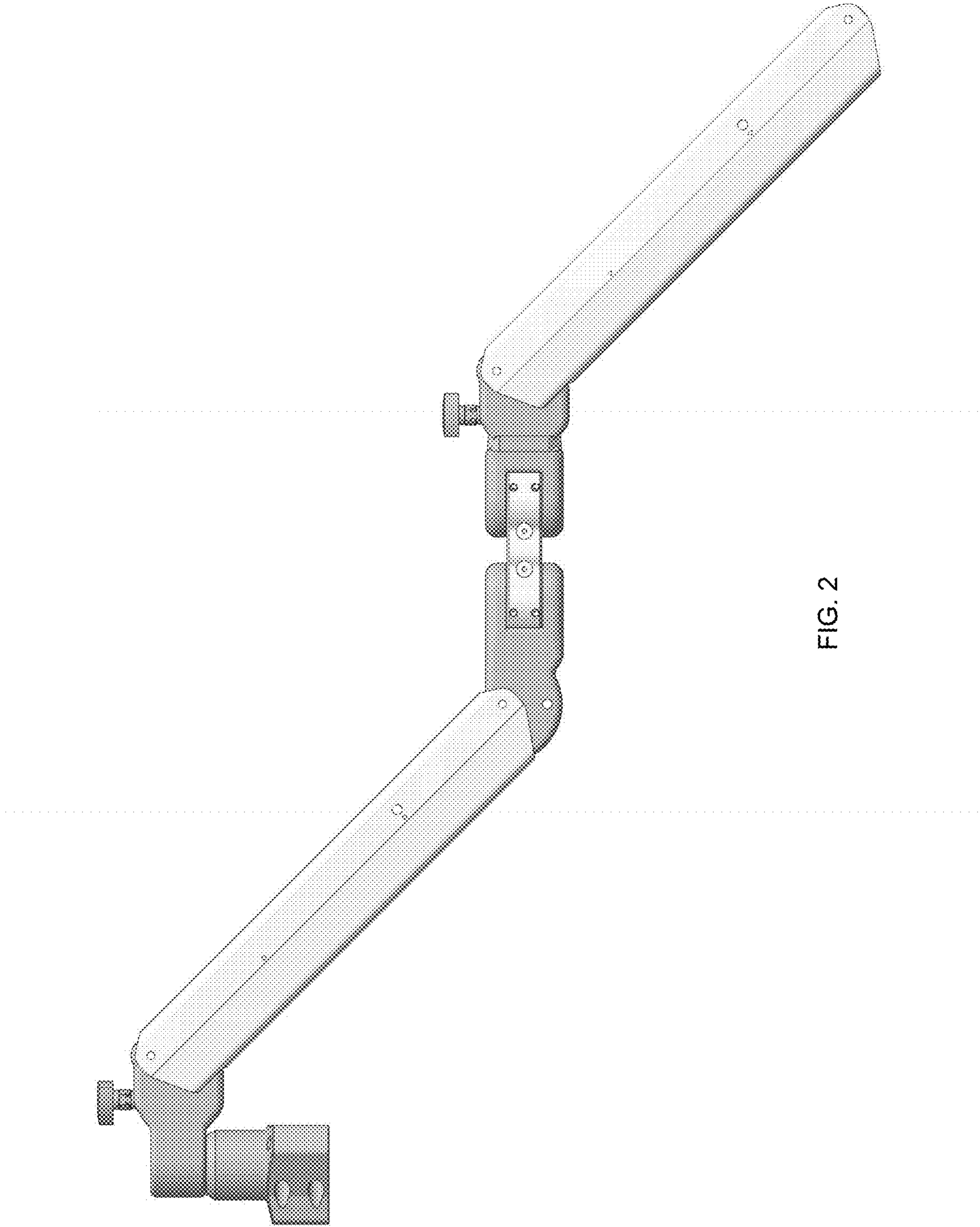


FIG. 2

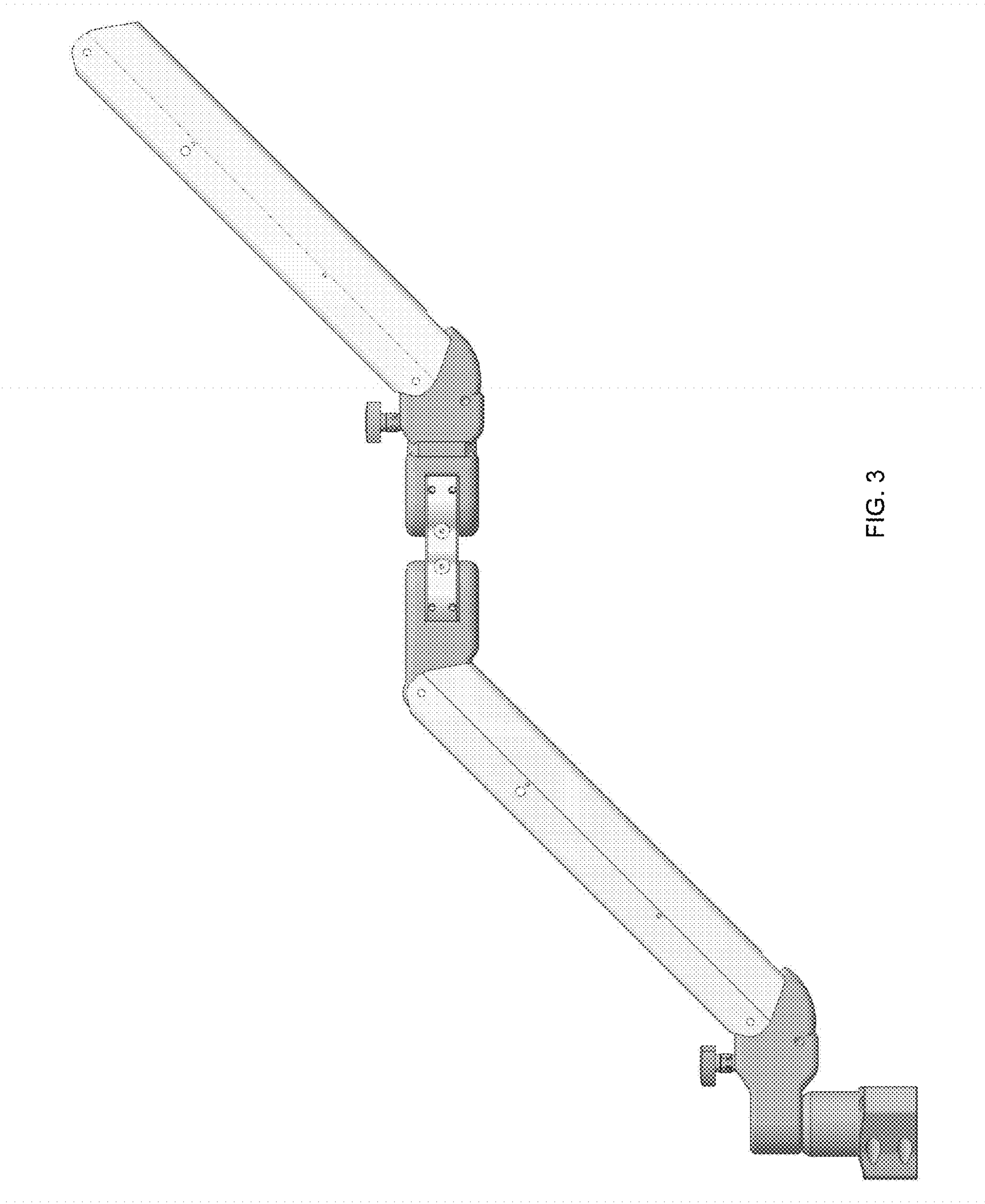


FIG. 3

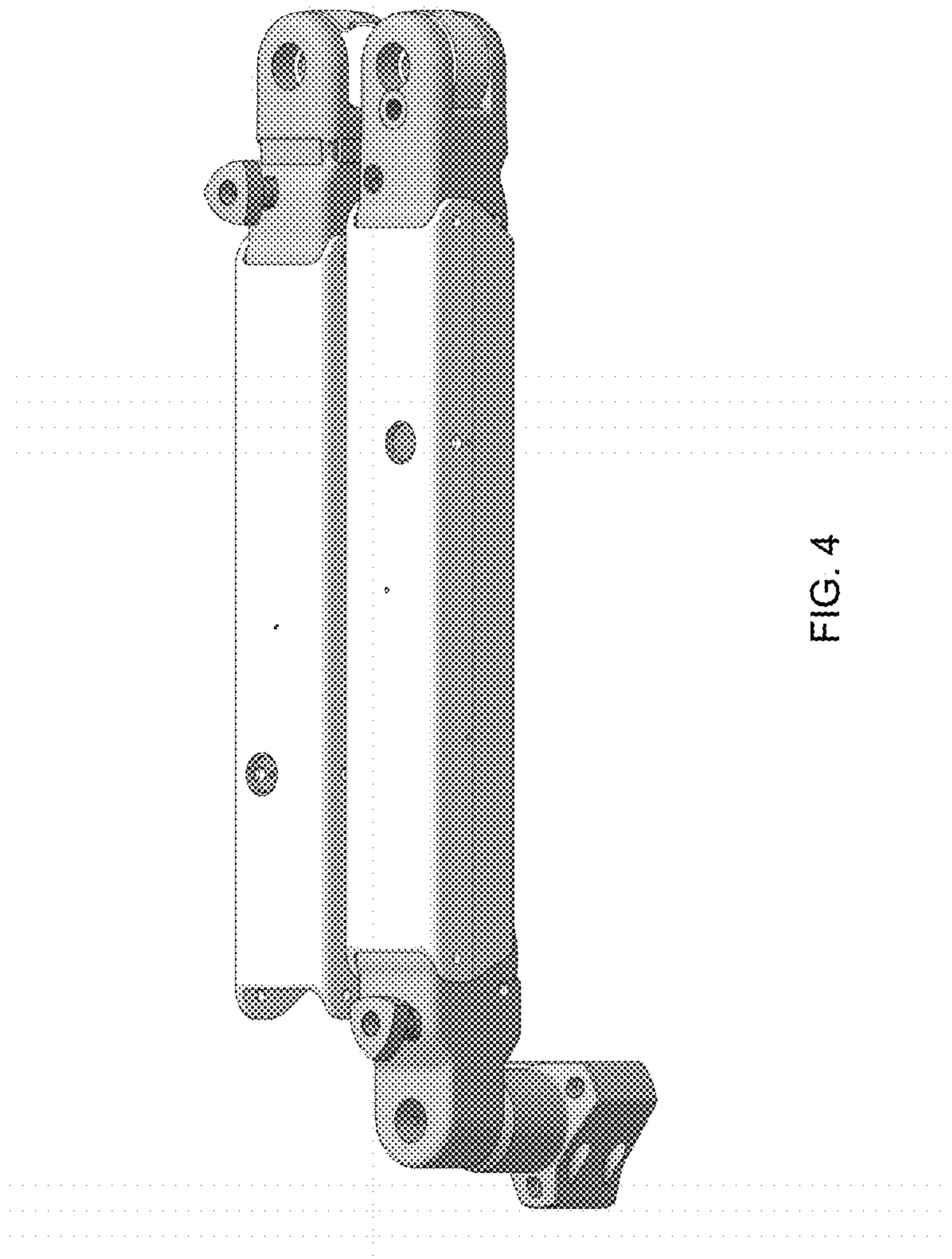


FIG. 4

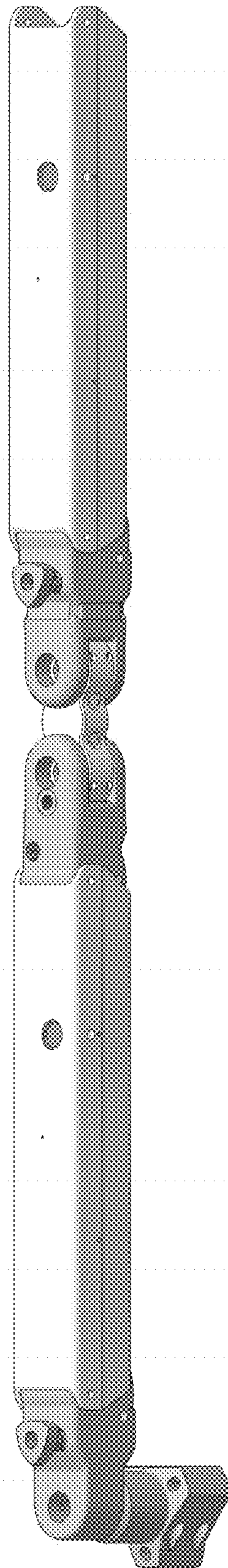


FIG. 5

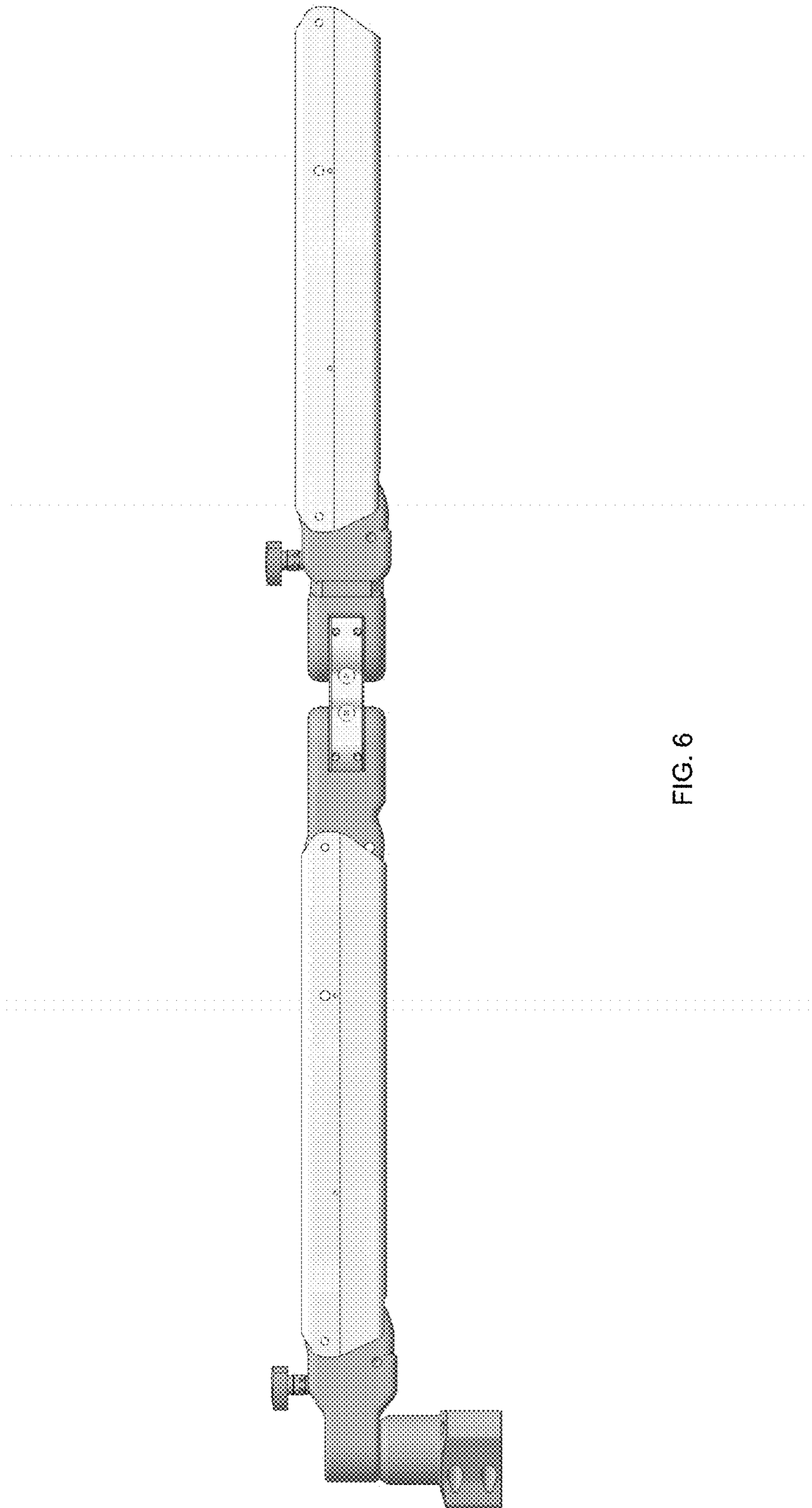


FIG. 6

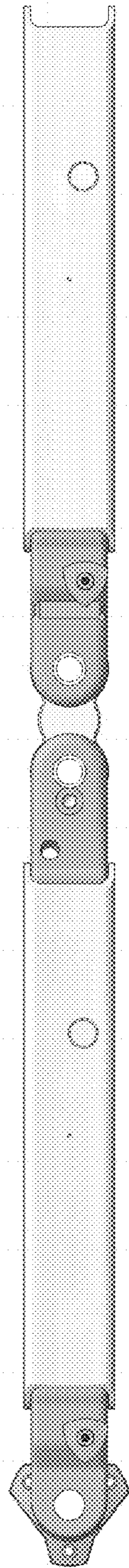


FIG. 7

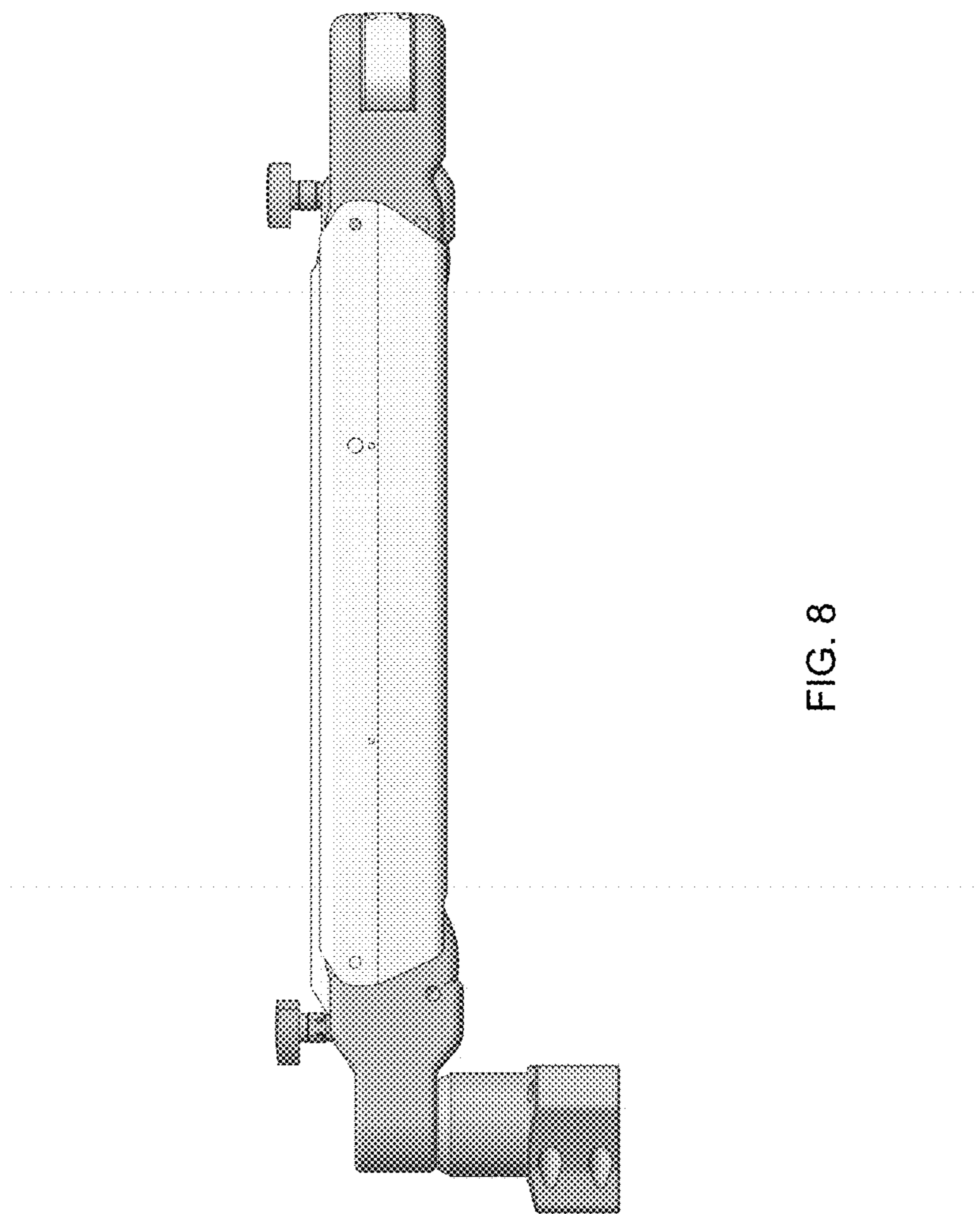


FIG. 8

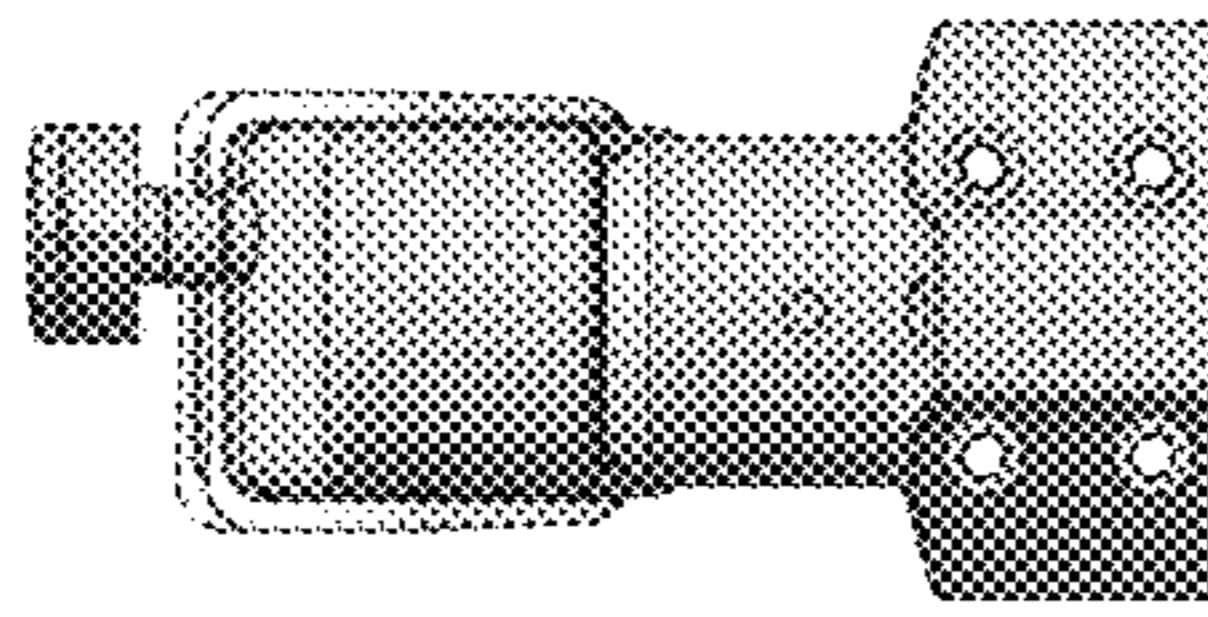


FIG. 9

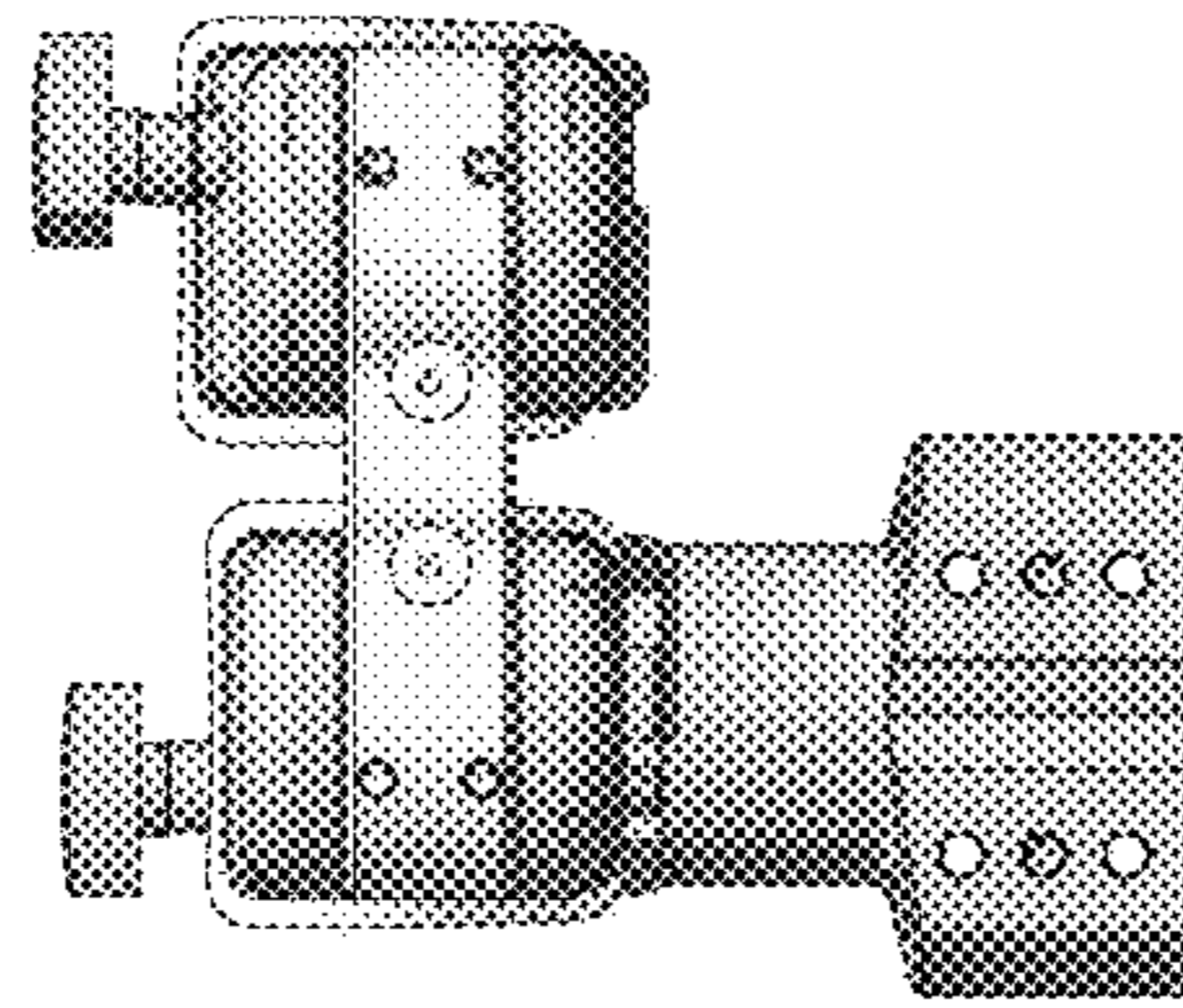


FIG. 10