



US00D754224S

(12) **United States Design Patent**
Schönherr et al.

(10) **Patent No.:** **US D754,224 S**
(45) **Date of Patent:** **** Apr. 19, 2016**

- (54) **MACHINE COVER**
- (71) Applicant: **TRUMPF GmbH + Co. KG**, Ditzingen (DE)
- (72) Inventors: **Tom Schönherr**, Stuttgart (DE);
Andreas Diefenbach,
Ludwigsburg-Oßweil (DE); **Dina Gallo**,
Stuttgart (DE)
- (73) Assignee: **TRUMPF GmbH + Co. KG**, Ditzingen (DE)
- (**) Term: **14 Years**
- (21) Appl. No.: **29/510,319**
- (22) Filed: **Nov. 26, 2014**

- (30) **Foreign Application Priority Data**
- May 28, 2014 (EM) 002472696-0005
- May 28, 2014 (EM) 002472696-0006
- (51) **LOC (10) Cl.** **15-09**
- (52) **U.S. Cl.**
USPC **D15/122; D15/138**
- (58) **Field of Classification Search**
USPC D15/122, 124, 127, 128, 130, 131
See application file for complete search history.

- (56) **References Cited**
- U.S. PATENT DOCUMENTS
- D265,912 S * 8/1982 Frenkel D15/138
- D319,834 S * 9/1991 Rutschle D15/131
- D347,645 S * 6/1994 Miller D15/147
- 5,392,501 A * 2/1995 Sonnek B23B 3/164
29/27 C
- D409,857 S * 5/1999 Ward D21/370
- 6,082,939 A * 7/2000 Nakashima B23Q 1/58
409/134

- D437,975 S * 2/2001 Holscher D28/54.1
- D464,363 S * 10/2002 Saito D15/122
- D472,250 S * 3/2003 Mariotta D15/127
- D489,077 S * 4/2004 Bloch D15/122
- D517,345 S * 3/2006 Verbeek D6/668
- D635,596 S * 4/2011 Hiroshima D15/122
- D657,587 S * 4/2012 Coluuci D6/671.1
- D671,969 S * 12/2012 Yang D15/122
- D688,080 S * 8/2013 Kalik D7/307
- D693,380 S * 11/2013 Mueller D15/122
- D703,978 S * 5/2014 Suthmann D6/669
- D712,676 S * 9/2014 Flora D6/384
- D727,379 S * 4/2015 Mueller D15/122
- D731,037 S * 6/2015 Ouyang D23/286
- 2008/0025015 A1 * 1/2008 Seitz B23Q 11/0891
362/89
- 2008/0168860 A1 * 7/2008 Nishi B23Q 11/0891
74/616
- 2013/0268108 A1 * 10/2013 Ogawa G05B 19/4063
700/174

* cited by examiner

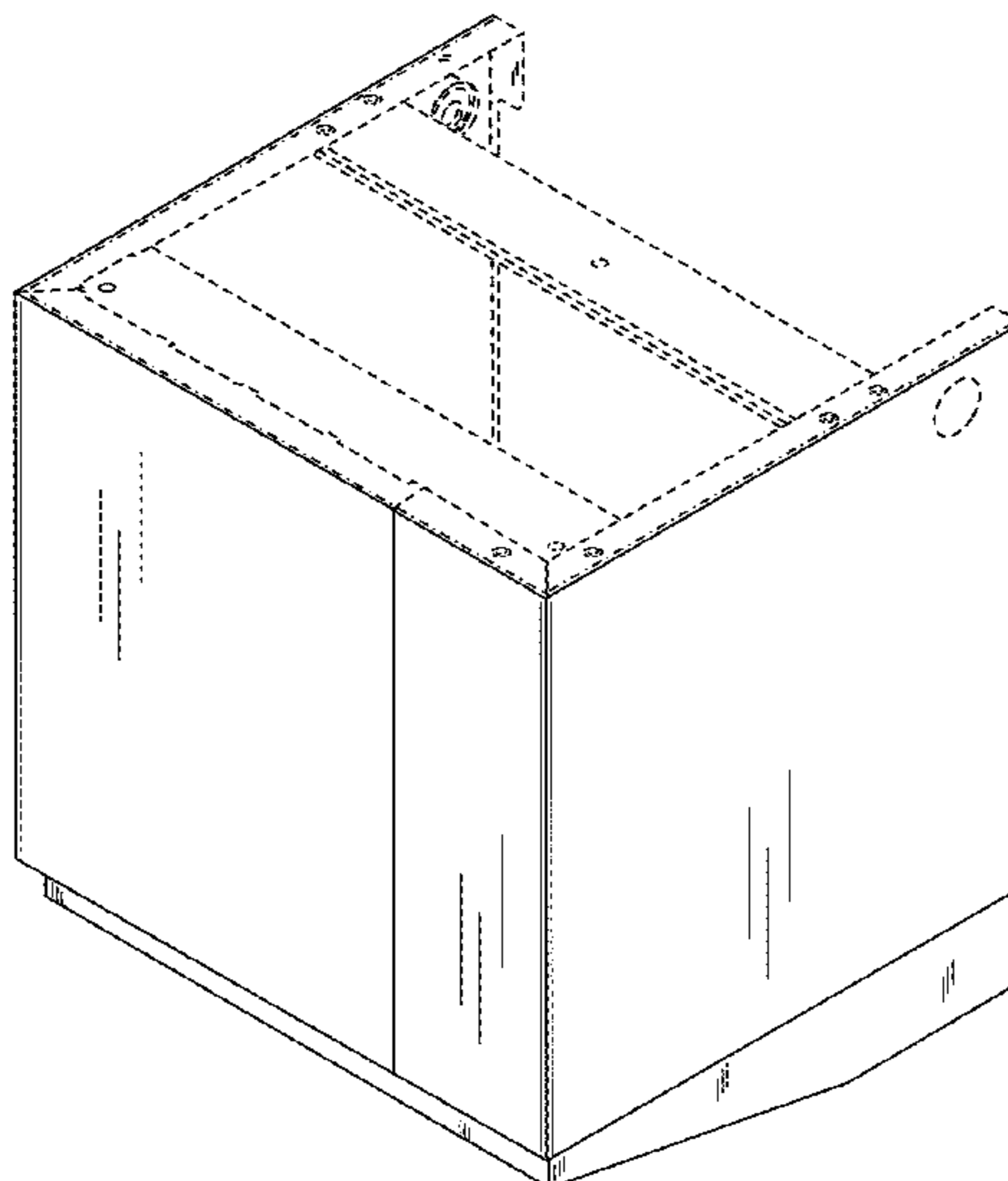
Primary Examiner — Patricia Palasik
(74) *Attorney, Agent, or Firm* — Fish & Richardson P.C.

(57) **CLAIM**
The ornamental design for a machine cover, substantially as shown and described.

DESCRIPTION

FIG. 1 is a perspective view of our design.
FIG. 2 is a front view of our design.
FIG. 3 is a rear view of our design.
FIG. 4 is a left side view of our design.
FIG. 5 is a right side view of our design.
FIG. 6 is a top view of our design; and,
FIG. 7 is a bottom view of our design.
The broken (dash) lines illustrate graphical environmental features that form no part of the claimed design. The broken (dot-dash) lines illustrate boundaries of the claimed design.

1 Claim, 4 Drawing Sheets



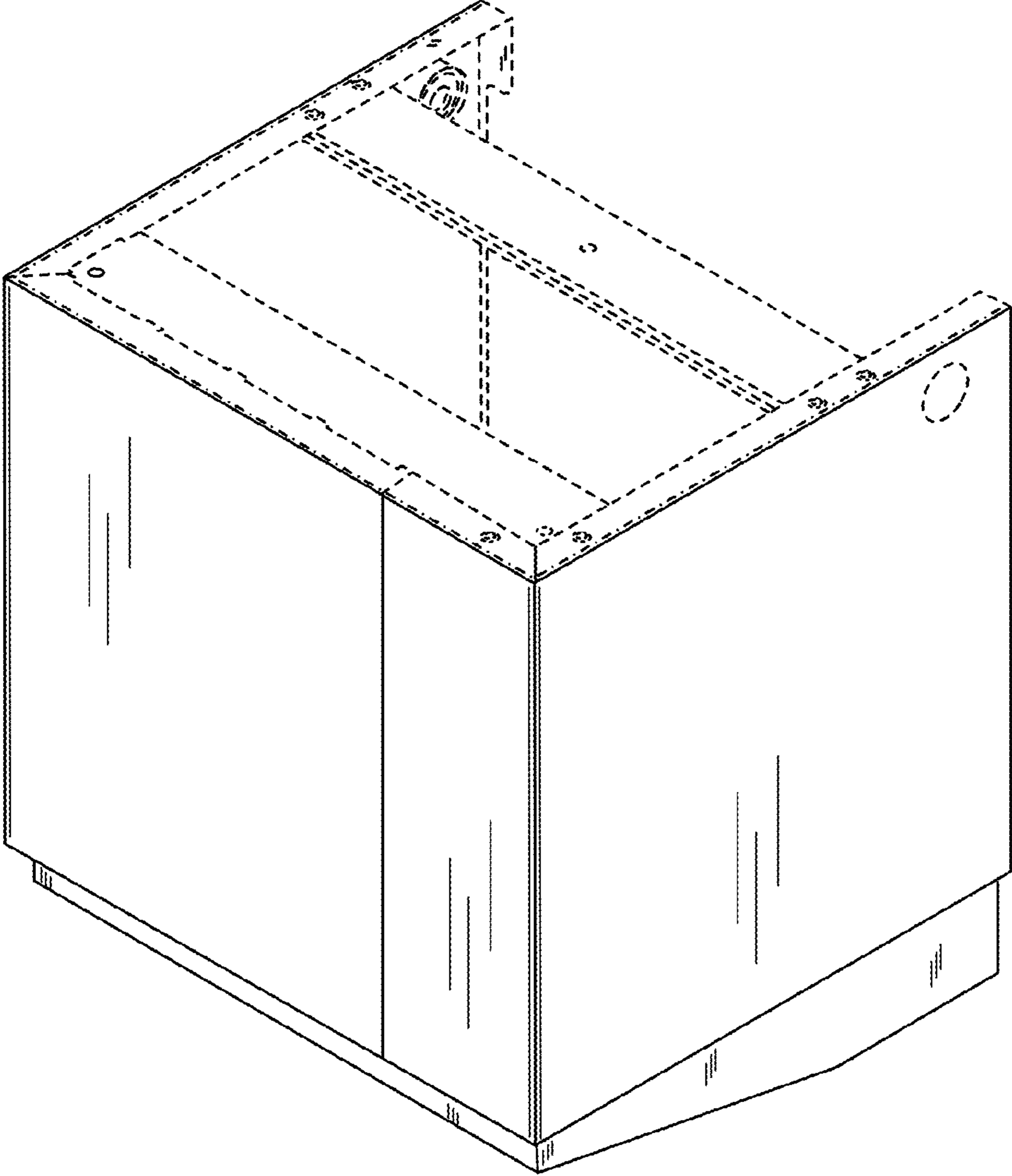


FIG. 1

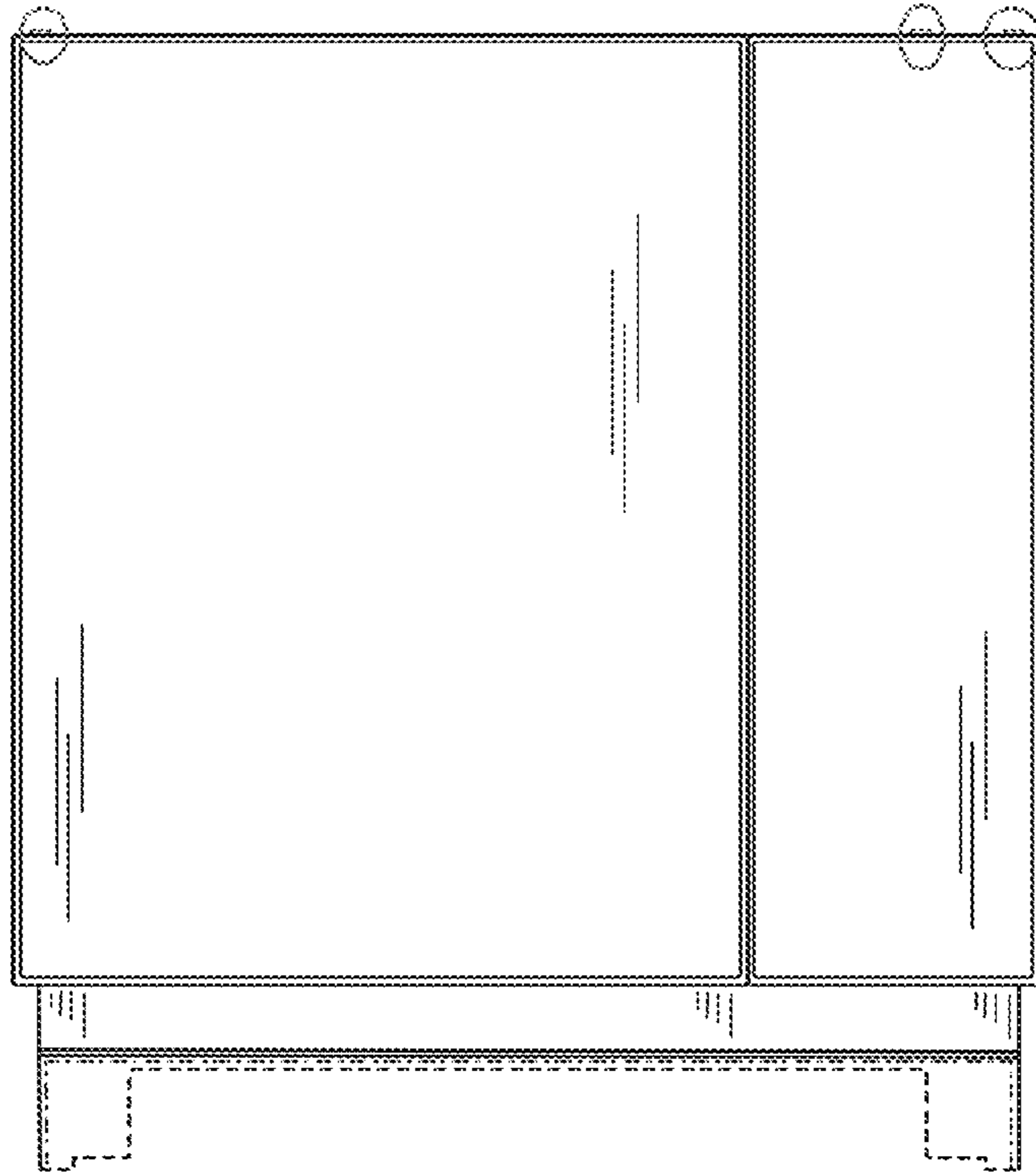


FIG. 2

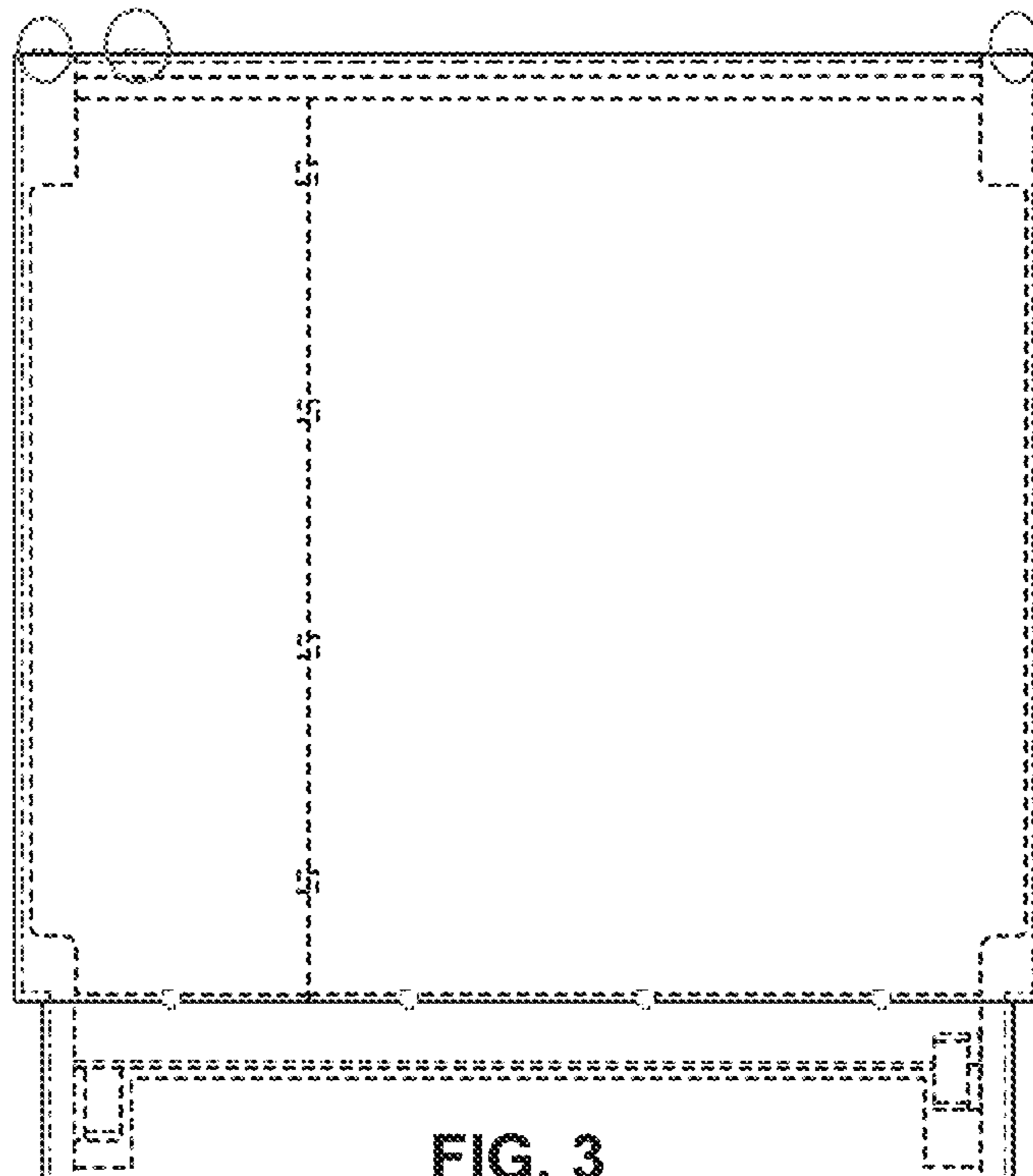


FIG. 3

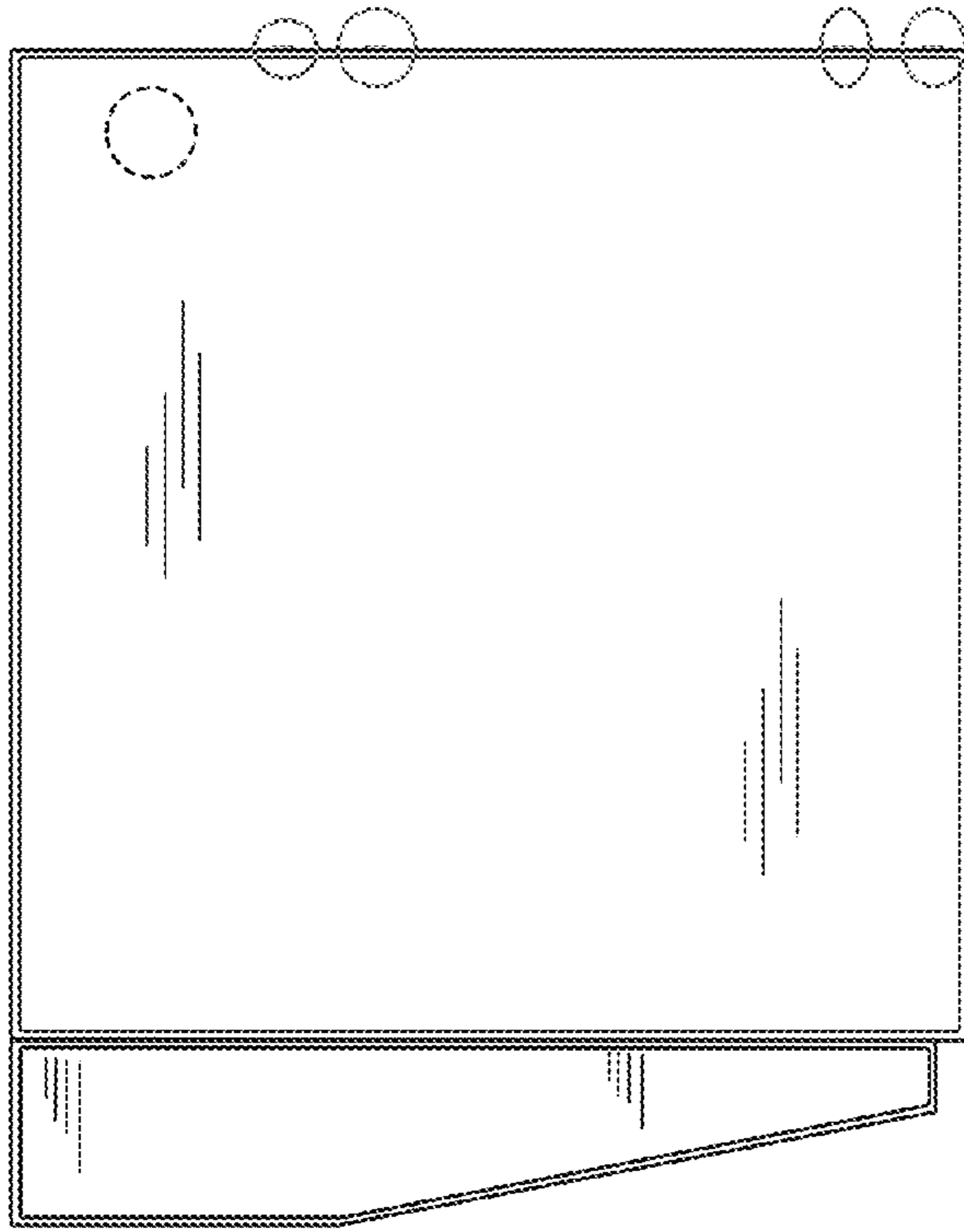


FIG. 4

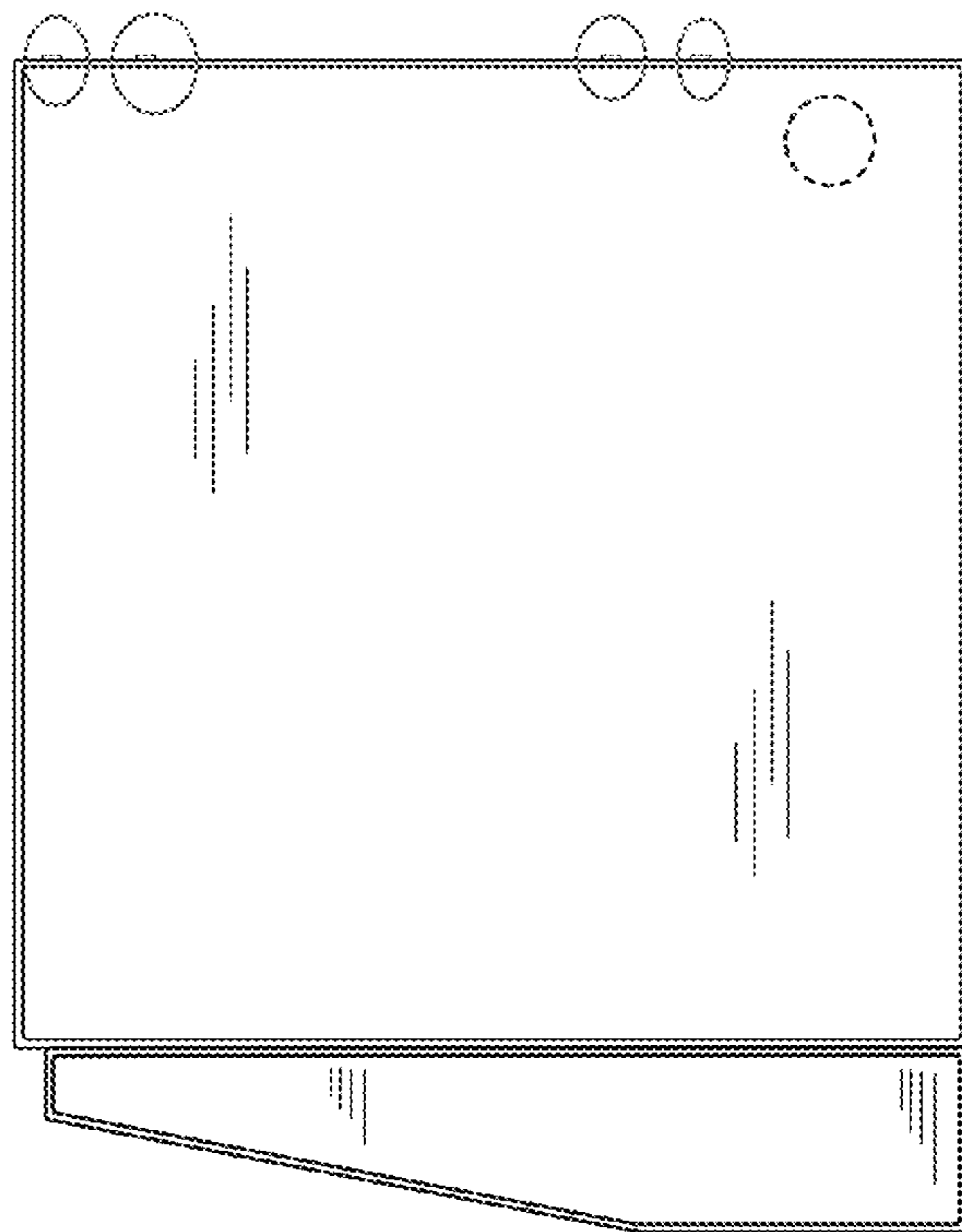


FIG. 5

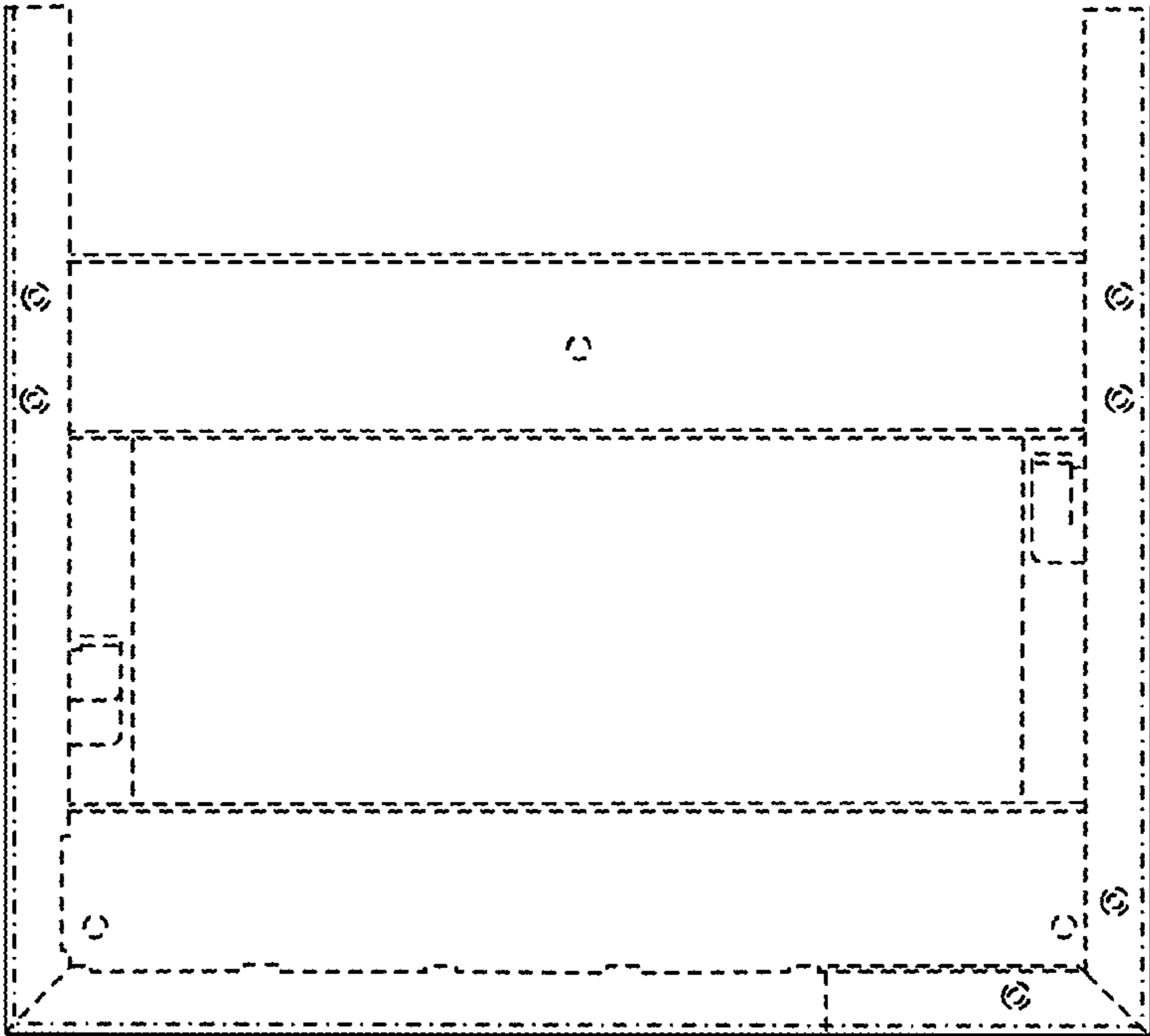


FIG. 6

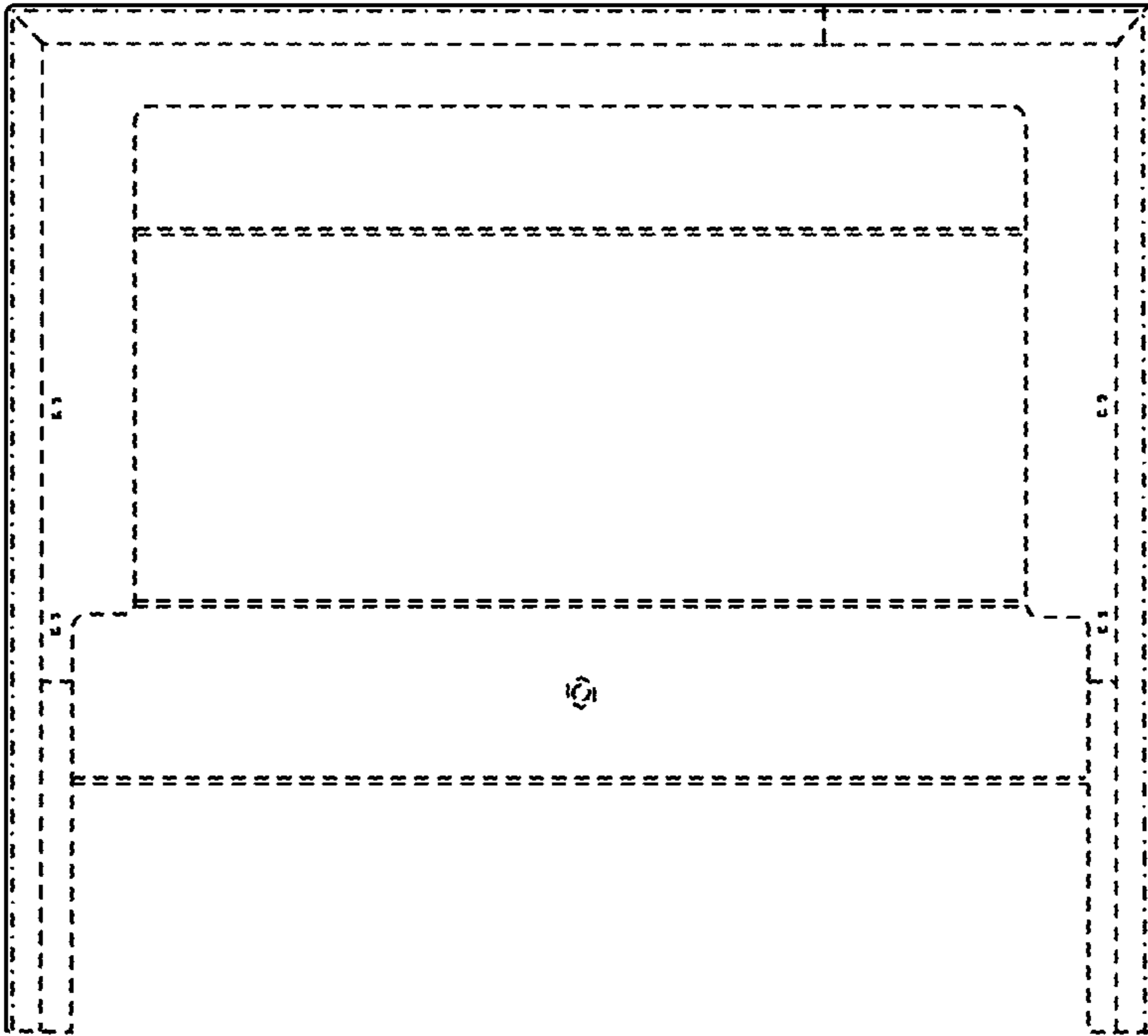


FIG. 7