



US00D754223S

(12) **United States Design Patent**  
**Pederson et al.**

(10) **Patent No.:** **US D754,223 S**  
(45) **Date of Patent:** **\*\* Apr. 19, 2016**

(54) **WHISKEY BULLET**

(71) Applicant: **SipDark LLC**, Chaska, MN (US)

(72) Inventors: **Mark D. Pederson**, Minneapolis, MN (US); **Darrell A. Kramin**, Chaska, MN (US)

(73) Assignee: **SIPDARK LLC**, Chaska, MN (US)

(\*\*) Term: **14 Years**

(21) Appl. No.: **29/495,074**

(22) Filed: **Jun. 26, 2014**

(51) **LOC (10) Cl.** ..... **15-07**

(52) **U.S. Cl.**  
USPC ..... **D15/90**

(58) **Field of Classification Search**  
USPC ..... D15/79, 80, 82, 89, 90; D3/270, 271.1, D3/271.9; D22/115-116; D28/85, 88; D9/668, 680; D24/173, 174, 200; D14/223, 206

CPC ..... F25B 21/02; F25B 2321/02; F25B 1/005; F25B 2321/0252; F25B 1/00; F25B 1/10; F25B 21/04; F25B 2339/047; F25B 5/02; F25B 7/00; F25B 13/00; F25B 1/053; F25B 2309/06; F25B 2321/021; F25B 2321/023; F25D 23/028; F25D 23/02; F25D 25/025; F25D 23/00; F25D 2323/021; F25D 11/00; F25D 2323/024; F25D 23/04; F25D 29/00; F25D 25/02; F25D 25/024; F25D 27/005; F25D 23/12; F25D 29/005; F25D 17/042; F25D 2325/021; F42B 30/02; F42B 8/02; F42B 8/04; F42B 8/06; F42B 7/02; F42B 7/04; F42B 7/06; F42B 7/08; F42B 7/10; F42B 7/12; F42B 5/02; F42B 5/26; F42B 5/28; F42B 5/30; F42B 5/32; F42B 5/34; F42B 5/36; F42B 5/38

See application file for complete search history.

(56) **References Cited**

U.S. PATENT DOCUMENTS

D368,425 S	4/1996	Newell	
D420,766 S *	2/2000	Coates et al.	D28/76
D441,916 S *	5/2001	Faillant-Dumas	D28/88
D447,208 S	8/2001	Benini	
D615,818 S	5/2010	Jansen	
D639,280 S	6/2011	Hayes	
D641,286 S	7/2011	Gaspard	
D646,179 S	10/2011	Jansen	
D647,160 S	10/2011	Johansson	
D650,695 S *	12/2011	Talbott et al.	D9/680
D652,472 S *	1/2012	Klement	D22/115
D652,477 S *	1/2012	Klement	D22/115
D660,514 S	5/2012	Palo et al.	
D664,042 S	7/2012	Kurpis	
8,402,896 B1	3/2013	Hollerman et al.	
D682,413 S	5/2013	Gross et al.	
D703,016 S	4/2014	Crane	
D707,785 S	6/2014	Seecamp	
8,925,463 B1	1/2015	Sullivan et al.	
D728,858 S	5/2015	Nish	

(Continued)

*Primary Examiner* — Daniel Bui

*Assistant Examiner* — Khawaja Anwar

(74) *Attorney, Agent, or Firm* — Faegre Baker Daniels LLP

(57) **CLAIM**

The ornamental design for a whiskey bullet, as shown and described.

**DESCRIPTION**

FIG. 1 is a front perspective view of a whiskey bullet, showing our new design;

FIG. 2 is a first side elevation view thereof;

FIG. 3 is a second side elevation view thereof;

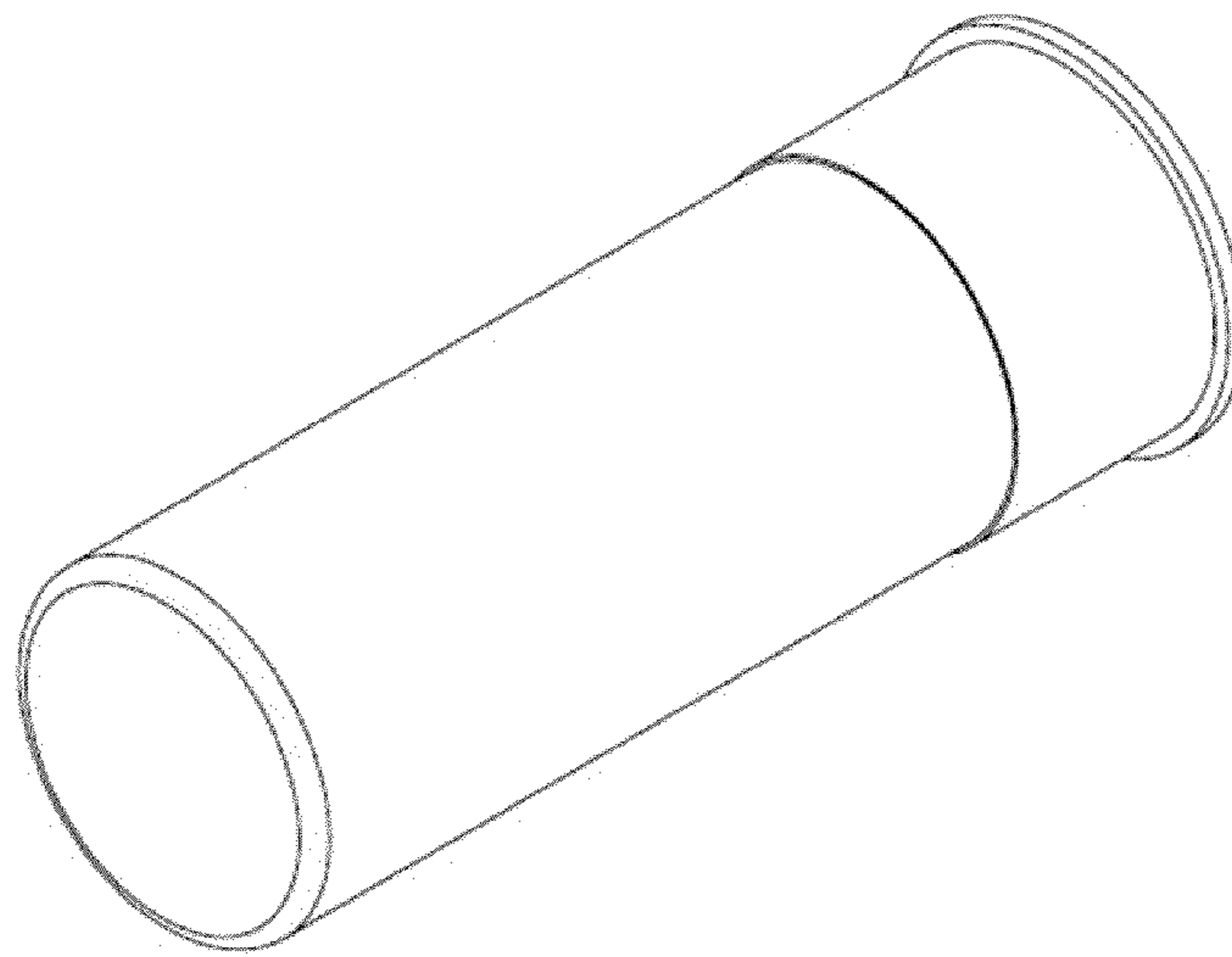
FIG. 4 is a front elevation view thereof;

FIG. 5 is a back elevation view thereof; and,

FIG. 6 is a top plan view thereof.

Any broken lines in the Figures do not form a part of the claimed design.

**1 Claim, 6 Drawing Sheets**



(56)

**References Cited**

U.S. PATENT DOCUMENTS

9,032,855 B1 5/2015 Foren et al.  
2006/0207464 A1 9/2006 Maljkovic et al.  
2007/0261587 A1 11/2007 Chung  
2010/0282112 A1 11/2010 Battaglia  
2011/0214583 A1 9/2011 Dutch  
2011/0290141 A1 12/2011 Engel et al.  
2012/0012023 A1 1/2012 Dietrich et al.

2012/0266772 A1 10/2012 Eckstein  
2012/0266773 A1 10/2012 Eckstein  
2014/0069290 A1 3/2014 Padgett et al.  
2014/0311332 A1 10/2014 Carlson et al.  
2014/0318404 A1 10/2014 Kerley  
2015/0007698 A1 1/2015 Crane  
2015/0033970 A1 2/2015 Maljkovic et al.  
2015/0107481 A1 4/2015 Nygaard  
2015/0144019 A1 5/2015 Andersson et al.

\* cited by examiner

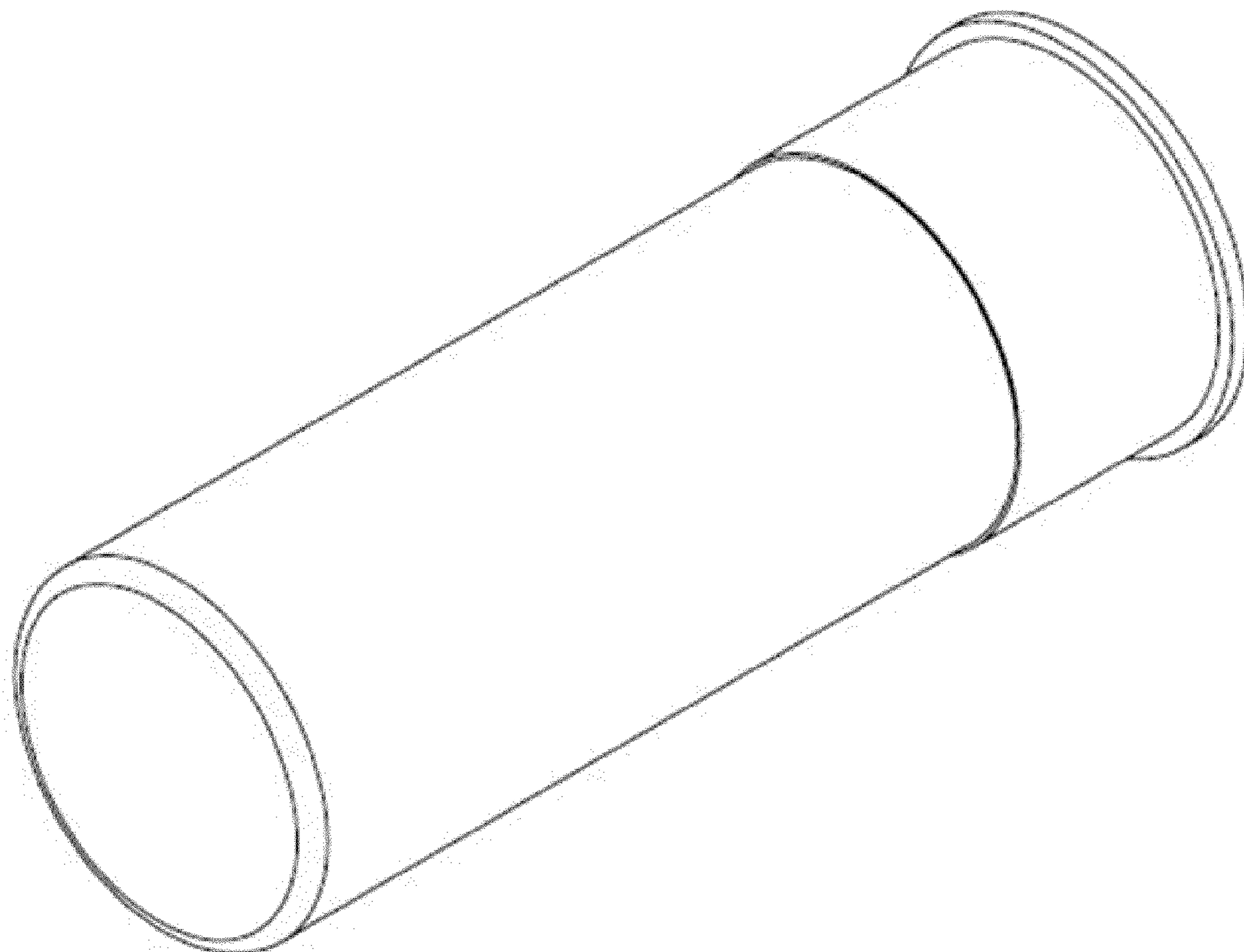


FIG. 1



FIG. 2

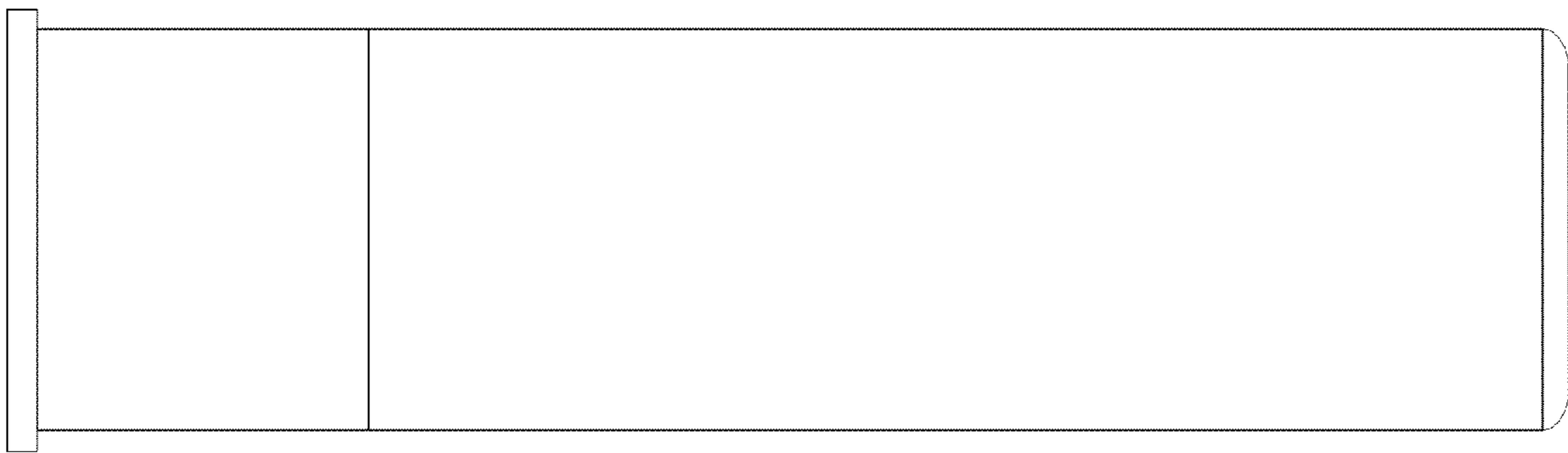


FIG. 3

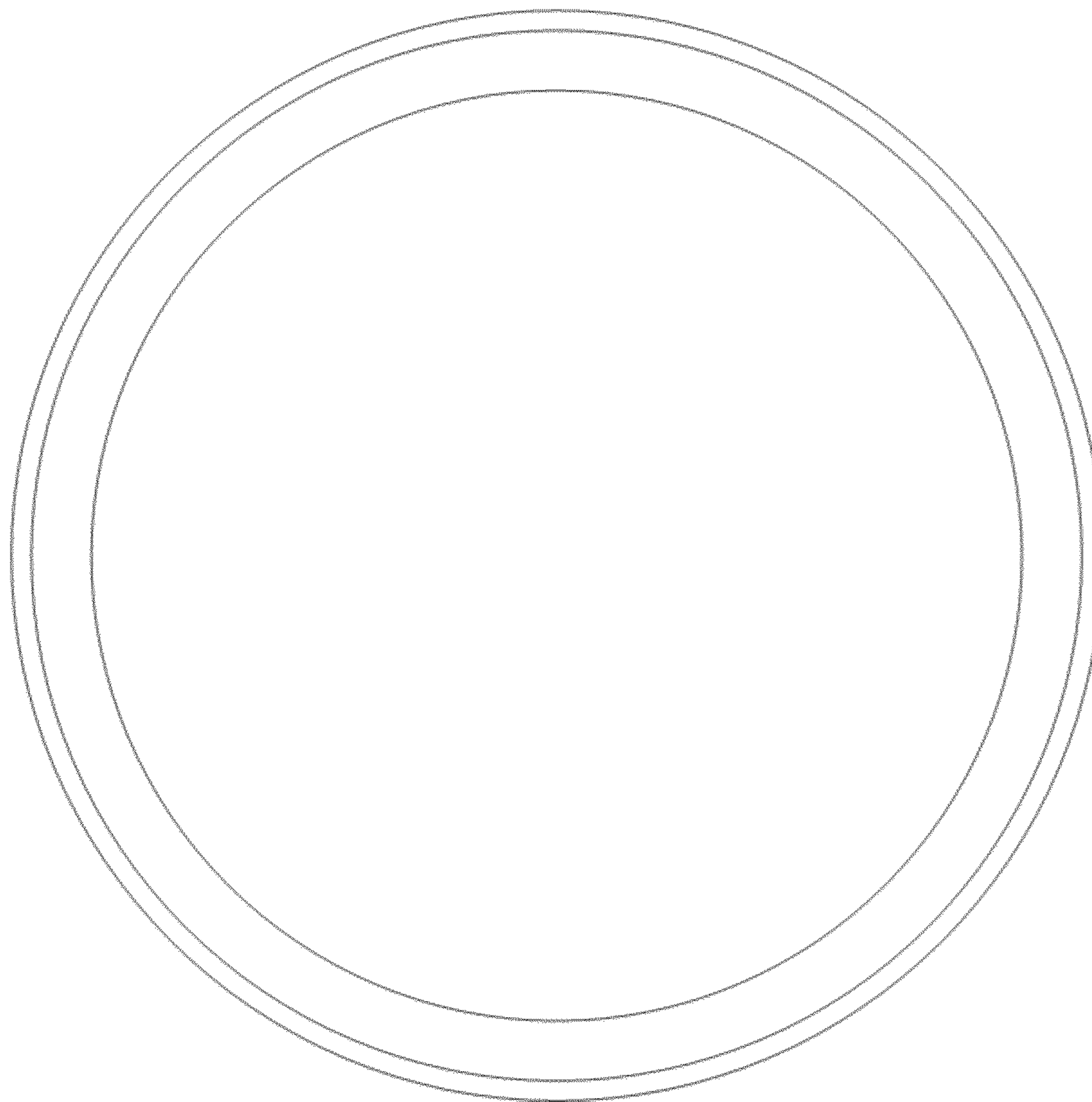


FIG. 4

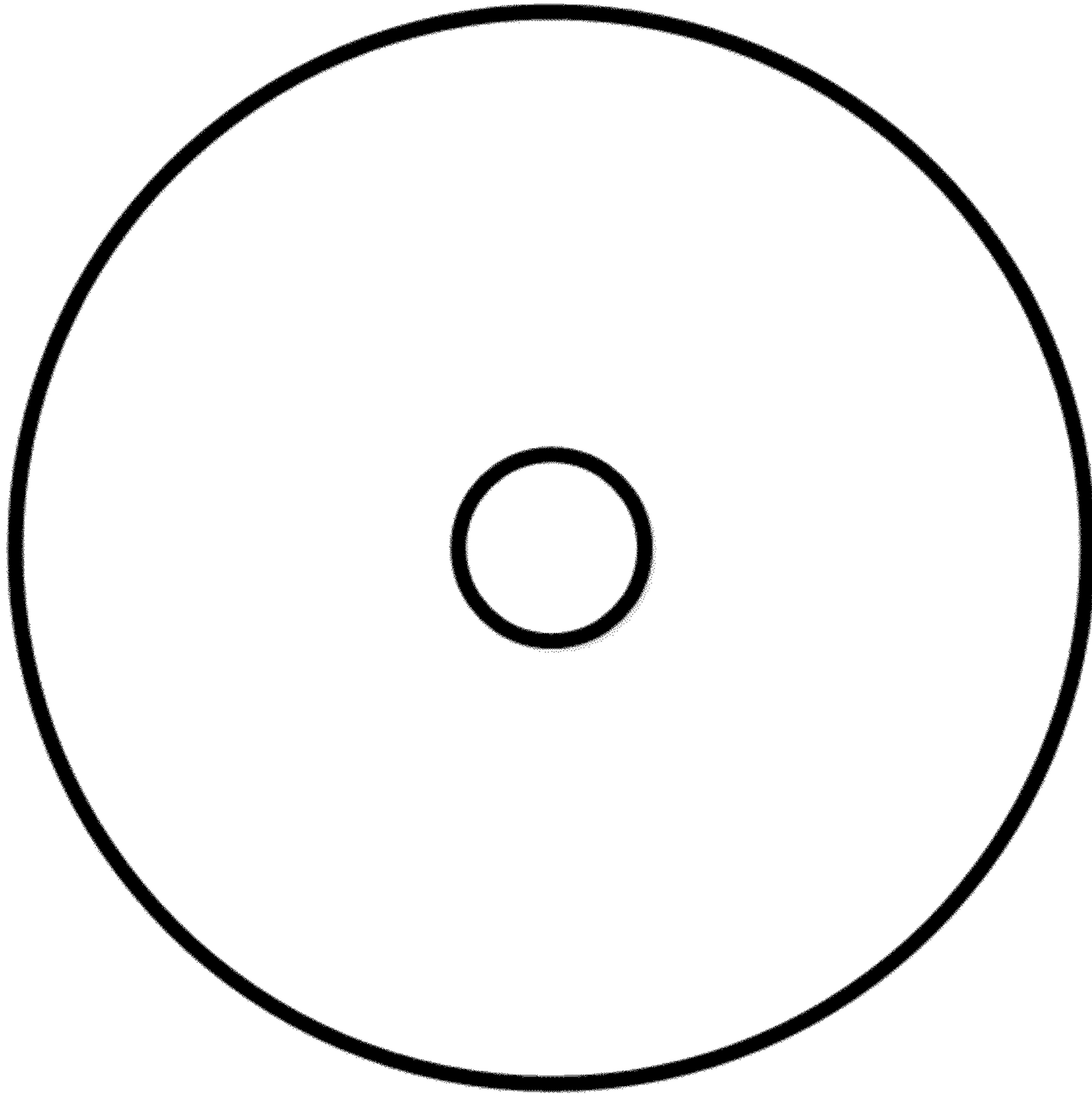


FIG. 5

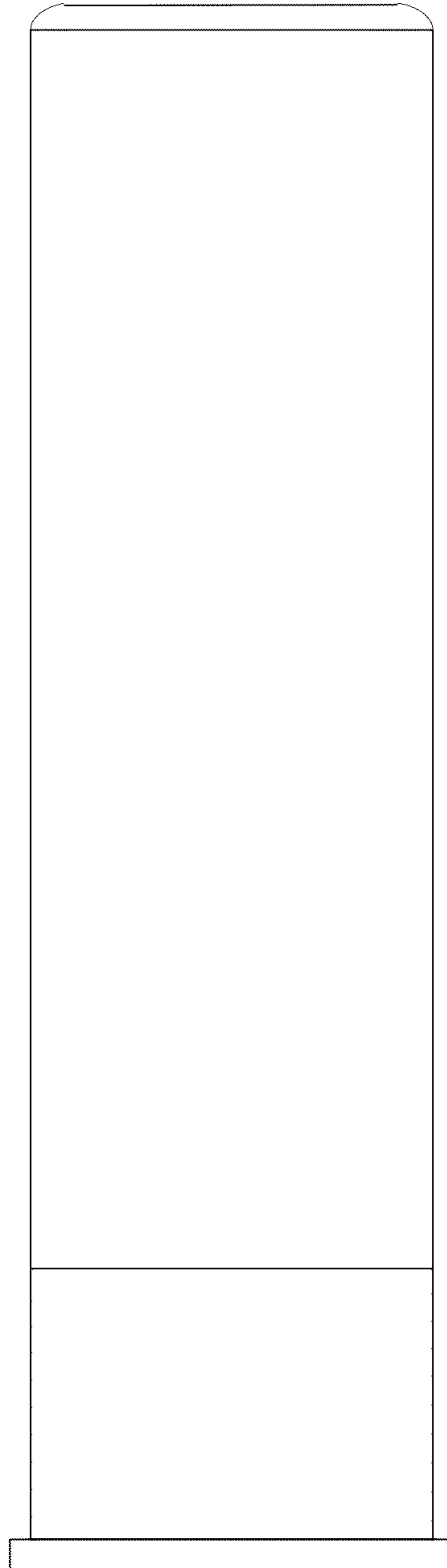


FIG. 6