



US00D754220S

(12) **United States Design Patent**
Seo et al.

(10) **Patent No.:** **US D754,220 S**
(45) **Date of Patent:** **** Apr. 19, 2016**

(54) **DOOR FOR REFRIGERATOR**

(71) Applicant: **LG Electronics Inc.**, Seoul (KR)
(72) Inventors: **Woonkyu Seo**, Seoul (KR); **Seungjin Yoon**, Seoul (KR); **Jaeyoung Kim**, Seoul (KR); **Daesung Lee**, Seoul (KR)
(73) Assignee: **LG Electronics Inc.**, Seoul (KR)

(**) Term: **14 Years**

(21) Appl. No.: **29/506,367**

(22) Filed: **Oct. 15, 2014**

(30) **Foreign Application Priority Data**

Apr. 15, 2014 (KR) 30-2014-0019043

(51) **LOC (10) Cl.** **15-07**

(52) **U.S. Cl.**
USPC **D15/89**

(58) **Field of Classification Search**
USPC D15/79-91
CPC F25B 21/02; F25B 2321/02; F25B 1/005; F25B 2321/0252; F25B 1/00; F25B 1/10; F25B 21/04; F25B 2339/047; F25B 5/02; F25B 7/00; F25B 13/00; F25B 1/053; F25B 2309/06; F25B 2321/021; F25B 2321/023; F25D 23/028; F25D 23/02; F25D 25/025; F25D 23/00; F25D 2323/021; F25D 11/00; F25D 2323/024; F25D 23/04; F25D 29/00; F25D 25/02; F25D 25/024; F25D 27/005; F25D 23/12; F25D 29/005; F25D 17/042; F25D 2325/021

See application file for complete search history.

(56) **References Cited**

U.S. PATENT DOCUMENTS

D697,537 S * 1/2014 Seo D15/89
D710,403 S * 8/2014 Seo D15/89
D735,252 S * 7/2015 Lee D15/89
D740,335 S * 10/2015 Hwang D15/89

* cited by examiner

Primary Examiner — Daniel Bui

Assistant Examiner — Khawaja Anwar

(74) *Attorney, Agent, or Firm* — Morgan, Lewis & Bockius LLP

(57) **CLAIM**

The ornamental design for a door for refrigerator, as shown and described.

DESCRIPTION

FIG. 1 is a perspective view of a door for refrigerator showing our new design;
FIG. 2 is a front view thereof;
FIG. 3 is a rear view thereof;
FIG. 4 is a left side view thereof;
FIG. 5 is a right side view thereof;
FIG. 6 is a top plan view thereof;
FIG. 7 is a bottom plan view thereof;
FIG. 8 is a cross-sectional view taken along the lines 8-8 of FIG. 2; and,
FIG. 9 is bottom perspective view thereof.
The broken lines show unclaimed subject matter only and form no part of the claimed design. The dash-dot broken lines define the bounds of the claimed design and form no part thereof.

1 Claim, 8 Drawing Sheets

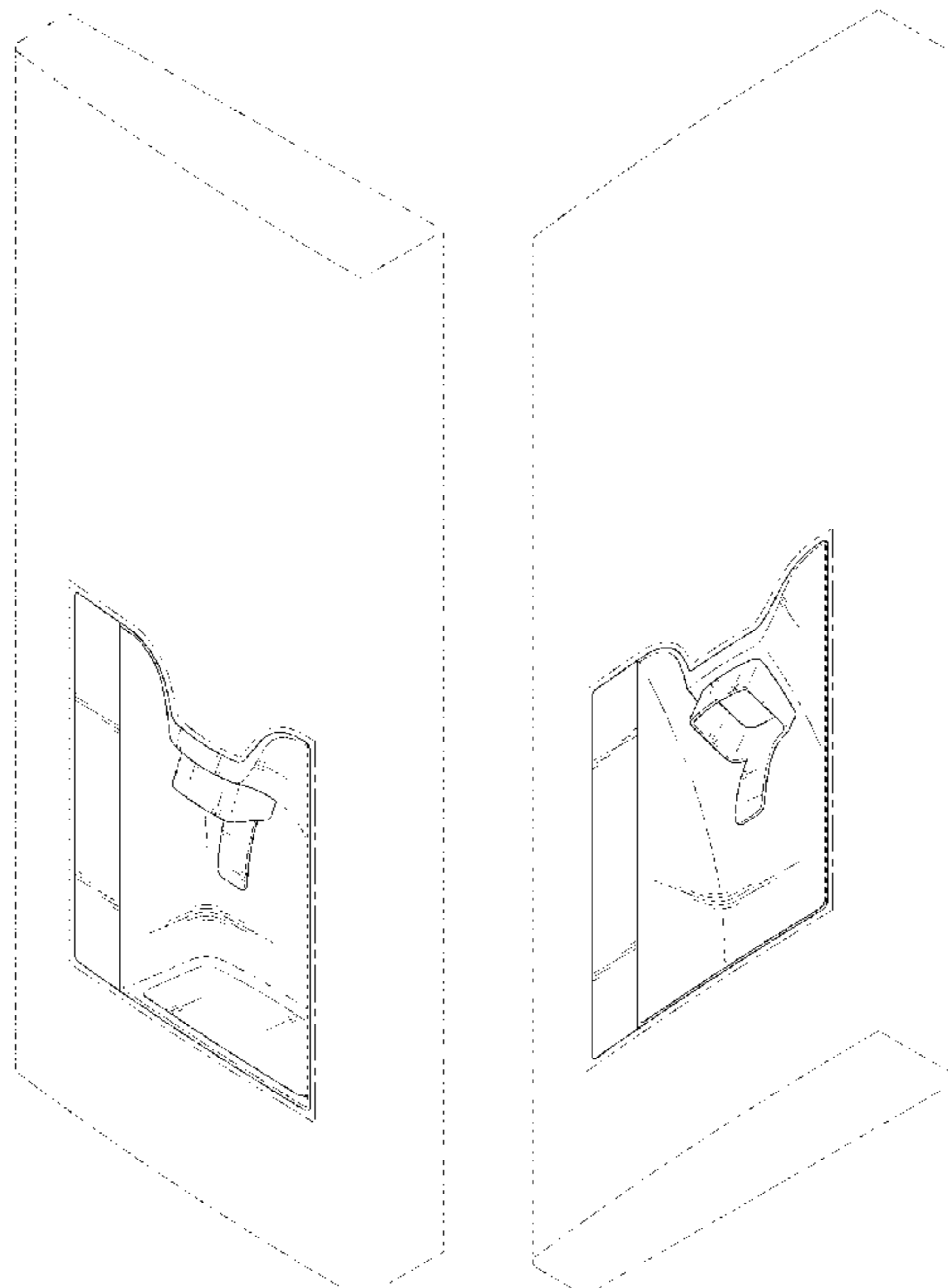


FIG. 1

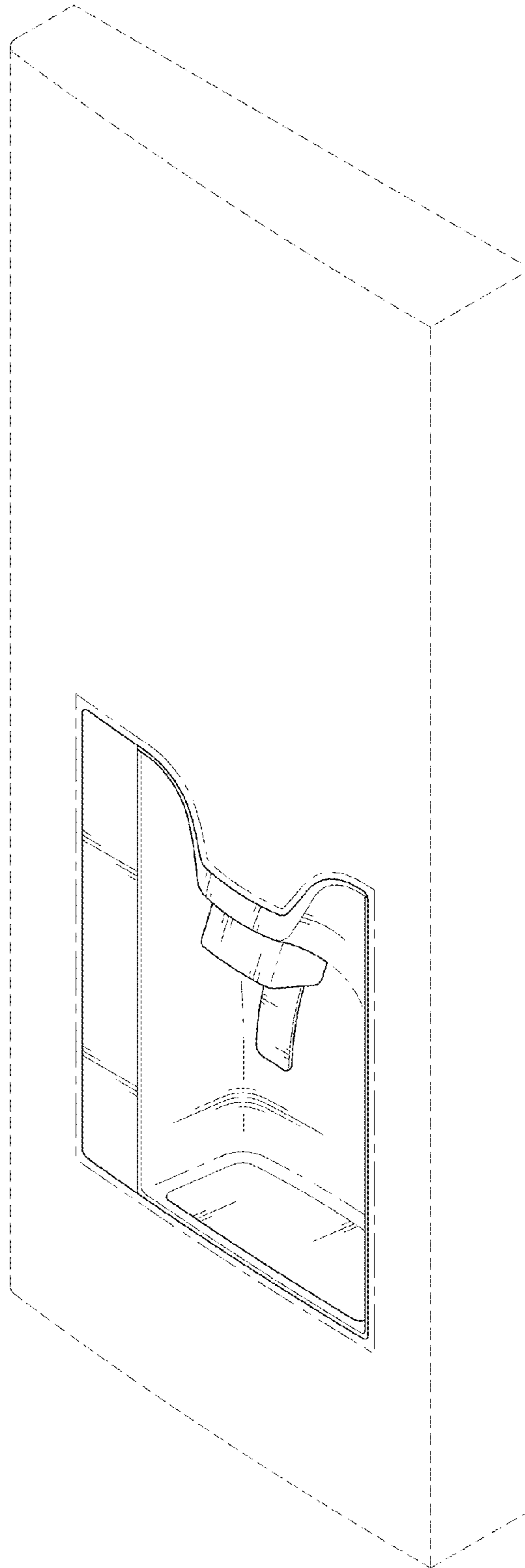


FIG. 2

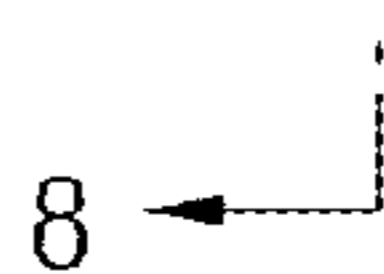
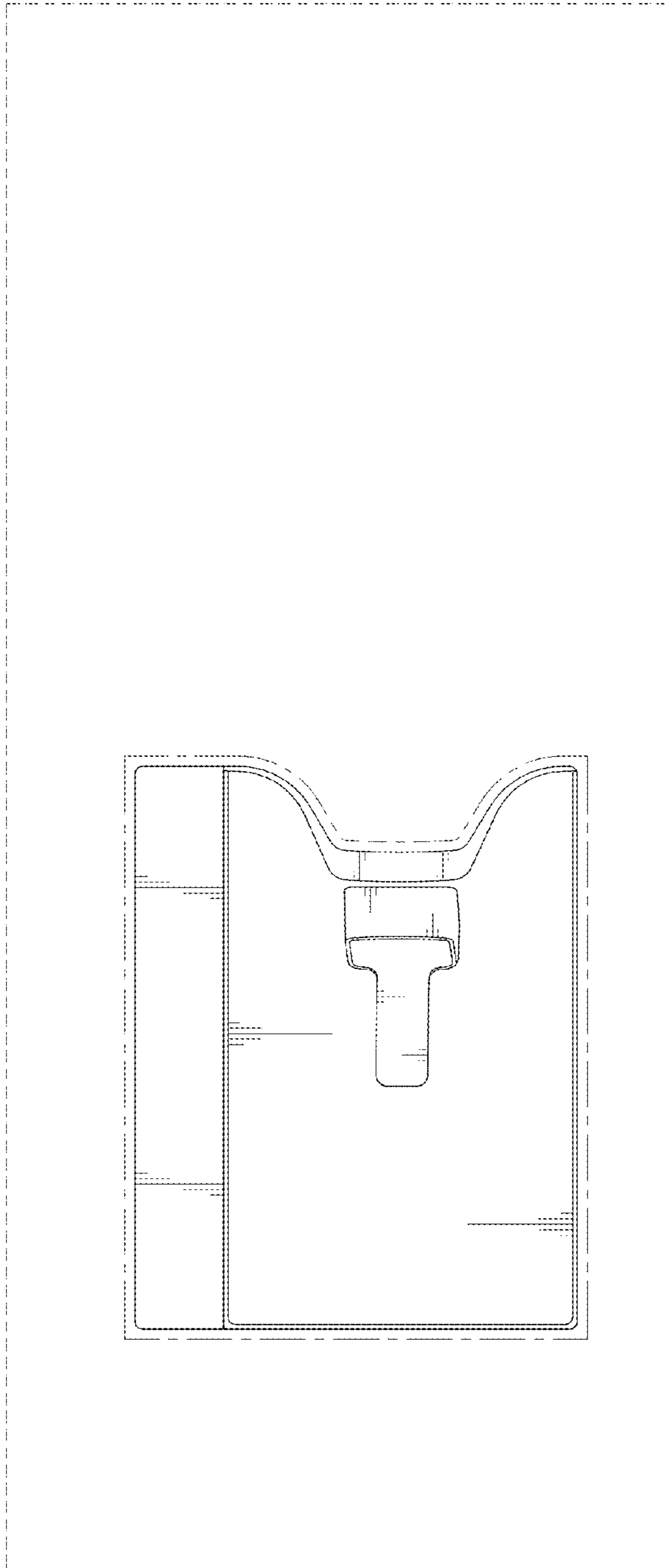
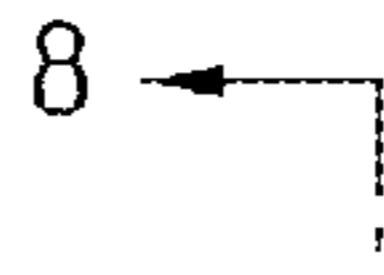


FIG. 3

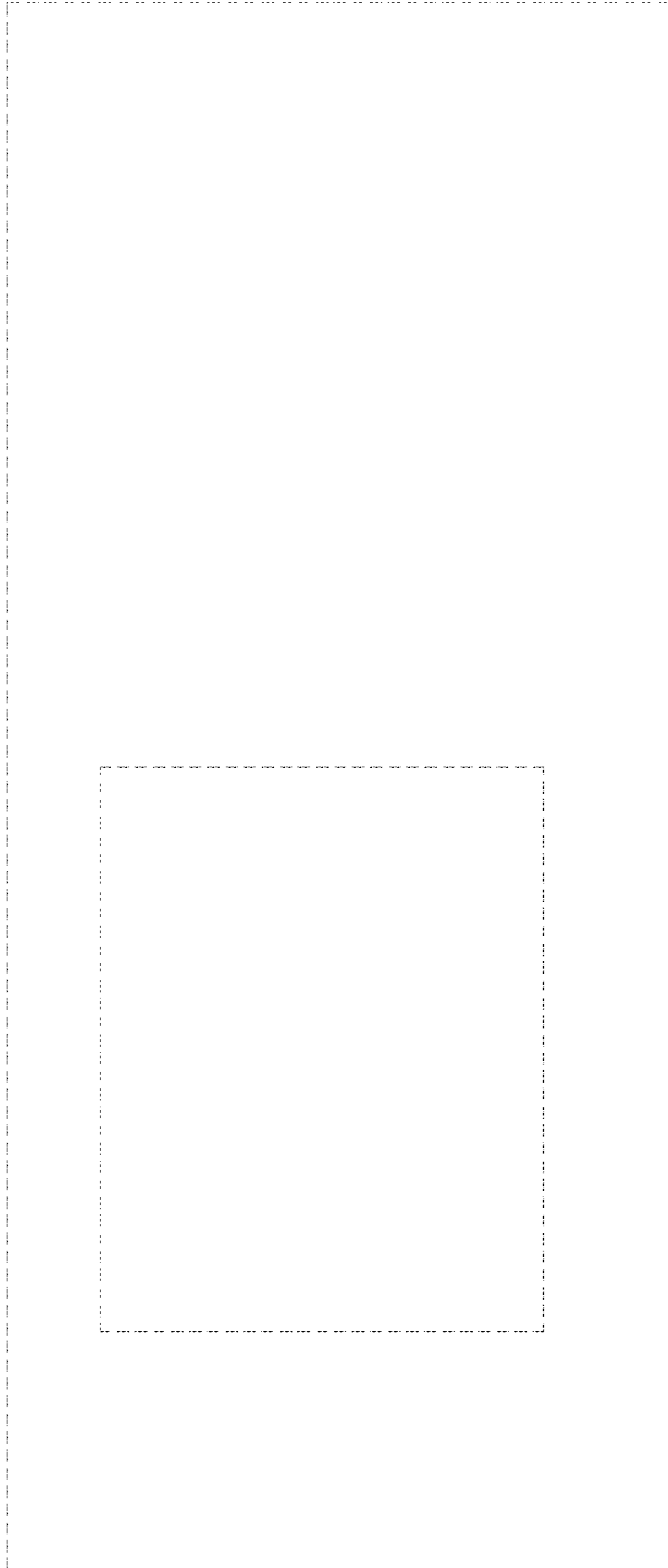


FIG. 4

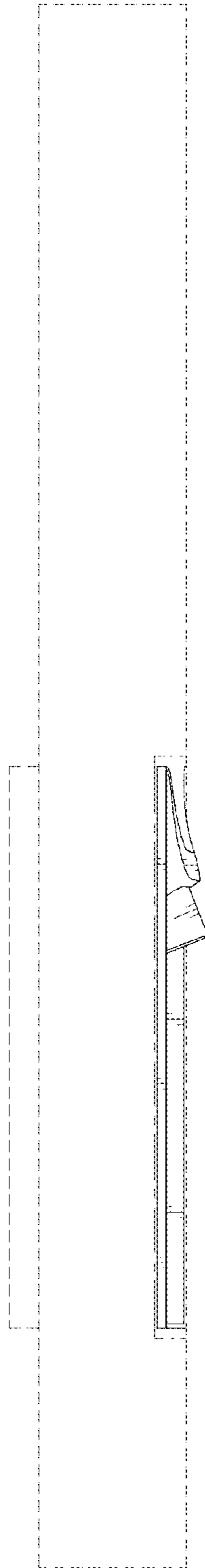


FIG. 5

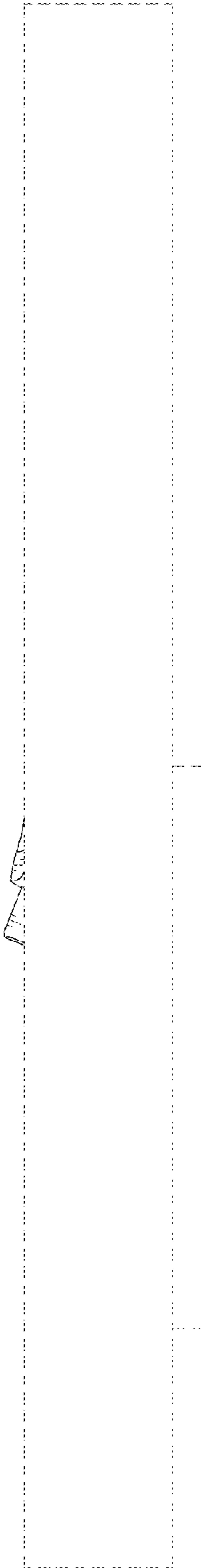


FIG. 6

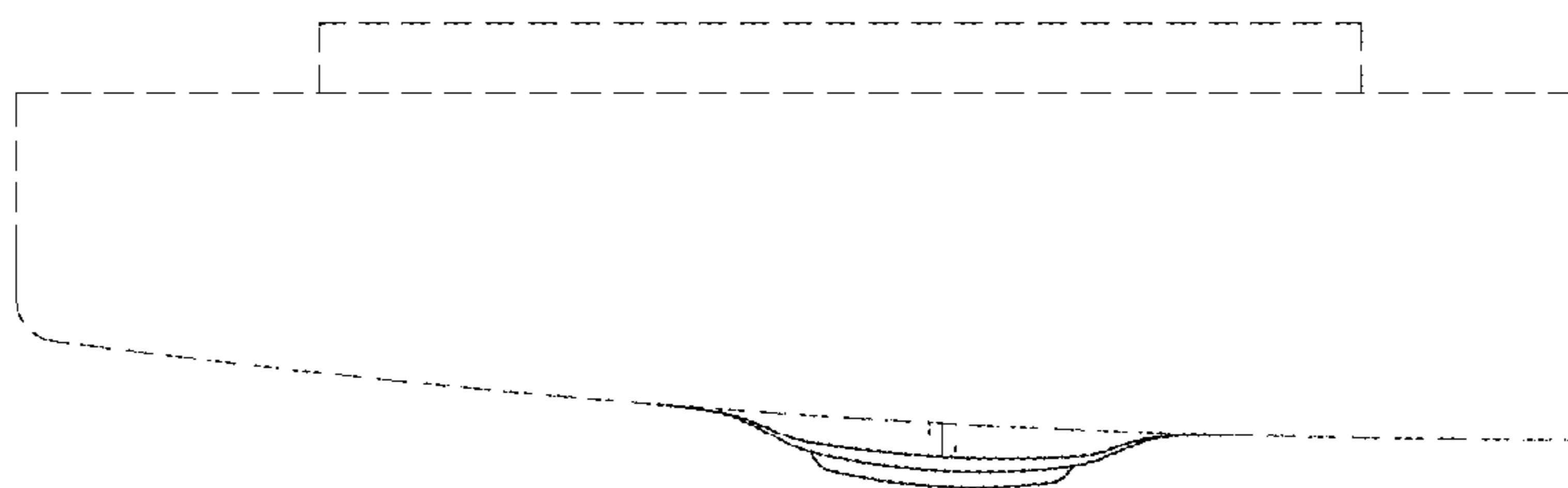


FIG. 7

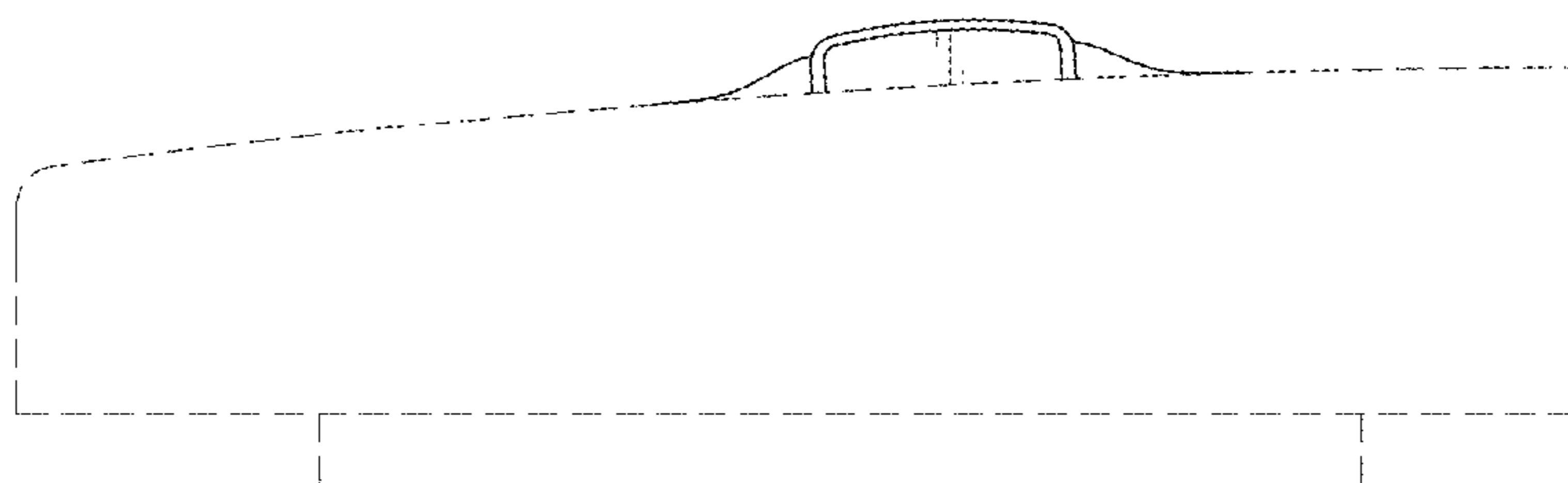


FIG. 8

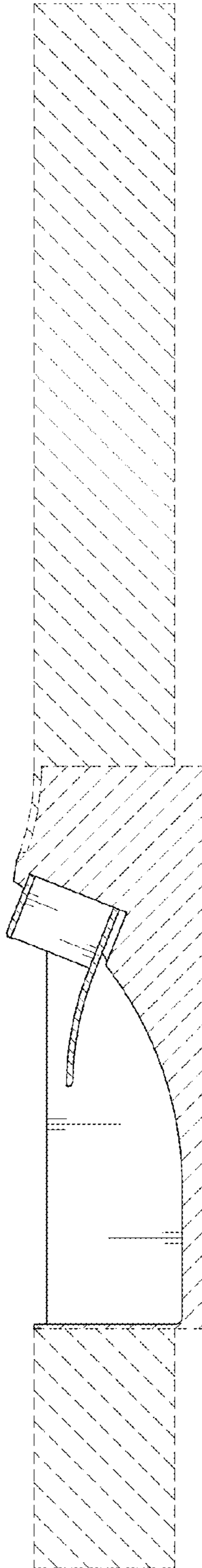


FIG. 9

