



US00D754218S

(12) **United States Design Patent**
Jeon et al.

(10) **Patent No.:** **US D754,218 S**

(45) **Date of Patent:** **** Apr. 19, 2016**

(54) **DOOR GUARD FOR REFRIGERATOR**

(56) **References Cited**

(71) Applicant: **Samsung Electronics Co., Ltd.**,
Suwon-si (KR)

U.S. PATENT DOCUMENTS

(72) Inventors: **Sang-Woon Jeon**, Namyangju-si (KR);
Se-Lim Yoon, Goyang-si (KR); **Jun-Kyo Lee**, Daegu (KR); **Hyun-il Lee**, Seoul (KR)

D286,730 S	*	11/1986	Tzifkansky	D15/89
D522,542 S	*	6/2006	Czach	D15/89
D527,749 S	*	9/2006	Eveland	D15/89
D589,989 S	*	4/2009	Crookshanks	D15/89
D714,843 S	*	10/2014	Jeon	D15/89
D724,118 S	*	3/2015	Kim	D15/89
D734,785 S	*	7/2015	Lee	D15/89
D735,251 S	*	7/2015	Jeon	D15/89

(73) Assignee: **SAMSUNG ELECTRONICS CO., LTD.** (KR)

* cited by examiner

(**) Term: **14 Years**

Primary Examiner — Mark Goodwin

(21) Appl. No.: **29/502,960**

(74) *Attorney, Agent, or Firm* — Cantor Colburn LLP

(22) Filed: **Sep. 22, 2014**

(57) **CLAIM**

The ornamental design for a door guard for refrigerator, as shown and described.

(30) **Foreign Application Priority Data**

DESCRIPTION

Mar. 24, 2014 (KR) 30-2014-0014511

(51) **LOC (10) Cl.** **15-07**

(52) **U.S. Cl.**
USPC **D15/89**

(58) **Field of Classification Search**

CPC F25D 23/028; F25D 23/02; F25D 23/00;
F25D 23/04; F25D 23/12; F25D 25/025;
F25D 25/02; F25D 25/024; F25D 2323/021;
F25D 2323/024; F25D 11/00; F25D 29/00;
F25D 29/005; F25D 27/005; F25D 17/042;
F25D 2325/021

FIG. 1 is a perspective view of a door guard for refrigerator, showing our new design;

FIG. 2 is a front view thereof;

FIG. 3 is a rear view thereof;

FIG. 4 is a side view thereof;

FIG. 5 is a another side view thereof;

FIG. 6 is a top view thereof;

FIG. 7 is a bottom view thereof; and,

FIG. 8 is another perspective view thereof, in an alternate configuration.

The broken lines are for environmental purpose only and form no part of the claimed design.

See application file for complete search history.

1 Claim, 5 Drawing Sheets

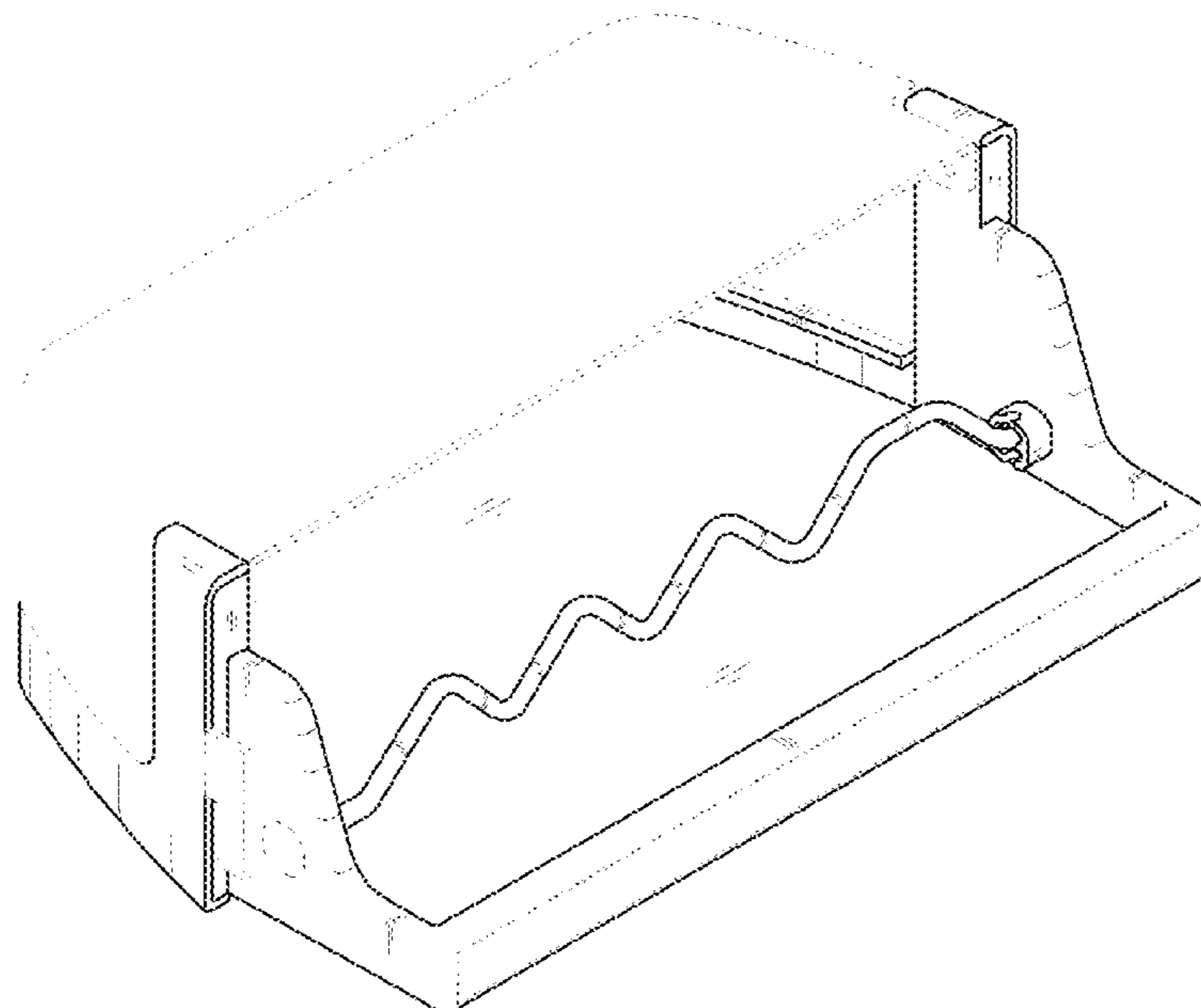


FIG. 1

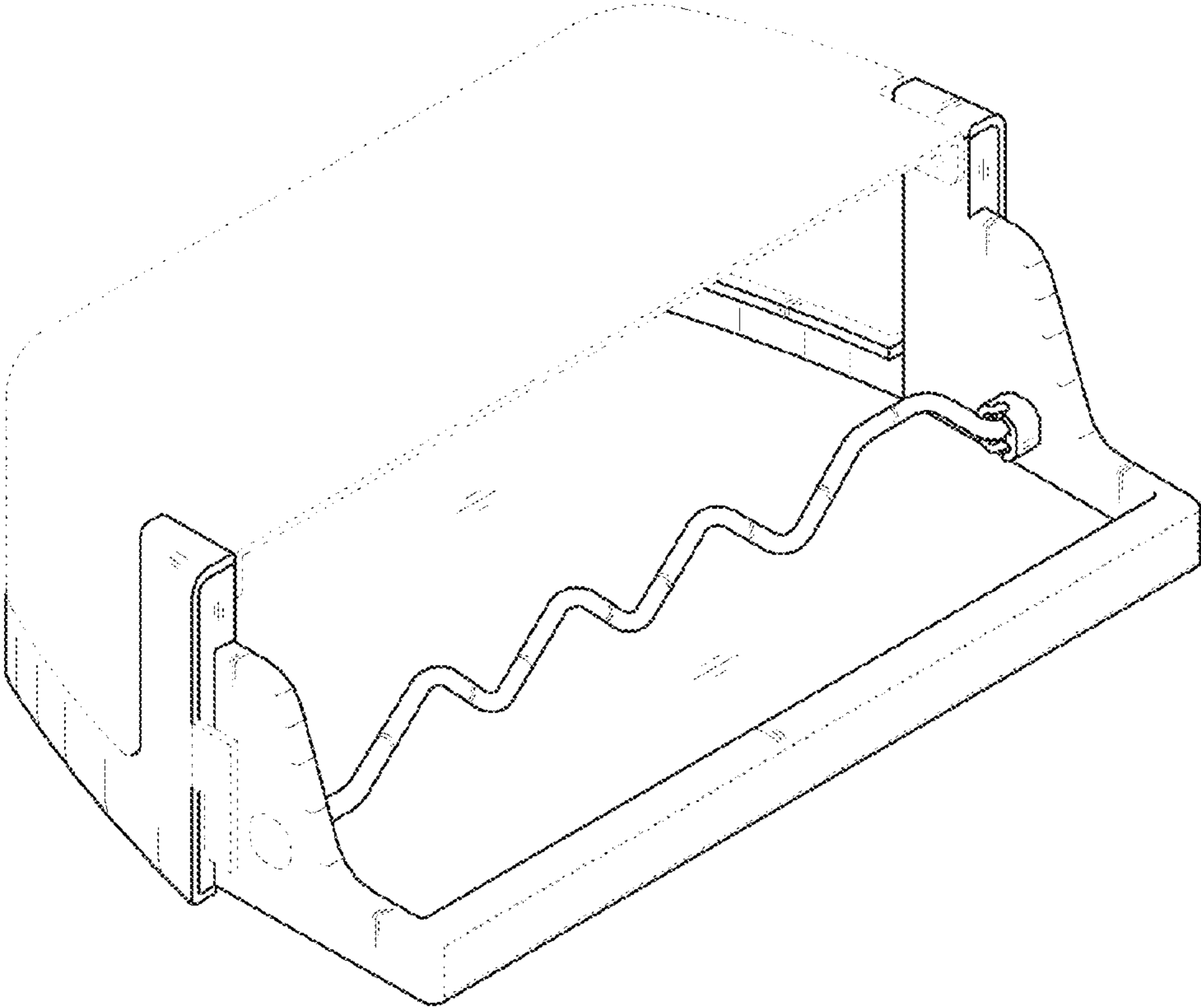


FIG. 2

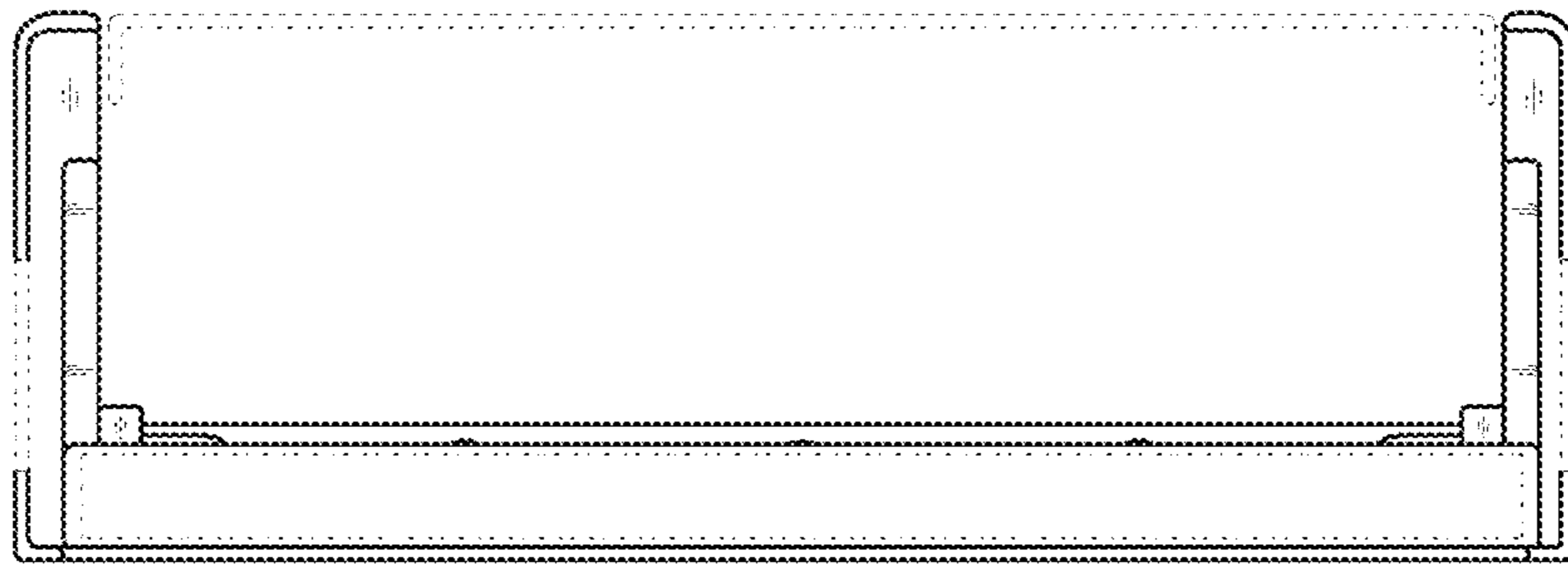


FIG. 3

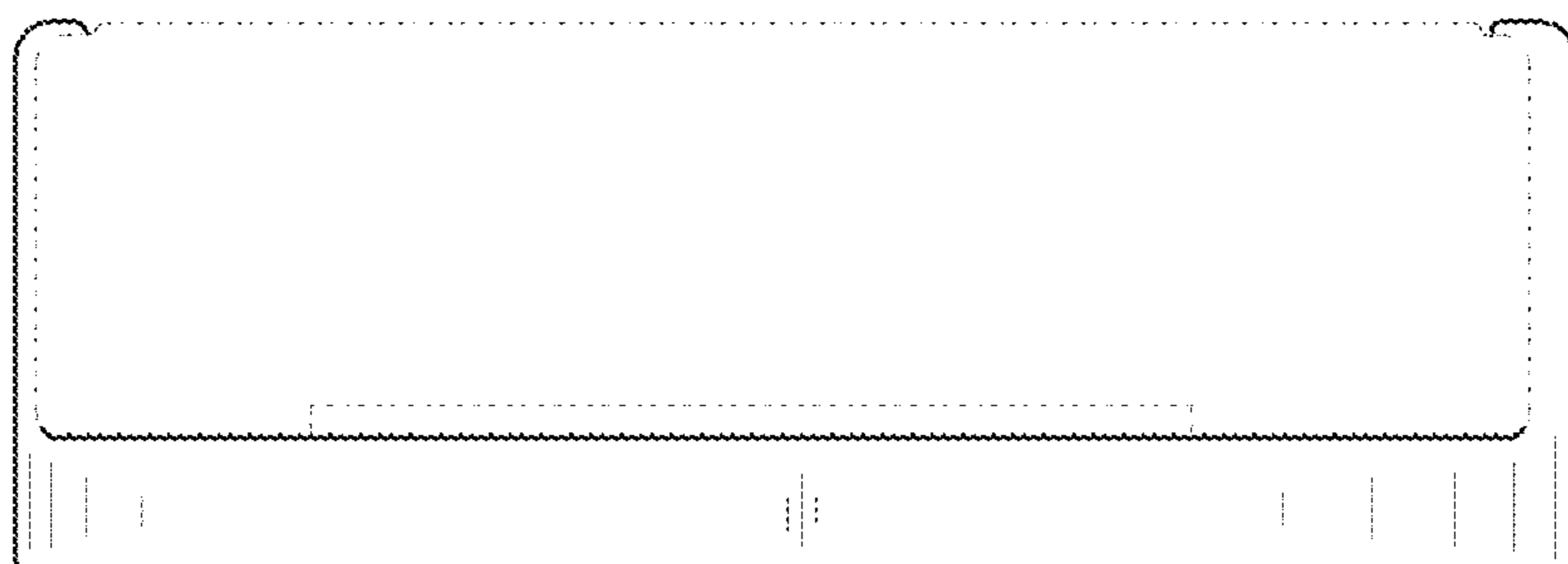


FIG. 4

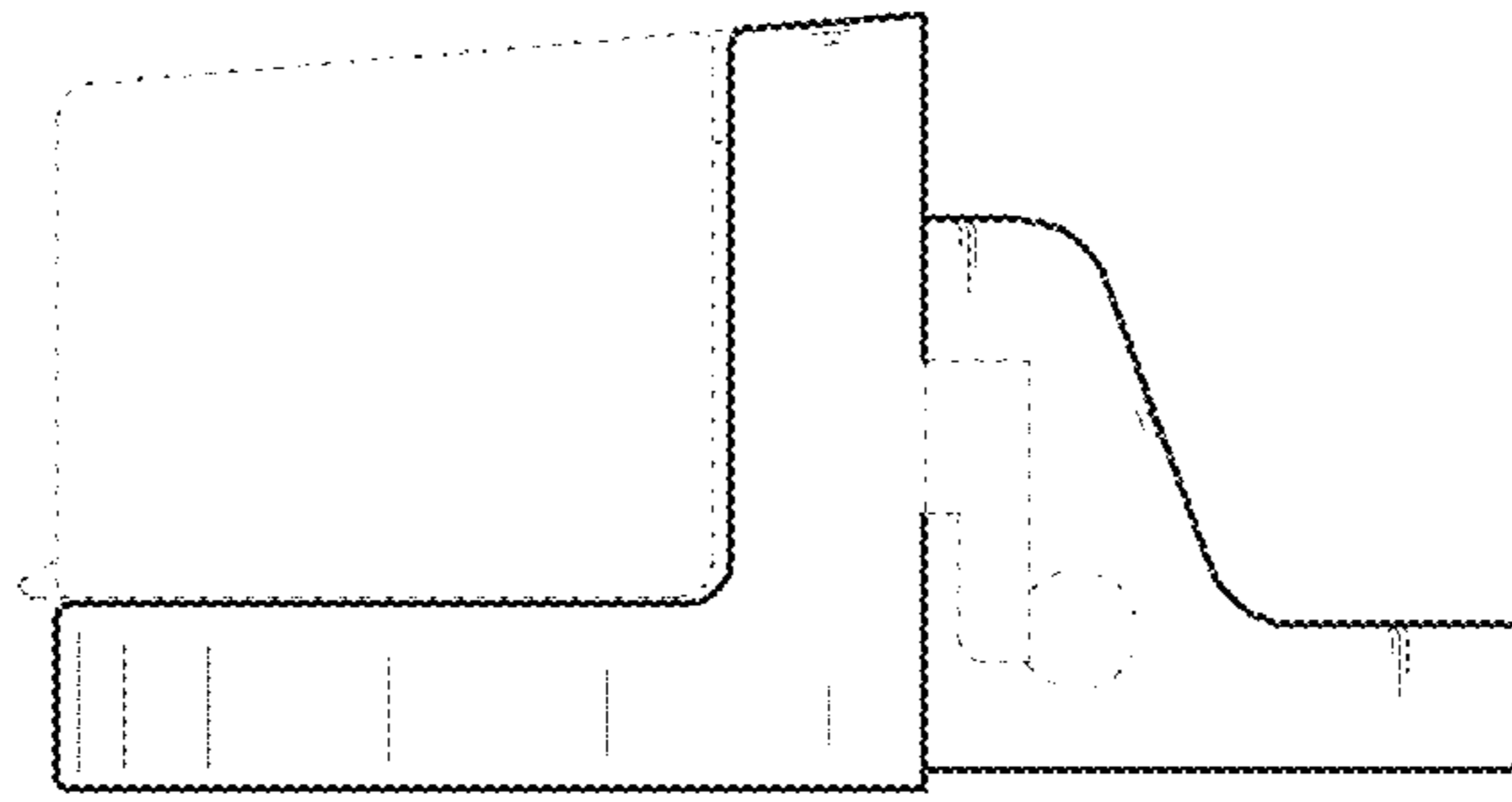


FIG. 5

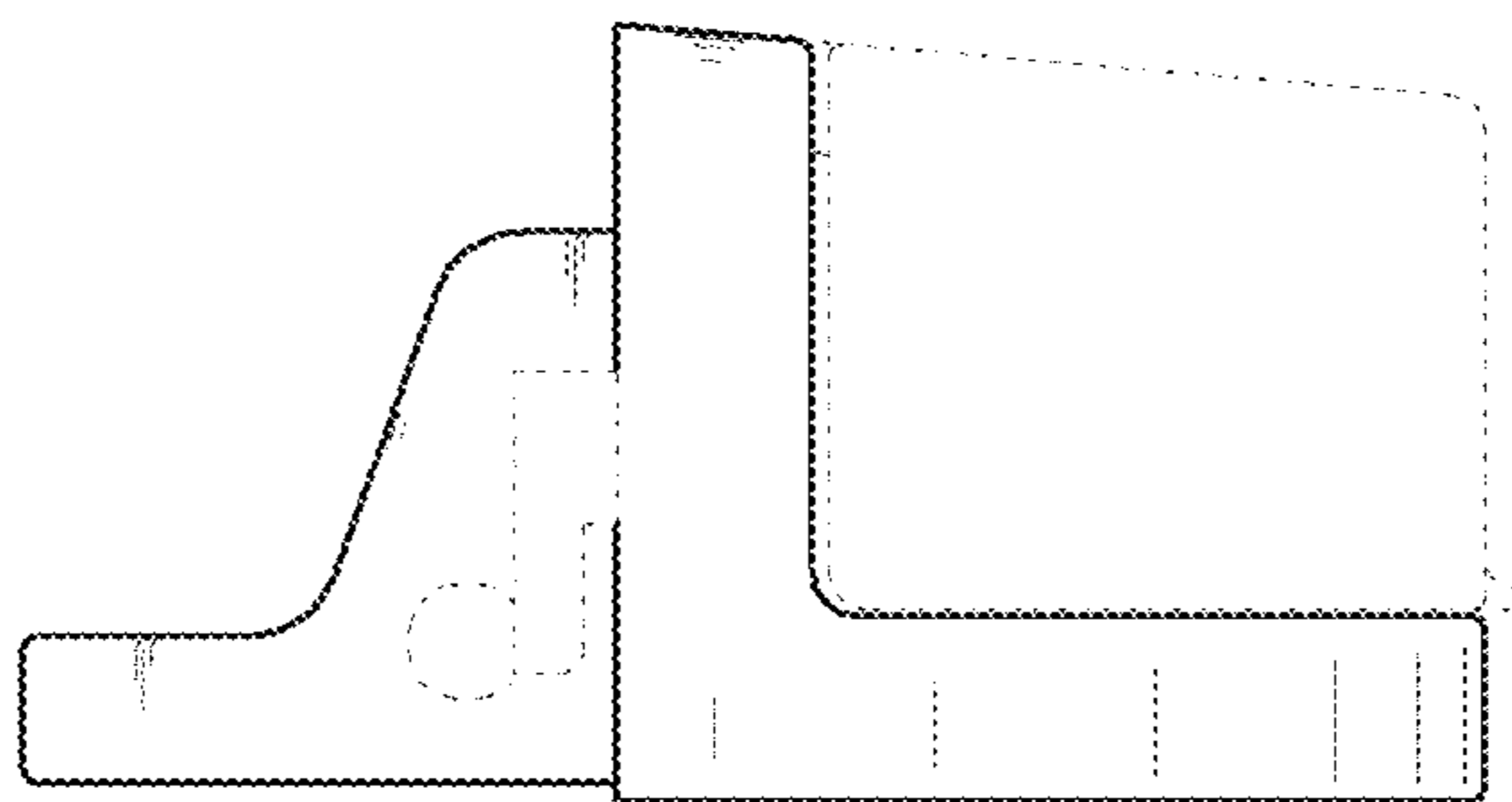


FIG. 6

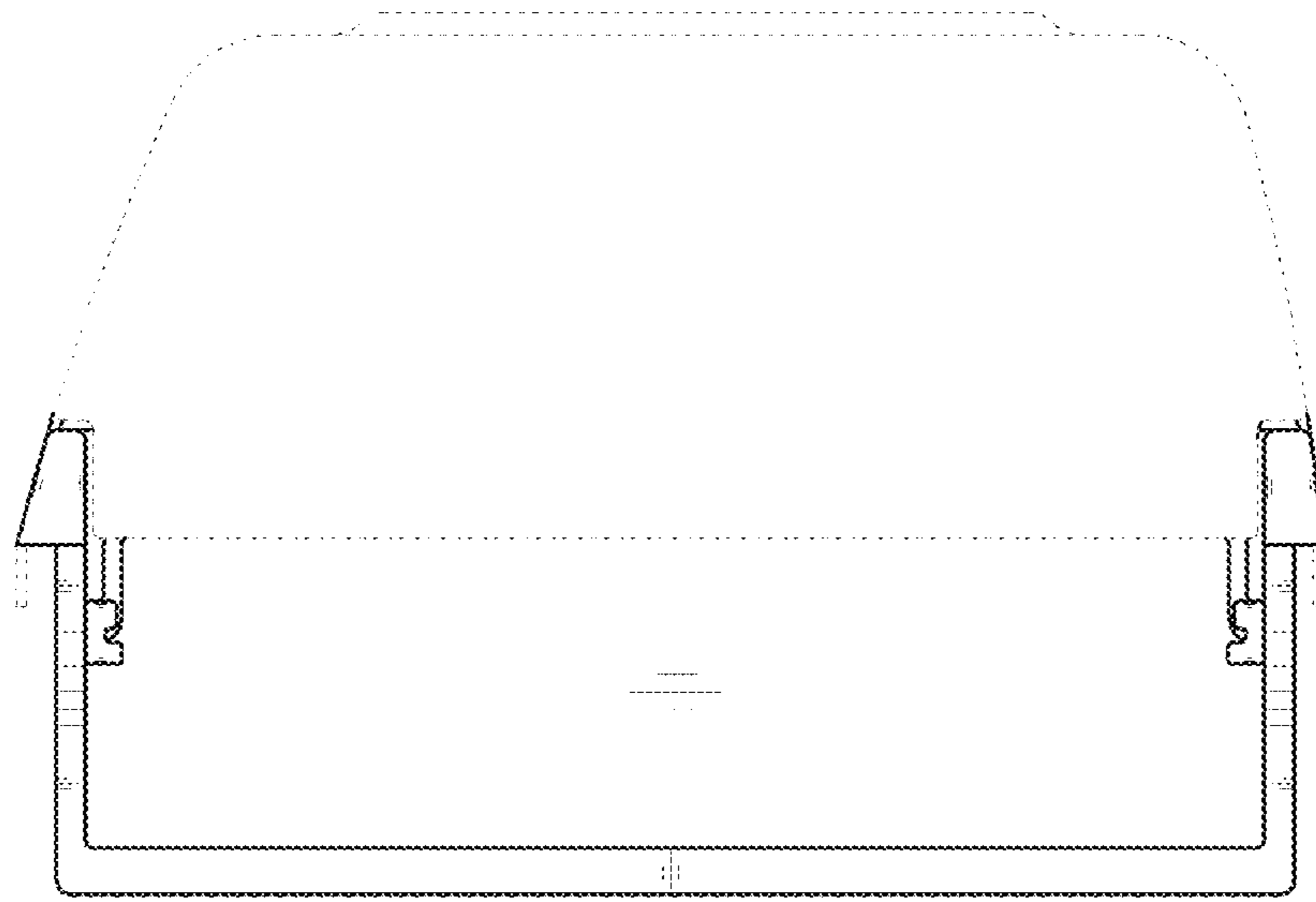


FIG. 7

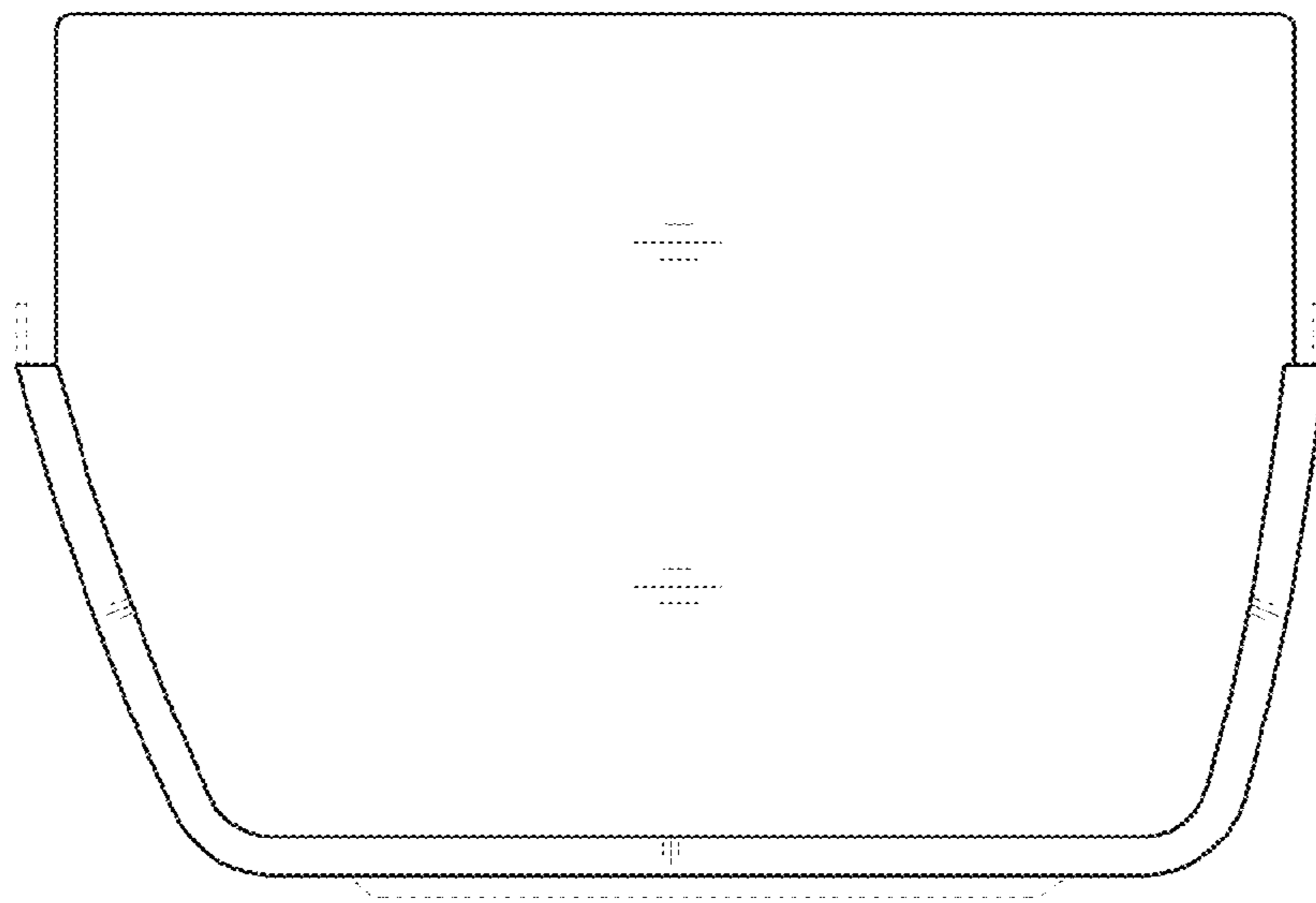


FIG. 8

