

US00D754216S

(12) **United States Design Patent**
Ng

(10) **Patent No.:** **US D754,216 S**
(45) **Date of Patent:** **** Apr. 19, 2016**

(54) **LOOM HOOK**
(71) Applicant: **Choon's Design LLC**, Wixom, MI (US)
(72) Inventor: **Cheong Choon Ng**, Novi, MI (US)
(73) Assignee: **Choon's Design LLC**, Wixom, MI (US)
(**) Term: **14 Years**

8,402,794 B2 * 3/2013 Sasur D04B 3/00
66/3
D684,451 S 6/2013 Jennings et al.
8,622,441 B1 1/2014 Ng
D700,819 S 3/2014 Funston
D711,931 S * 8/2014 Daftari D15/66
D717,347 S * 11/2014 Hatcher D15/66
D721,744 S * 1/2015 Daftari D15/66
D732,582 S * 6/2015 Verona D15/66
2008/0223083 A1 * 9/2008 Gustin D04B 5/00
66/1 A

(21) Appl. No.: **29/513,828**

FOREIGN PATENT DOCUMENTS

(22) Filed: **Jan. 6, 2015**

AU 354361 2/2014

(51) **LOC (10) Cl.** **15-06**

OTHER PUBLICATIONS

(52) **U.S. Cl.**
USPC **D15/66**

(58) **Field of Classification Search**
USPC D15/66, 78
CPC D04B 5/00; D04B 3/00; D03D 29/00
See application file for complete search history.

Rainbow Loom; http://www.youtube.com/watch?v=Oqdo8ehsJ6Y&list=PLIk9e422p_n3wQ8OH6tZp4cmP5v3LSWL4; Jun. 10, 2013.
Rainbow Loom® Starburst Bracelet; <http://www.youtube.com/watch?v=96Yihbv1wQs>; Jul. 31, 2013.
Lesson 2: Mini Rainbow Loom® video—Mini Loom Bracelet; <http://www.youtube.com/watch?v=UuHbD4m9WiU>; Sep. 30, 2012.
How to Engineer a Fad; <http://theartofdoing.com/tag/rainbow-loom/>; Aug. 21, 2013.

(56) **References Cited**

U.S. PATENT DOCUMENTS

2,077,532 A * 4/1937 Rossiter D03D 29/00
139/33
3,294,124 A * 12/1966 Berger D03D 29/00
28/152
3,688,357 A * 9/1972 Nielsen D03D 29/00
28/149
3,827,091 A * 8/1974 Hocevar D04D 5/00
28/149
3,986,468 A 10/1976 Szostak et al.
4,072,173 A * 2/1978 Markowitz D03D 29/00
139/34
D273,588 S * 4/1984 Barrett D15/66
D310,672 S * 9/1990 Harvey D15/66
5,443,474 A 8/1995 Sfakianos et al.
D379,750 S 6/1997 Thompson et al.
D384,253 S 9/1997 Patino
D394,793 S 6/1998 Ma
D493,032 S 7/2004 Eck et al.
7,506,524 B2 * 3/2009 Gustin D04B 3/00
66/1 A
D597,808 S 8/2009 Lee et al.
D633,113 S 2/2011 Selter
D676,879 S * 2/2013 Hudgins D15/66

* cited by examiner

Primary Examiner — Mitchell Siegel
(74) *Attorney, Agent, or Firm* — Carlson, Gaskey & Olds, P.C.

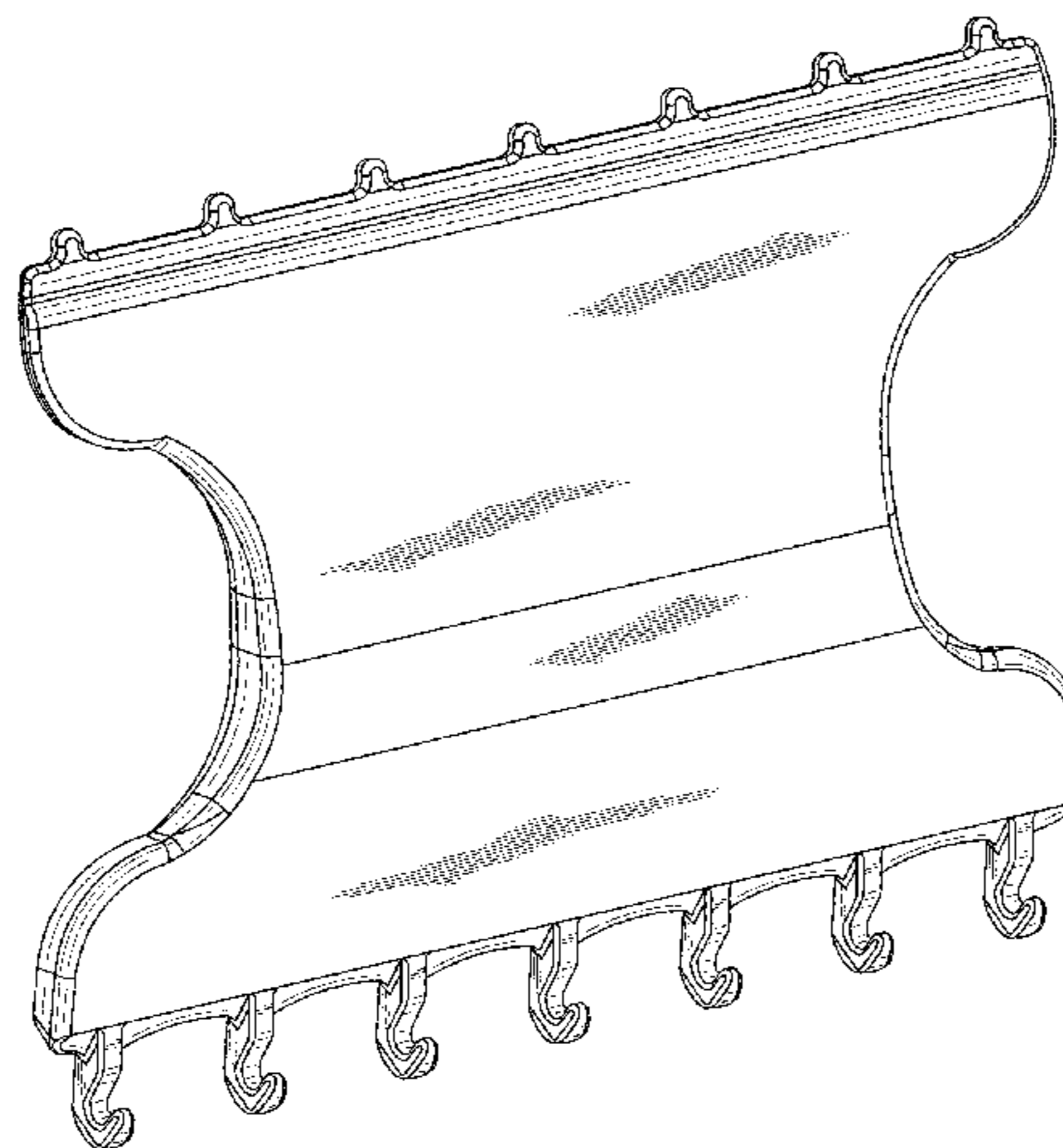
(57) **CLAIM**

The ornamental design for a loom hook, as shown and described.

DESCRIPTION

FIG. 1 is a perspective view of the loom hook.
FIG. 2 is a front view of the loom hook.
FIG. 3 is a bottom view of the loom hook.
FIG. 4 is a top view of the loom hook.
FIG. 5 is a back view of the loom hook; and,
FIG. 6 is a side view of the loom hook.

1 Claim, 3 Drawing Sheets



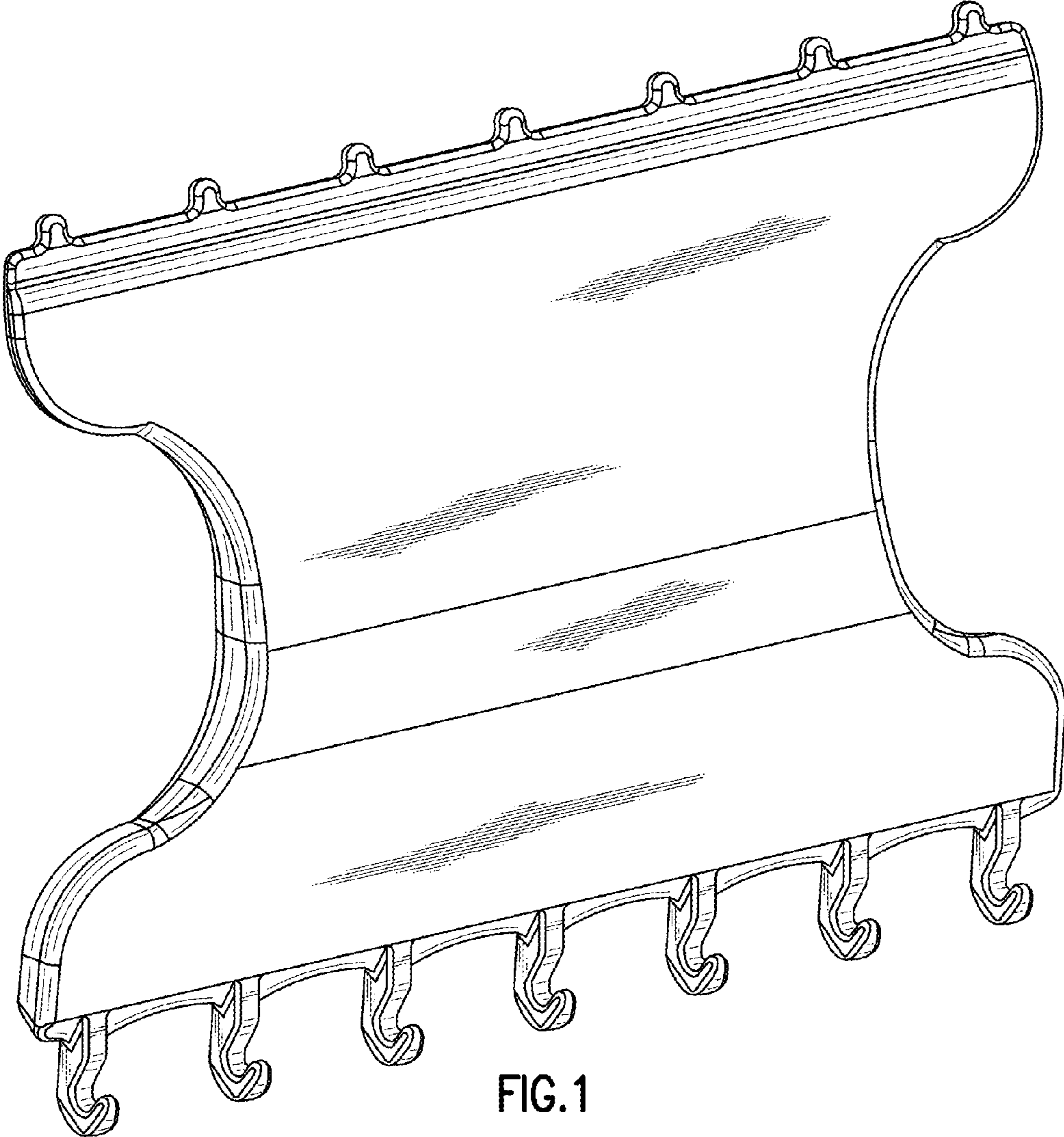


FIG. 1

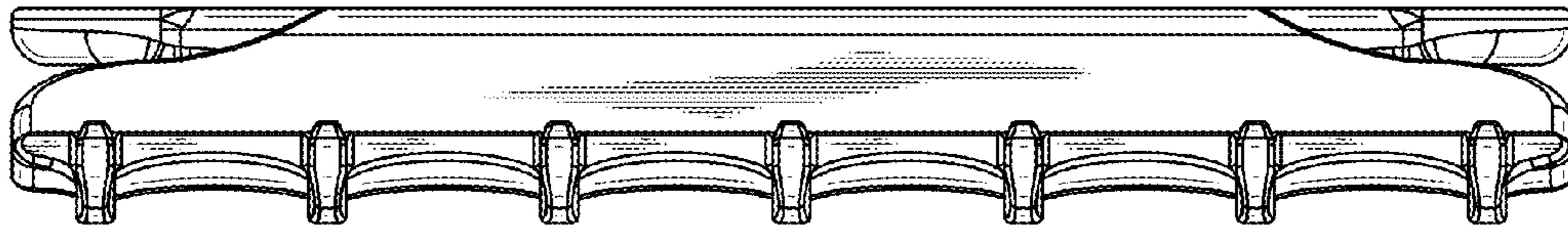


FIG.3

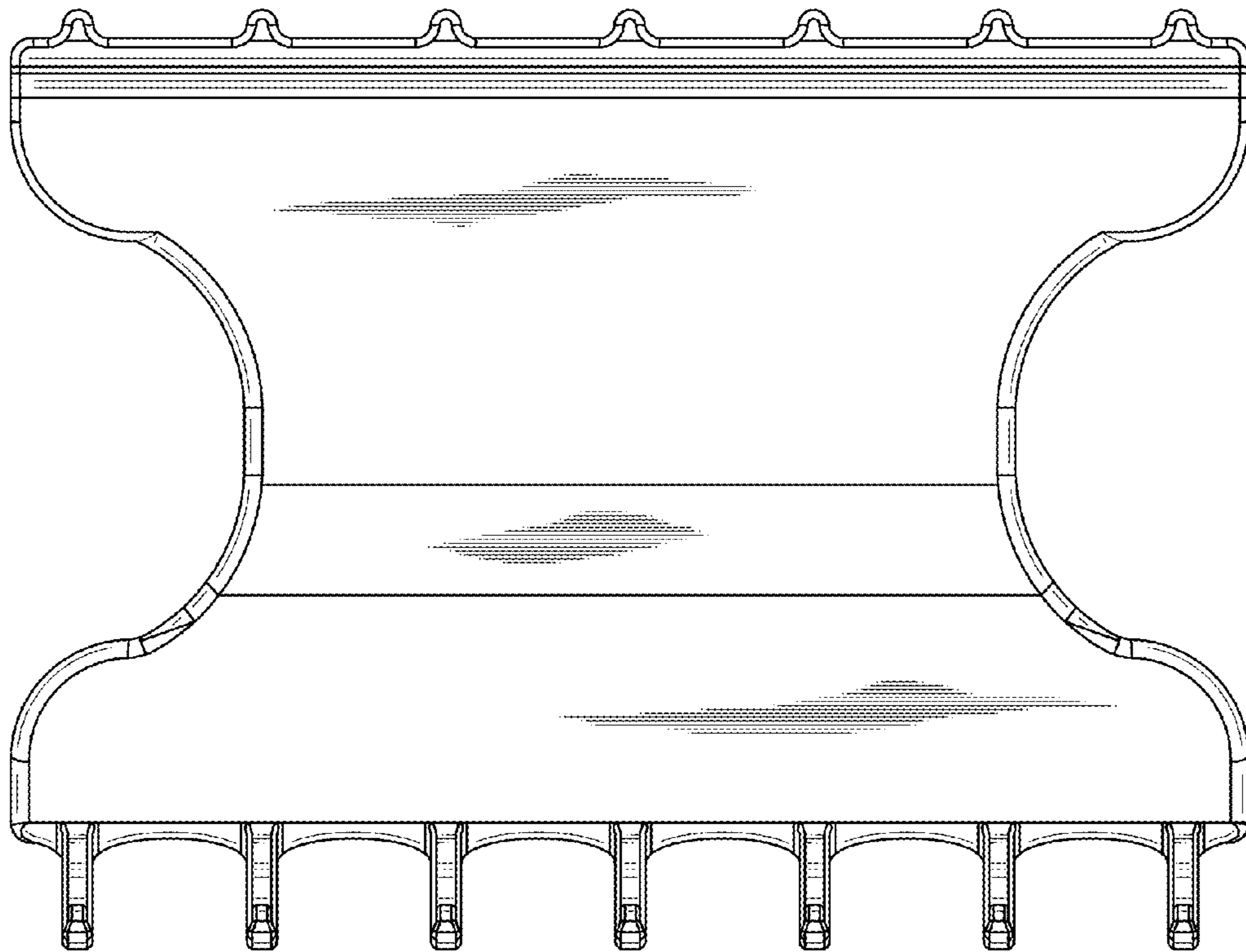


FIG.2

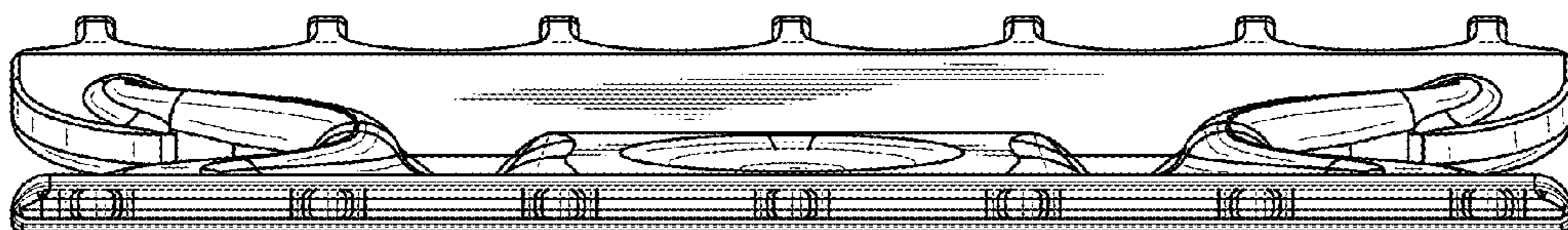


FIG.4

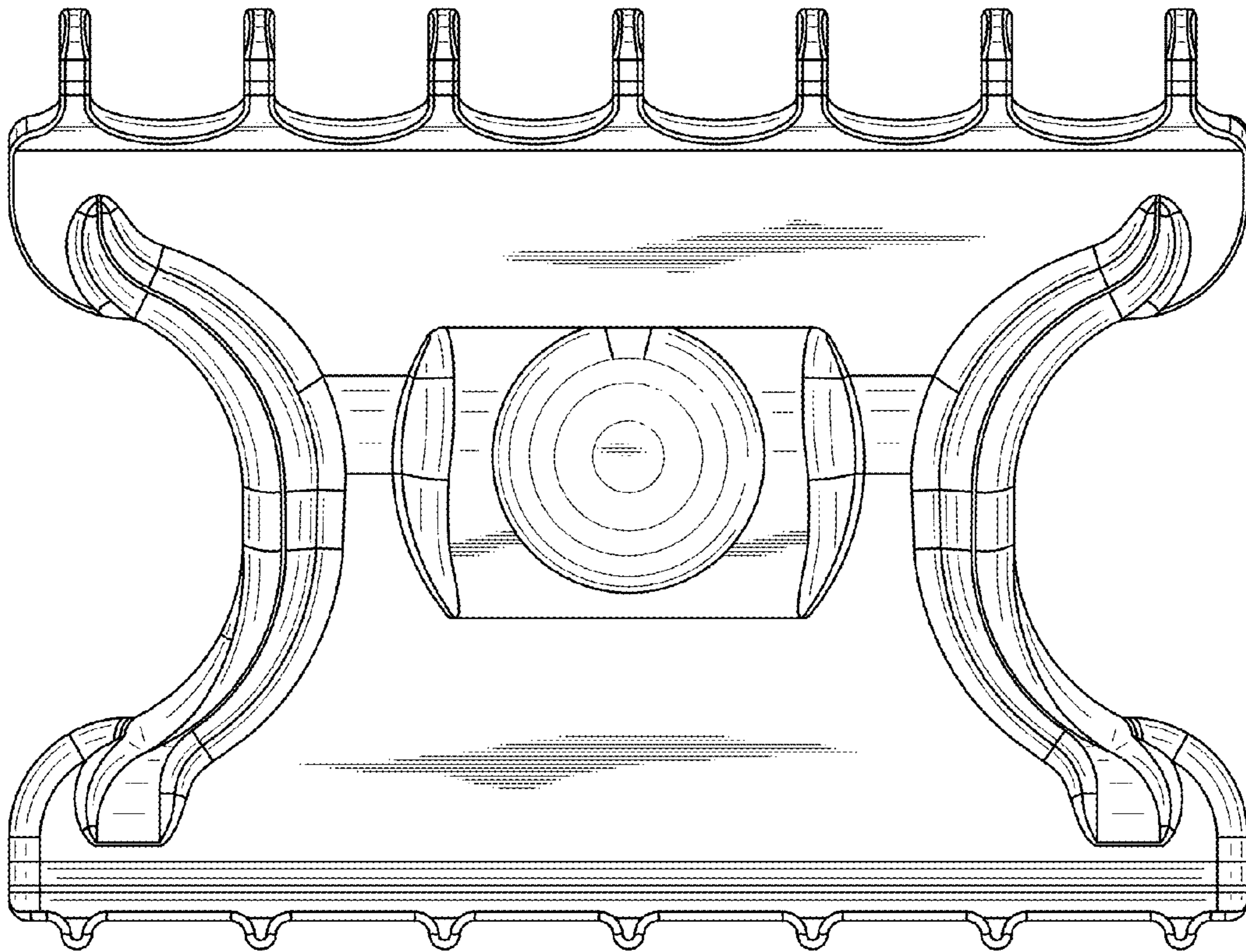


FIG.5

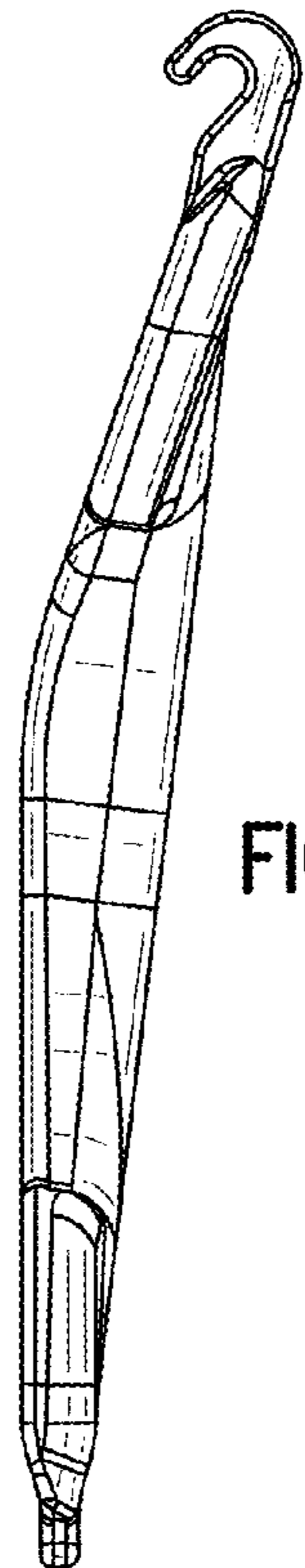


FIG.6

UNITED STATES PATENT AND TRADEMARK OFFICE
CERTIFICATE OF CORRECTION

PATENT NO. : D754,216 S
APPLICATION NO. : 29/513828
DATED : April 19, 2016
INVENTOR(S) : Cheong Choon Ng

Page 1 of 1

It is certified that error appears in the above-identified patent and that said Letters Patent is hereby corrected as shown below:

On the Title Page

(57) CLAIM should read as:

--I claim: The ornamental design for a loom hook as shown and described.--

Signed and Sealed this
Ninth Day of May, 2017



Michelle K. Lee
Director of the United States Patent and Trademark Office