



US00D754215S

(12) **United States Design Patent**  
**Okuyama et al.**

(10) **Patent No.:** **US D754,215 S**  
(45) **Date of Patent:** **\*\* Apr. 19, 2016**

(54) **BONNET FOR TRACTOR**

(71) Applicant: **Yanmar Co., Ltd.**, Osaka-shi (JP)  
(72) Inventors: **Kiyoyuki Okuyama**, Yamagata (JP);  
**Fumio Ishibashi**, Osaka (JP)  
(73) Assignee: **YANMAR CO., LTD.**, Osaka-shi (JP)  
(\*\*) Term: **14 Years**  
(21) Appl. No.: **29/503,364**  
(22) Filed: **Sep. 25, 2014**

(30) **Foreign Application Priority Data**

Mar. 31, 2014 (JP) ..... D2014-7151  
Mar. 31, 2014 (JP) ..... D2014-7152

(51) **LOC (10) Cl.** ..... **12-09**  
(52) **U.S. Cl.**  
USPC ..... **D15/31**  
(58) **Field of Classification Search**  
USPC ..... D15/10, 14-17, 22-26, 28, 30, 31  
CPC ..... B62D 49/00-49/085  
See application file for complete search history.

(56) **References Cited**

**U.S. PATENT DOCUMENTS**

D546,351 S \* 7/2007 Arthur et al. .... D15/31  
D586,828 S \* 2/2009 Staines et al. .... D15/31  
(Continued)

*Primary Examiner* — Mitchell Siegel

(74) *Attorney, Agent, or Firm* — Sterne, Kessler, Goldstein  
& Fox P.L.L.C.

(57) **CLAIM**

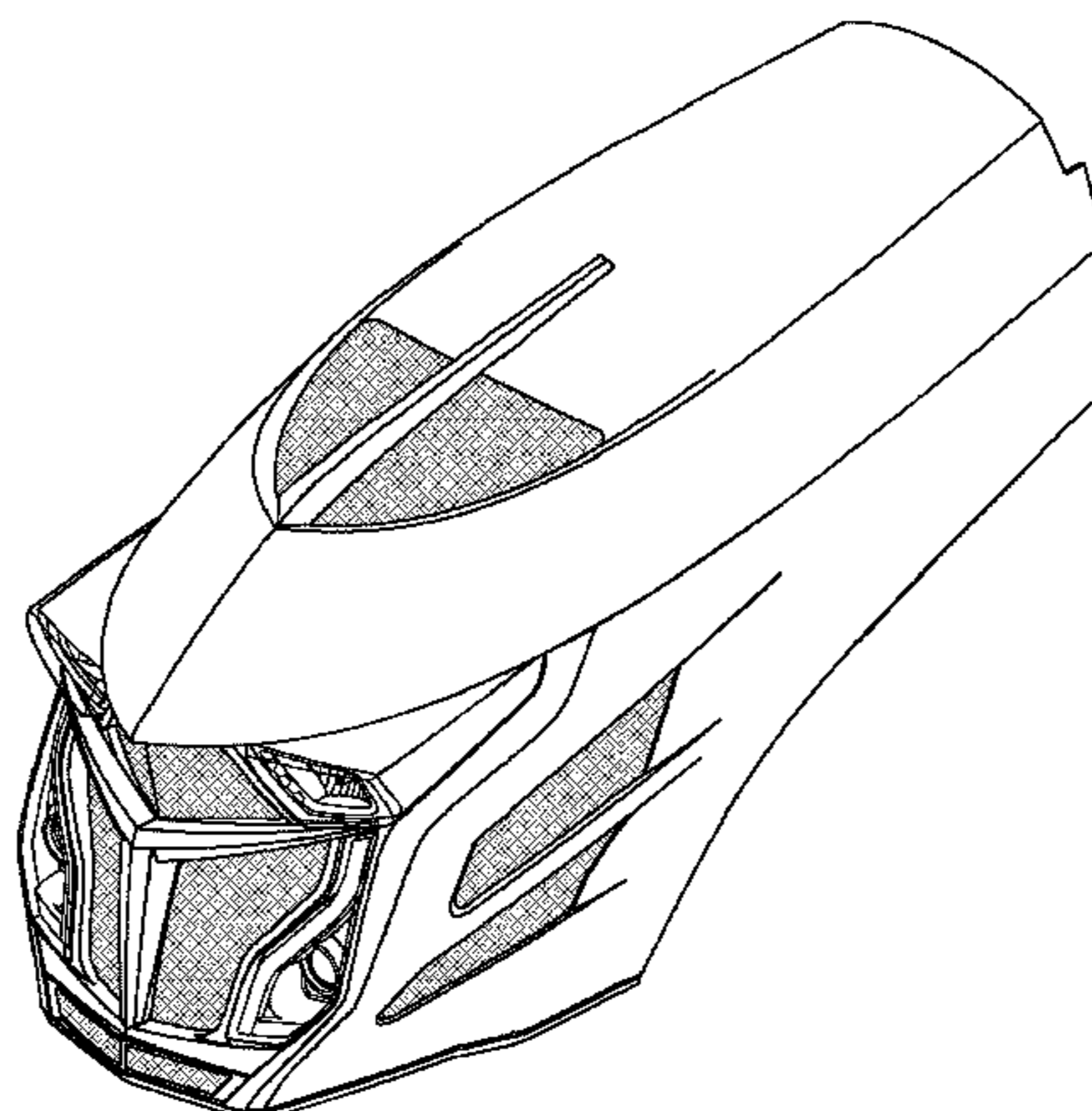
The ornamental design for a bonnet for tractor, as shown and described.

**DESCRIPTION**

FIG. 1 is a top perspective view of a bonnet for tractor showing our new design;

FIG. 2 is a front view thereof;  
FIG. 3 is a rear view thereof;  
FIG. 4 is a top plan view thereof;  
FIG. 5 is a bottom plan view thereof;  
FIG. 6 is a left side view thereof;  
FIG. 7 is a right side view thereof;  
FIG. 8 is a top perspective view of another embodiment of a bonnet for tractor showing our new design;  
FIG. 9 is a front view thereof;  
FIG. 10 is a top plan view thereof;  
FIG. 11 is a bottom plan view thereof;  
FIG. 12 is a left side view thereof;  
FIG. 13 is a right side view thereof;  
FIG. 14 is a reference view of the bonnet for tractor showing our new design in an environment in which it may be used. All of the disclosed embodiments can be used in this same environment;  
FIG. 15 is a top perspective view of another embodiment of a bonnet for tractor showing our new design;  
FIG. 16 is a front view thereof;  
FIG. 17 is a rear view thereof;  
FIG. 18 is a top plan view thereof;  
FIG. 19 is a bottom plan view thereof;  
FIG. 20 is a left side view thereof;  
FIG. 21 is a right side view thereof;  
FIG. 22 is a top perspective view of another embodiment of a bonnet for tractor showing our new design;  
FIG. 23 is a front view thereof;  
FIG. 24 is a top plan view thereof;  
FIG. 25 is a bottom plan view thereof;  
FIG. 26 is a left side view thereof;  
FIG. 27 is a right side view thereof; and,  
FIG. 28 is a reference view of the bonnet for tractor showing our new design in an environment in which it may be used. All of the disclosed embodiments can be used in this same environment.  
The broken lines in the figures show environment, and form no part of the claimed design.  
The gray shading in the Figures shows transparency and not surface ornamentation.

**1 Claim, 28 Drawing Sheets**



(56)

**References Cited**

U.S. PATENT DOCUMENTS

D591,777 S \* 5/2009 Kokitkar et al. .... D15/31  
D596,205 S \* 7/2009 Kawashiri et al. .... D15/31  
D620,955 S \* 8/2010 Krogh et al. .... D15/31  
D624,944 S \* 10/2010 Major ..... D15/31  
D631,489 S \* 1/2011 Booth et al. .... D15/31  
D632,312 S \* 2/2011 Booth et al. .... D15/31

D642,598 S \* 8/2011 Wikner et al. .... D15/31  
D655,318 S \* 3/2012 Hagele et al. .... D15/31  
D668,695 S \* 10/2012 Ringer ..... D15/31  
D675,233 S \* 1/2013 Kushita et al. .... D15/31  
D680,562 S \* 4/2013 Park ..... D15/31  
D721,105 S \* 1/2015 Okuyama et al. .... D15/31  
D729,282 S \* 5/2015 Sasaki ..... D15/31  
D733,767 S \* 7/2015 Kushita et al. .... D15/31

\* cited by examiner

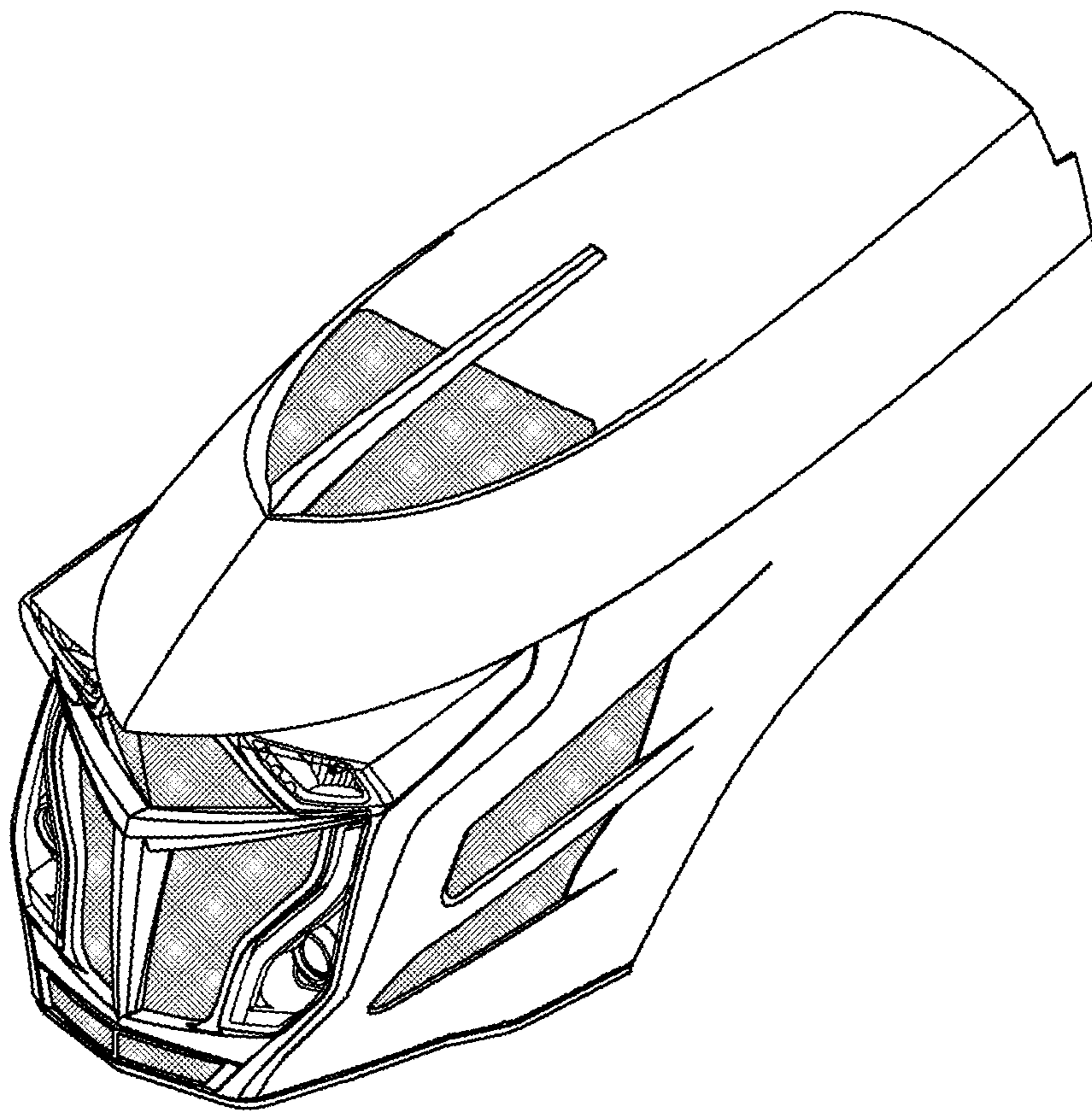
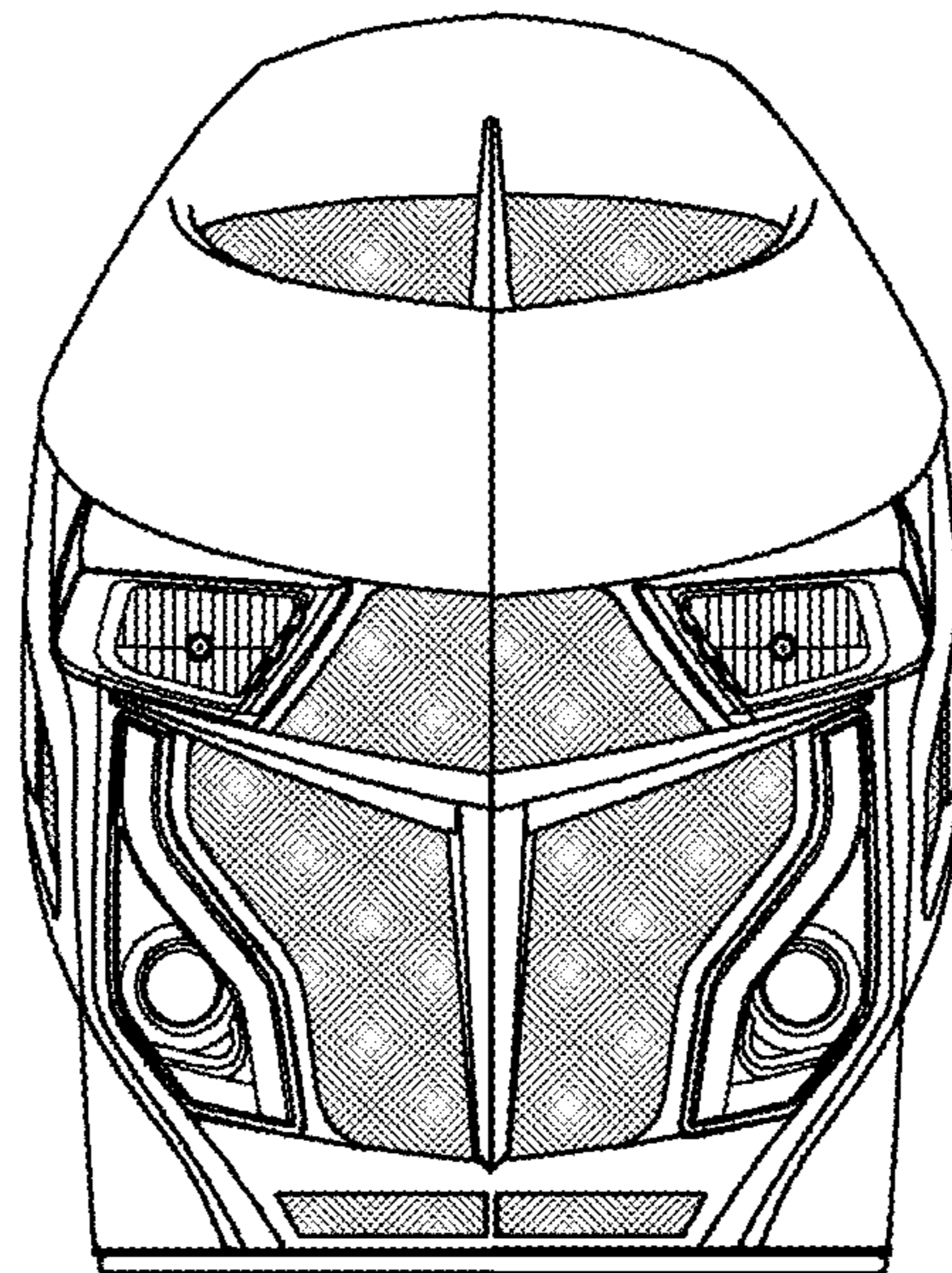
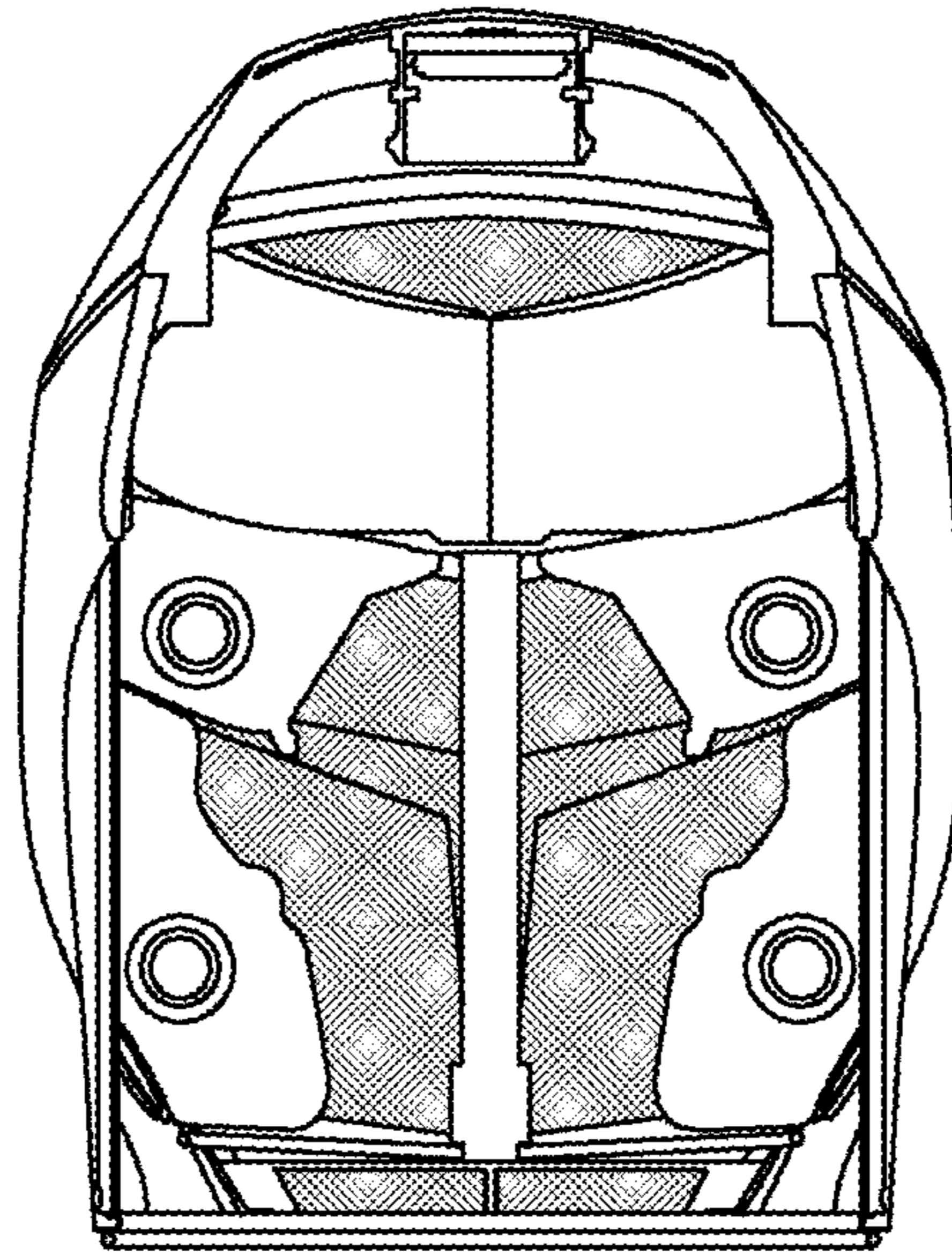


FIG. 1



**FIG. 2**





**FIG. 3**

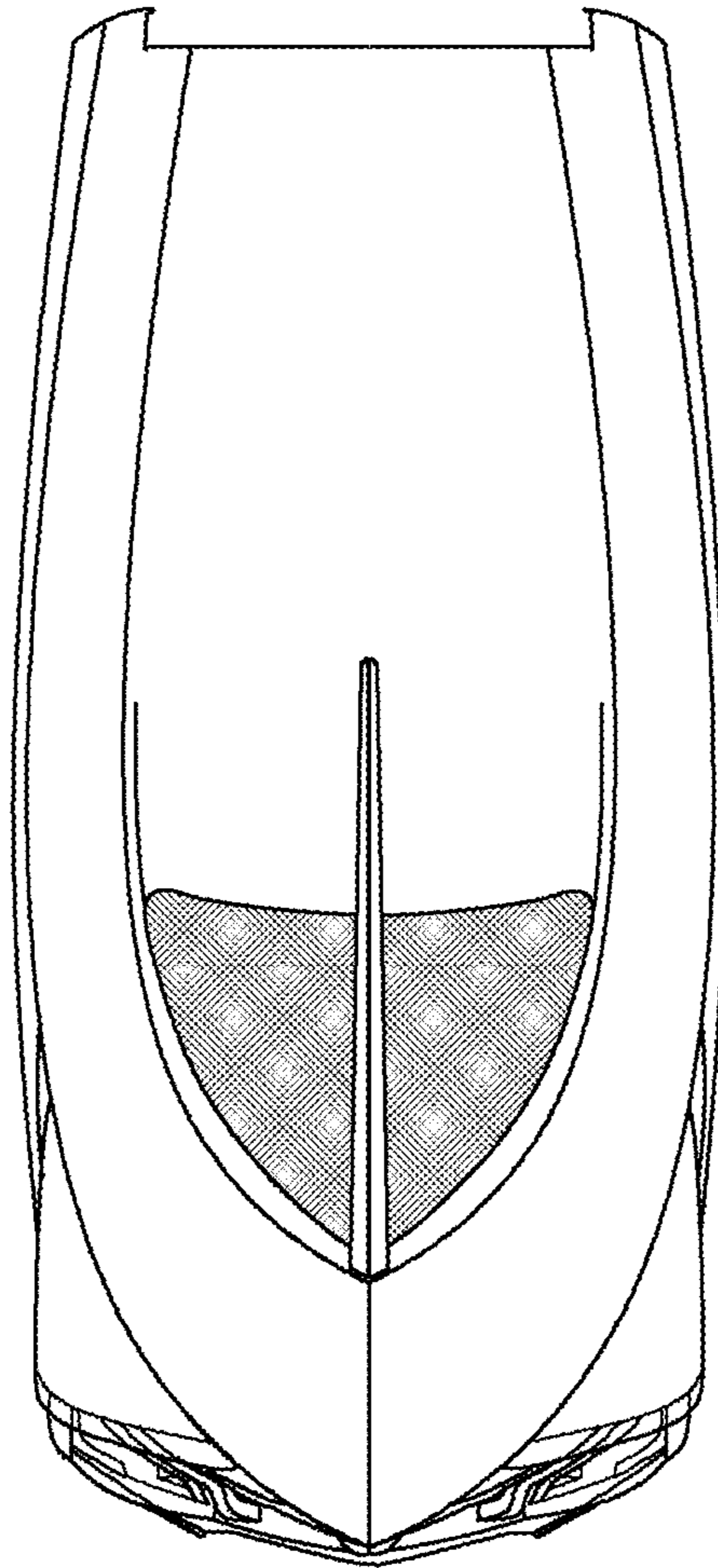


FIG. 4

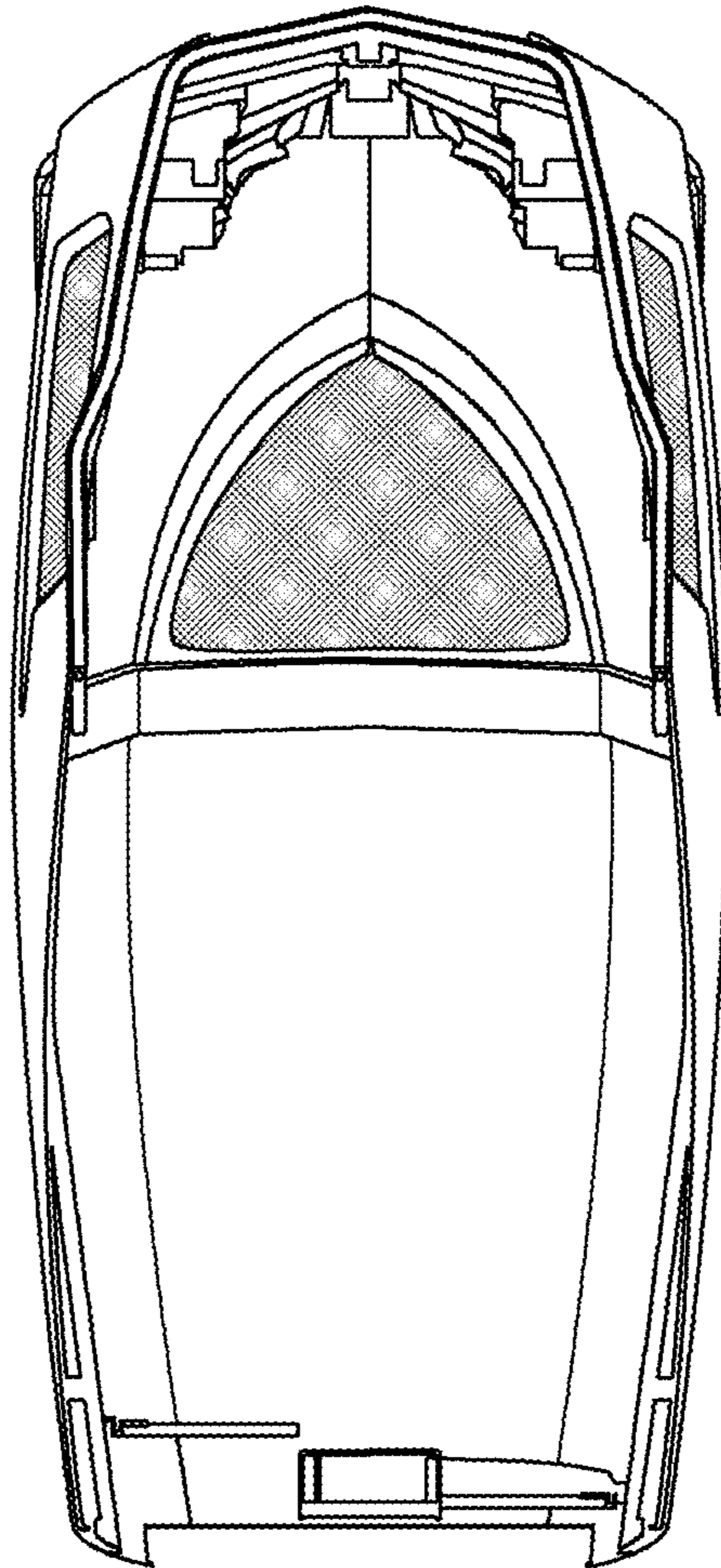


FIG. 5

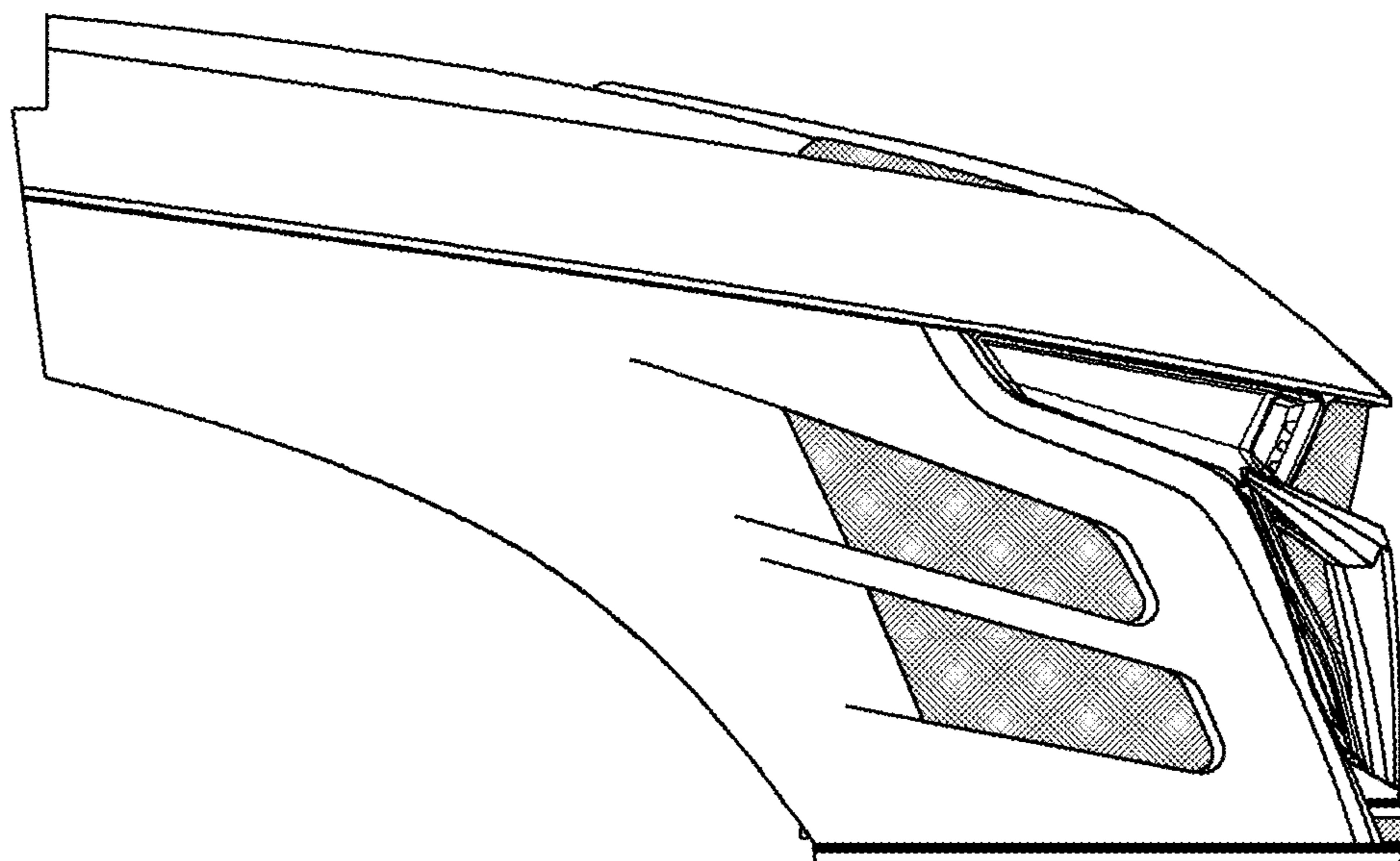


FIG. 6



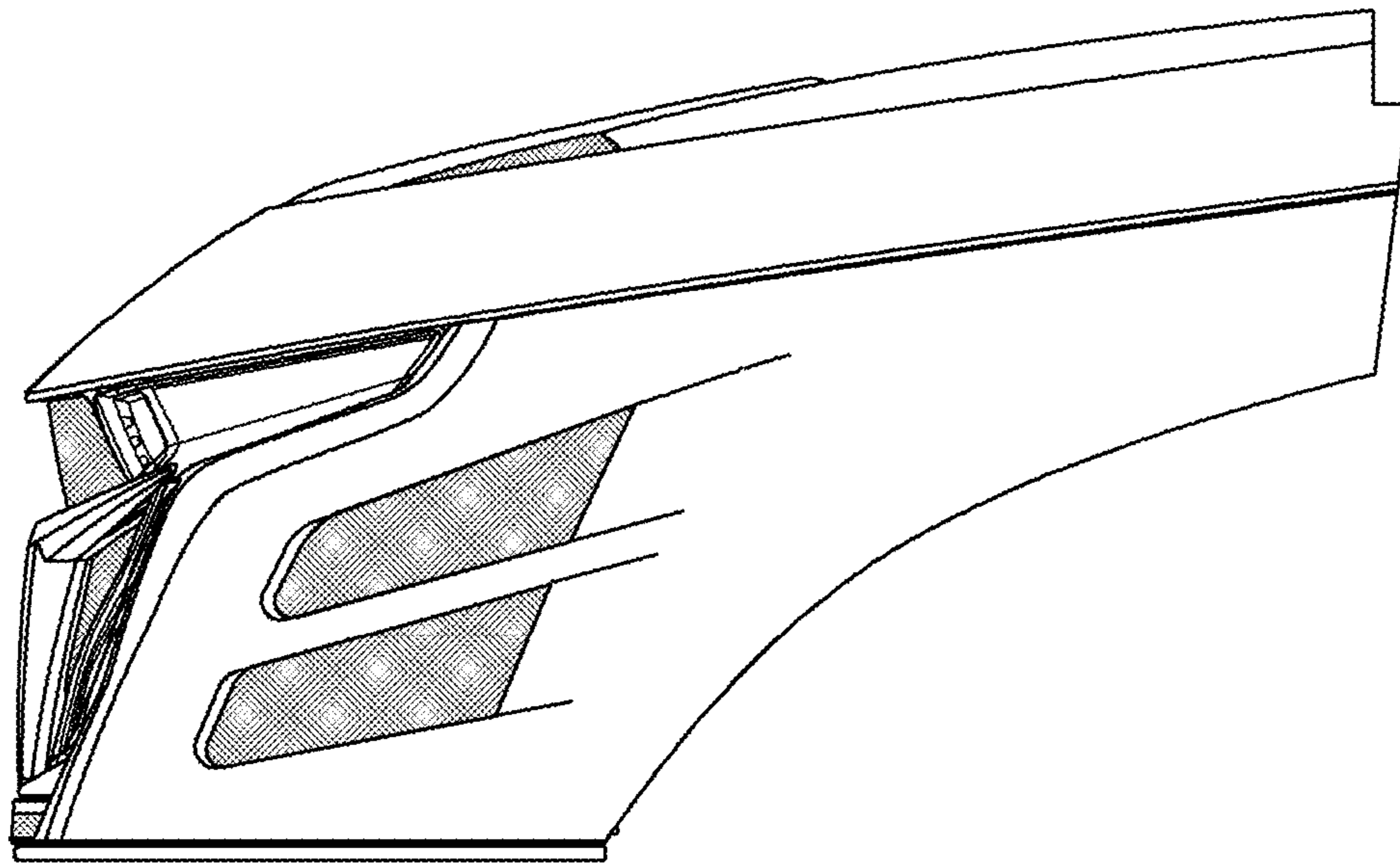


FIG. 7

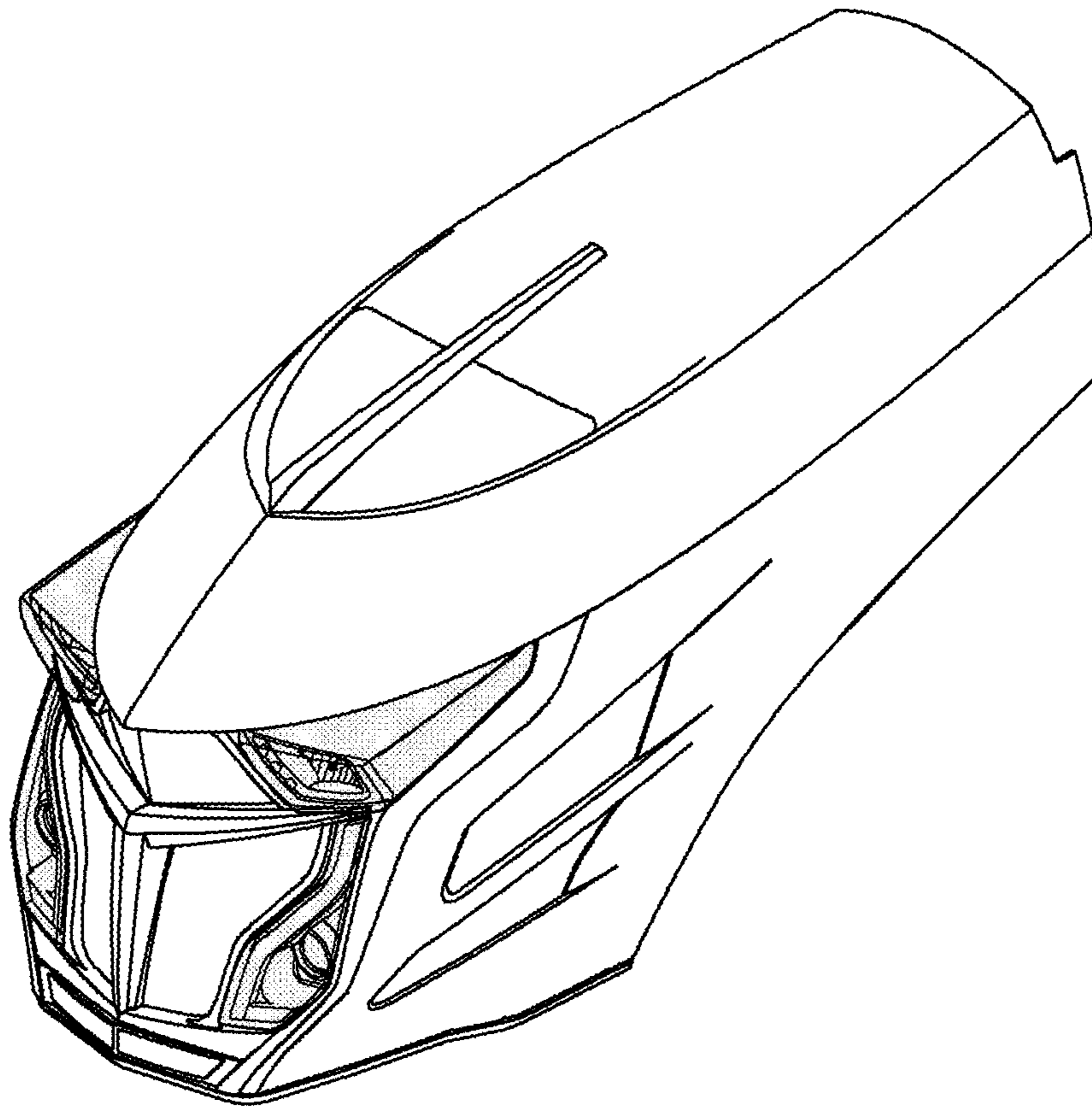
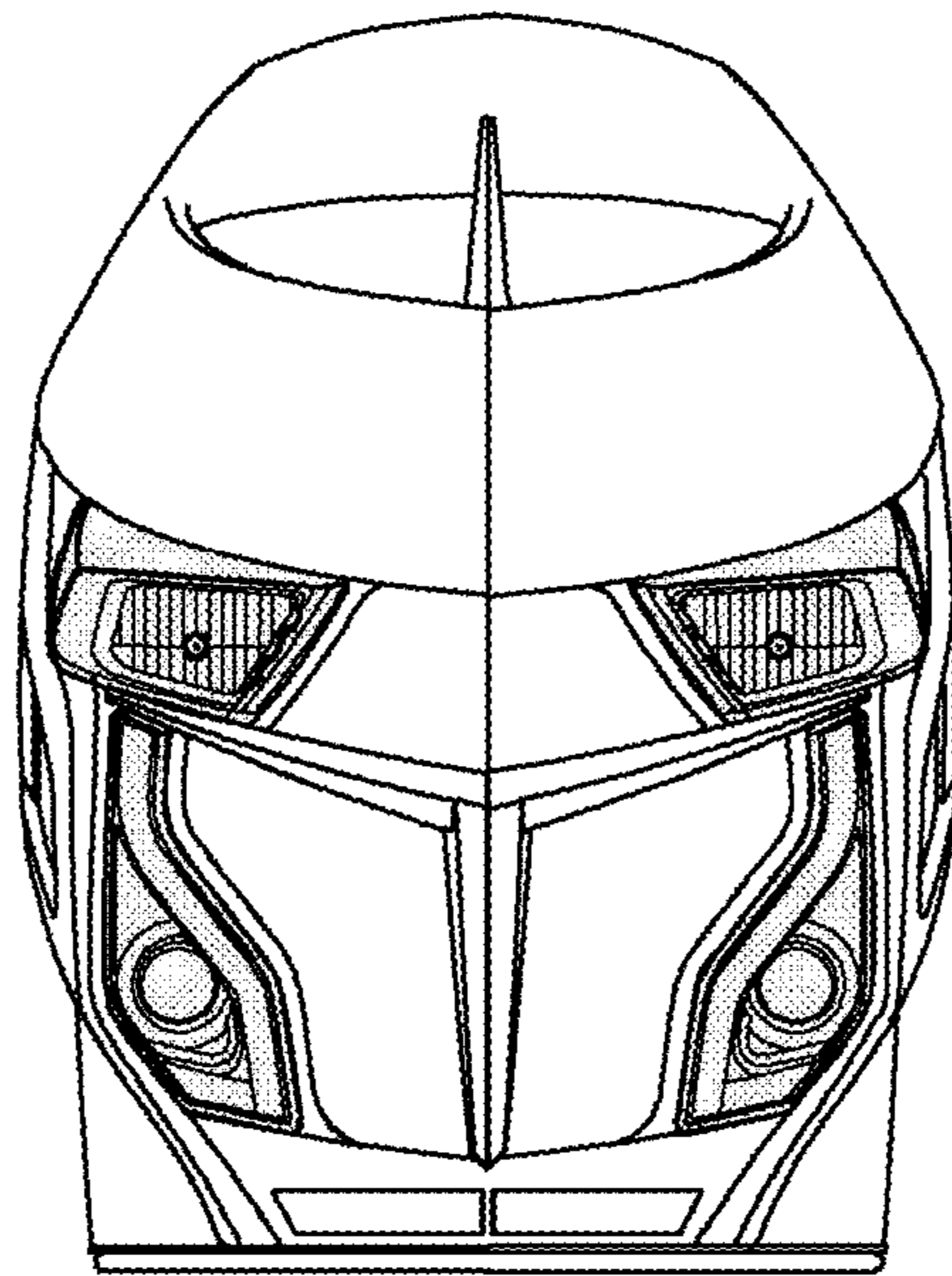
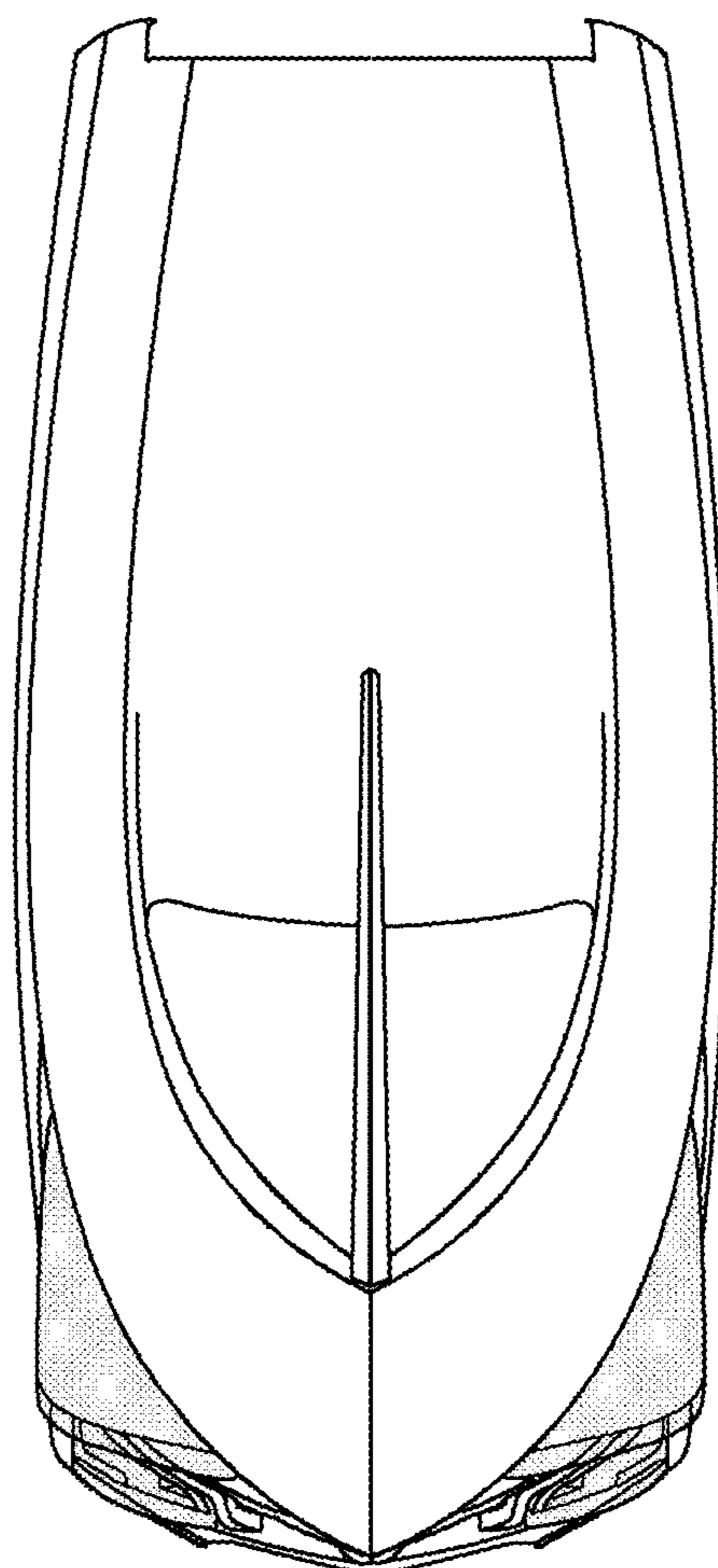


FIG. 8



**FIG. 9**



**FIG. 10**



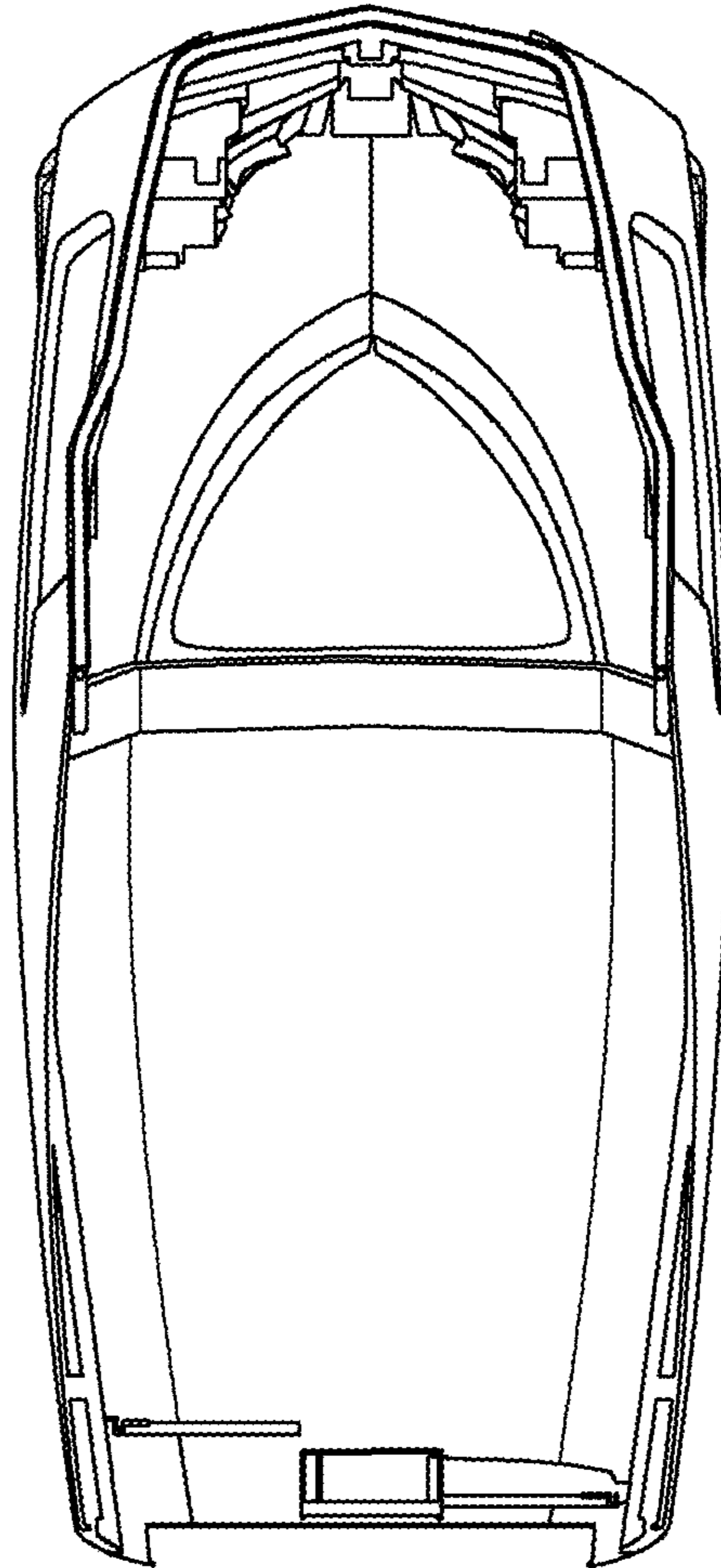


FIG. 11

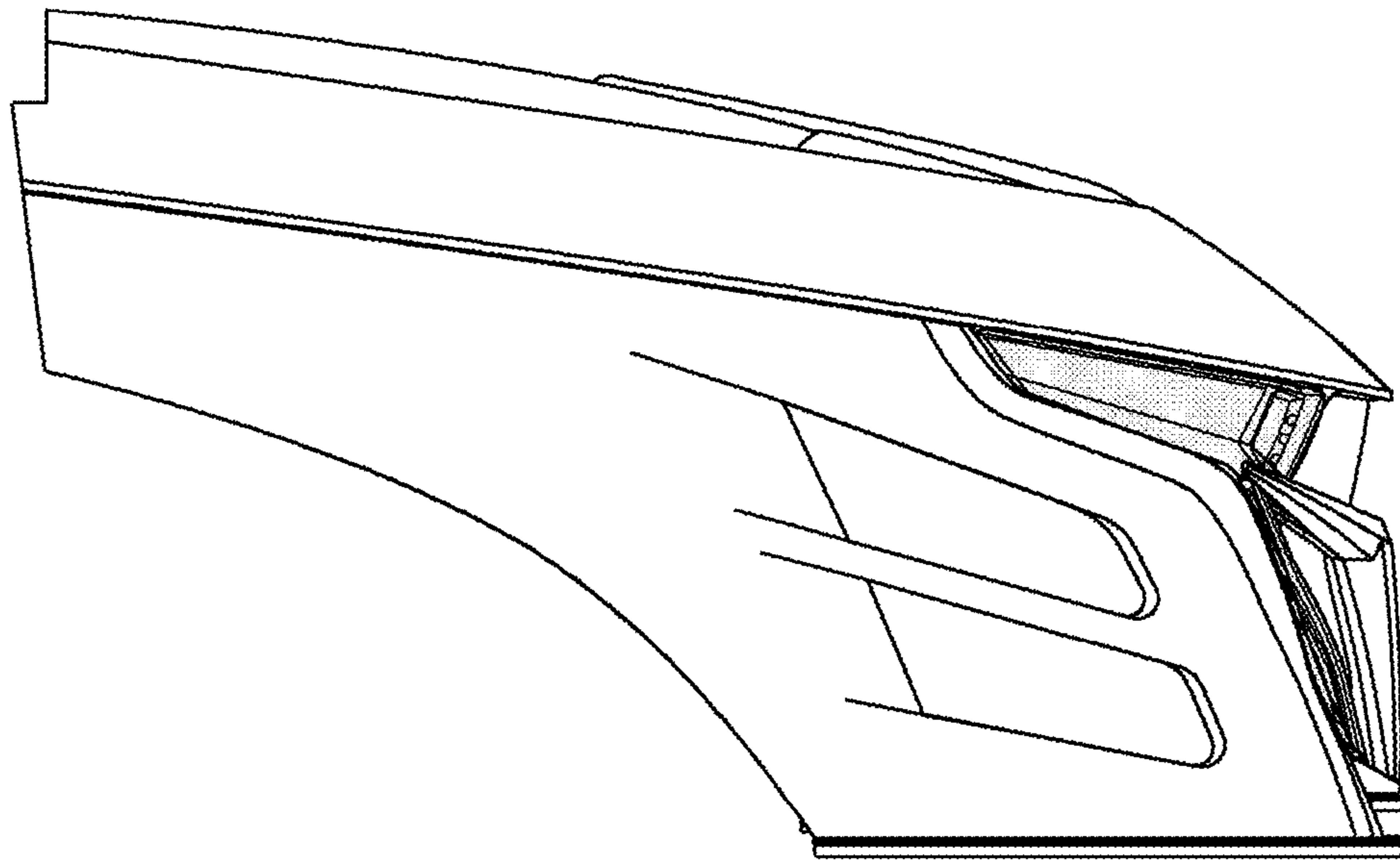


FIG. 12

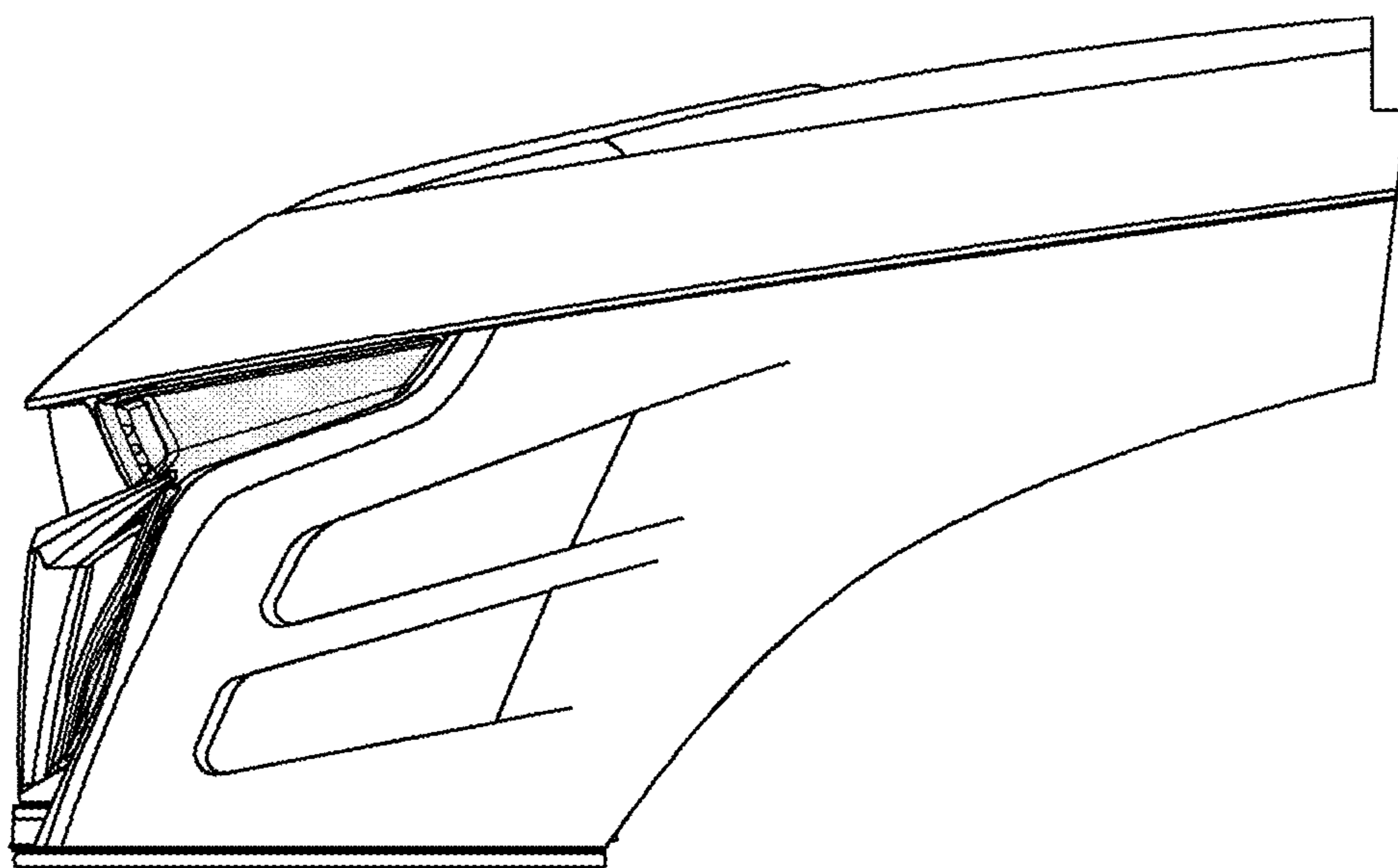


FIG. 13

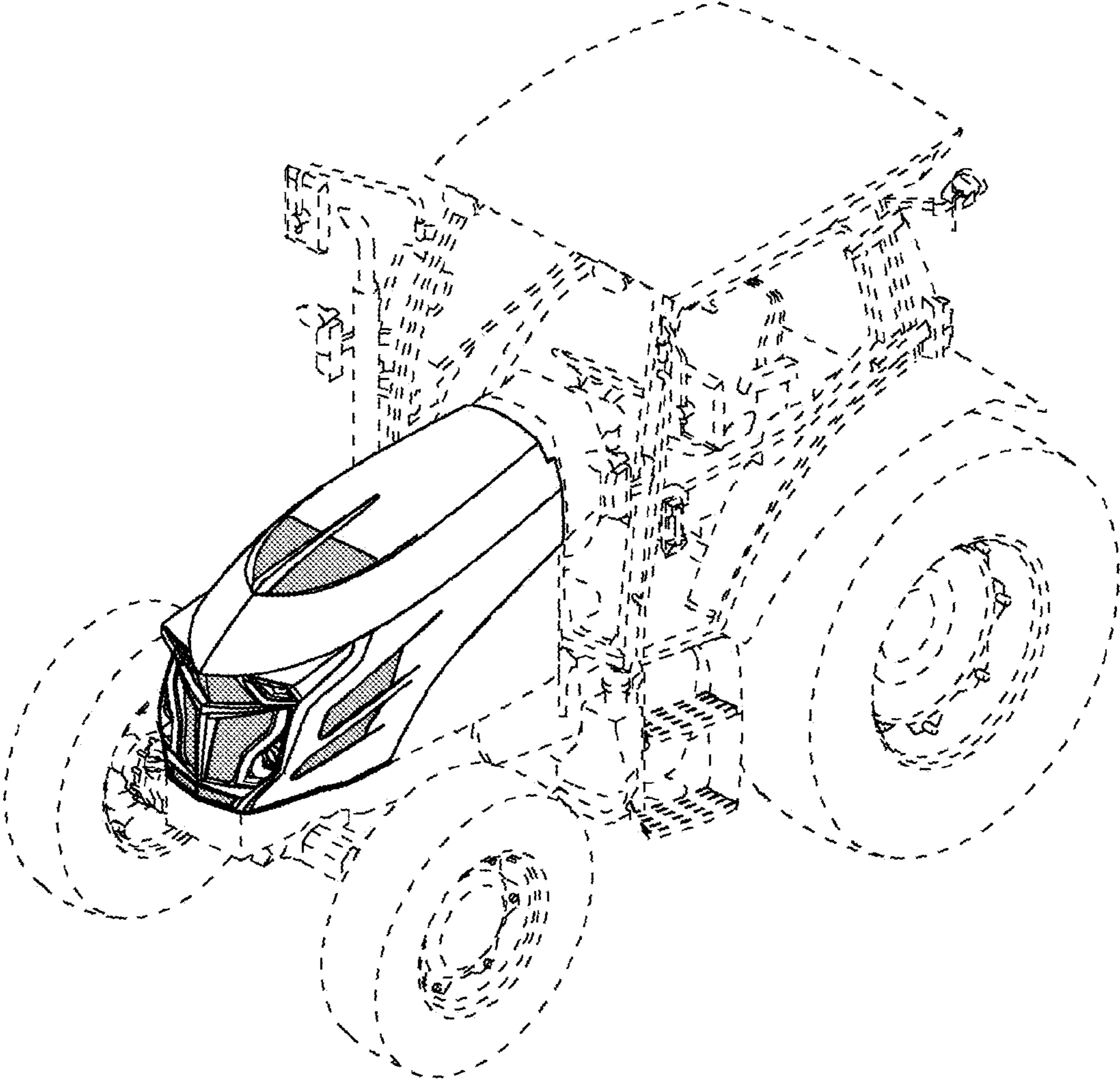


FIG. 14



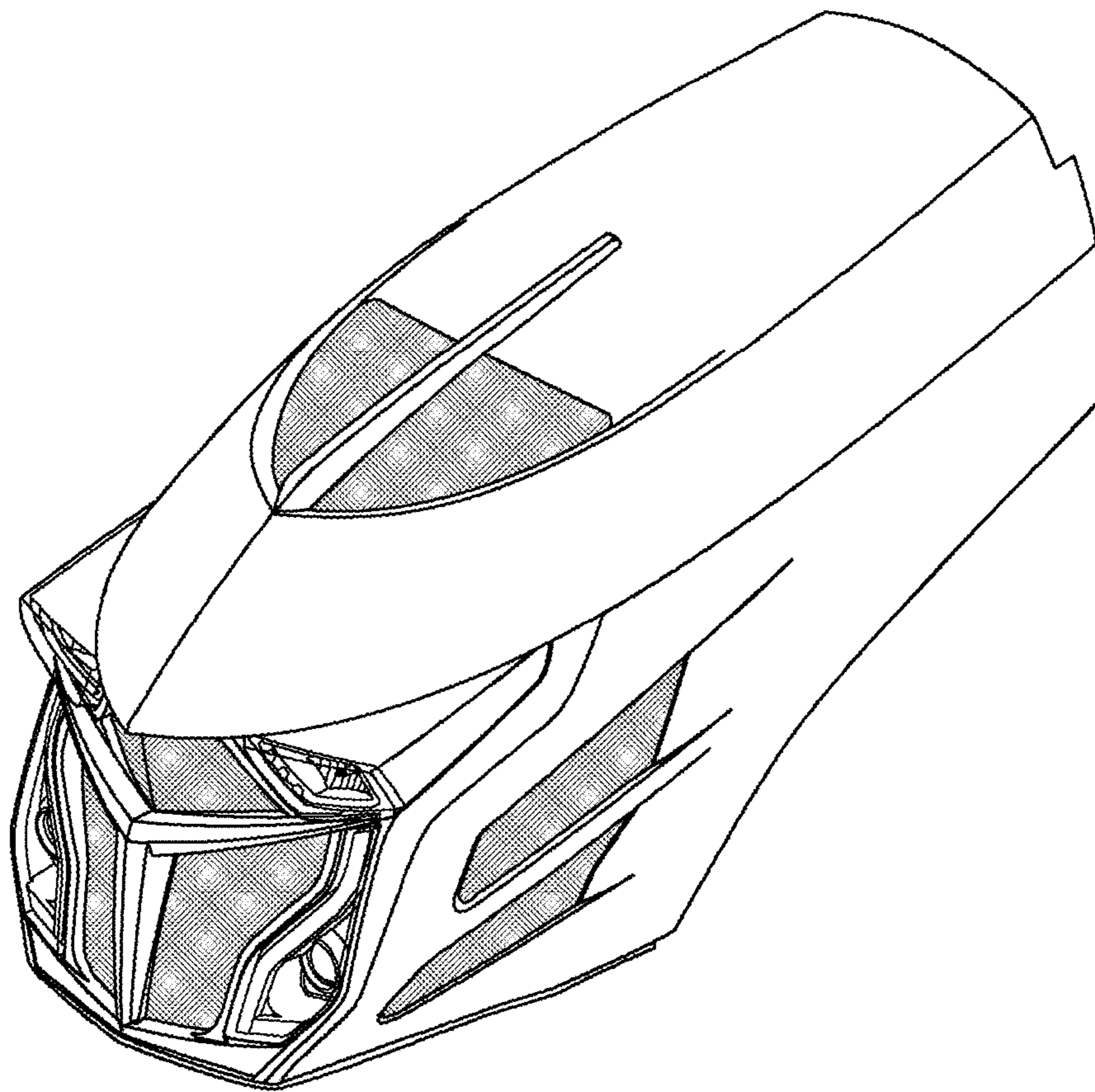


FIG. 15

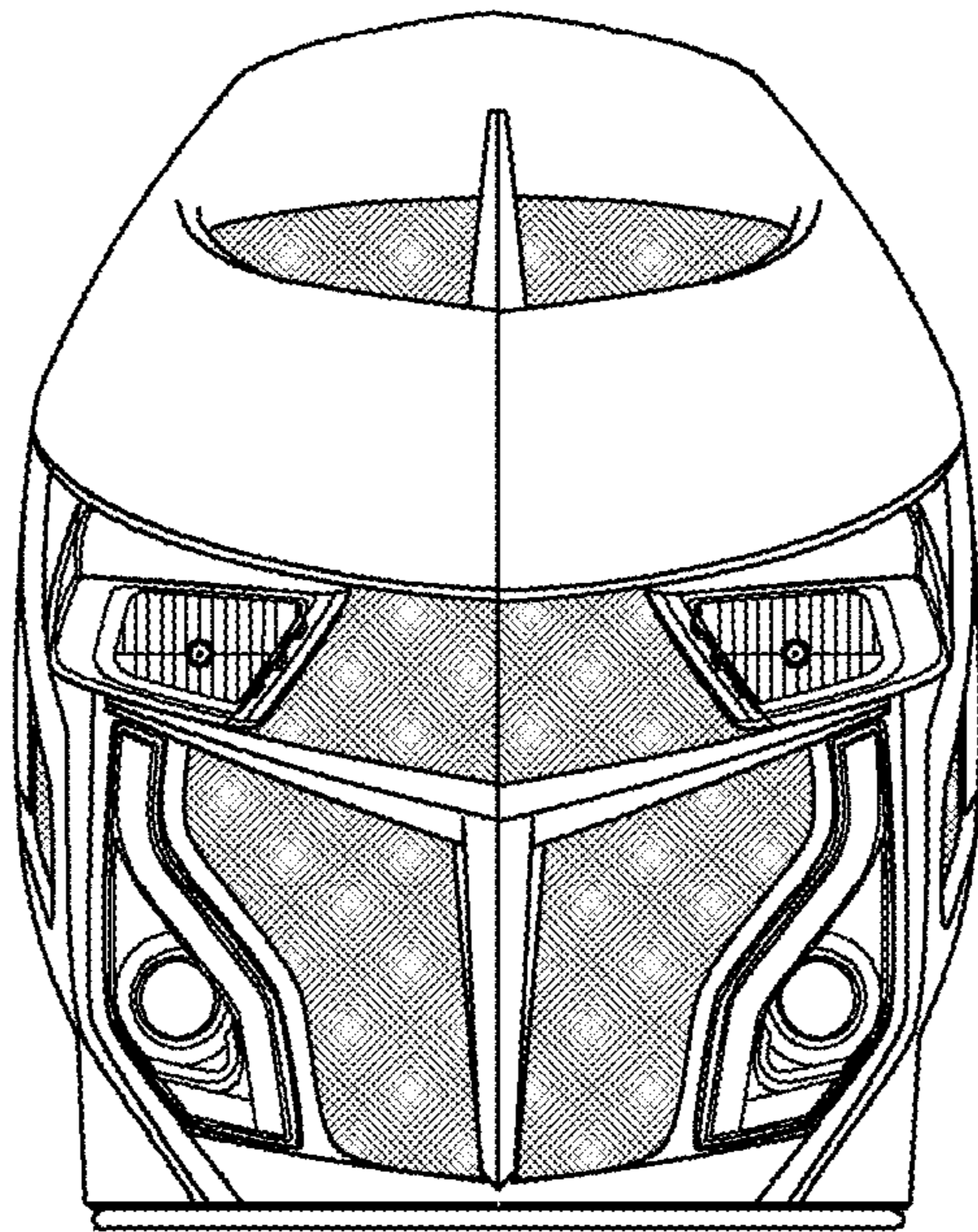
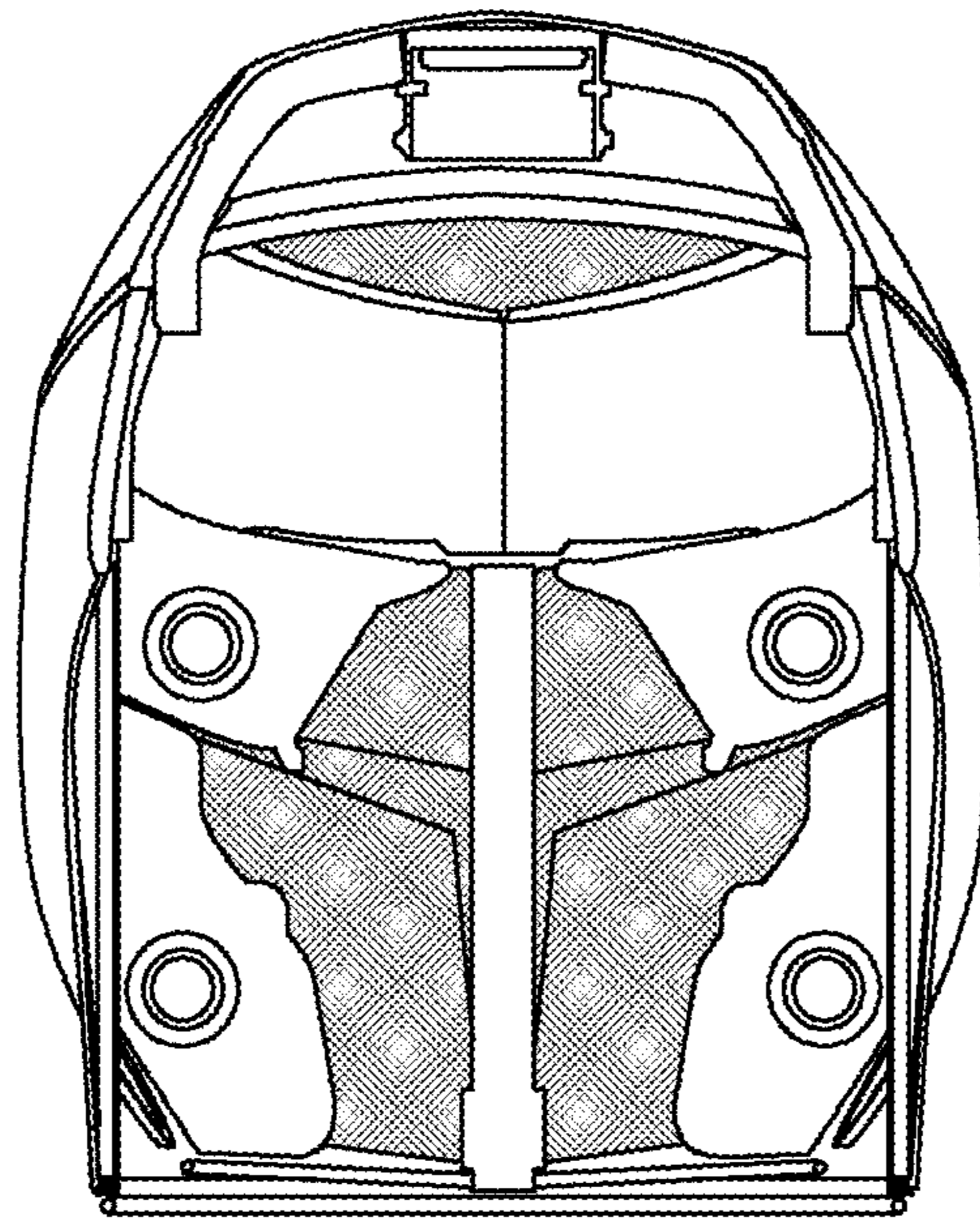


FIG. 16



**FIG. 17**

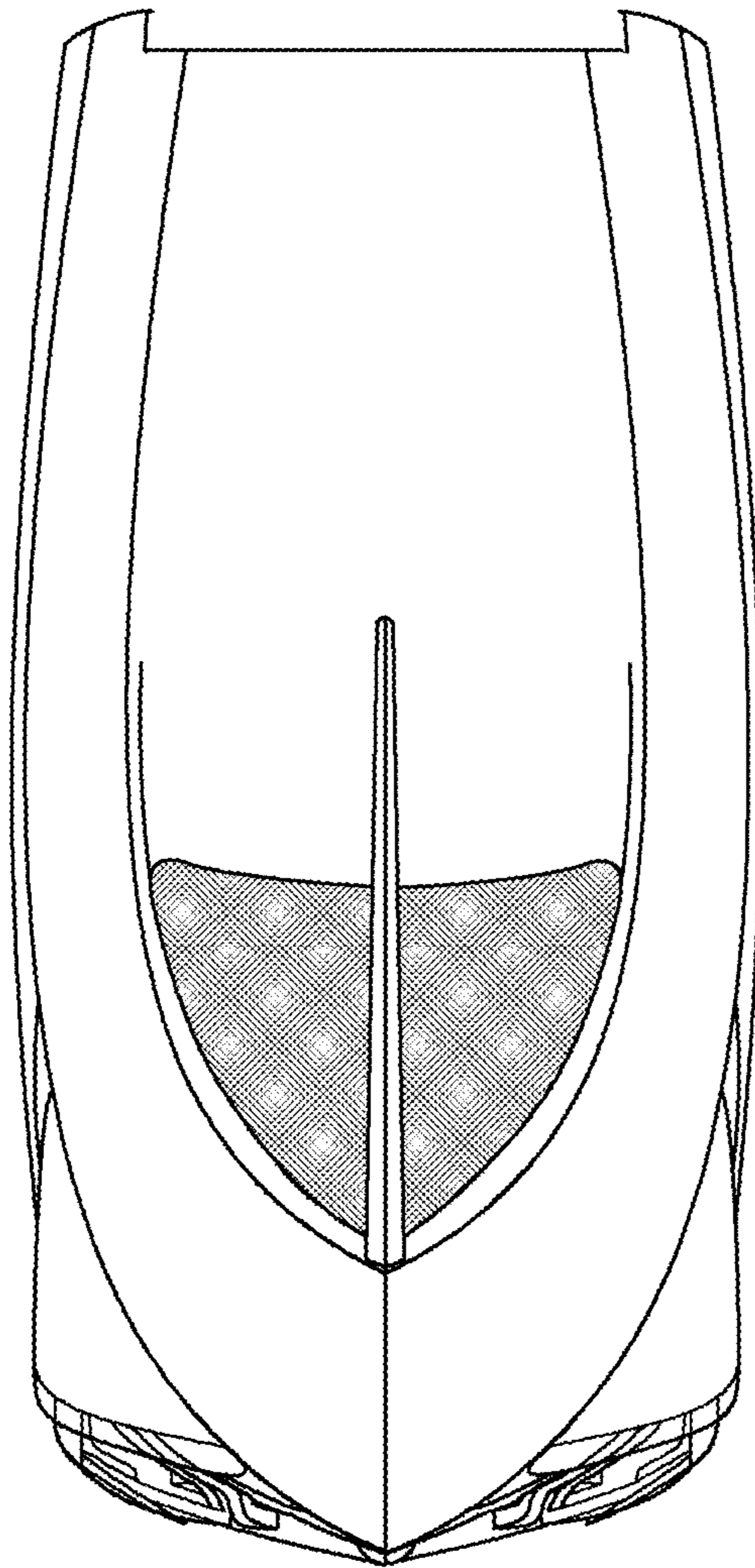


FIG. 18



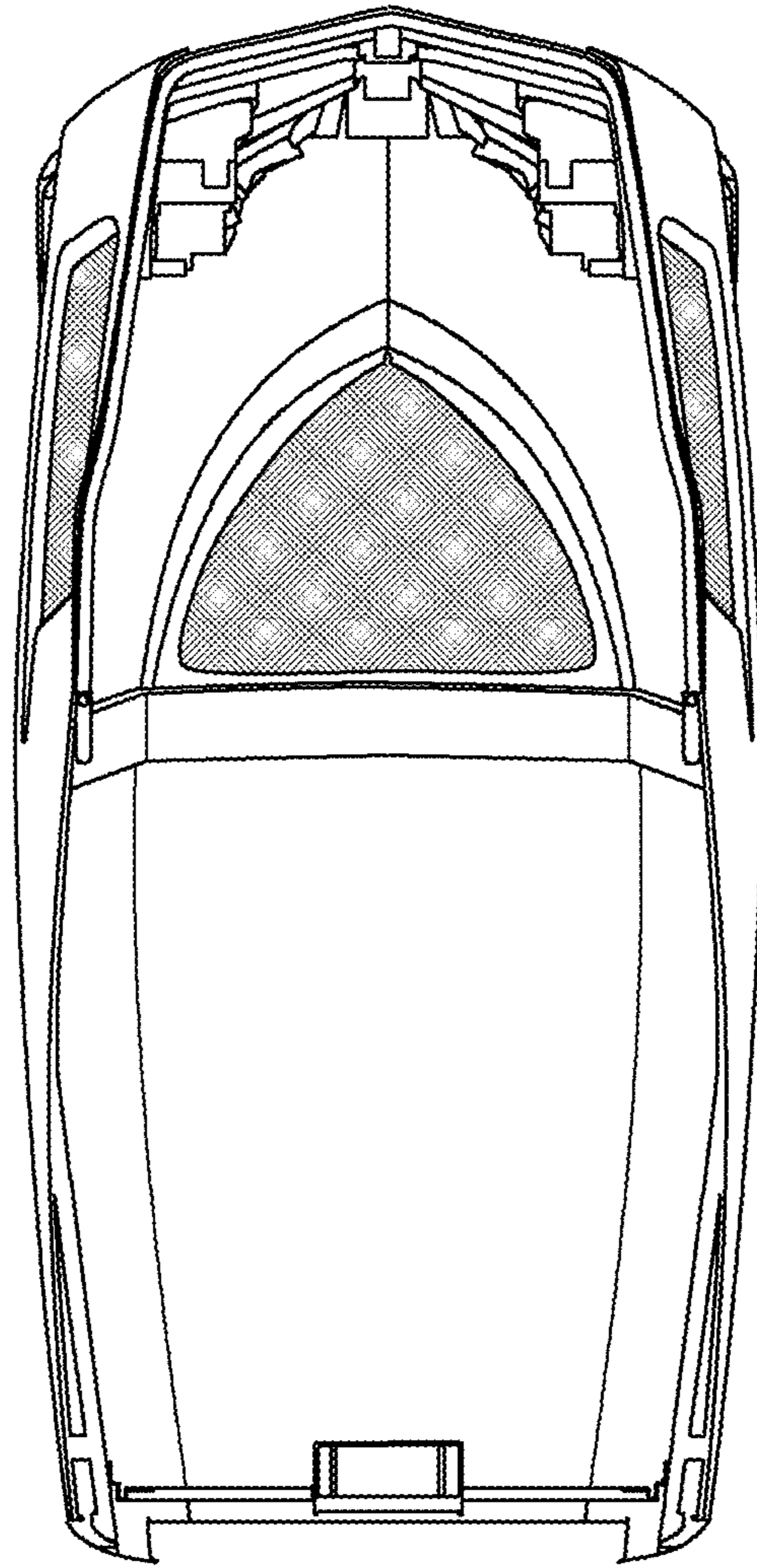
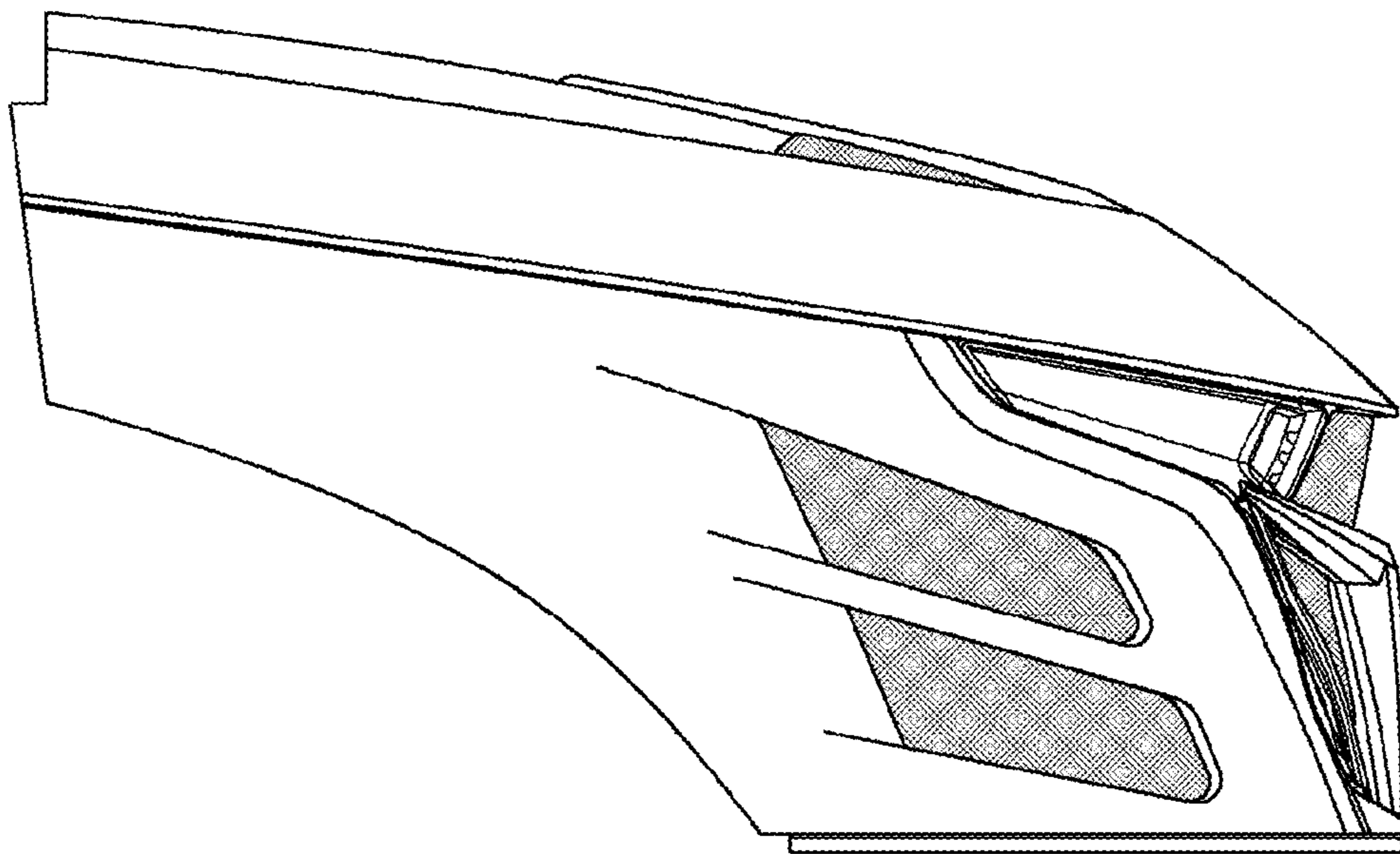


FIG. 19



**FIG. 20**

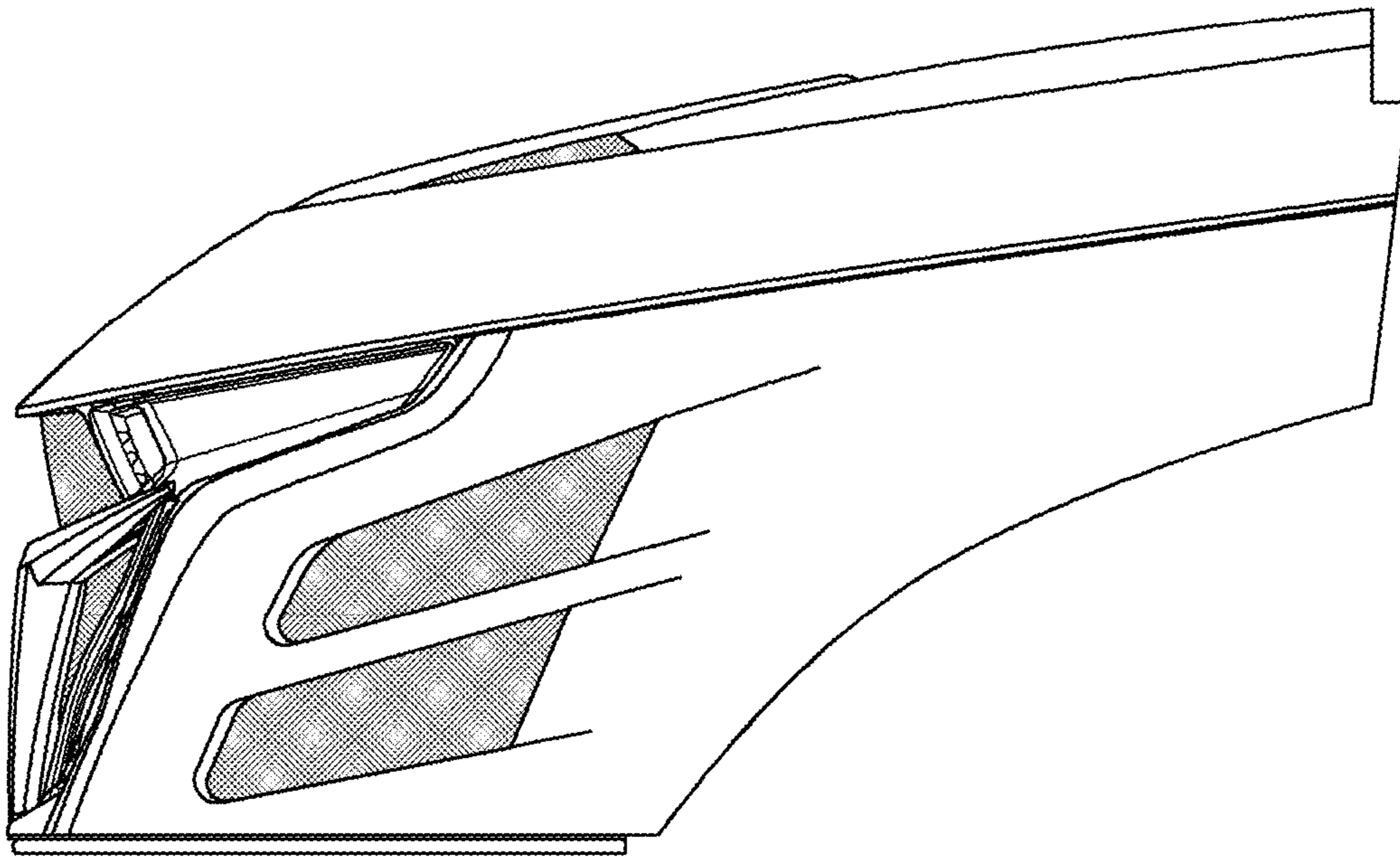


FIG. 21

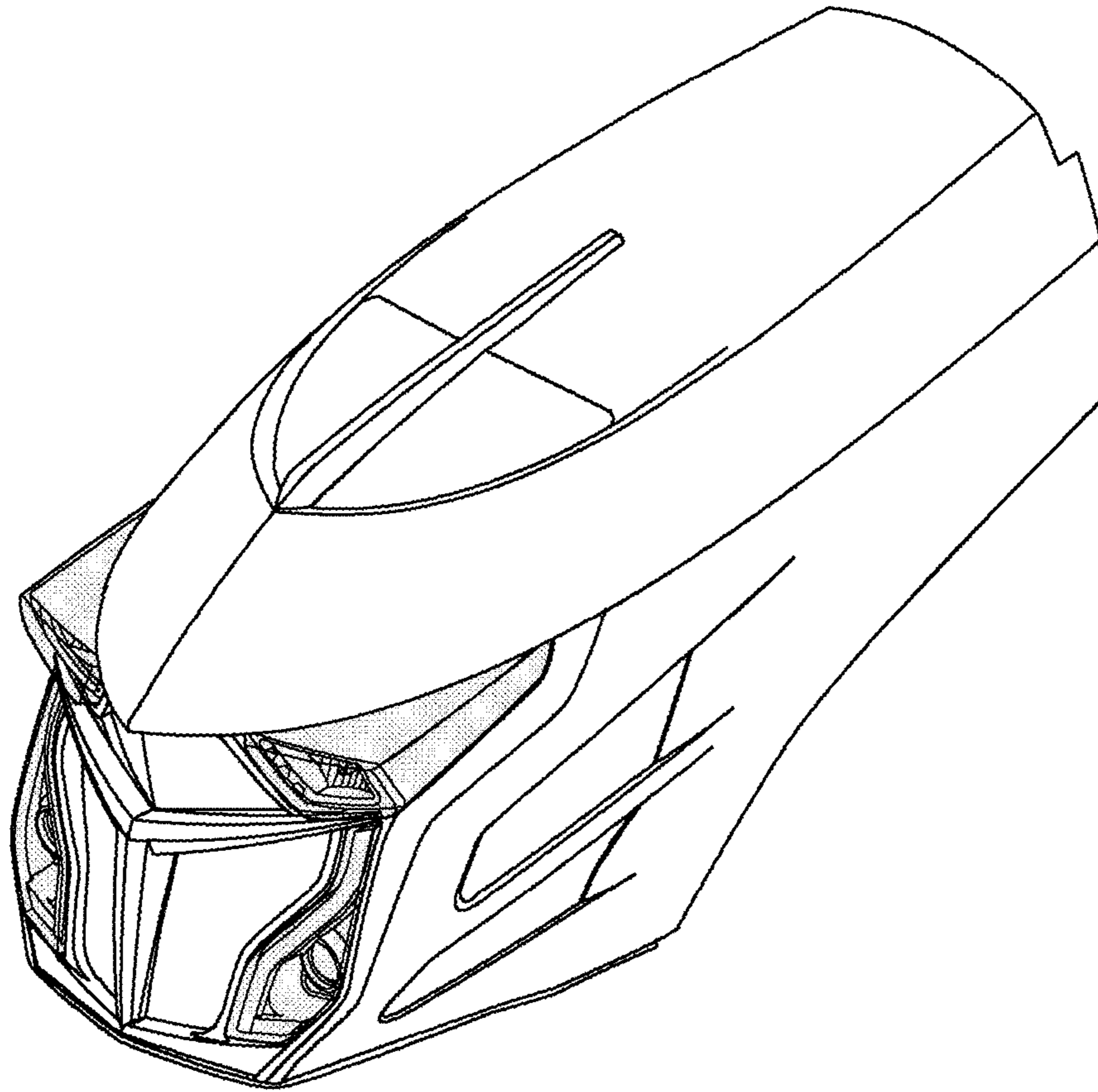


FIG. 22

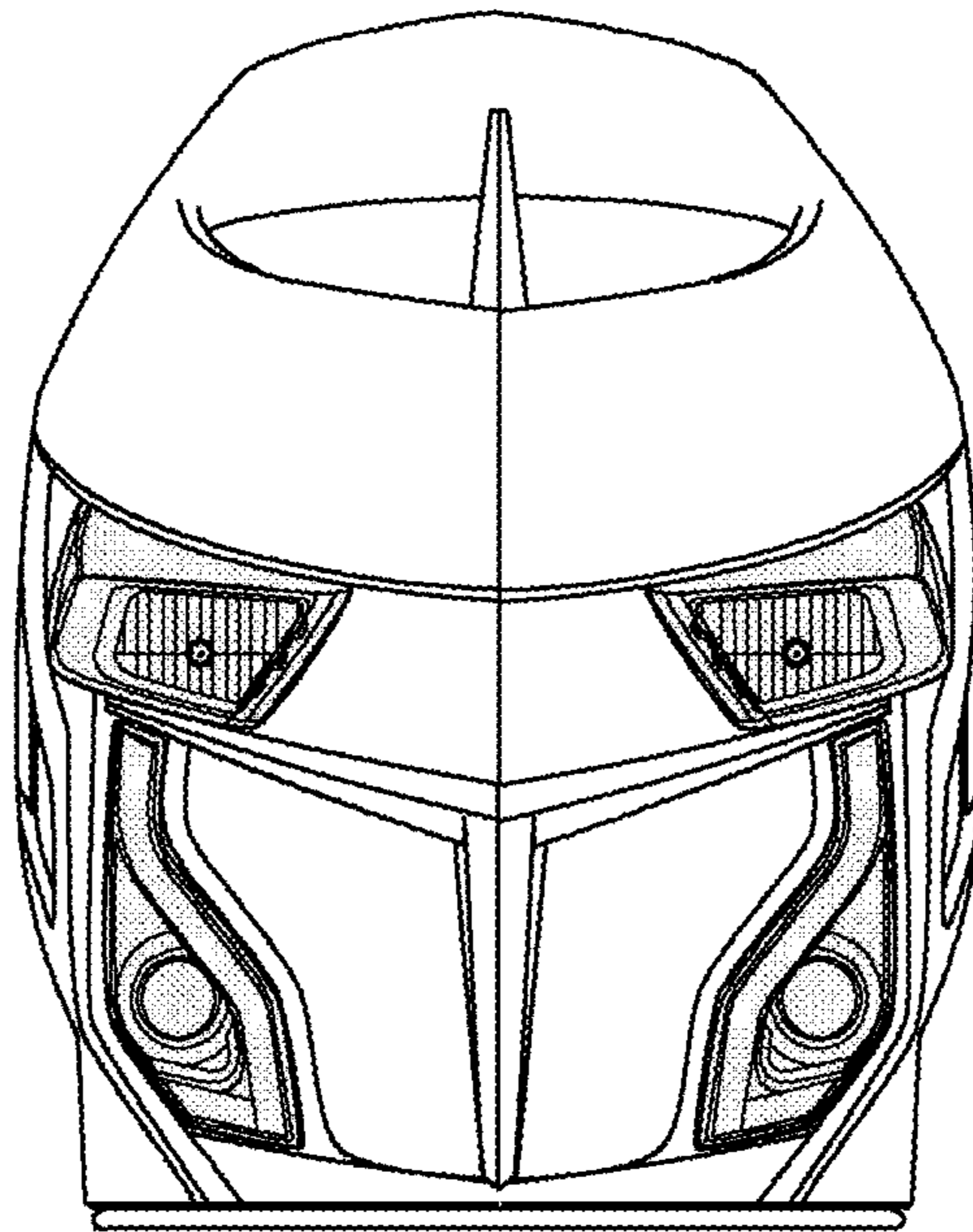


FIG. 23



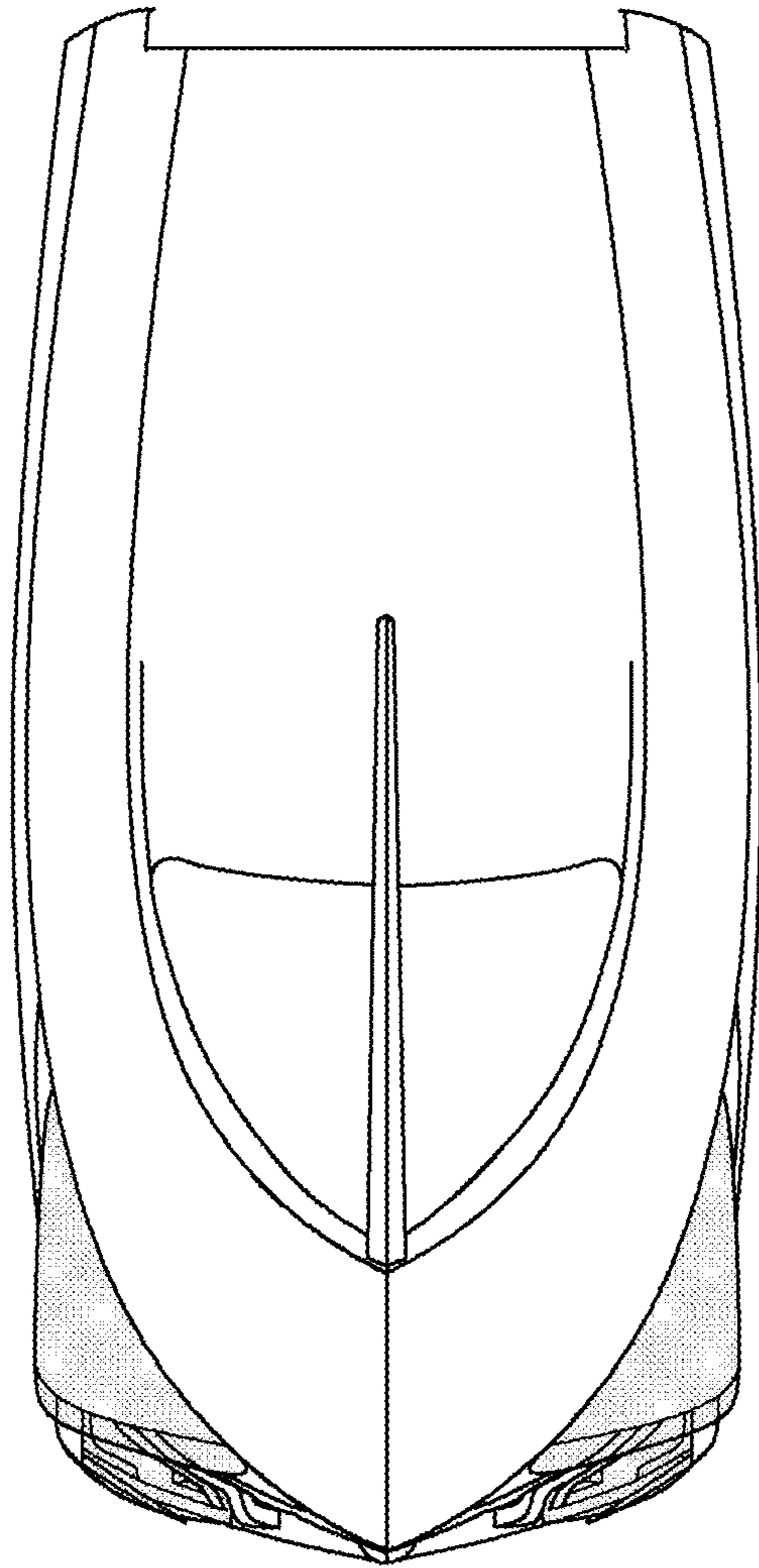


FIG. 24

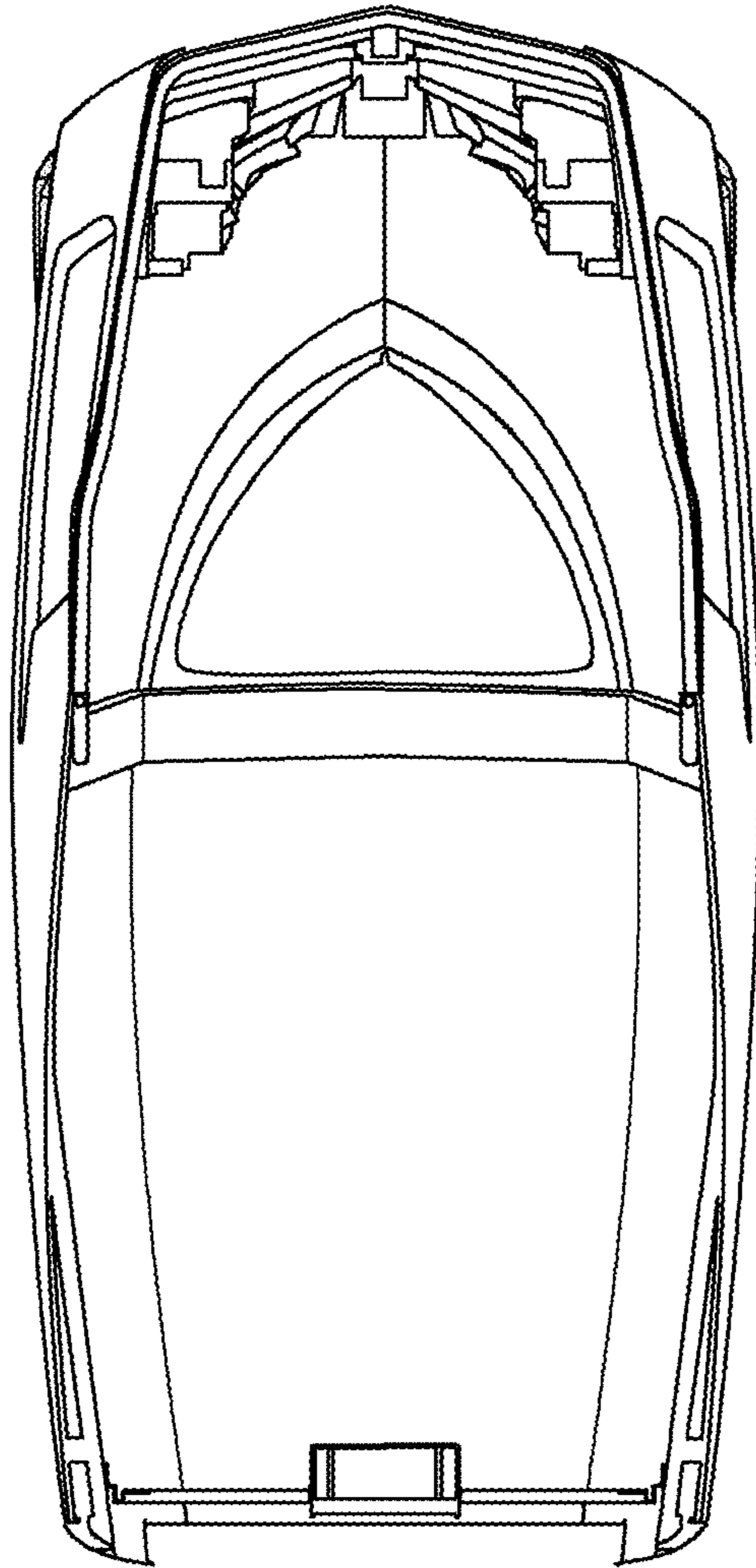


FIG. 25

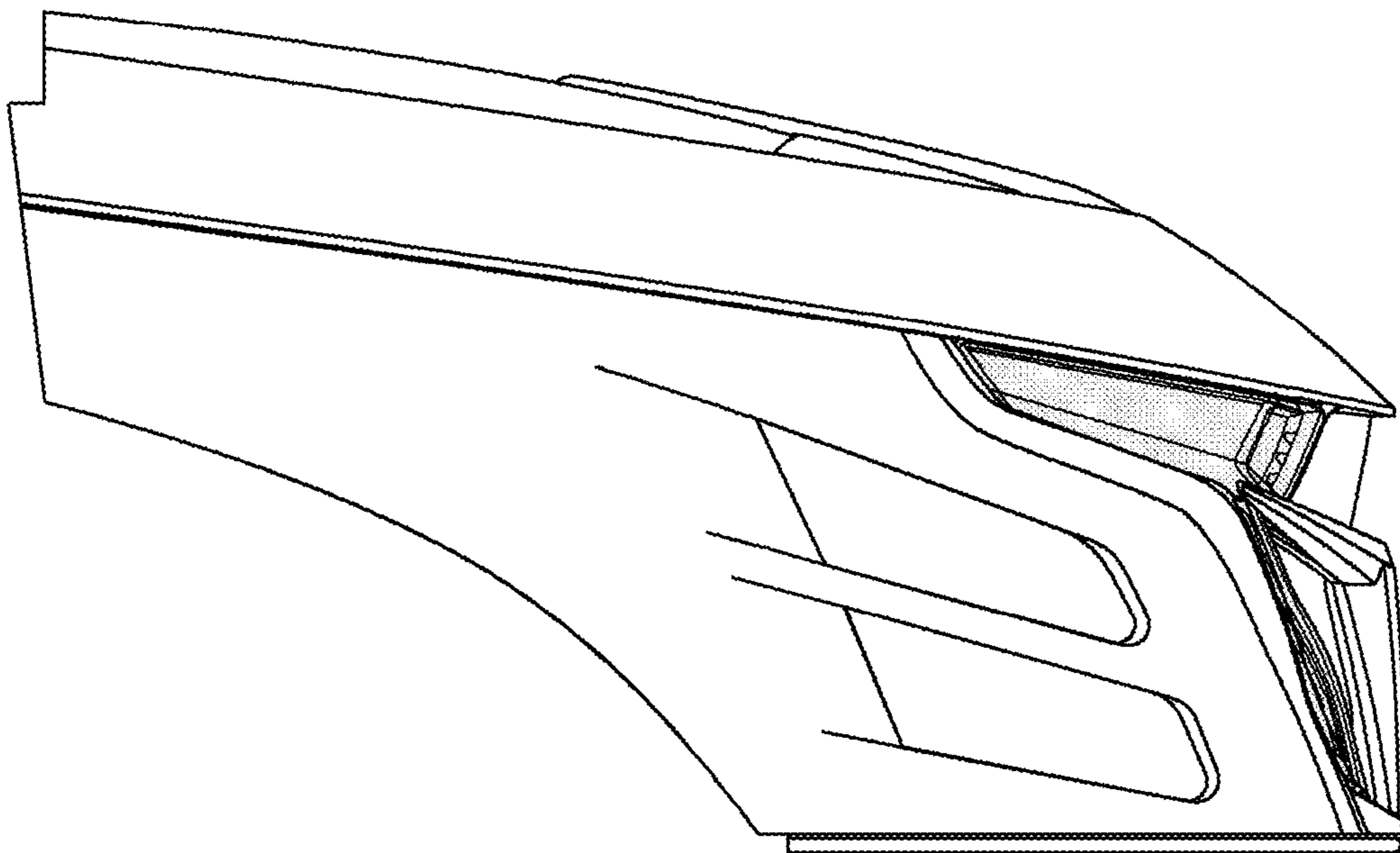
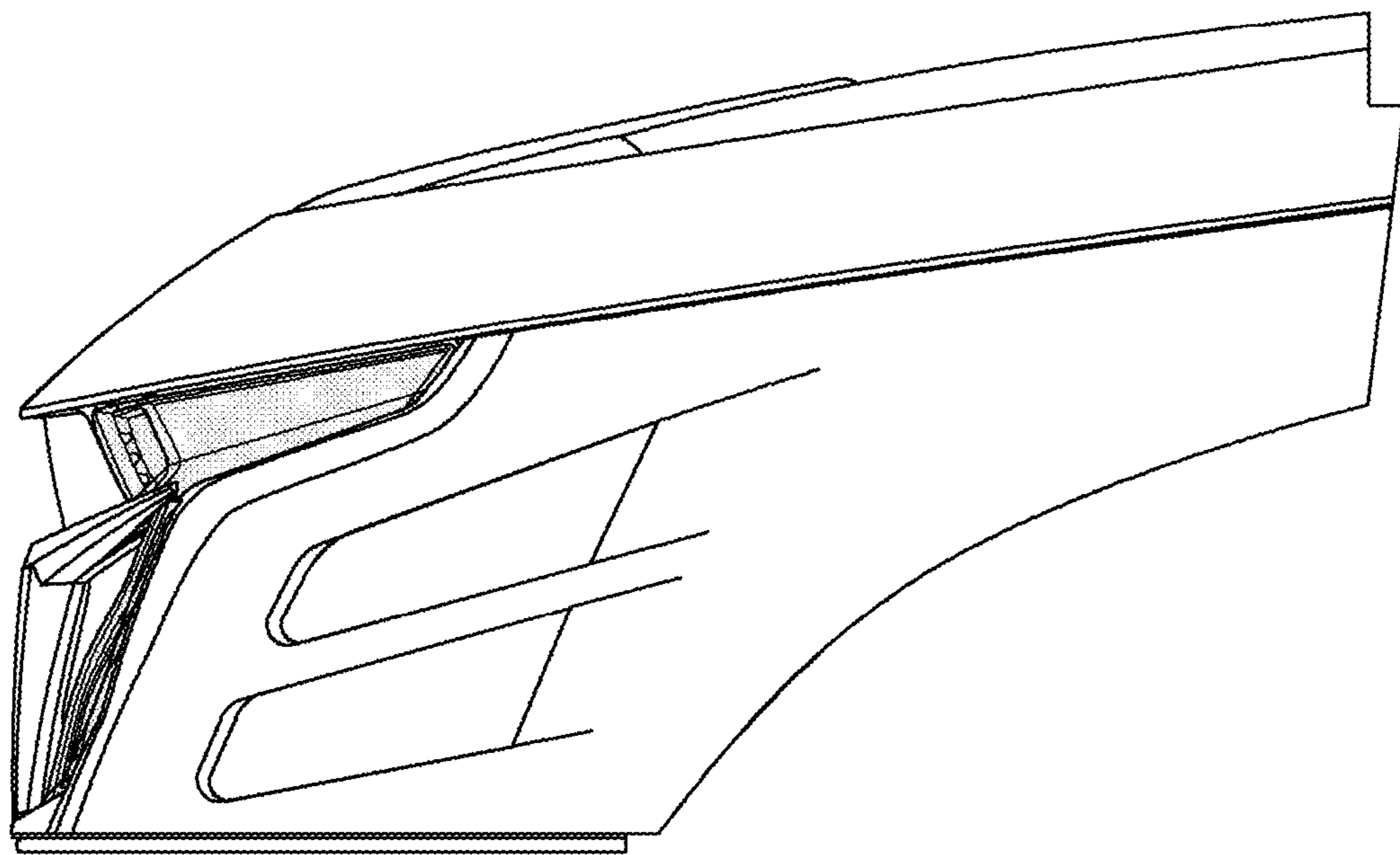


FIG. 26



**FIG. 27**

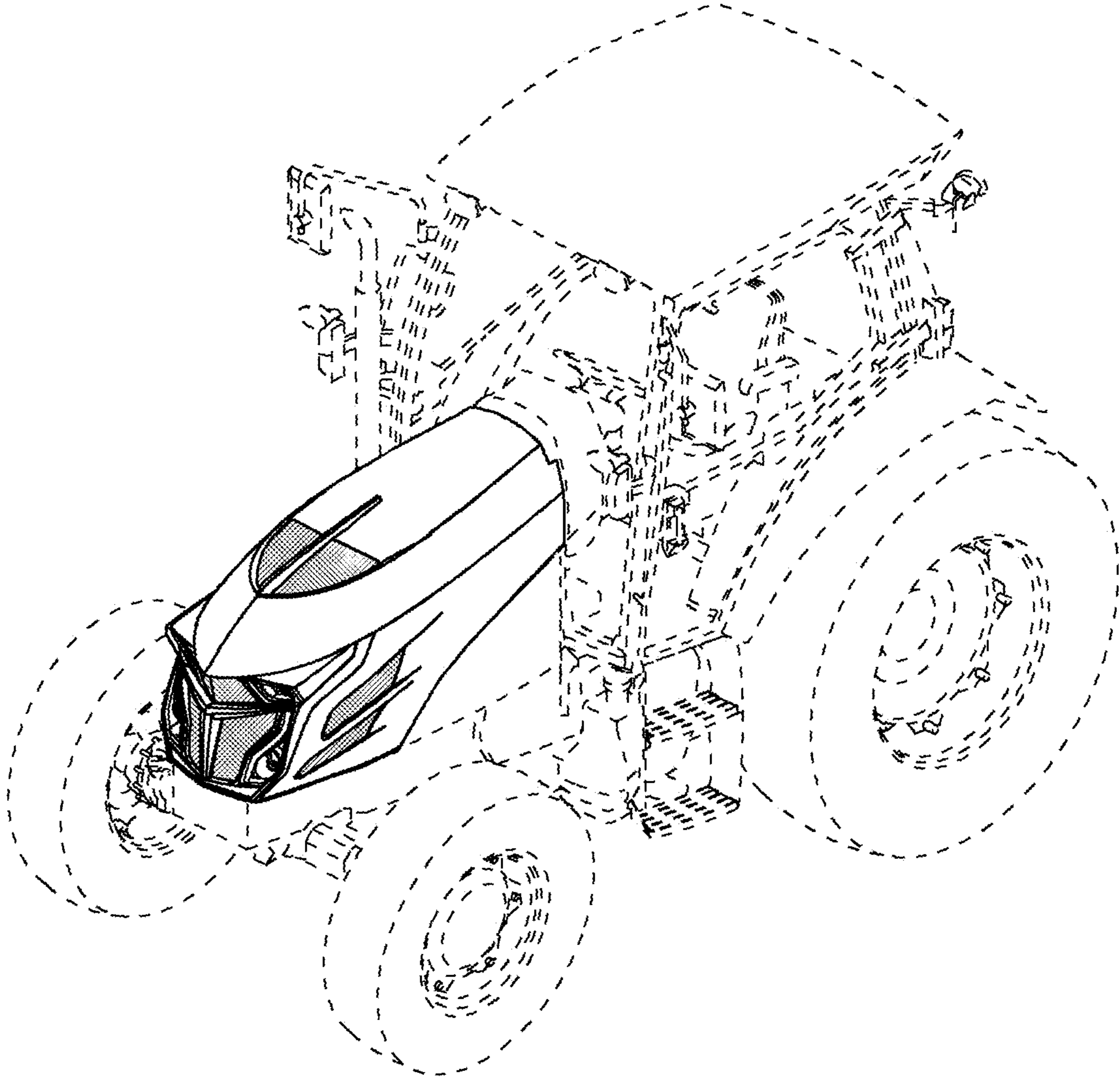


FIG. 28