

US00D754214S

(12) **United States Design Patent**
Payne et al.

(10) **Patent No.:** **US D754,214 S**
(45) **Date of Patent:** **** Apr. 19, 2016**

(54) **EXCAVATOR COWLING**
(71) Applicant: **J.C. BAMFORD EXCAVATORS LIMITED**, Uttoxeter (GB)
(72) Inventors: **Samuel Payne**, Uttoxeter (GB); **Michael Turner**, Uttoxeter (GB); **Paul Colclough**, Uttoxeter (GB); **David Morris**, Uttoxeter (GB)

D460,974 S * 7/2002 Murakami et al. D15/25
D462,973 S * 9/2002 Tamaru et al. D15/25
D487,100 S * 2/2004 Tokach et al. D15/30
D487,575 S * 3/2004 Wetzel et al. D15/33
D506,211 S * 6/2005 Kuwae et al. D15/33
D509,514 S * 9/2005 Shimokakiuchi et al. D15/24
D510,366 S * 10/2005 Kuwae et al. D15/28
D528,568 S * 9/2006 Kuwae et al. D15/28
D534,552 S * 1/2007 Yanagida D15/25
D576,182 S * 9/2008 Murakami et al. D15/28

(Continued)

(73) Assignee: **J.C. BAMFORD EXCAVATORS LIMITED**, Uttoxeter (GB)

Primary Examiner — Mark Goodwin
(74) *Attorney, Agent, or Firm* — Marshall, Gerstein & Borun LLP

(**) Term: **14 Years**

(21) Appl. No.: **29/488,889**

(57) **CLAIM**
The ornamental design for an excavator cowling, as shown and described.

(22) Filed: **Apr. 24, 2014**

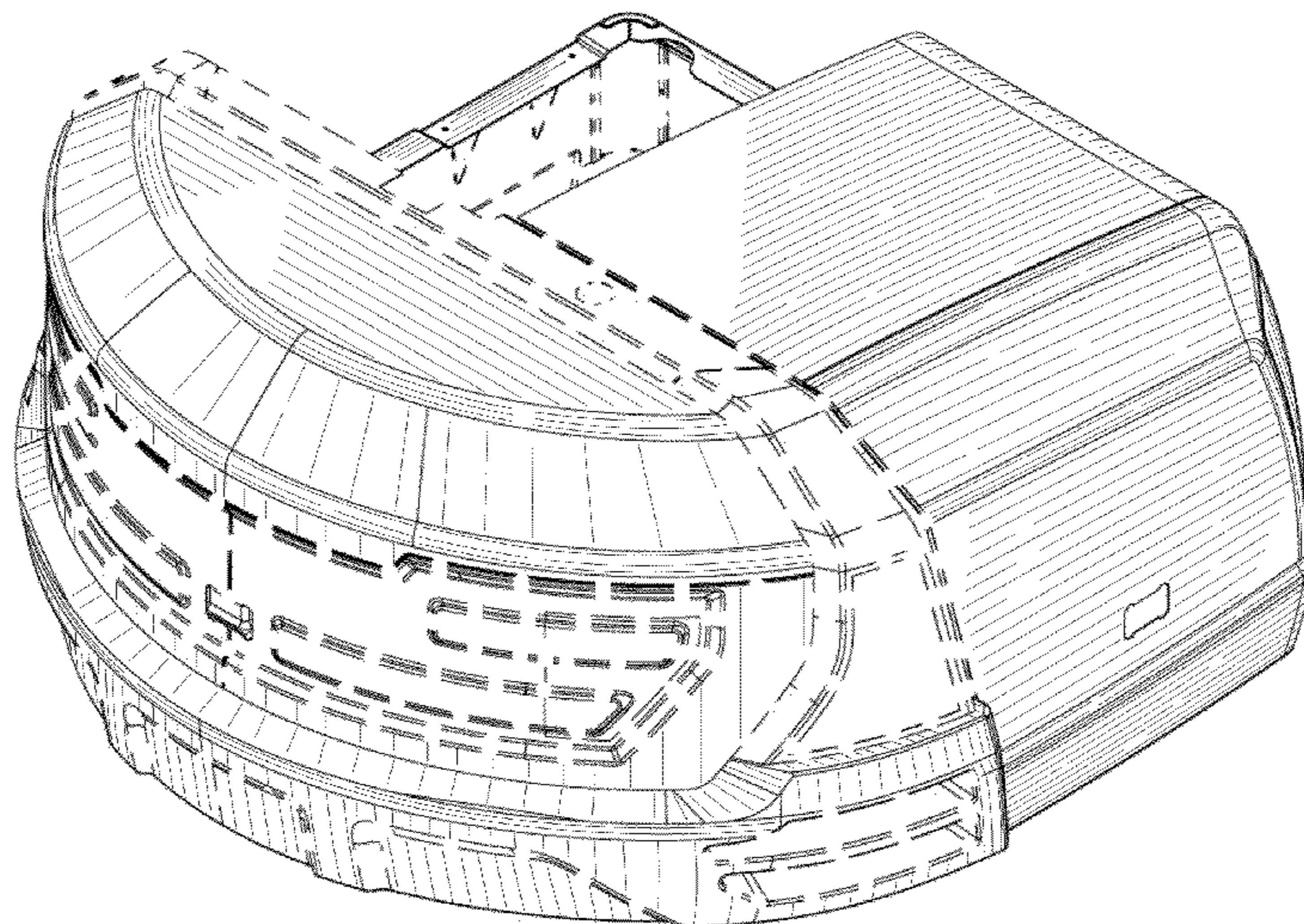
DESCRIPTION

(30) **Foreign Application Priority Data**
Oct. 24, 2013 (EM) 001388086
(51) **LOC (10) Cl.** **15-03**
(52) **U.S. Cl.**
USPC **D15/31**
(58) **Field of Classification Search**
USPC D15/10, 22–26, 28, 30, 31, 33;
180/89.1, 89.12, 89.13, 900, 9.1, 9.2,
180/9.62; 37/379; 414/694, 699, 722–724,
414/660, 685, 698, 719, 743
CPC E02F 9/0866; E02F 9/18; E02F 3/32;
F01N 13/001; F01N 2590/08
See application file for complete search history.

FIG. 1 is a back, right-side, and top view of a first embodiment of an excavator cowling showing the new design.
FIG. 2 is a back, left-side, and top view of the excavator cowling.
FIG. 3 is a left-side elevation view.
FIG. 4 is a back elevation view.
FIG. 5 is a top plan view.
FIG. 6 is a right-side elevation view.
FIG. 7 is a front, right-side, and top view.
FIG. 8 is a back, right-side, and top view of a second embodiment of an excavator cowling showing the new design.
FIG. 9 is a back, left-side, and top view of the second excavator cowling.
FIG. 10 is a left-side elevation view.
FIG. 11 is a back elevation view.
FIG. 12 is a top plan view.
FIG. 13 is a right-side elevation view; and,
FIG. 14 is a front, right-side, and top view.
The broken lines show elements of the excavator cowlings that form no part of the claimed design.

(56) **References Cited**
U.S. PATENT DOCUMENTS
D433,689 S * 11/2000 Kraft et al. D15/30
D440,235 S * 4/2001 Kuwae et al. D15/25
D440,236 S * 4/2001 Kraft et al. D15/28
D450,717 S * 11/2001 Muraro D15/25
D460,462 S * 7/2002 Miyanishi et al. D15/25

1 Claim, 12 Drawing Sheets



(56)

References Cited

U.S. PATENT DOCUMENTS

D579,465 S * 10/2008 Ochi et al. D15/28
D582,947 S * 12/2008 Ueta et al. D15/28
D587,285 S * 2/2009 Murakami et al. D15/28
D633,926 S * 3/2011 Shimada et al. D15/25
D678,358 S * 3/2013 Hiraoka et al. D15/28

D678,359 S * 3/2013 Hagura et al. D15/28
D679,734 S * 4/2013 Tsukamoto et al. D15/28
D684,598 S * 6/2013 Hagura et al. D15/24
D684,600 S * 6/2013 Saito et al. D15/24
D684,605 S * 6/2013 Hagura et al. D15/28
D687,865 S * 8/2013 Hatanaka et al. D15/24
D688,713 S * 8/2013 Seino et al. D15/33

* cited by examiner

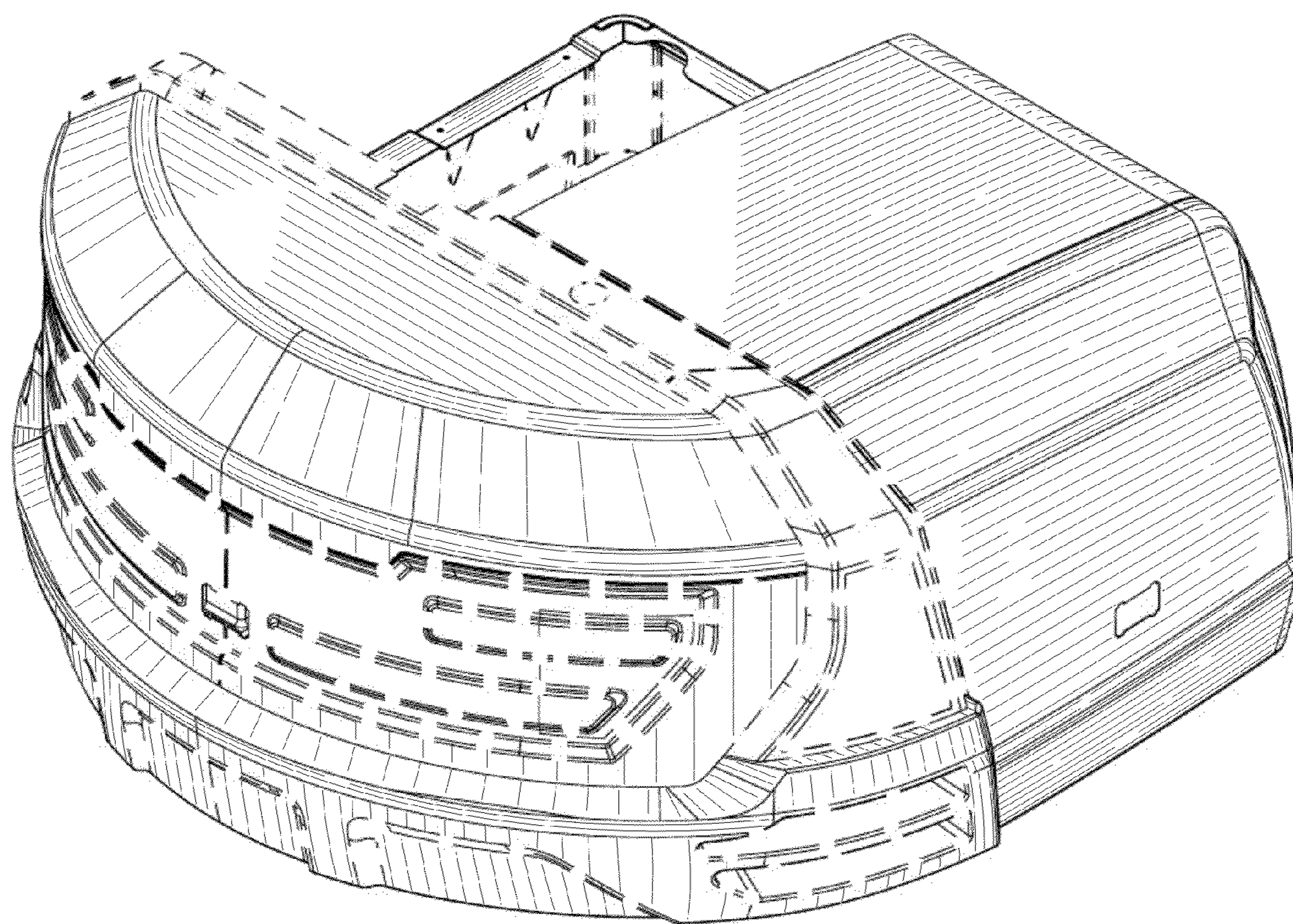


FIG. 1

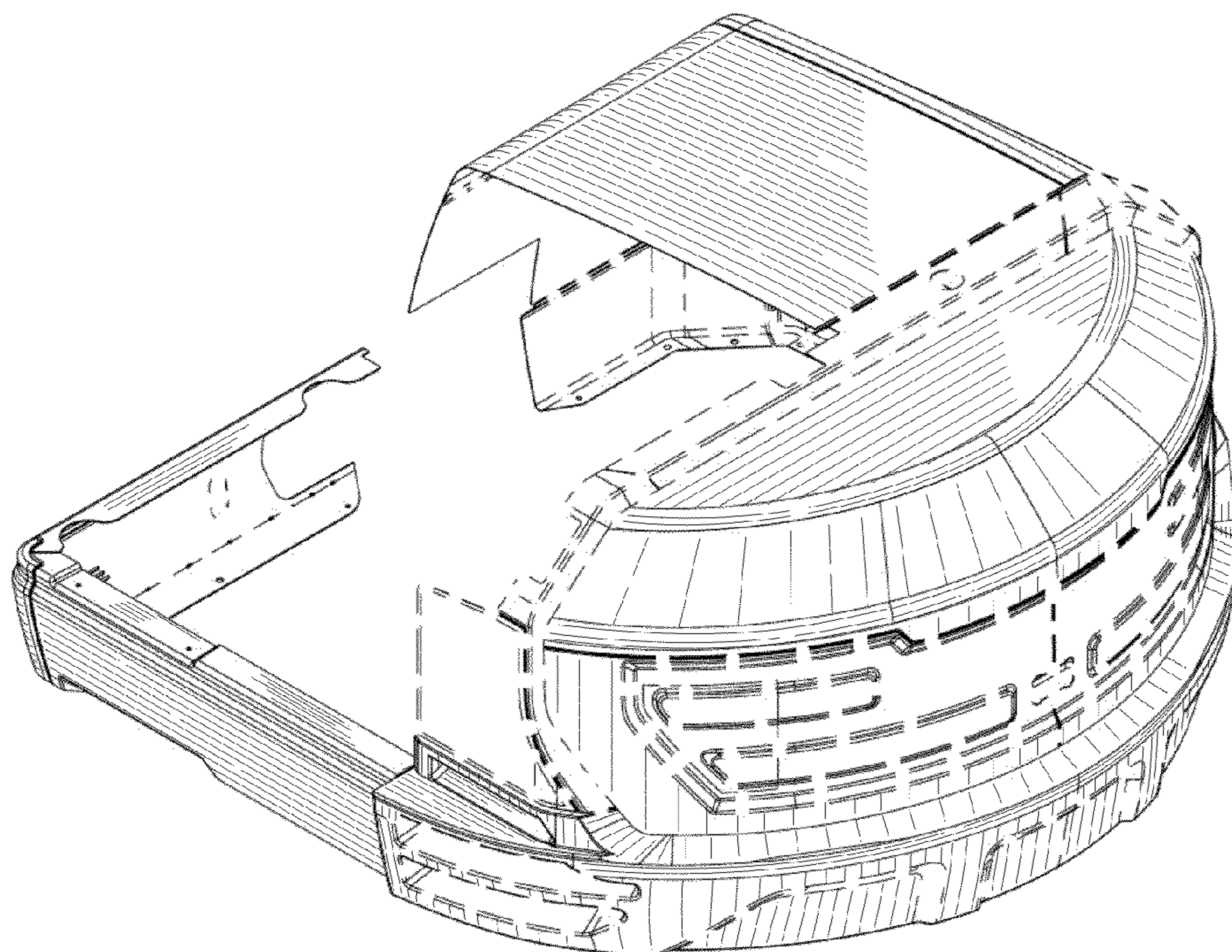


FIG. 2

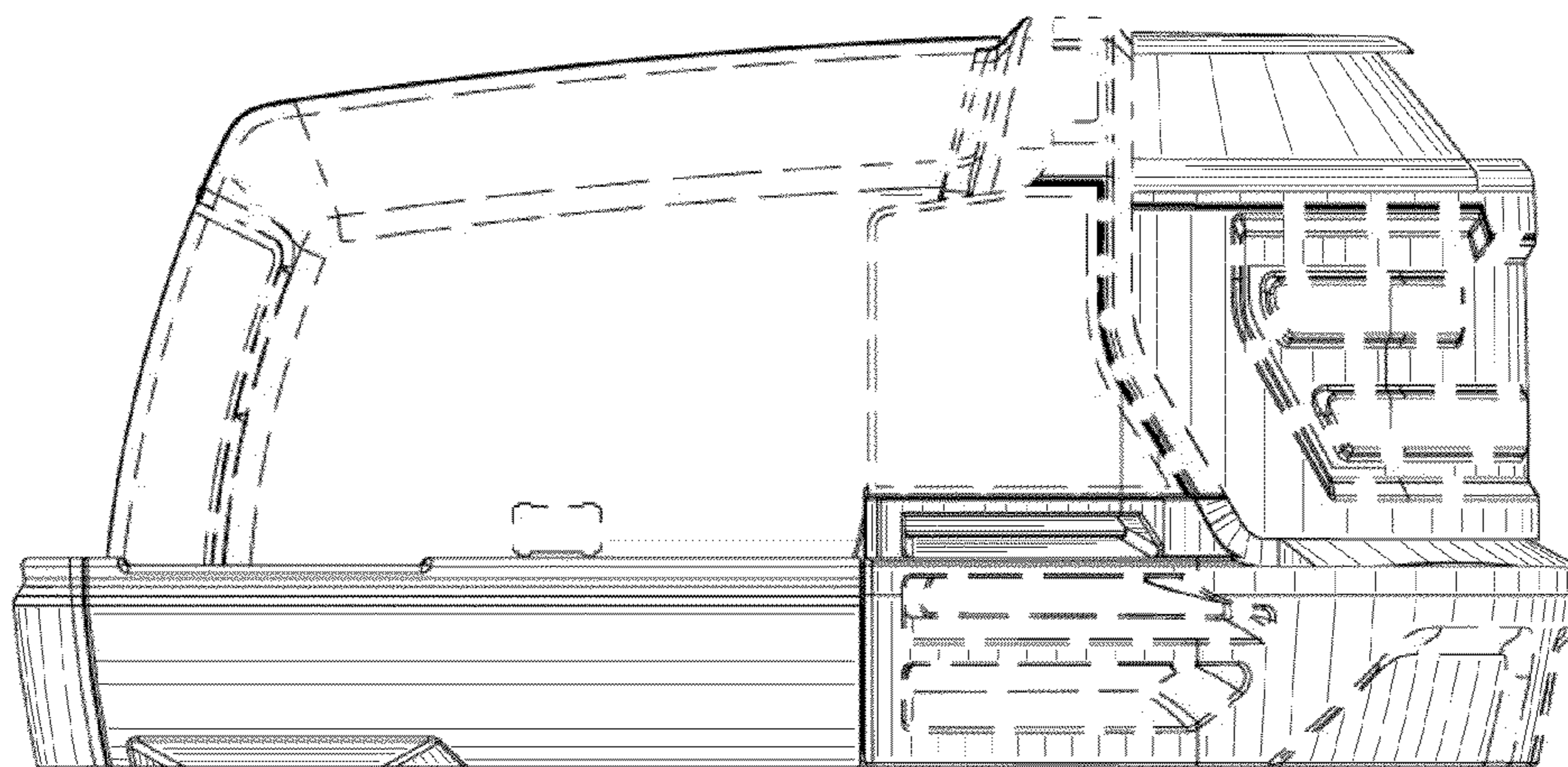


FIG. 3

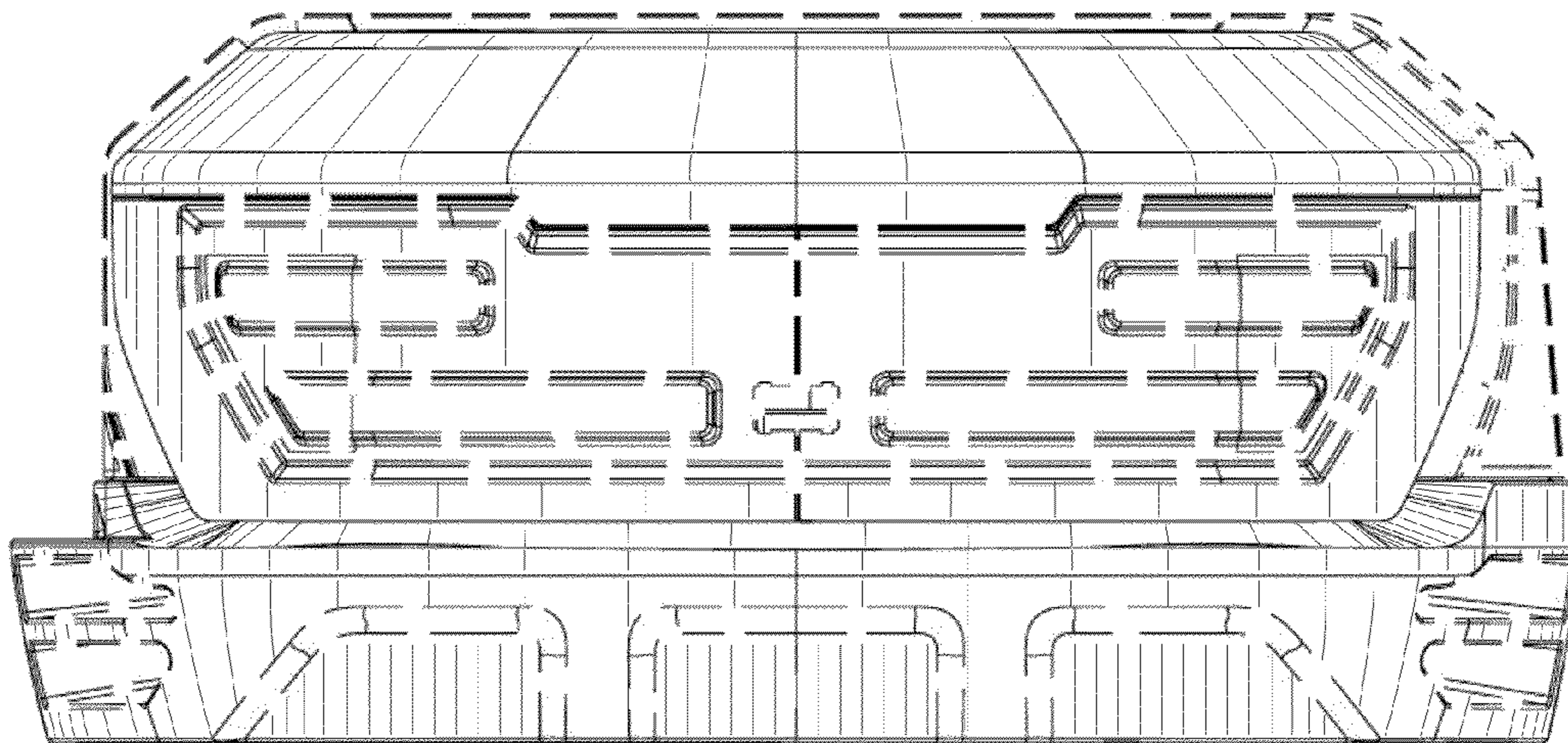


FIG. 4

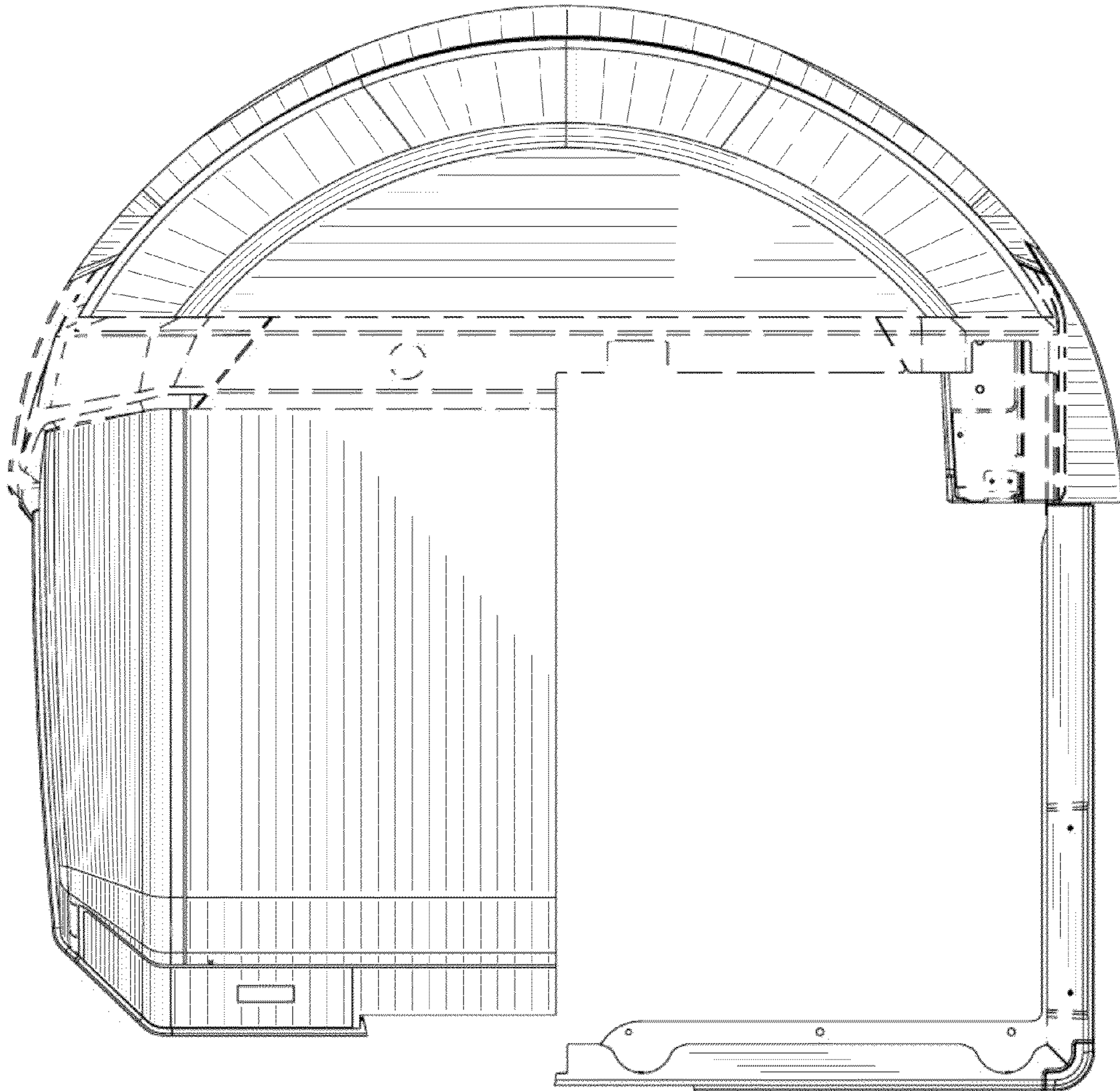


FIG. 5

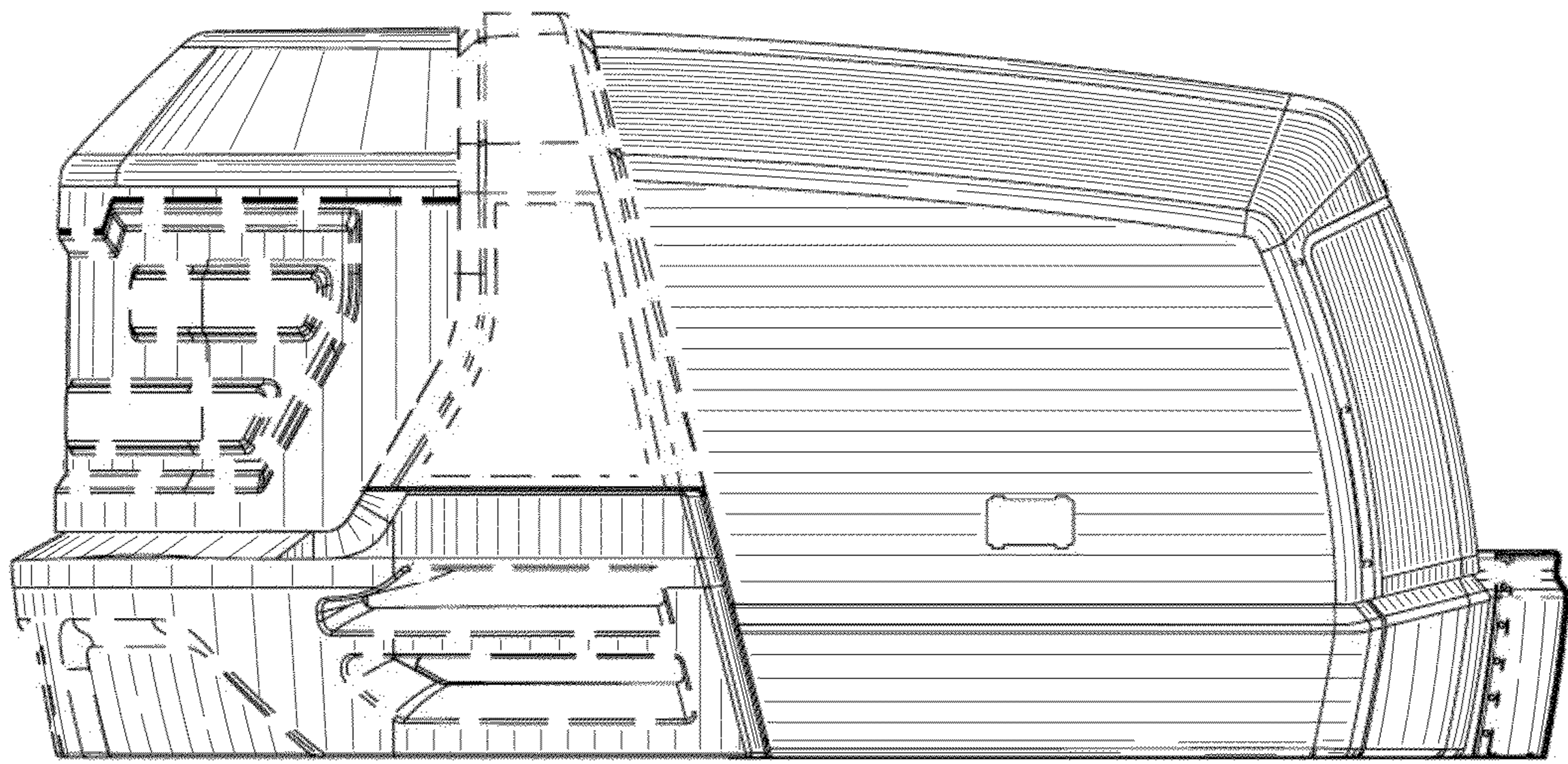


FIG. 6

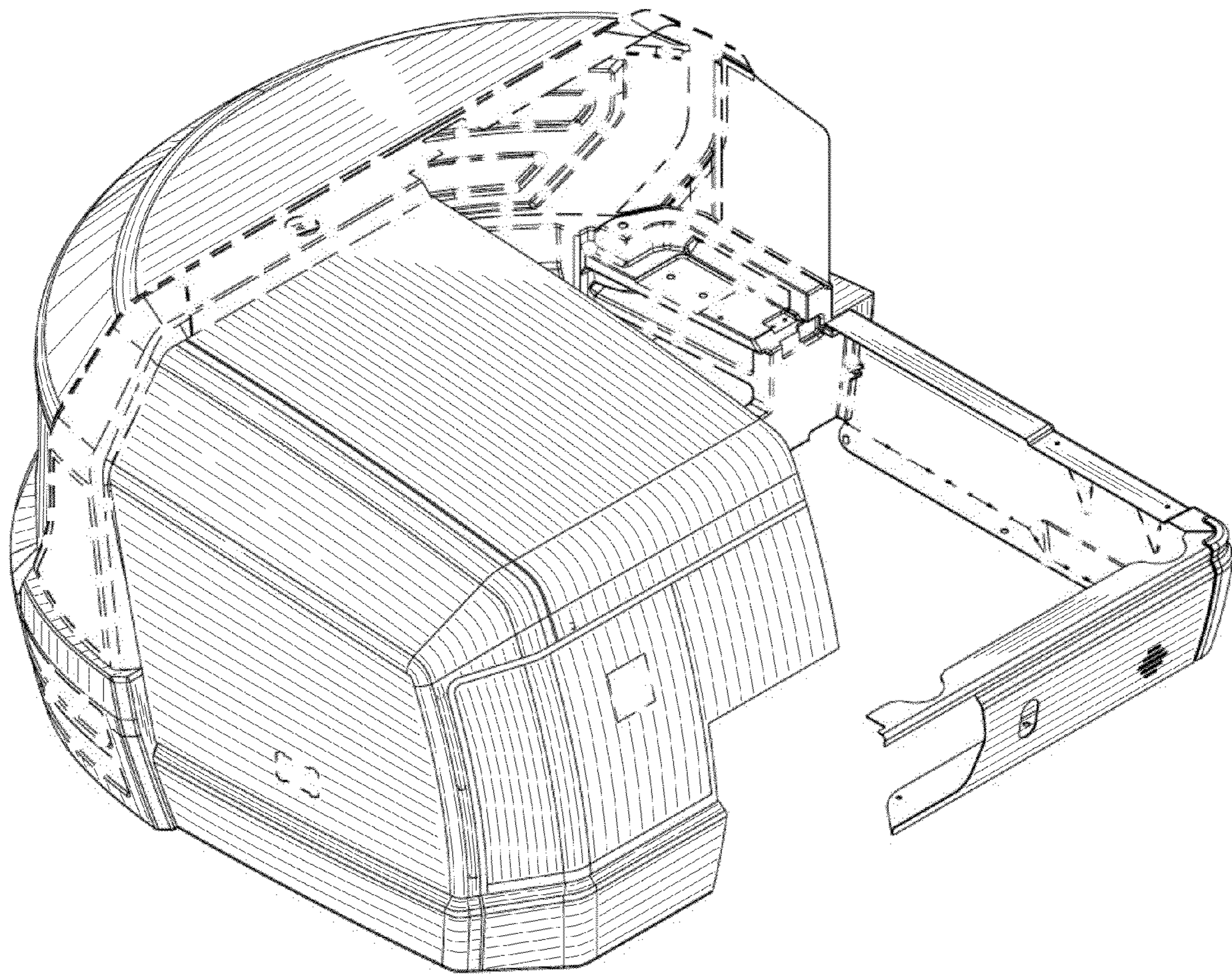


FIG. 7

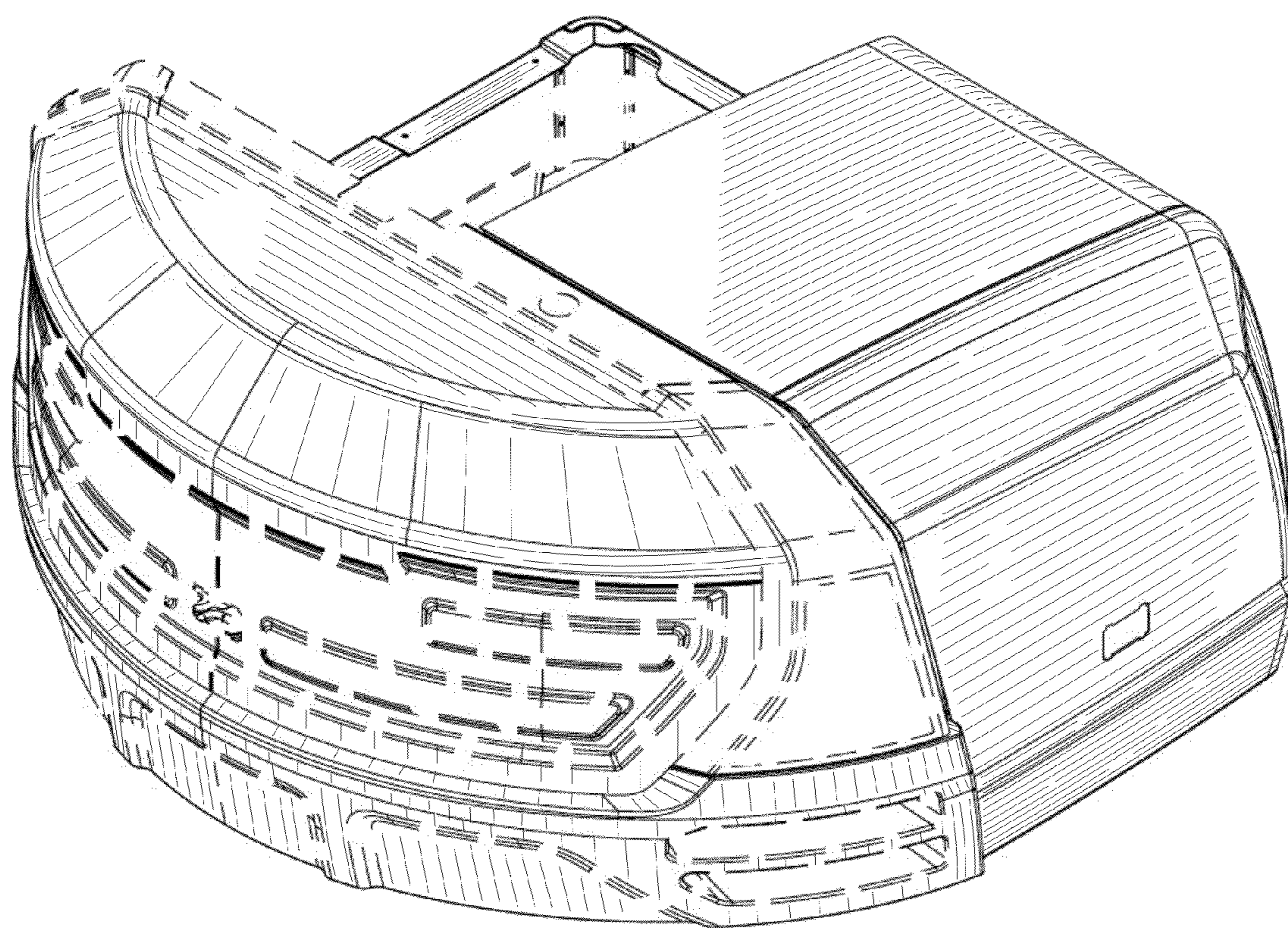


FIG. 8

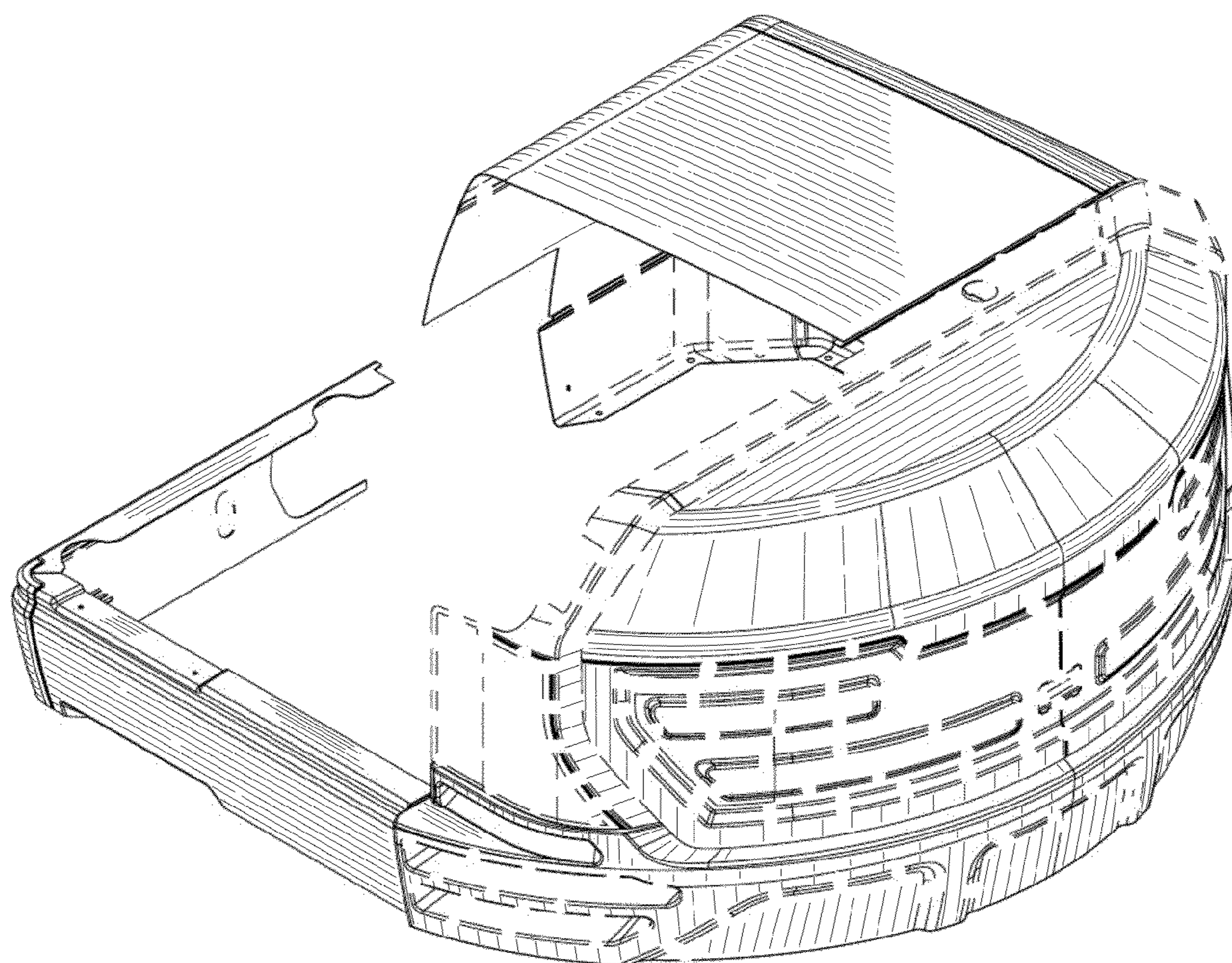


FIG. 9

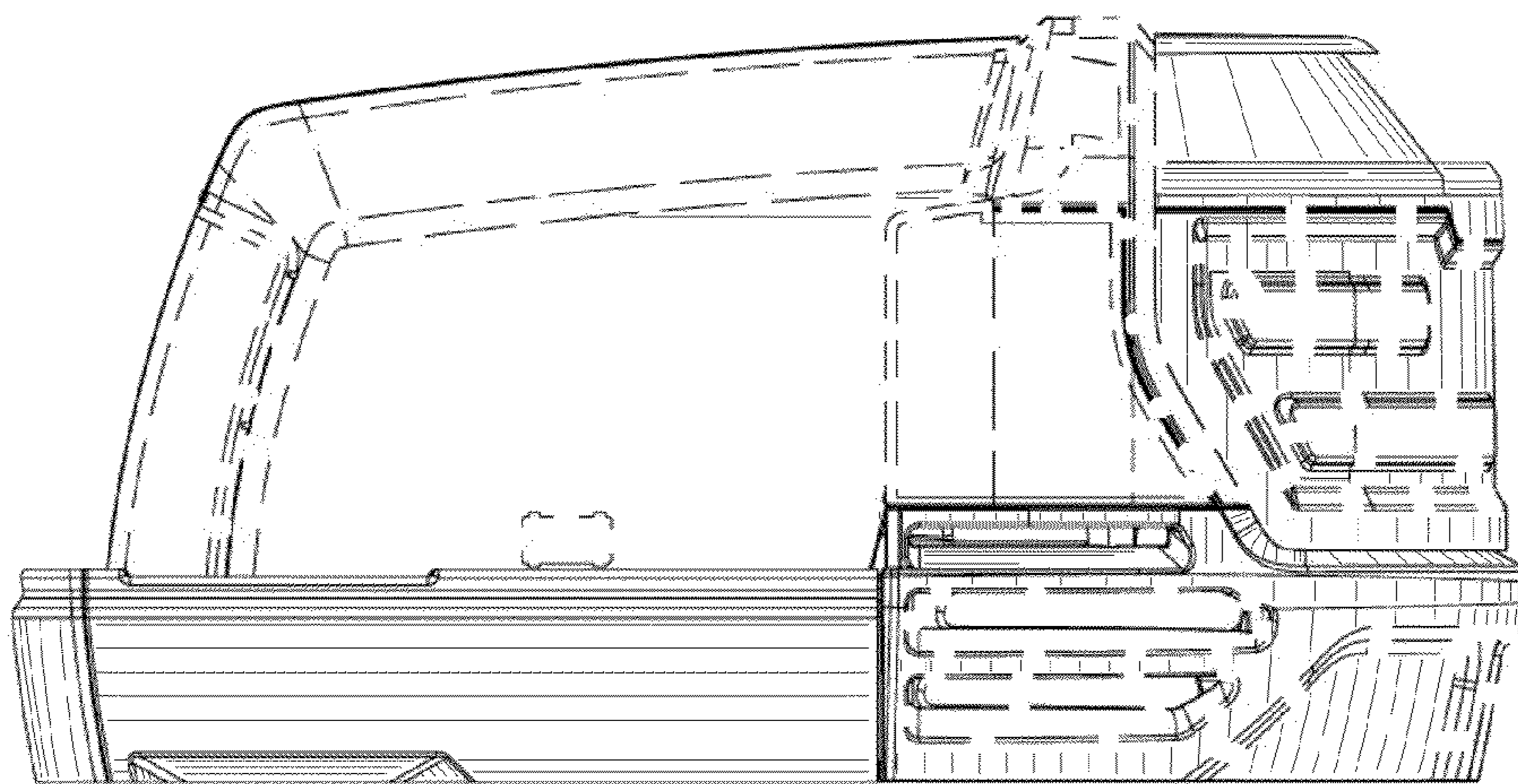


FIG. 10

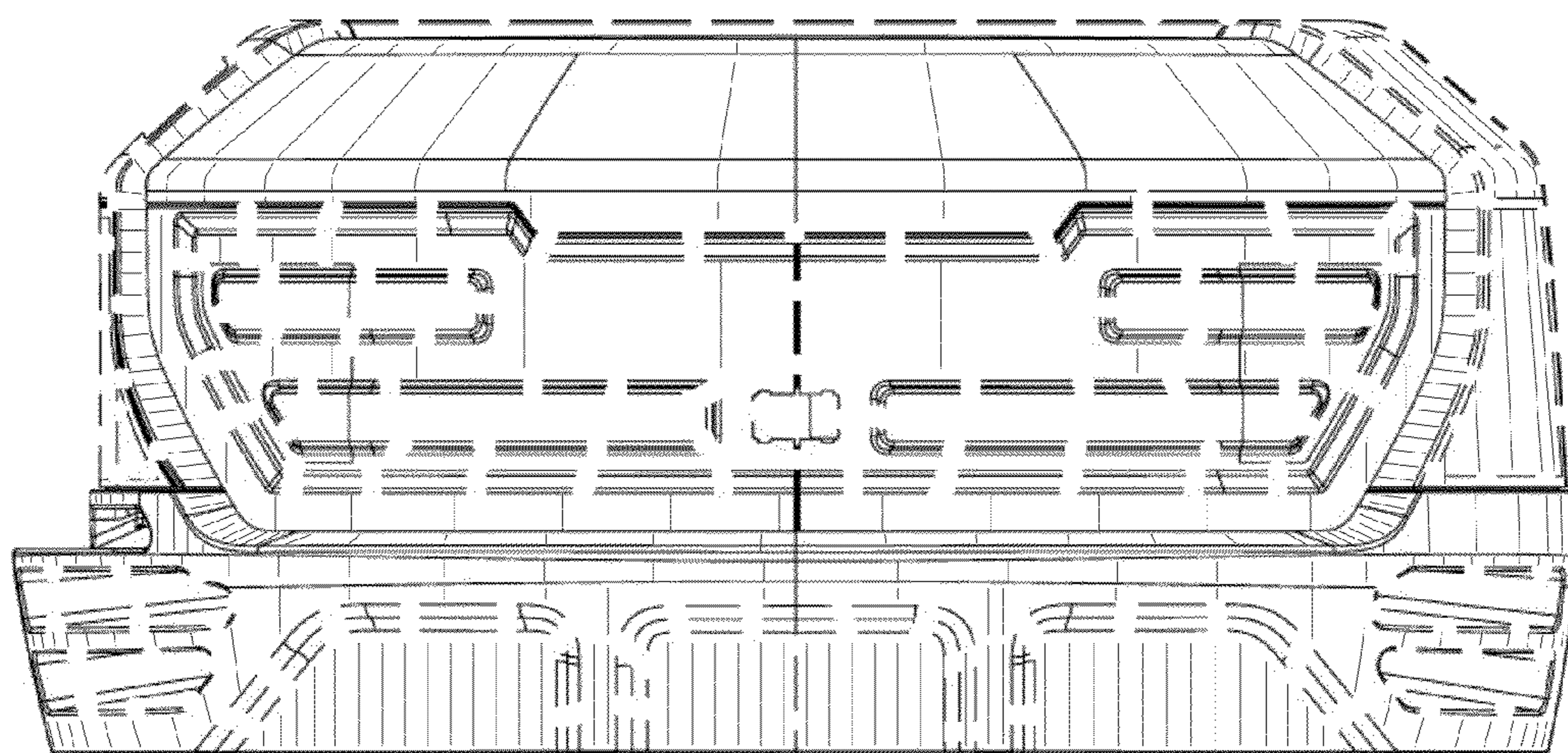


FIG. 11

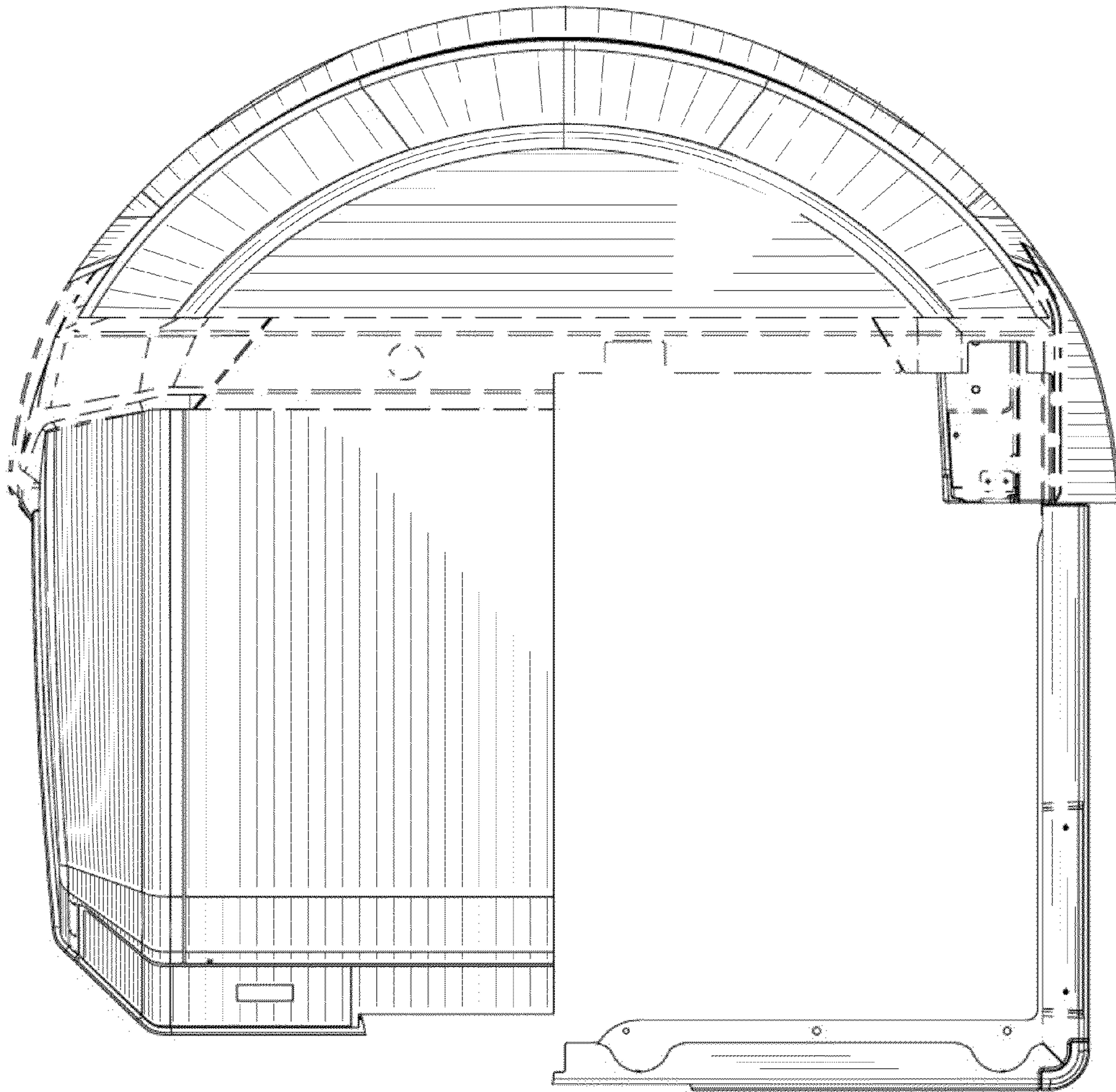


FIG. 12

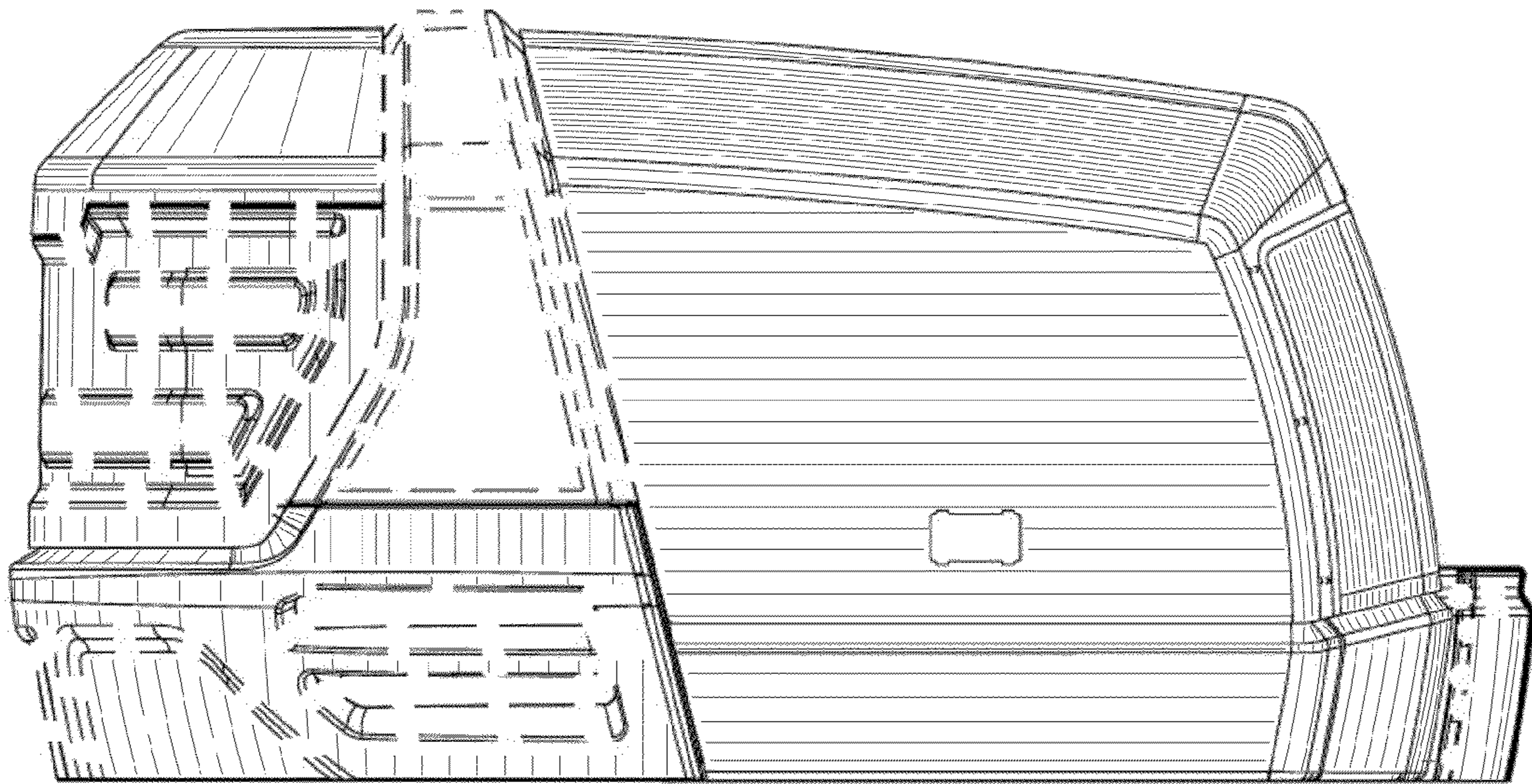


FIG. 13

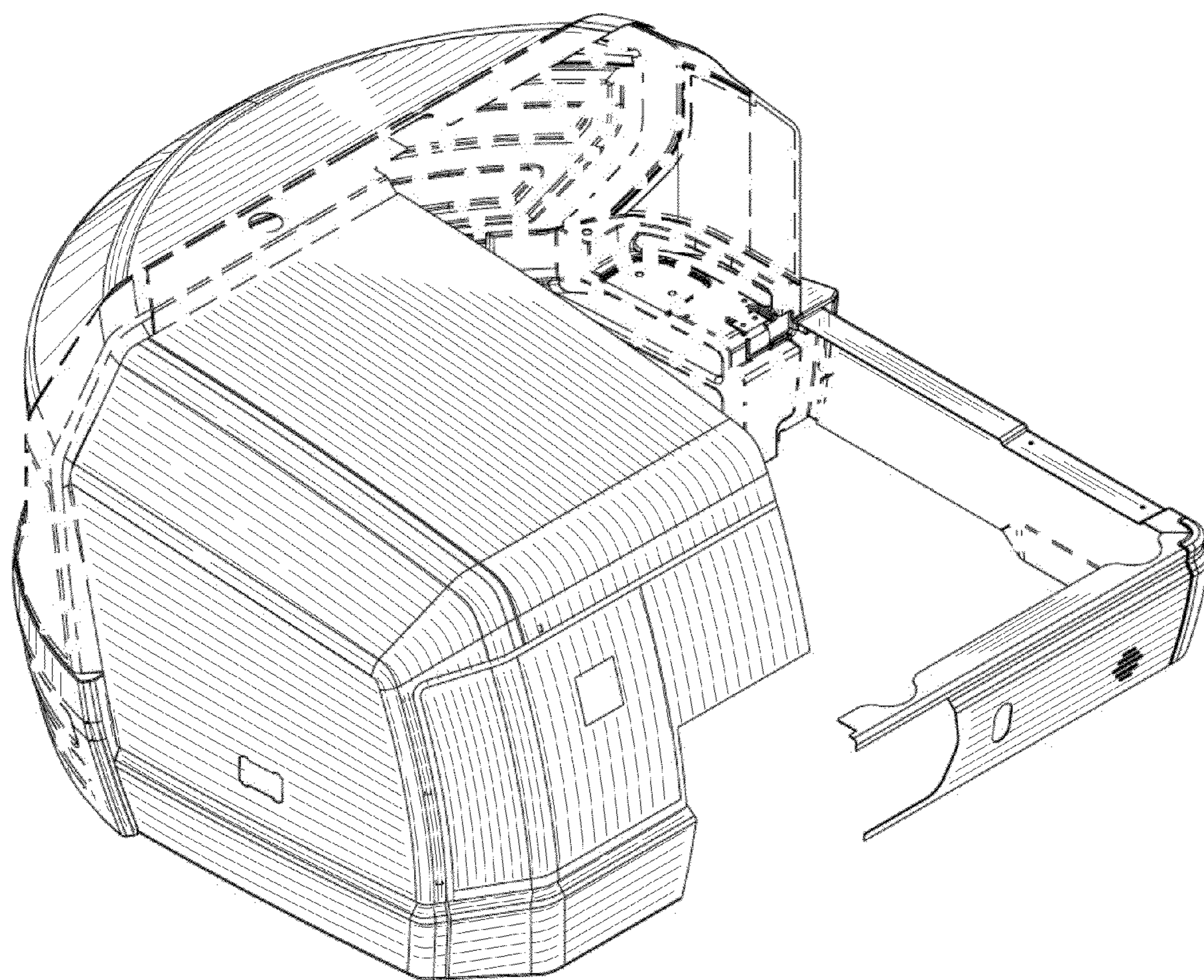


FIG. 14