



US00D754212S

(12) **United States Design Patent**
Jackson et al.

(10) **Patent No.:** **US D754,212 S**
(45) **Date of Patent:** **** Apr. 19, 2016**

(54) **FENDER OF AN AGRICULTURAL VEHICLE**

(71) Applicant: **CNH Industrial America LLC**, New Holland, PA (US)

(72) Inventors: **Dwayne St. George Jackson**, Plainfield, IL (US); **Guido Bianco**, Piosasco (IT); **Stefano Fincato**, Piobesi Torinese (IT)

(73) Assignee: **CNH Industrial America LLC**, New Holland, PA (US)

(**) Term: **15 Years**

(21) Appl. No.: **29/530,562**

(22) Filed: **Jun. 17, 2015**

(51) **LOC (10) Cl.** **15-03**

(52) **U.S. Cl.**
USPC **D15/28**

(58) **Field of Classification Search**
USPC D15/28, 22-26, 14-18, 31, 33;
D12/181, 184, 196; 296/198; 280/160,
280/847, 154, 854; 180/68.1, 900, 69.21,
180/69.22, 69.23, 69.24, 69.25, 89.1, 69.2,
180/89.12, 89.19, 273, 68.6; 56/16.1, 13.3,
56/15.9, 16.7, 17.4, 202, 255, 320.1, 13.4,
56/15.8, 294, 320.2

CPC .. B62D 25/161; B62D 25/168; B62D 25/182;
B62D 25/18; B62D 25/16

See application file for complete search history.

(56) **References Cited**

U.S. PATENT DOCUMENTS

D484,894 S * 1/2004 McCord D15/28
D516,588 S * 3/2006 Higashikawa D15/28
D542,308 S * 5/2007 Oka D15/23
7,222,884 B2 * 5/2007 Callan B62D 25/182
280/154
D544,888 S * 6/2007 Mursch D15/28

D591,774 S * 5/2009 Kokitkar D15/28
D591,775 S * 5/2009 Kokitkar D15/28
D604,750 S * 11/2009 Smith D15/28
D618,711 S * 6/2010 Tokuhara D15/17
D623,103 S * 9/2010 Braga D12/181
D681,687 S * 5/2013 Higashikawa D15/17
8,882,152 B2 * 11/2014 Rund B62D 25/168
280/154
D721,106 S * 1/2015 Okuyama D15/23
8,960,725 B2 * 2/2015 Rund B62D 25/161
280/154

OTHER PUBLICATIONS

U.S. Appl. No. 29/530,560, filed Jun. 17, 2015, Dwayne St. George Jackson.

U.S. Appl. No. 29/530,563, filed Jun. 17, 2015, Dwayne St. George Jackson.

U.S. Appl. No. 29/530,578, filed Jun. 17, 2015, Dwayne St. George Jackson.

* cited by examiner

Primary Examiner — Mark Goodwin

(74) *Attorney, Agent, or Firm* — Sue C. Watson

(57) **CLAIM**

The ornamental design for a fender of an agricultural vehicle, substantially as shown and described.

DESCRIPTION

FIG. 1 is a perspective view of a fender of an agricultural vehicle showing our new design;

FIG. 2 is a right side view thereof;

FIG. 3 is a left side view thereof;

FIG. 4 is a front view thereof;

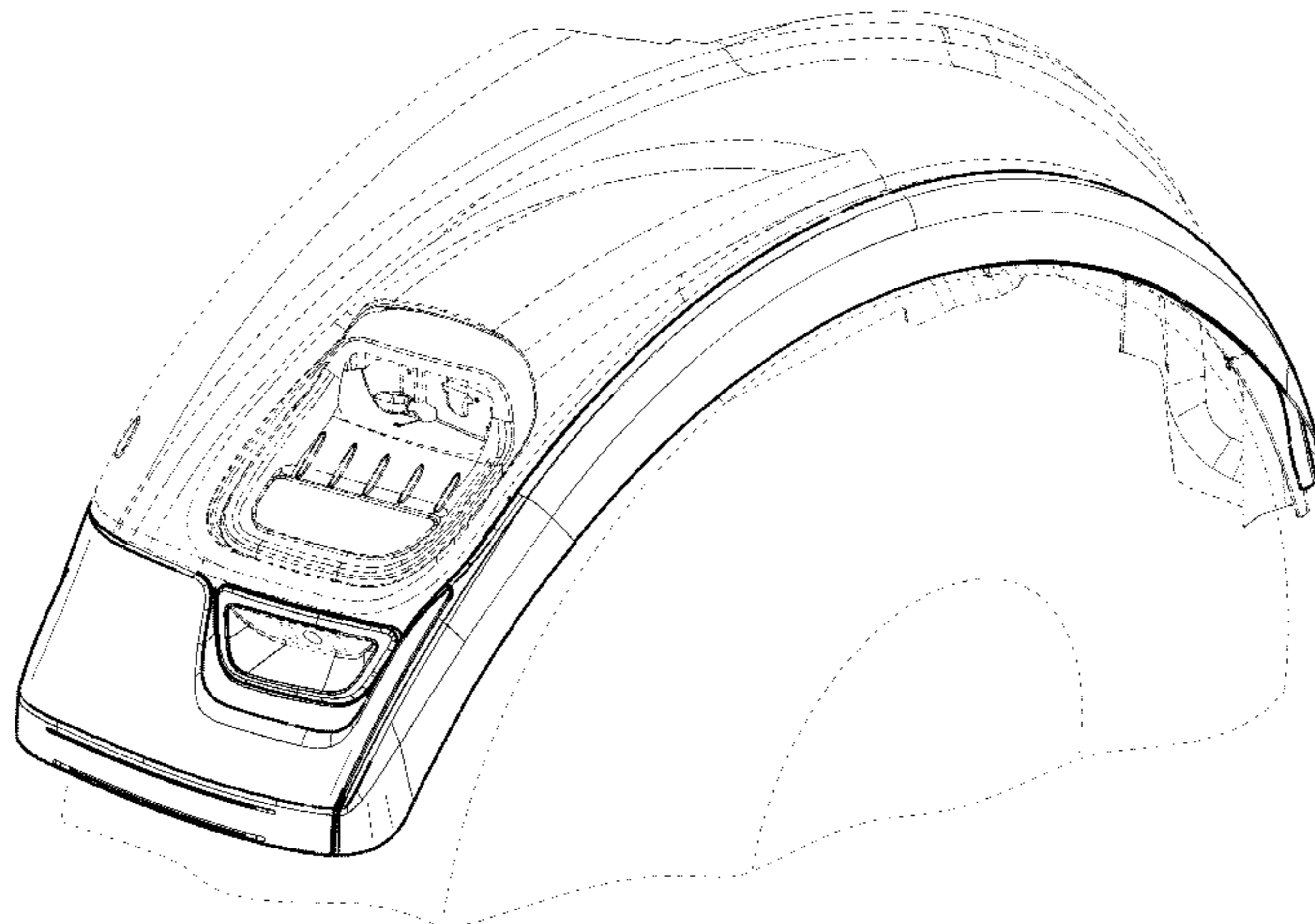
FIG. 5 is a back view thereof;

FIG. 6 is a top view thereof; and,

FIG. 7 is a bottom view thereof.

Phantom lines, where utilized, are for illustrative purposes only and form no part of the claimed design.

1 Claim, 7 Drawing Sheets



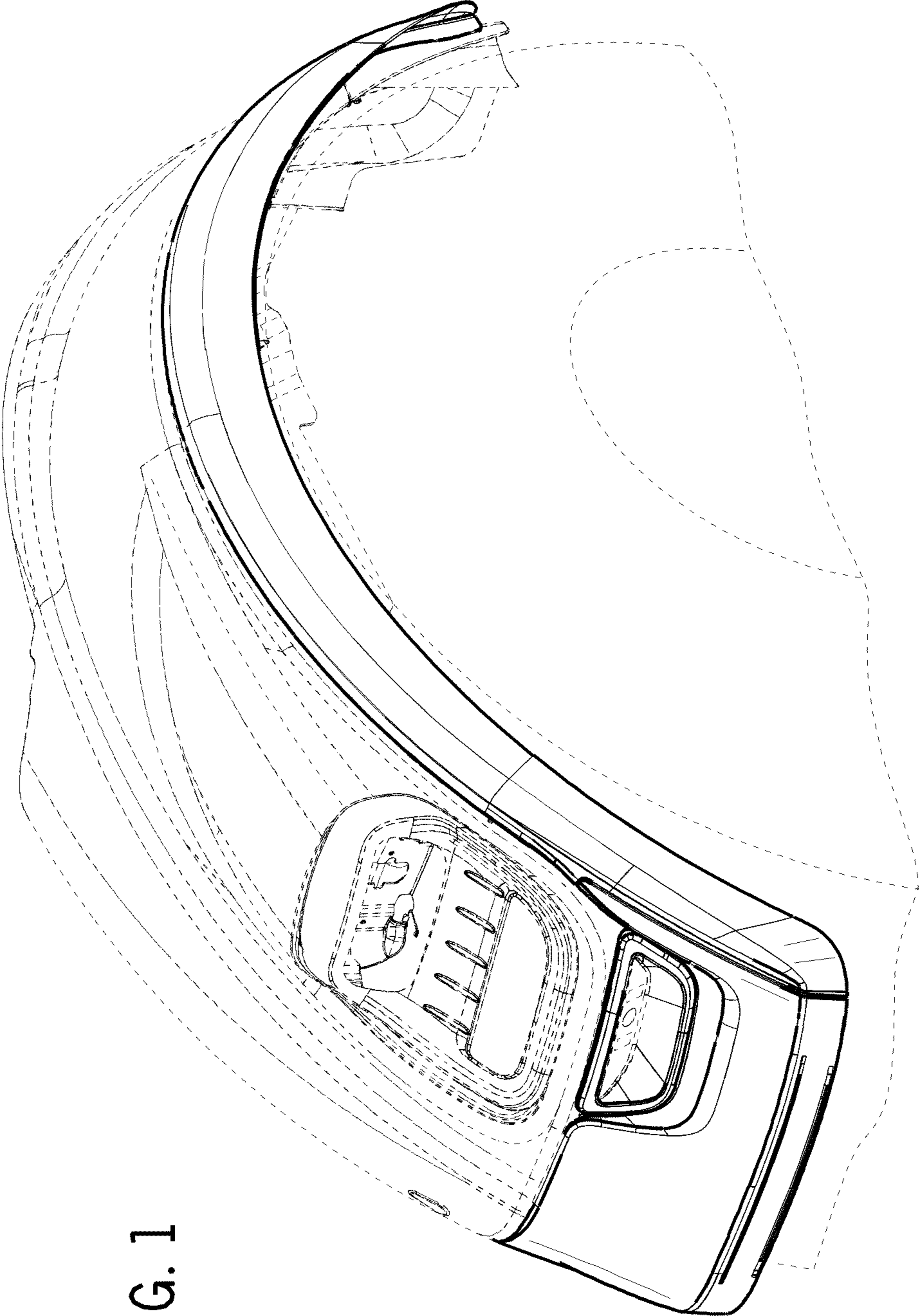


FIG. 1

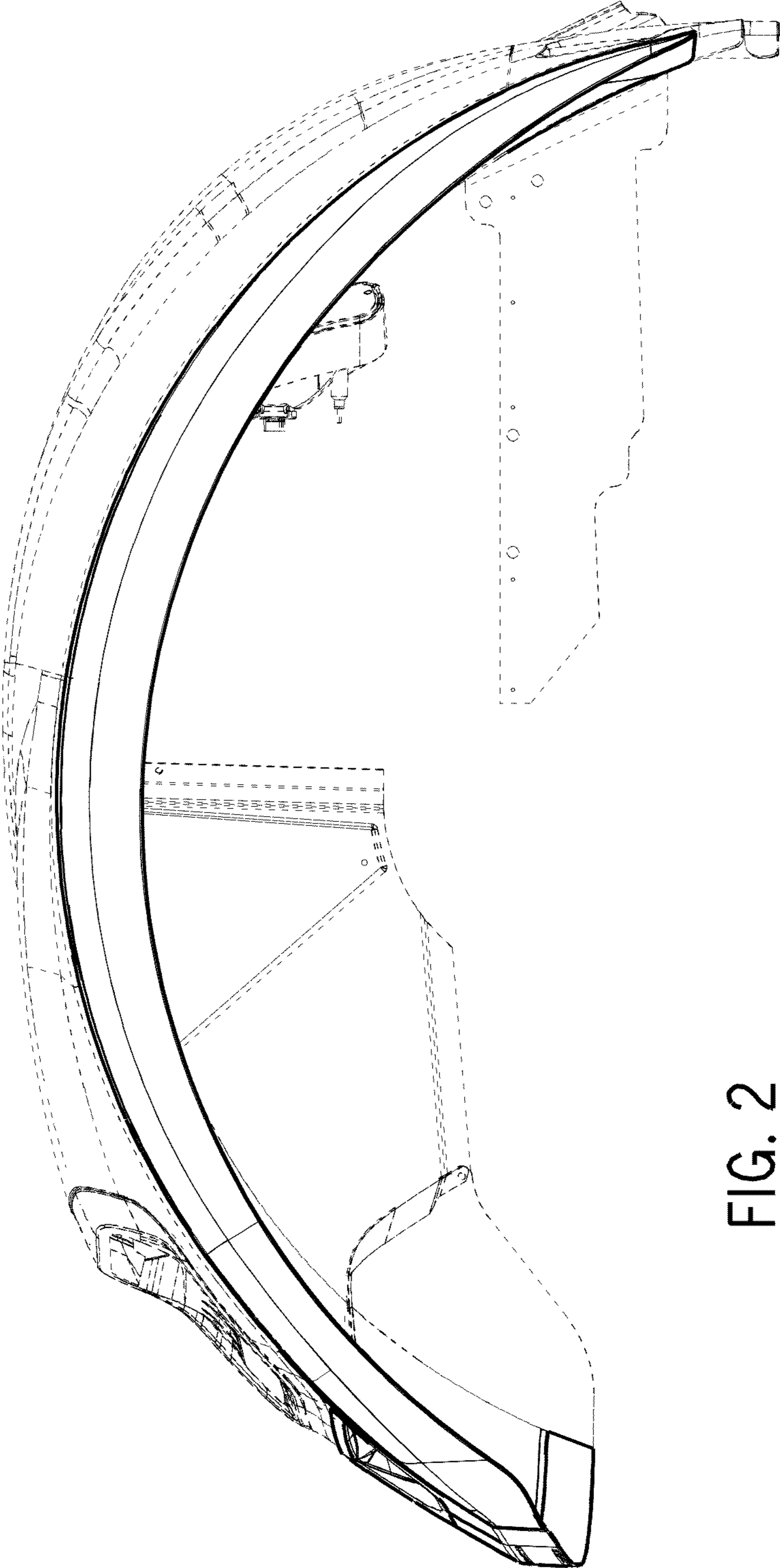


FIG. 2

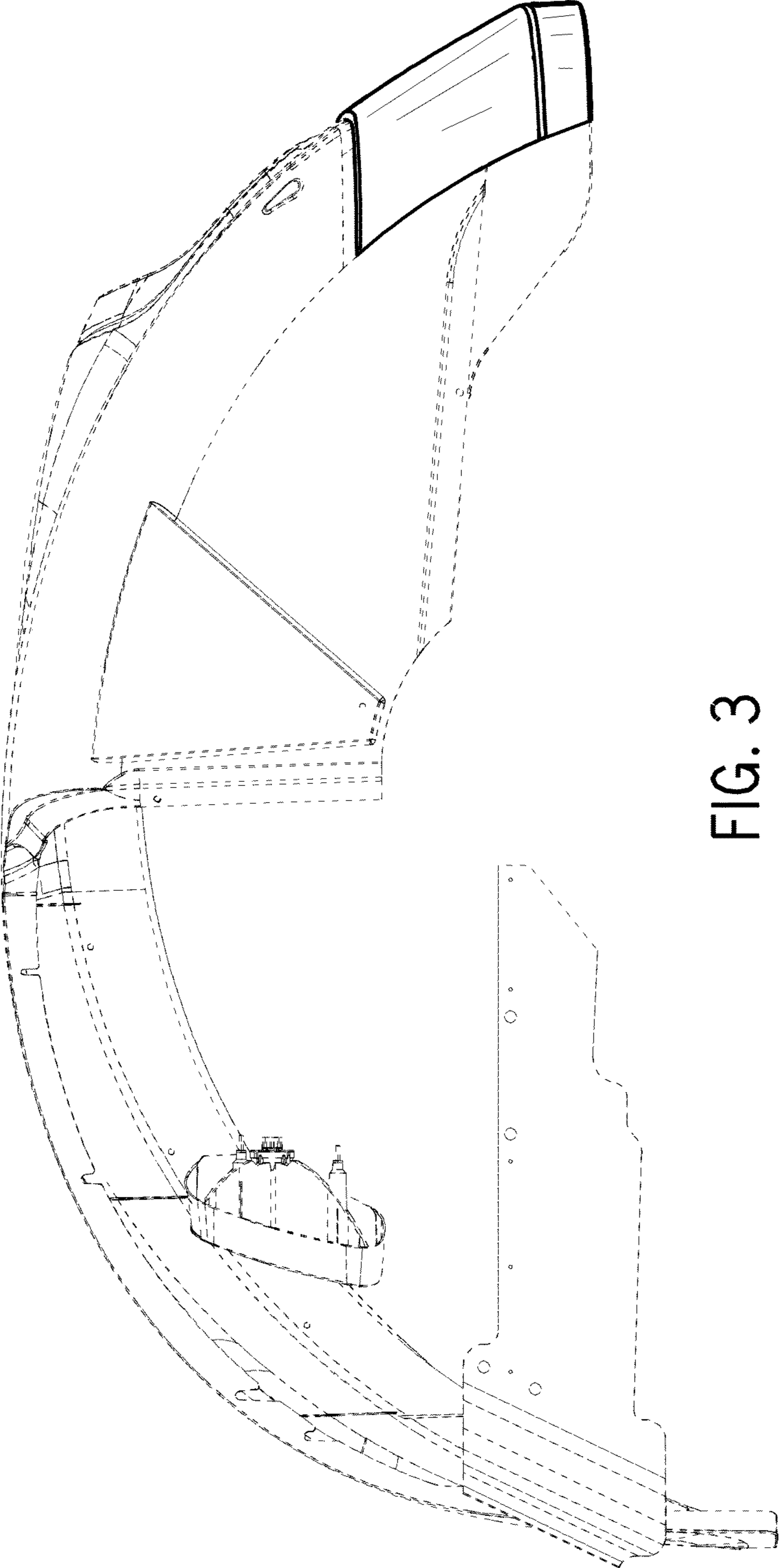


FIG. 3

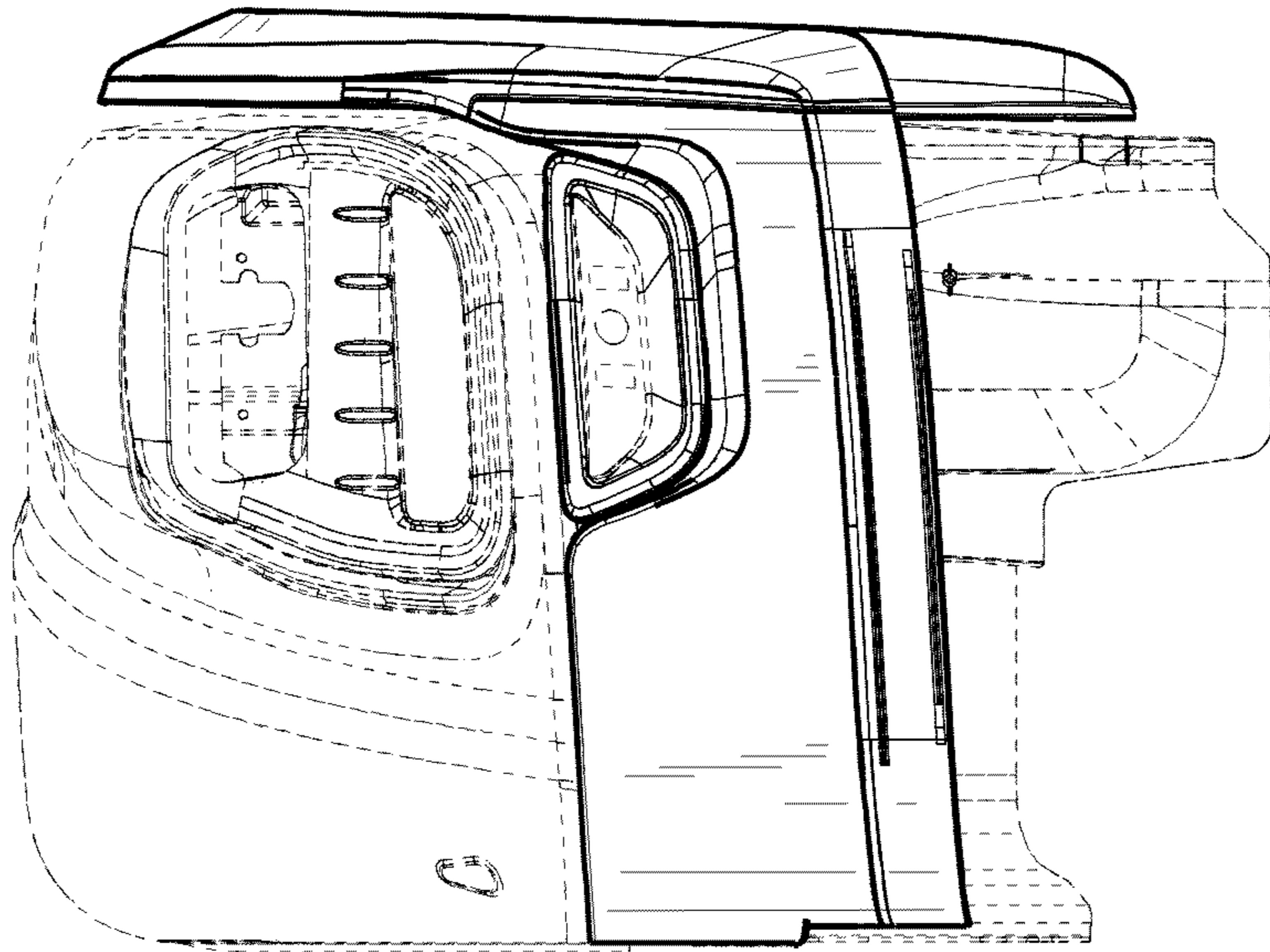


FIG. 4

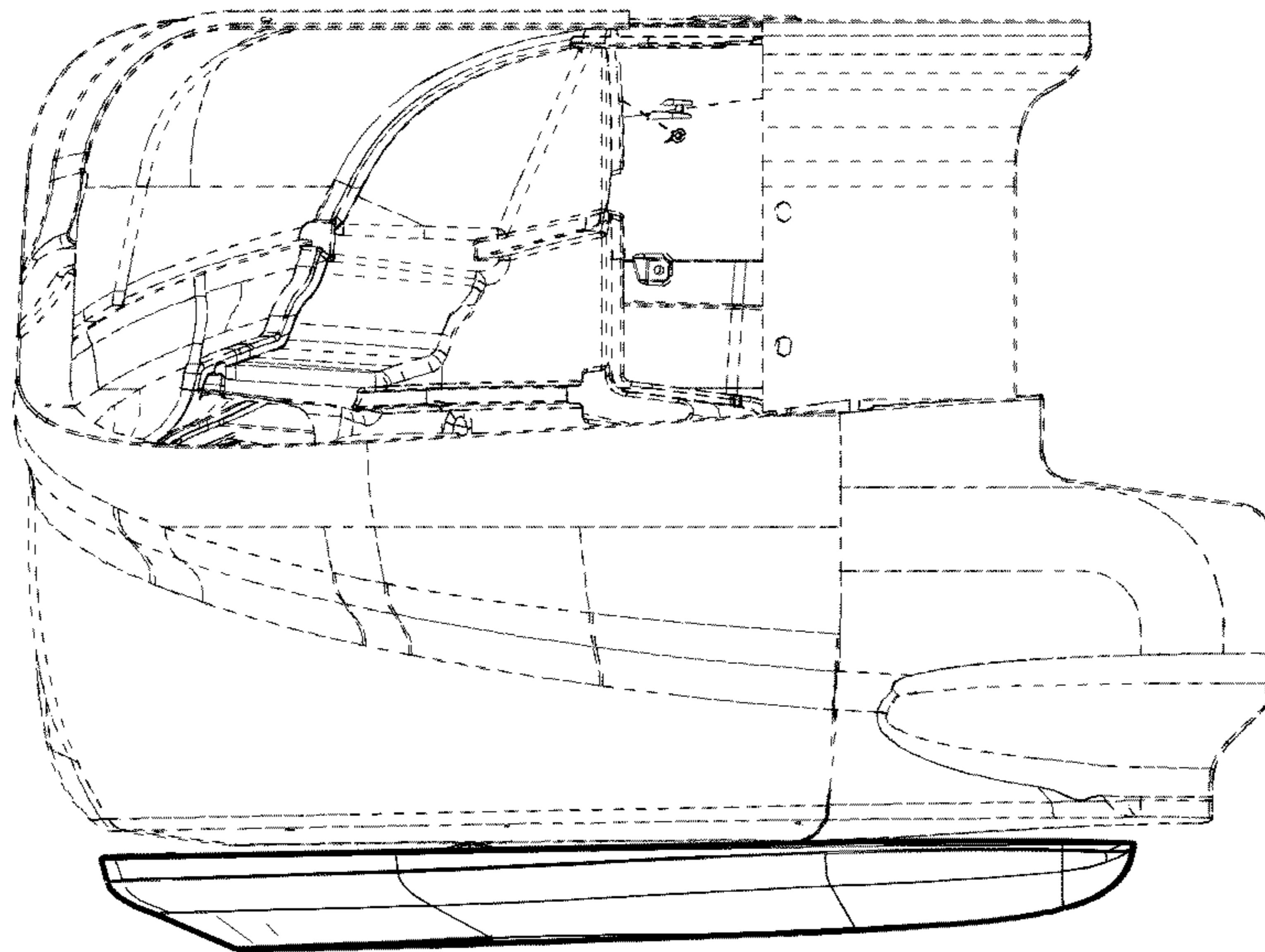


FIG. 5

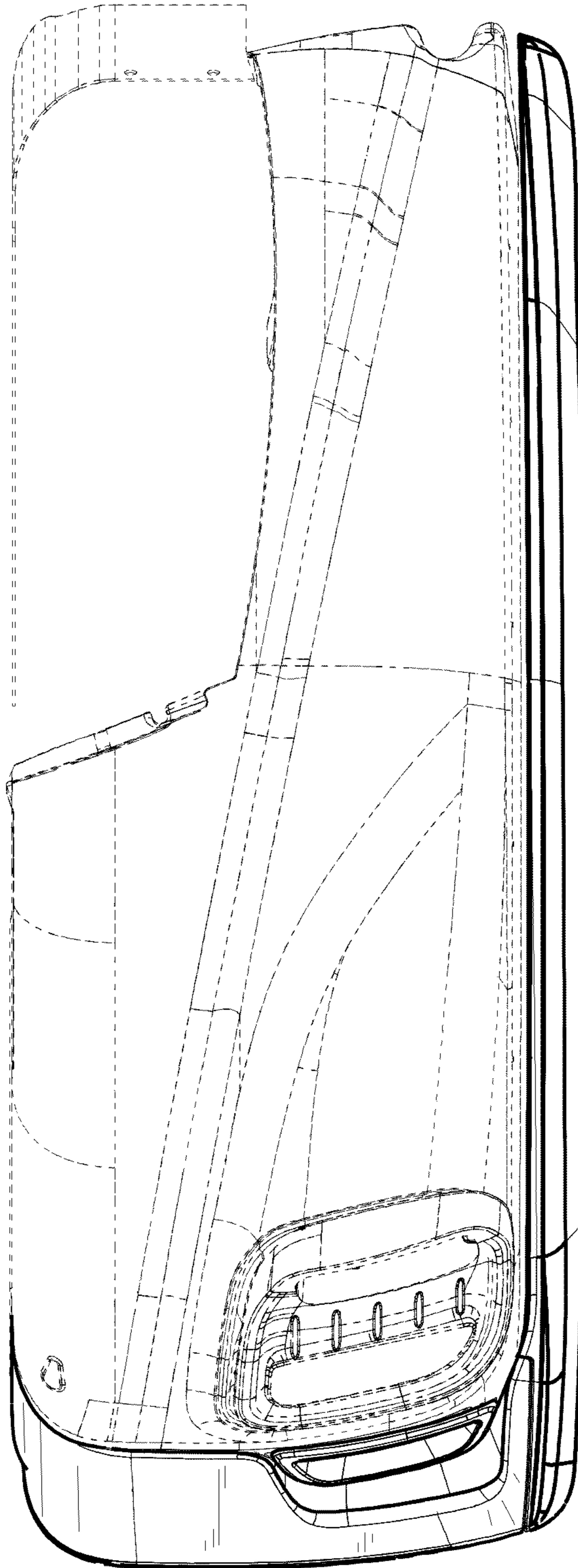


FIG. 6

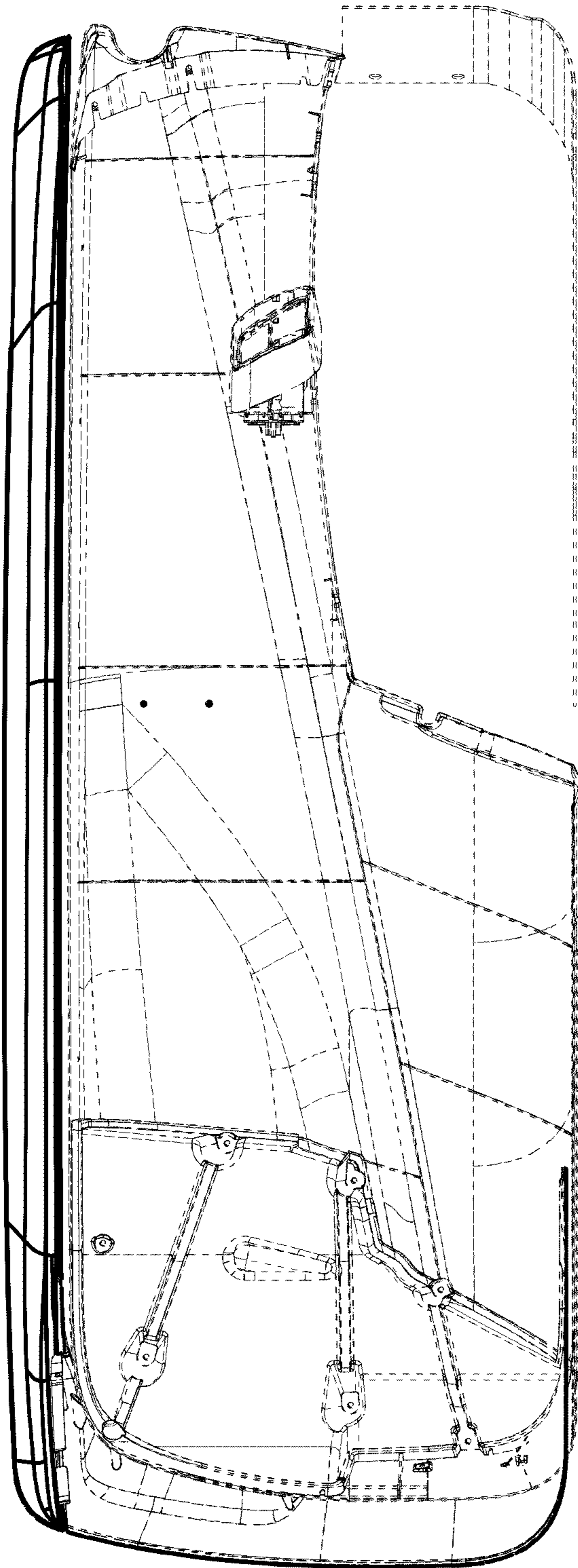


FIG. 7