



US00D754211S

(12) **United States Design Patent**
Moore et al.

(10) **Patent No.:** **US D754,211 S**
(45) **Date of Patent:** **** Apr. 19, 2016**

(54) **CAB CONSOLE FOR A WHEELED LOADING SHOVEL VEHICLE**

(71) Applicant: **J.C. BAMFORD EXCAVATORS LIMITED**, Utttoxeter (GB)

(72) Inventors: **Richard Moore**, Utttoxeter (GB); **Heath Sunderland**, Utttoxeter (GB)

(73) Assignee: **J.C. BAMFORD EXCAVATORS LIMITED**, Utttoxeter (GB)

(**) Term: **14 Years**

(21) Appl. No.: **29/496,167**

(22) Filed: **Jul. 10, 2014**

(30) **Foreign Application Priority Data**

Jan. 10, 2014 (EM) 001399273

(51) **LOC (10) Cl.** **15-03**

(52) **U.S. Cl.**
USPC **D15/28**

(58) **Field of Classification Search**
USPC D15/14, 15, 17, 22-26, 28, 31, 33;
180/90, 69.24, 69.2, 69.21; 296/70,
296/301, 72, 191, 192, 193.03; D12/192
See application file for complete search history.

(56) **References Cited**

U.S. PATENT DOCUMENTS

4,126,202 A * 11/1978 Hern 180/89.12
D256,018 S * 7/1980 Stone et al. D15/28
4,447,860 A * 5/1984 Stone et al. 362/30
D365,574 S * 12/1995 Westimayer et al. D15/17
5,725,065 A * 3/1998 Knurr et al. 180/69.2

D471,564 S * 3/2003 Hohnl et al. D15/28
D549,739 S * 8/2007 Stephens D15/28
D594,885 S * 6/2009 Kuwae et al. D15/28
D652,063 S * 1/2012 Takeuchi et al. D15/28
D652,433 S * 1/2012 Takeuchi et al. D15/28
8,474,562 B2 * 7/2013 Elhardt et al. 180/89.12
D692,466 S * 10/2013 Takagi et al. D15/28
2009/0236876 A1 * 9/2009 Sawai et al. 296/193.11
2013/0062904 A1 * 3/2013 Elhardt et al. 296/70

* cited by examiner

Primary Examiner — Mark Goodwin

(74) *Attorney, Agent, or Firm* — Marshall, Gerstein & Borun LLP

(57) **CLAIM**

The ornamental design for a cab console for a wheeled loading shovel vehicle, as shown and described.

DESCRIPTION

FIG. 1 is a front, left side, and top view of a cab console for a wheeled loading shovel vehicle showing our new design.

FIG. 2 is a top plan view of the cab console.

FIG. 3 is a front elevation view of the cab console.

FIG. 4 is an enlarged left side elevation view.

FIG. 5 is an enlarged right side elevation view.

FIG. 6 is a bottom plan view.

FIG. 7 is a view along the direction of the steering column.

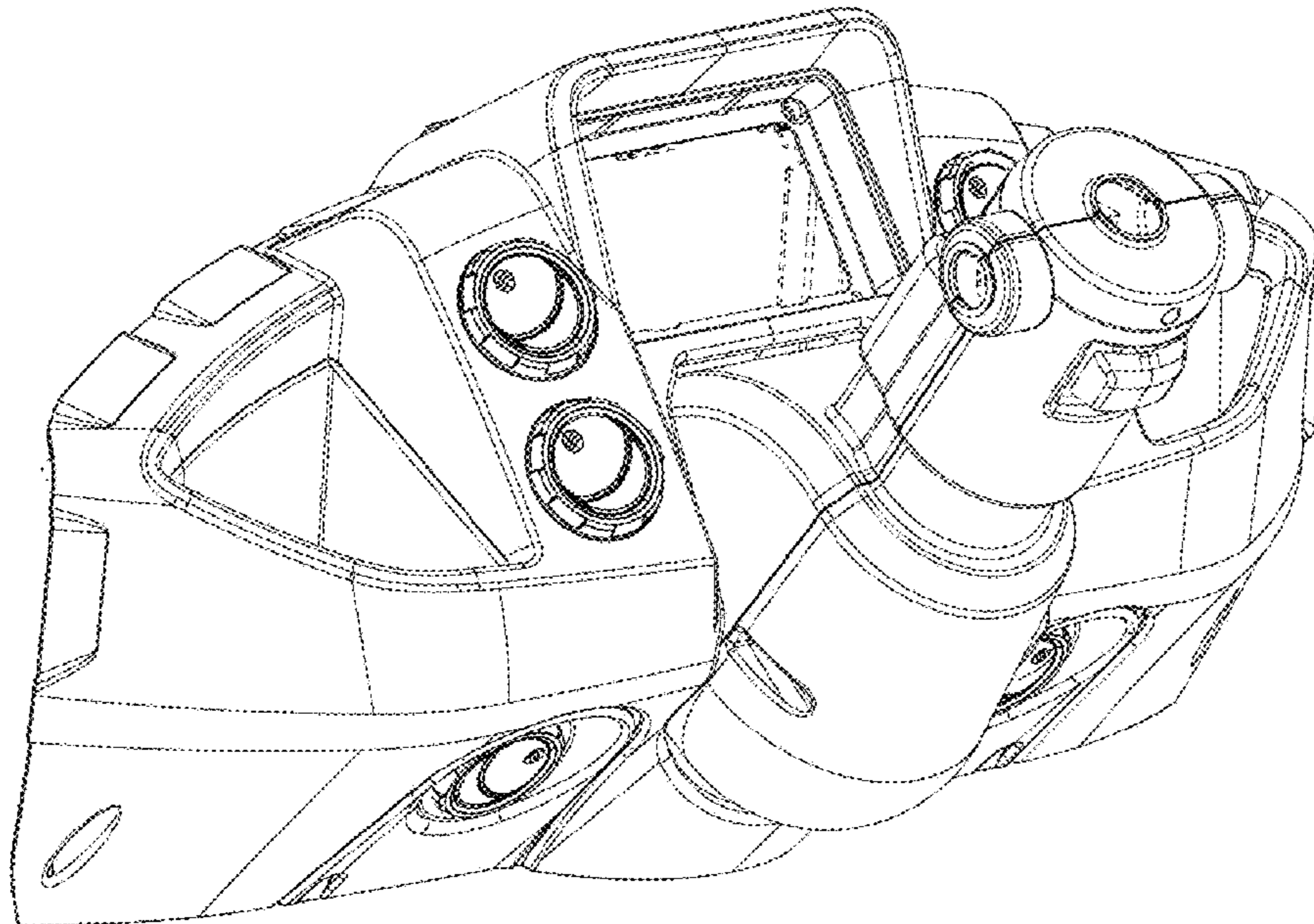
FIG. 8 is a back, left side, and top view.

FIG. 9 is a front, right side, and top view; and,

FIG. 10 is a back, right side, and top view.

The broken line showing of the elements of the cab console for a wheeled loading shovel vehicle is included for the purpose of illustrating environmental structure only and forms no part of the claimed design.

1 Claim, 8 Drawing Sheets



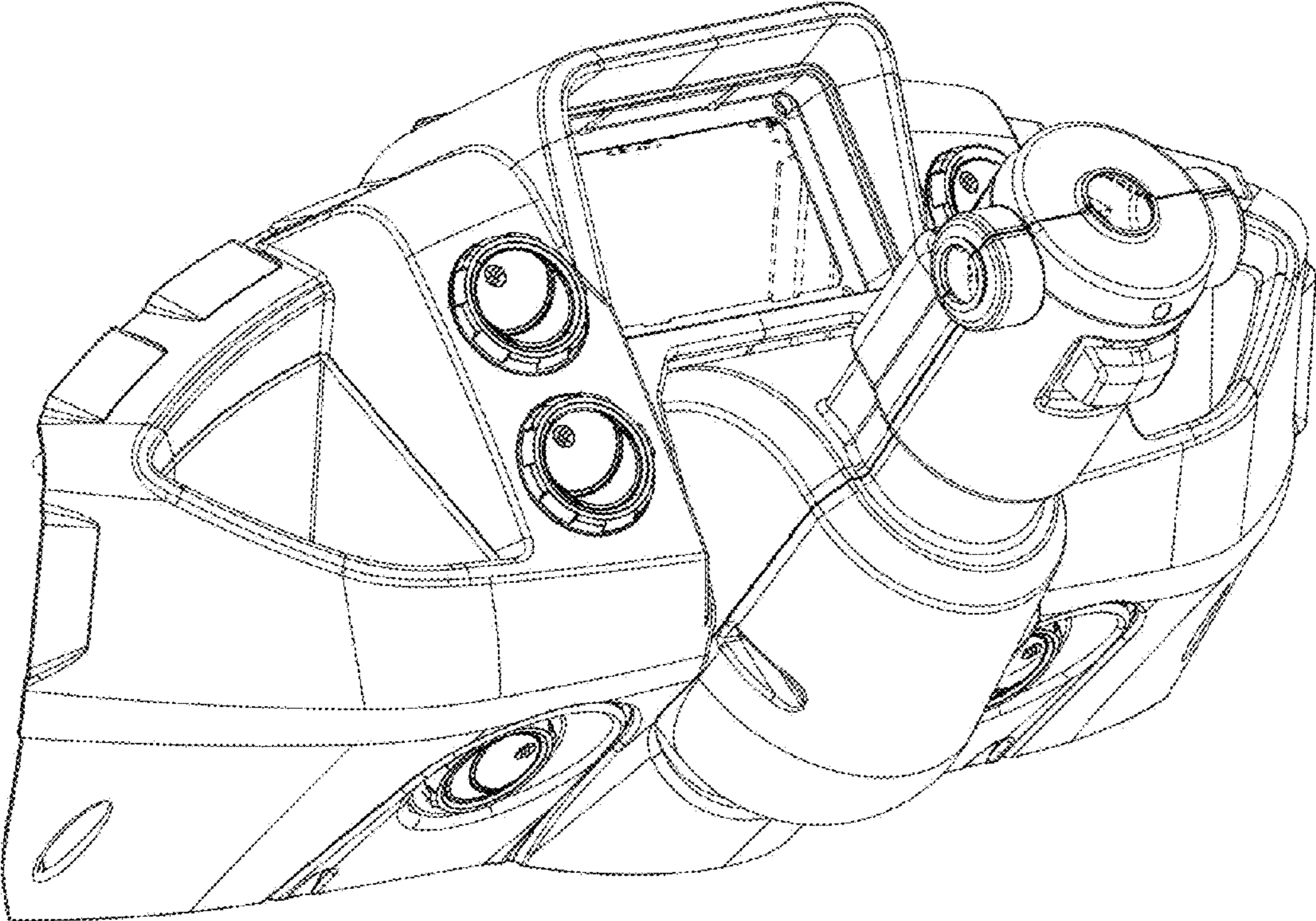


Fig. 1

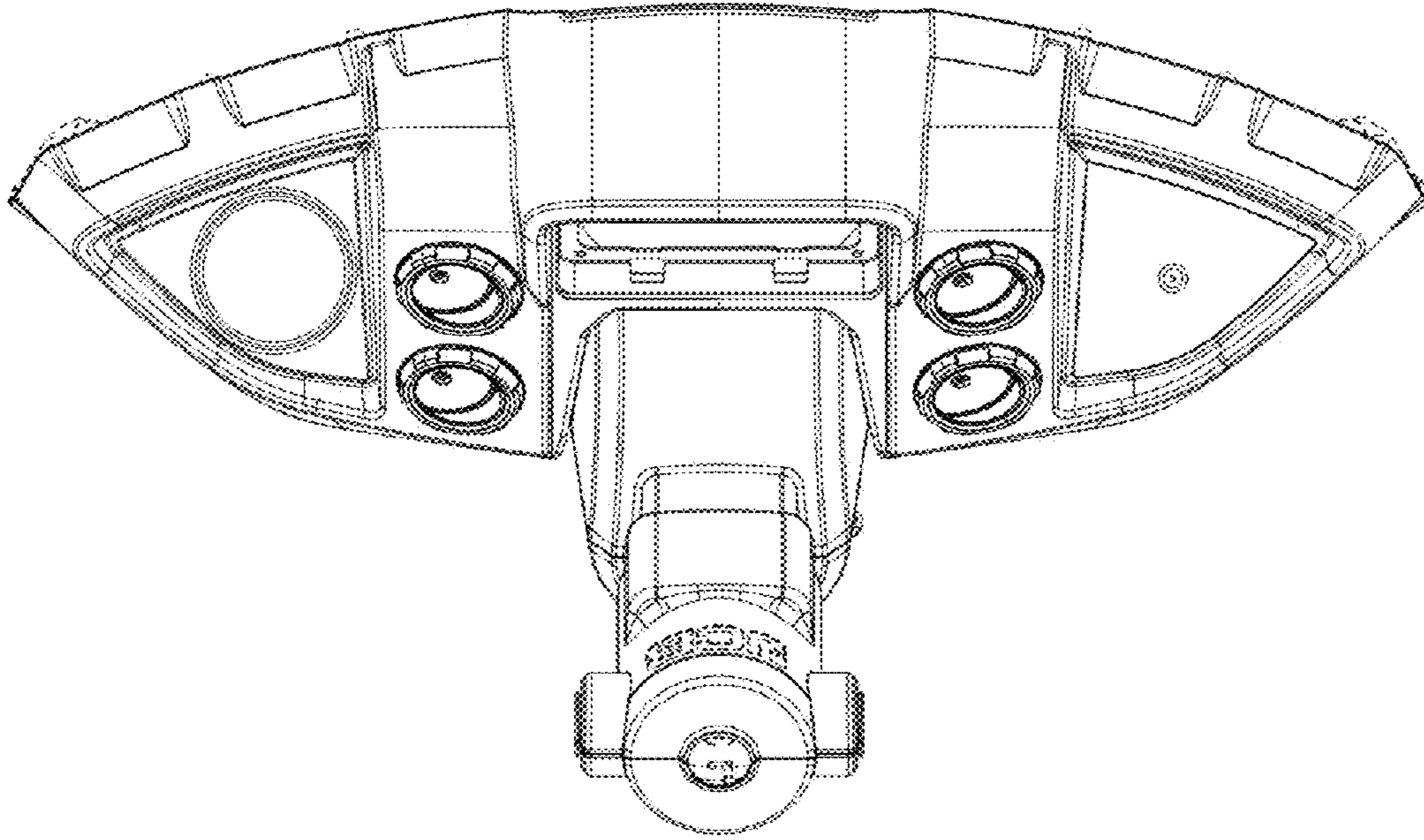


Fig. 2

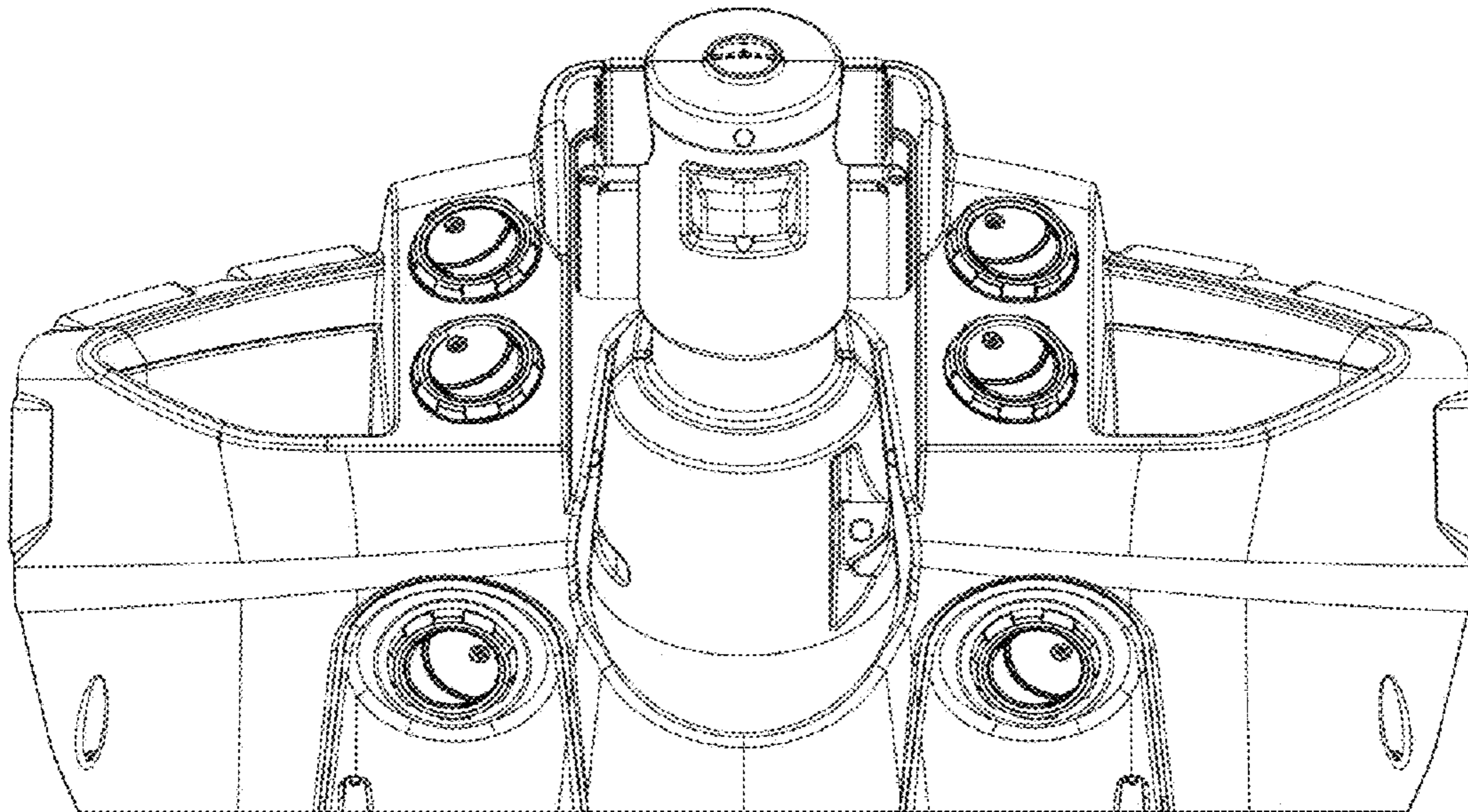


Fig. 3

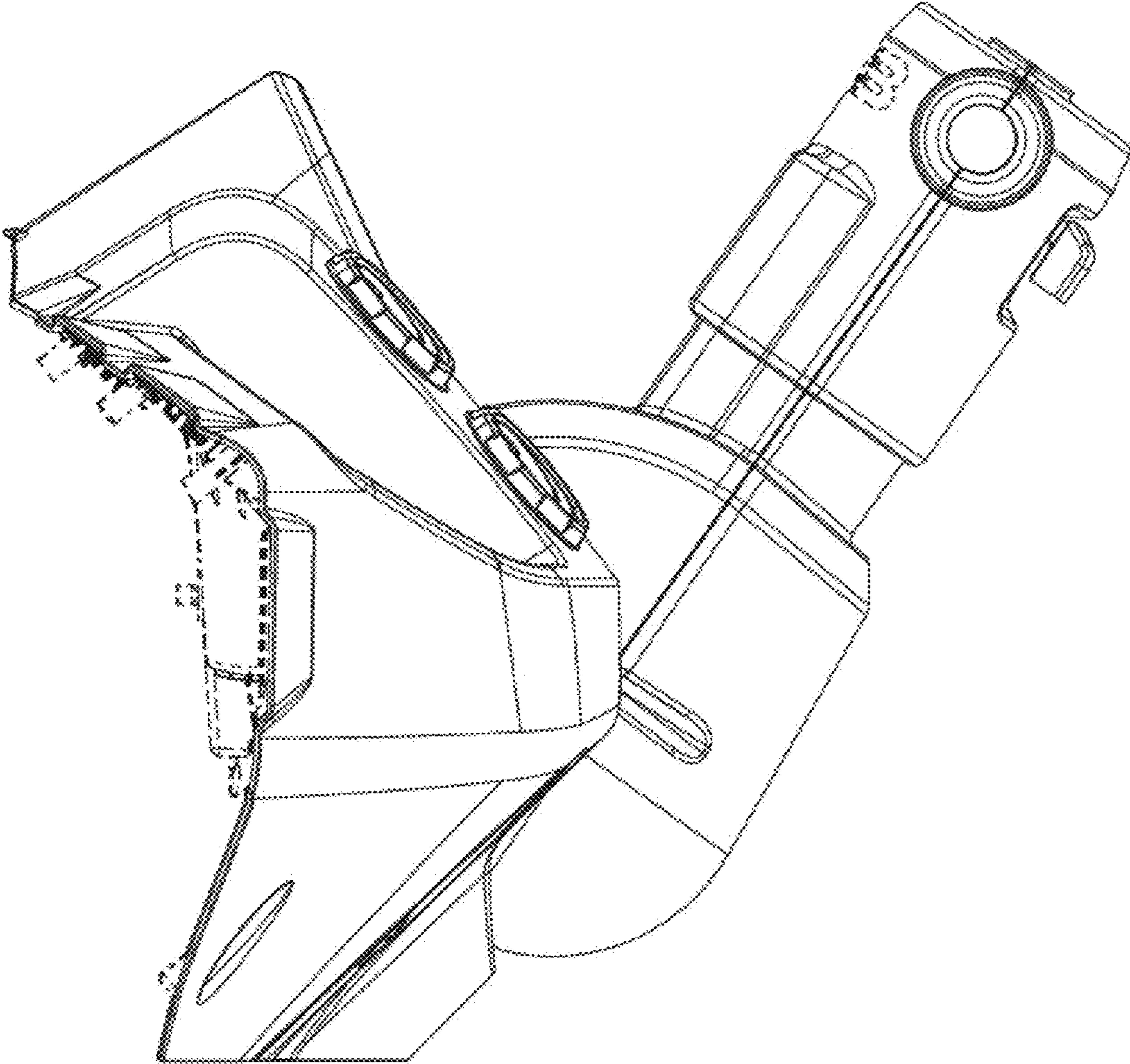


Fig. 4

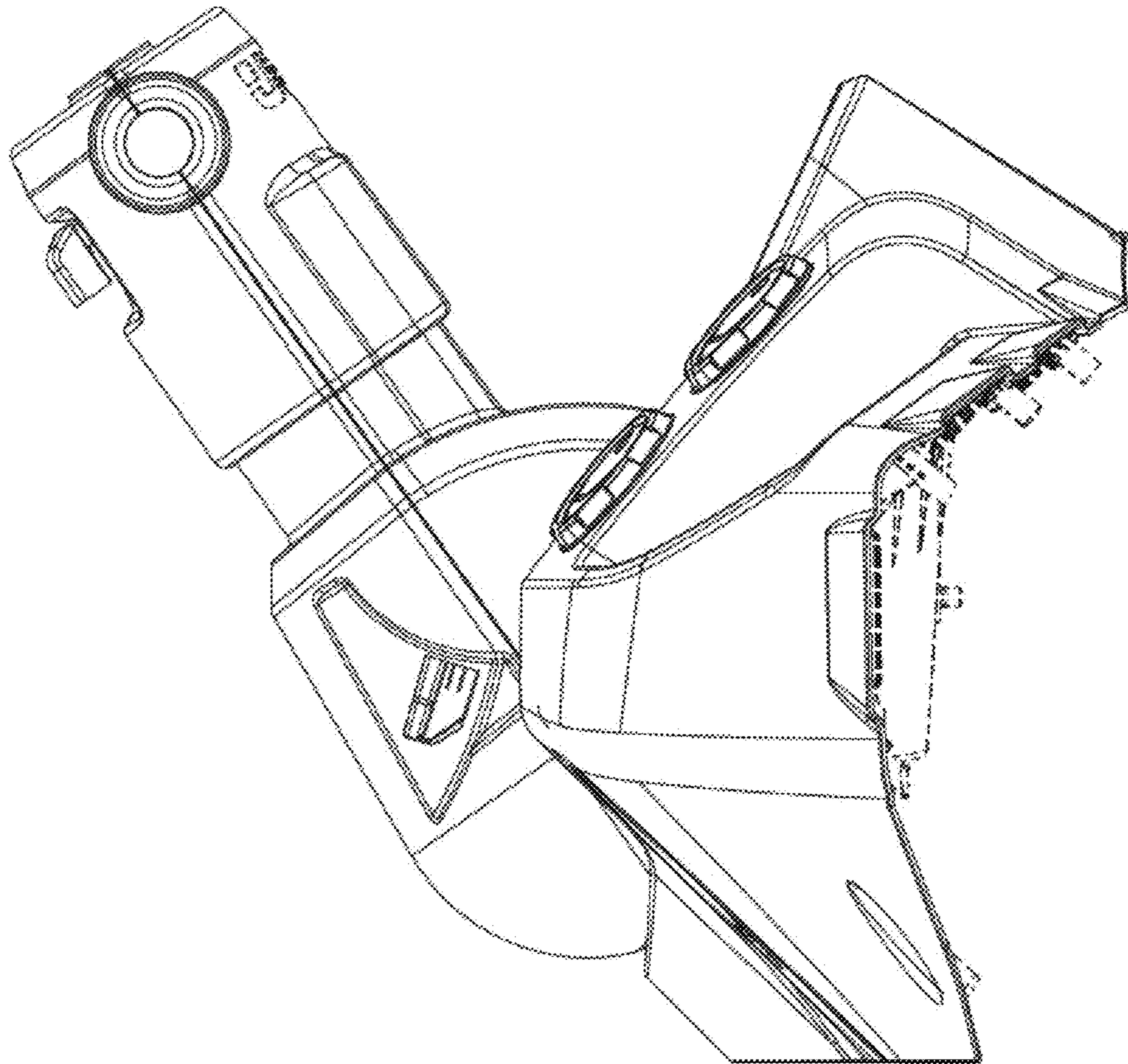


Fig. 5

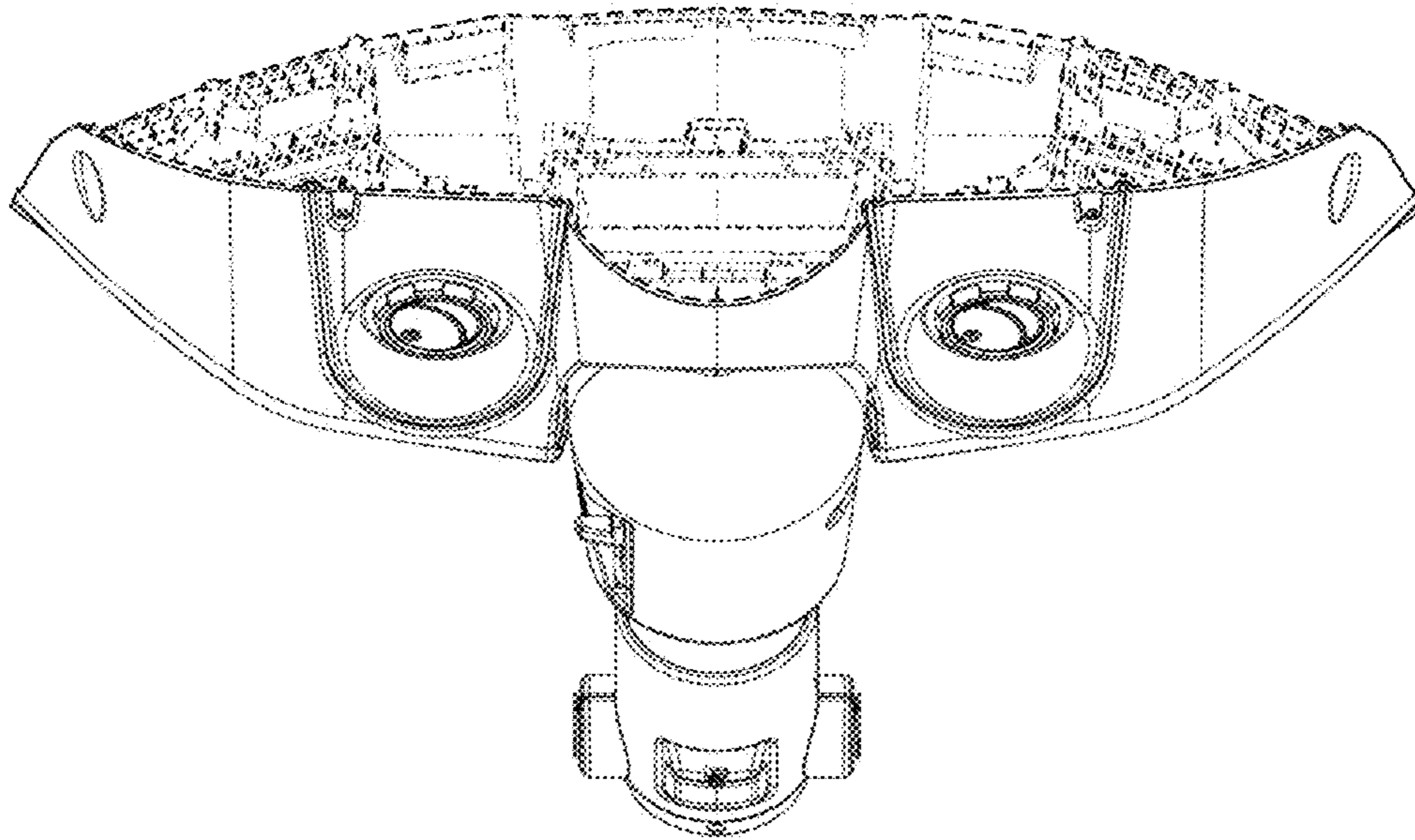


Fig. 6

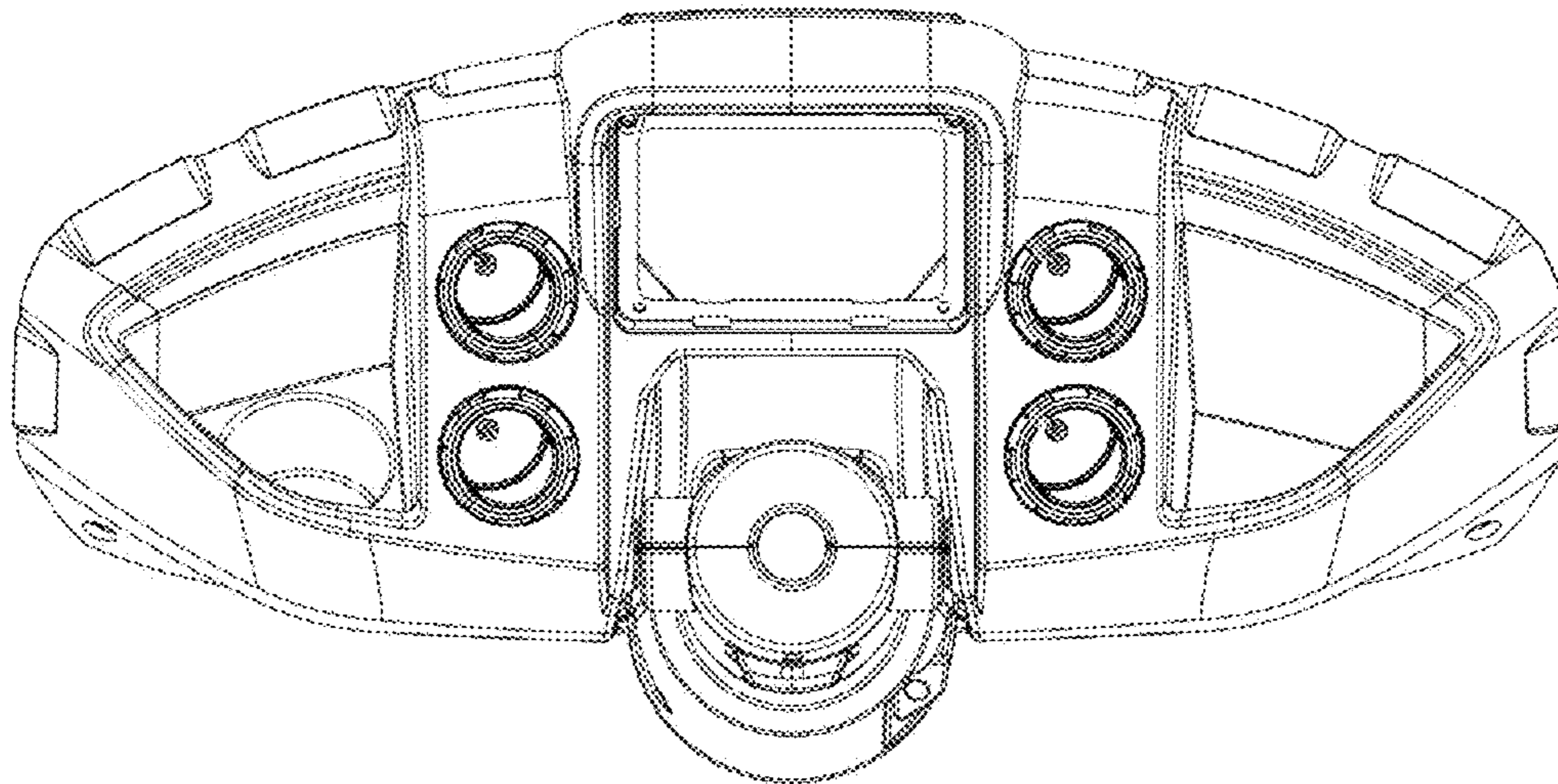


Fig. 7

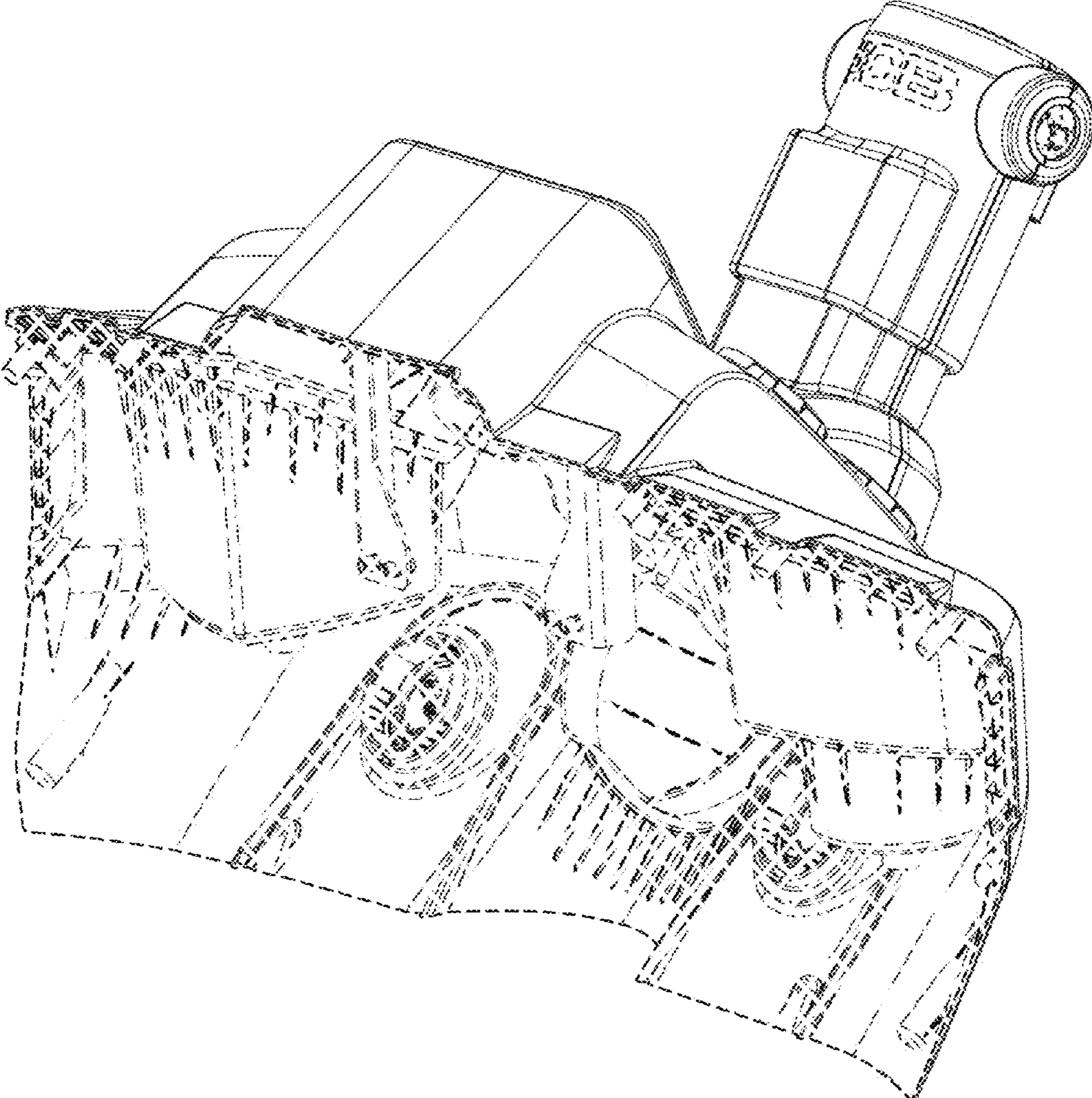


Fig. 8

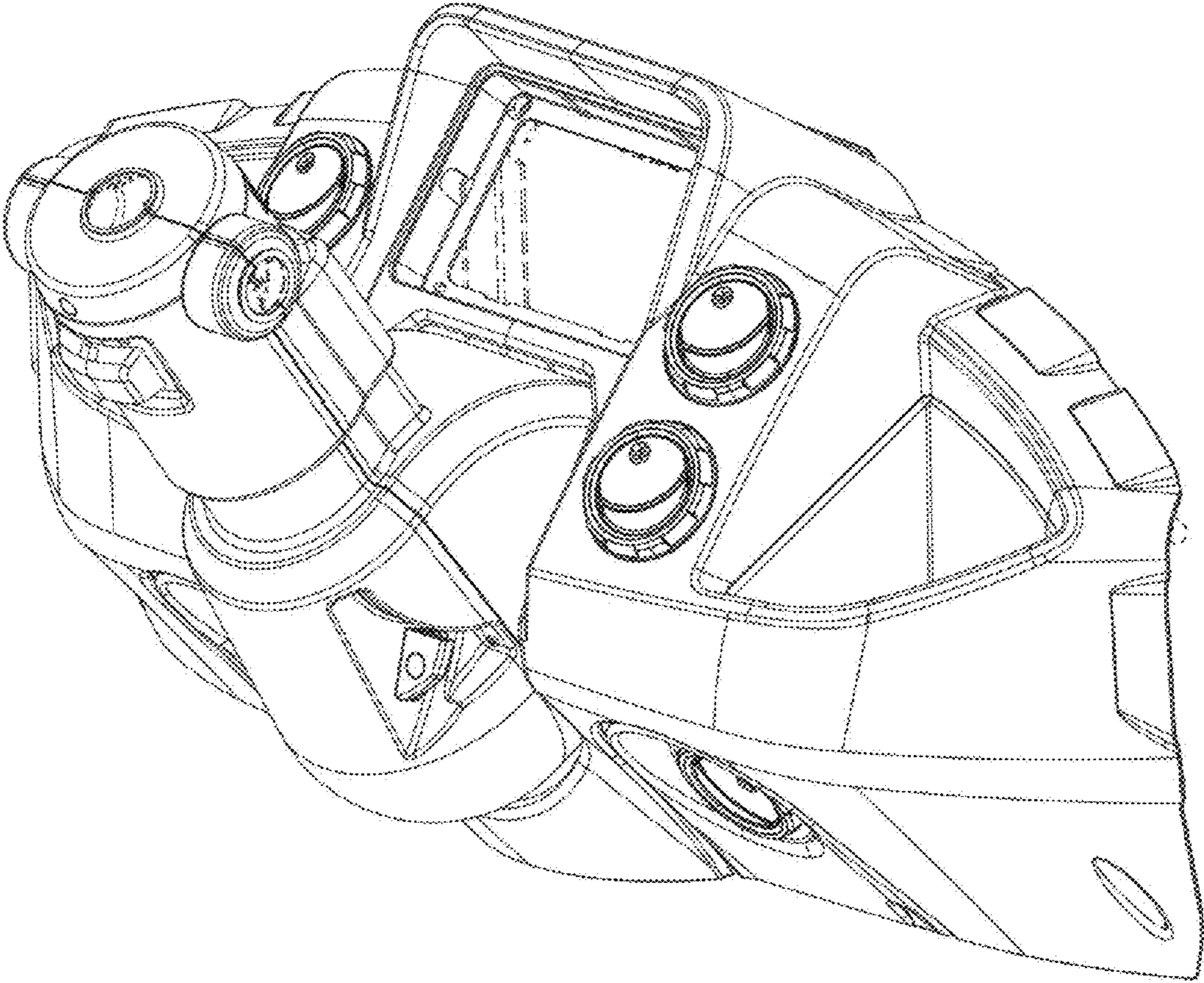


Fig. 9

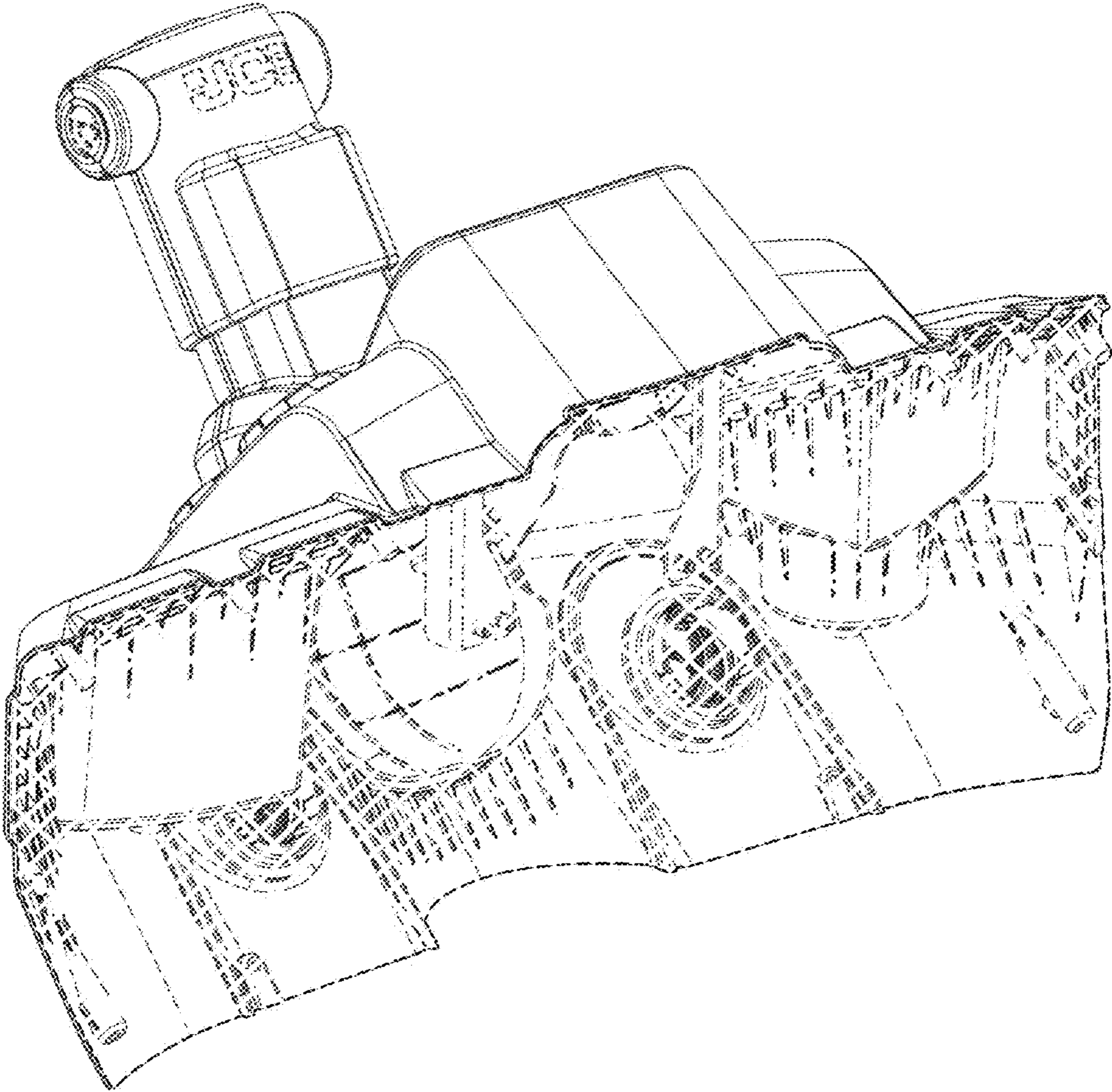


Fig. 10