



US00D754210S

(12) **United States Design Patent**
Margutti et al.

(10) **Patent No.:** **US D754,210 S**
(45) **Date of Patent:** **** Apr. 19, 2016**

(54) **TRACTOR**

(71) Applicant: **SAME DEUTZ-FAHR GROUP S.p.A.**,
Treviglio, Bergamo (IT)

(72) Inventors: **Pierangelo Margutti**, Bergamo (IT);
Alessandro Plebani, Bergamo (IT)

(73) Assignee: **SAME DEUTZ-FAHR GROUP S.p.A.**,
Treviglio, Bergamo (IT)

(**) Term: **14 Years**

(21) Appl. No.: **29/508,839**

(22) Filed: **Nov. 12, 2014**

(51) **LOC (10) Cl.** **12-09**

(52) **U.S. Cl.**
USPC **D15/23**

(58) **Field of Classification Search**
USPC D15/10, 14-15, 22-26, 30, 33
CPC . A01D 2101/00; B62D 33/06; B62D 33/0617
See application file for complete search history.

(56) **References Cited**

U.S. PATENT DOCUMENTS

D247,624 S *	3/1978	Emundts	D15/23
D256,017 S *	7/1980	Emundts	D15/23
D274,524 S *	7/1984	Koval	D15/23
D329,435 S *	9/1992	Katoh	D15/23
D387,068 S *	12/1997	Kato	D15/23

D391,581 S *	3/1998	Kato	D15/23
D440,234 S *	4/2001	Katoh	D15/23
D498,245 S *	11/2004	Kuwae	D15/23
D519,130 S *	4/2006	Higashikawa	D15/23
D519,131 S *	4/2006	Kuwae	D15/23
D527,026 S *	8/2006	Kuwae	D15/23
D555,674 S *	11/2007	Kuwae	D15/23
D564,544 S *	3/2008	Higashikawa	D15/23
D602,047 S *	10/2009	Kushita	D15/23
D604,749 S *	11/2009	Kushita	D15/23
D641,027 S *	7/2011	Kawashiri	D15/23
D668,270 S *	10/2012	Kushita	D15/23
D674,819 S *	1/2013	Hagele	D15/23
D693,374 S *	11/2013	Chlystek	D15/23
D693,375 S *	11/2013	Chlystek	D15/23
D703,699 S *	4/2014	Shimomura	D15/23
D729,851 S *	5/2015	Kushita	D15/23

* cited by examiner

Primary Examiner — Mitchell Siegel

(74) *Attorney, Agent, or Firm* — Merchant & Gould P.C.

(57) **CLAIM**

The ornamental design for a tractor, as shown and described.

DESCRIPTION

FIG. 1 is a perspective view of a tractor showing our new design;

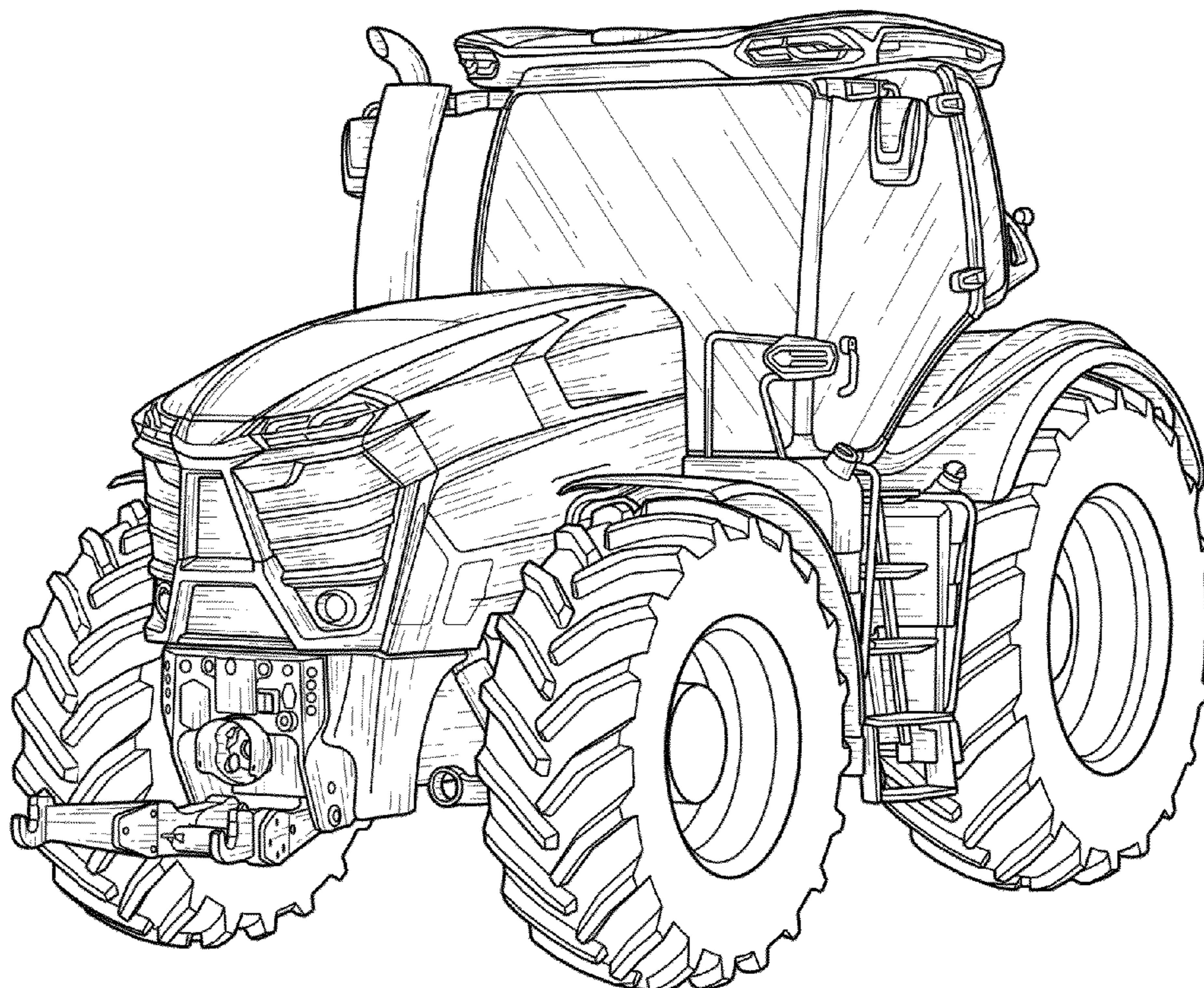
FIG. 2 is a left side view thereof;

FIG. 3 is a right side view thereof;

FIG. 4 is a front view thereof; and,

FIG. 5 is a rear view thereof.

1 Claim, 5 Drawing Sheets



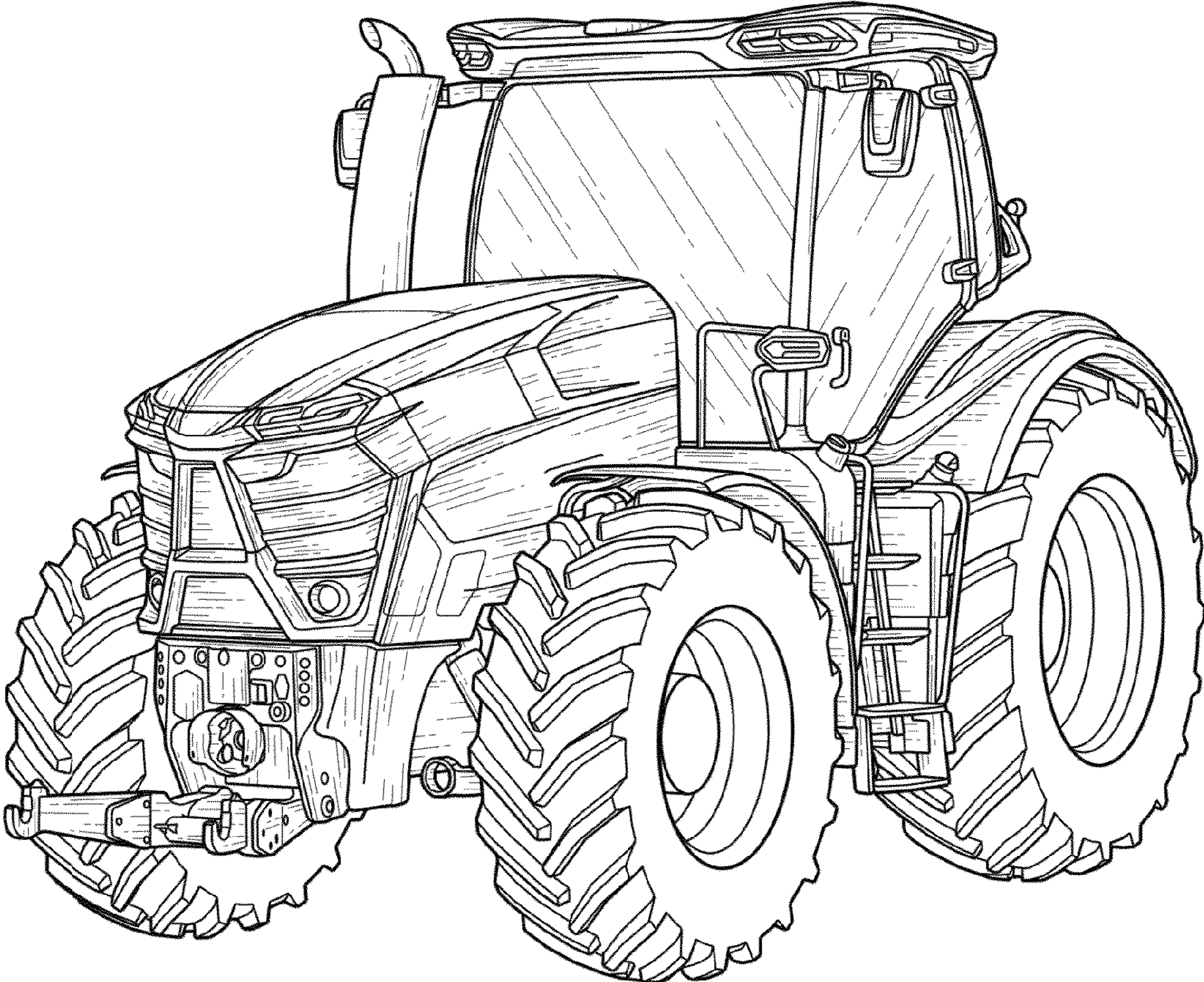


Fig. 1

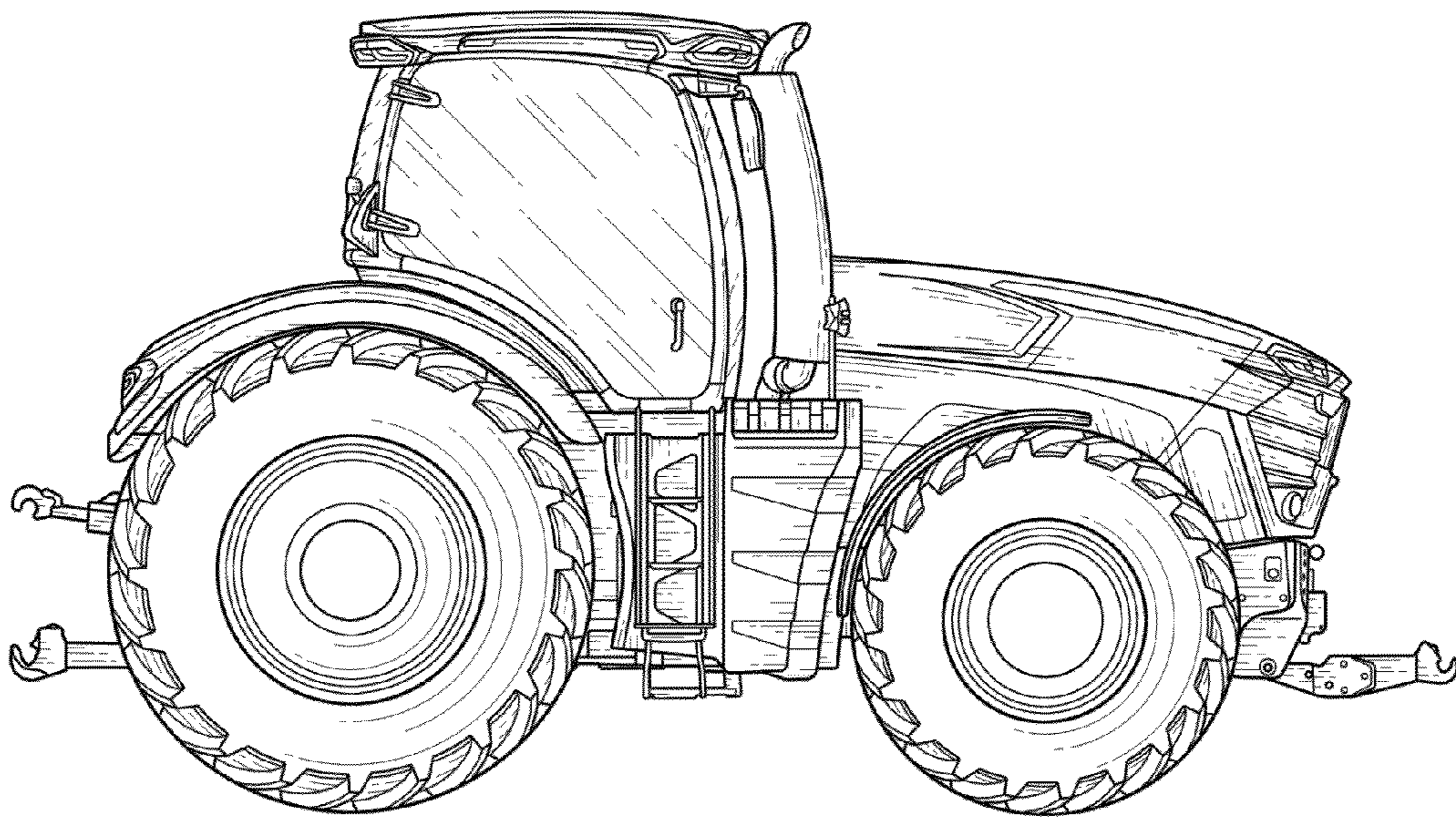


Fig.2

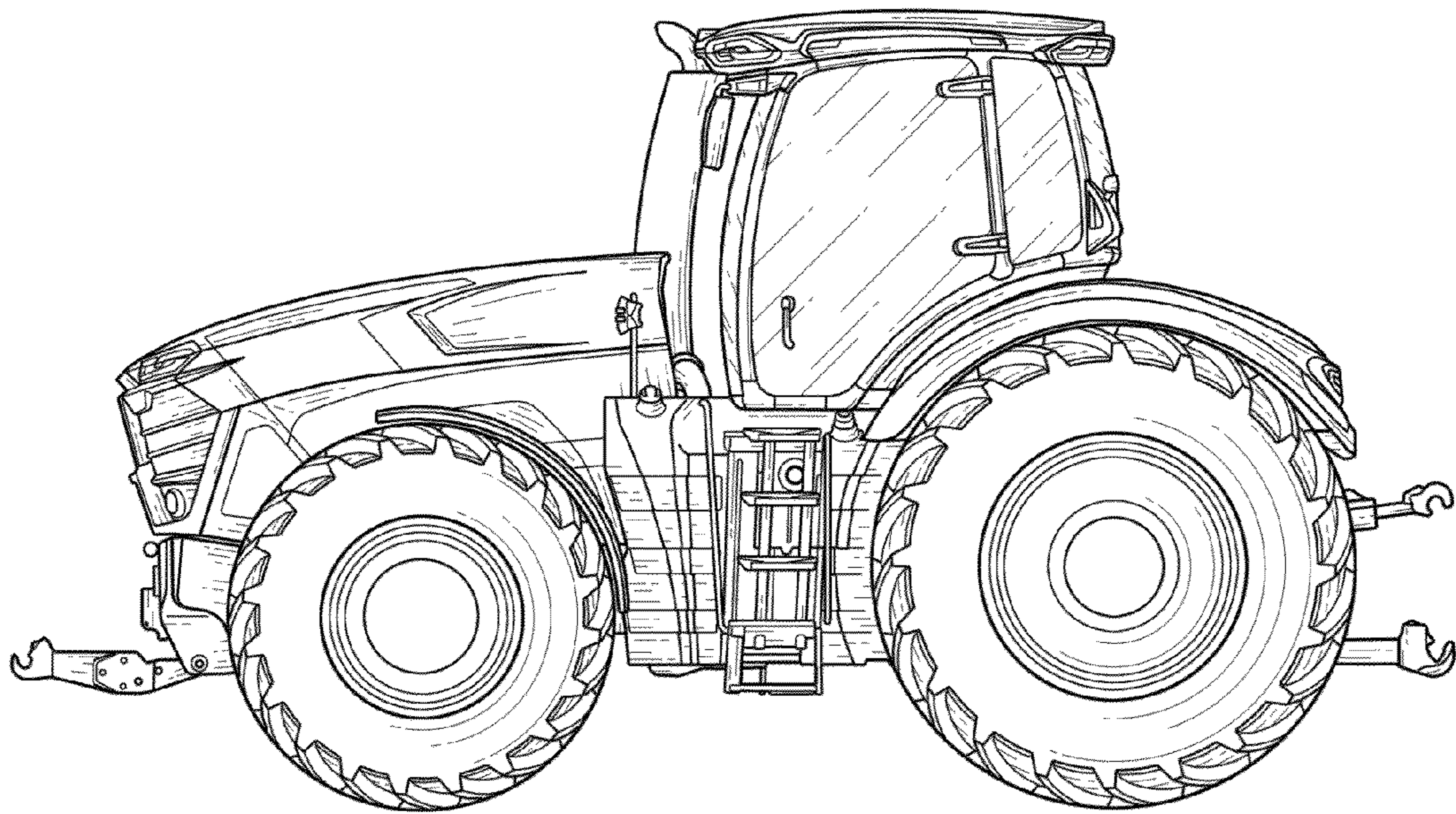


Fig.3

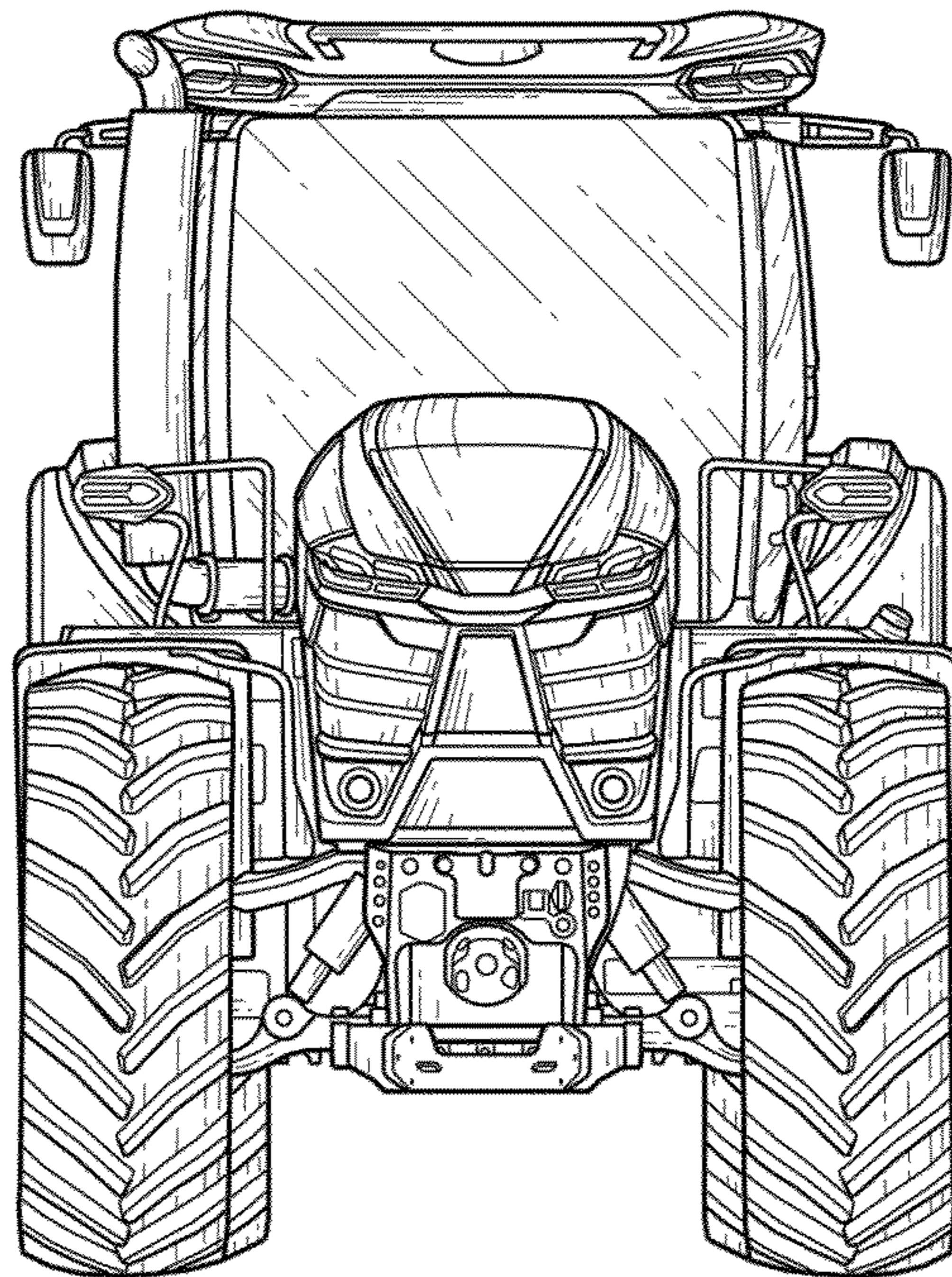


Fig.4

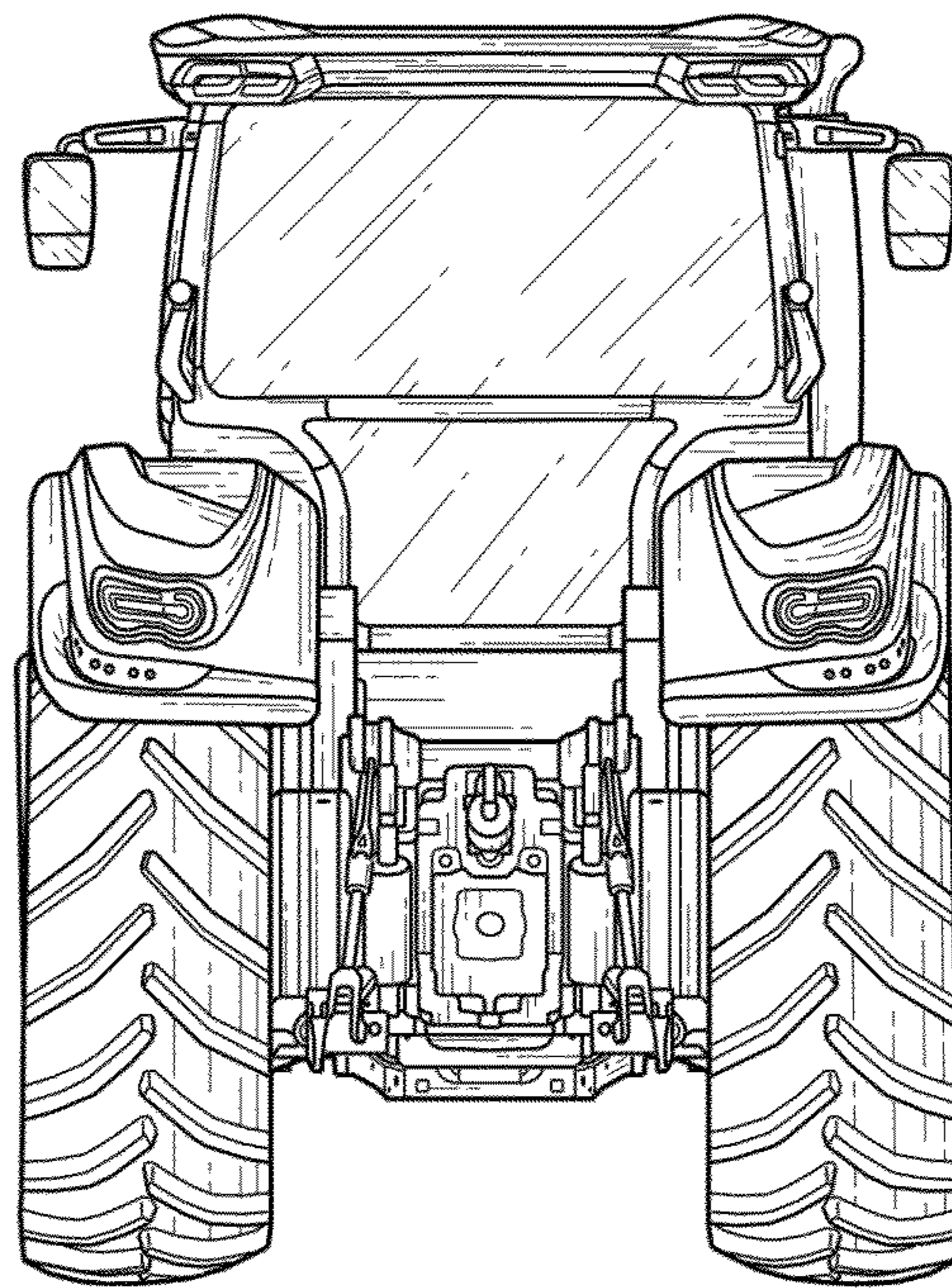


Fig.5