

US00D754209S

(12) **United States Design Patent**
Chou

(10) **Patent No.:** **US D754,209 S**
(45) **Date of Patent:** **** Apr. 19, 2016**

(54) **AIR COMPRESSOR**

(71) Applicant: **Wen-San Chou**, Tainan (TW)

(72) Inventor: **Wen-San Chou**, Tainan (TW)

(**) Term: **14 Years**

(21) Appl. No.: **29/521,059**

(22) Filed: **Mar. 19, 2015**

(51) **LOC (10) Cl.** **15-01**

(52) **U.S. Cl.**
USPC **D15/7**

(58) **Field of Classification Search**
USPC D15/7-9; D23/231, 232, 225; 417/60,
417/235, 265, 321, 355, 358, 363, 359,
417/410.1, 415-416, 405, 900; 60/408,
60/412; 184/26-37; 415/140-147;
123/495, 509; 137/565.34
CPC F02M 37/04; F02M 37/14
See application file for complete search history.

(56) **References Cited**

U.S. PATENT DOCUMENTS

D498,767 S	*	11/2004	Chou	D15/7
D499,426 S	*	12/2004	Chou	D15/7
D582,945 S	*	12/2008	Chou	D15/9
D626,571 S	*	11/2010	Eckhardt	D15/9
D627,795 S	*	11/2010	Eckhardt	D15/9

D629,424 S	*	12/2010	Eckhardt	D15/9
D644,252 S	*	8/2011	Kojima	D15/9
D657,801 S	*	4/2012	Eckhardt	D15/9
D672,368 S	*	12/2012	Wong	D15/9
D678,351 S	*	3/2013	Wong	D15/9
D703,241 S	*	4/2014	Eckhardt	D15/9
D722,618 S	*	2/2015	Wong	D15/9
D723,588 S	*	3/2015	Wang	D15/9
D727,973 S	*	4/2015	Jhou	D15/9
D734,367 S	*	7/2015	Jhou	D15/9

* cited by examiner

Primary Examiner — Ralf Seifert

(57) **CLAIM**

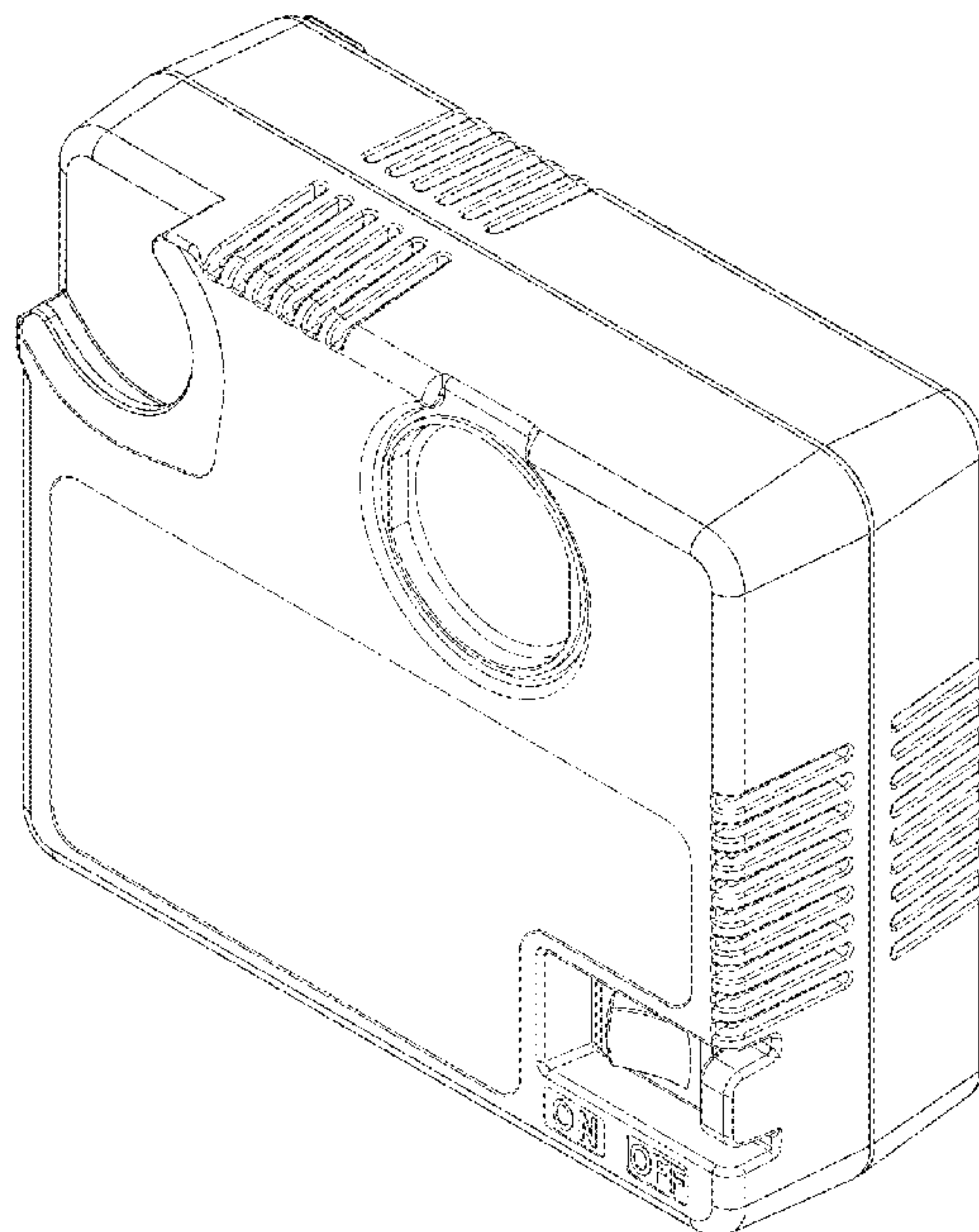
The ornamental design for an air compressor, as shown.

DESCRIPTION

FIG. 1 is a first perspective view of an air compressor showing my new design thereof;
FIG. 2 is a front elevational view thereof;
FIG. 3 is a rear elevational view thereof;
FIG. 4 is a left side elevational view thereof;
FIG. 5 is a right side elevational view thereof;
FIG. 6 is a top plan view thereof;
FIG. 7 is a bottom plan view thereof; and,
FIG. 8 is a second perspective view of an air compressor showing my new design thereof.

The broken lines are included for the purpose of illustrating portions of the air compressor that form no part of the claimed design.

1 Claim, 8 Drawing Sheets



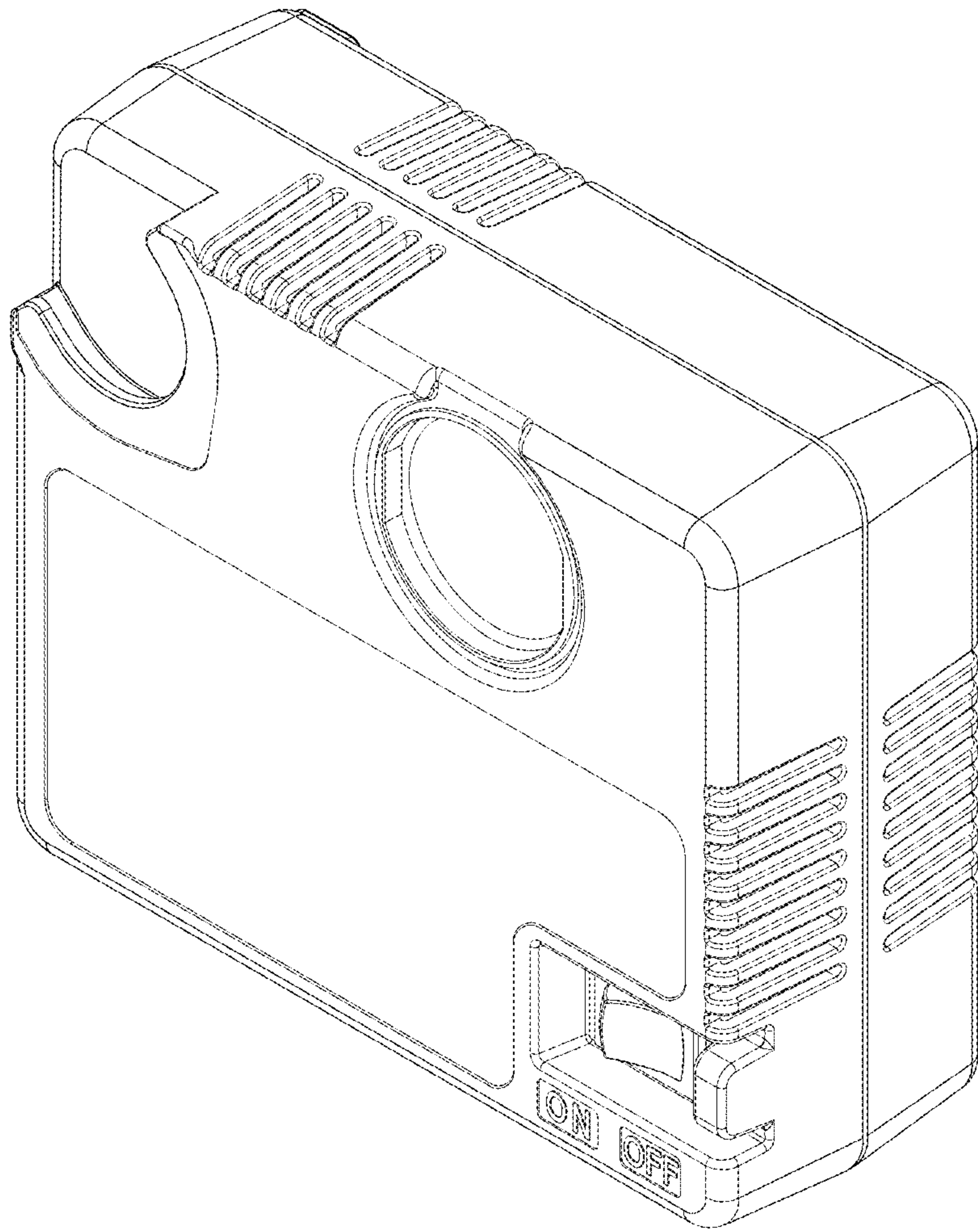


FIG. 1

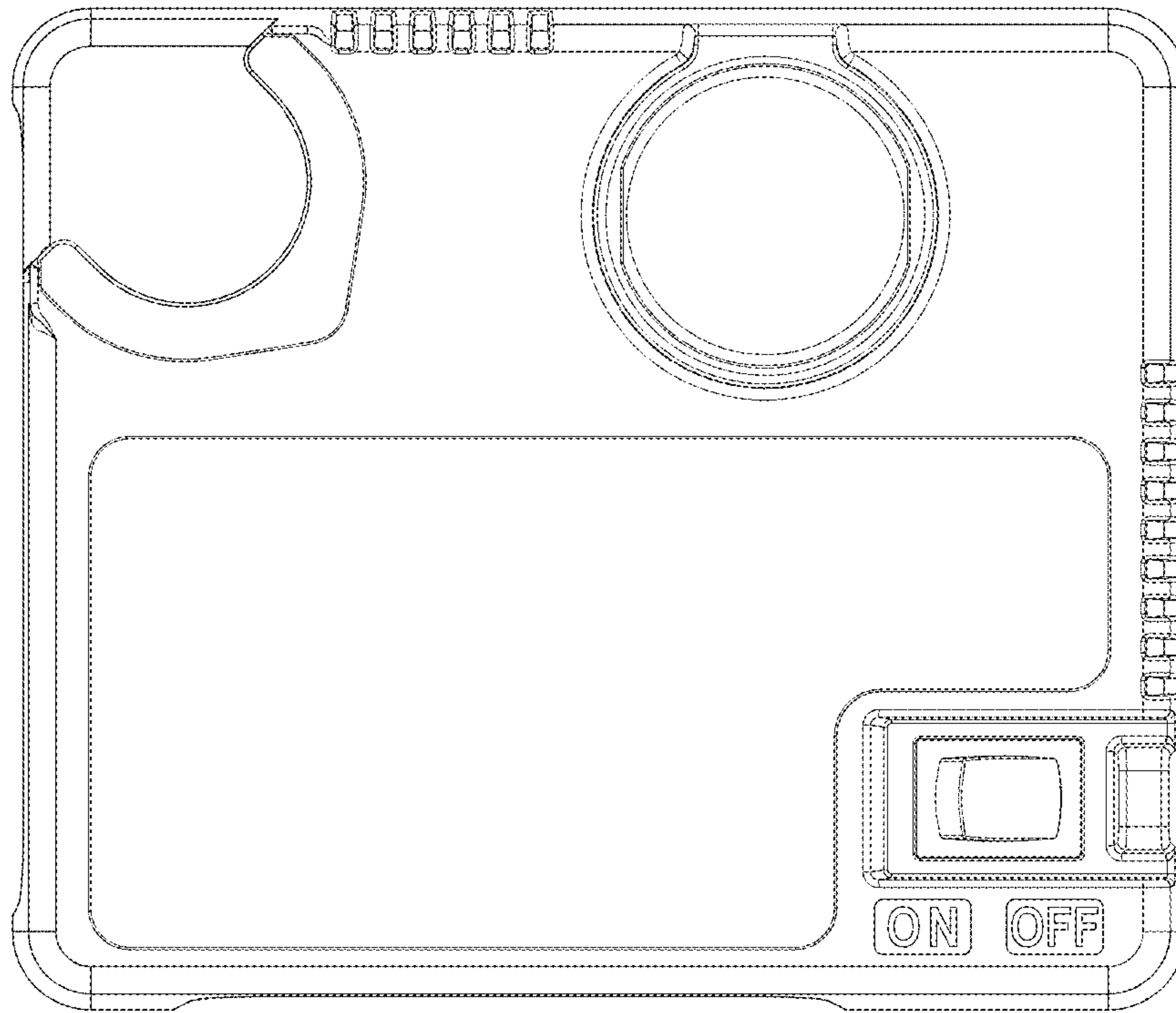


FIG. 2

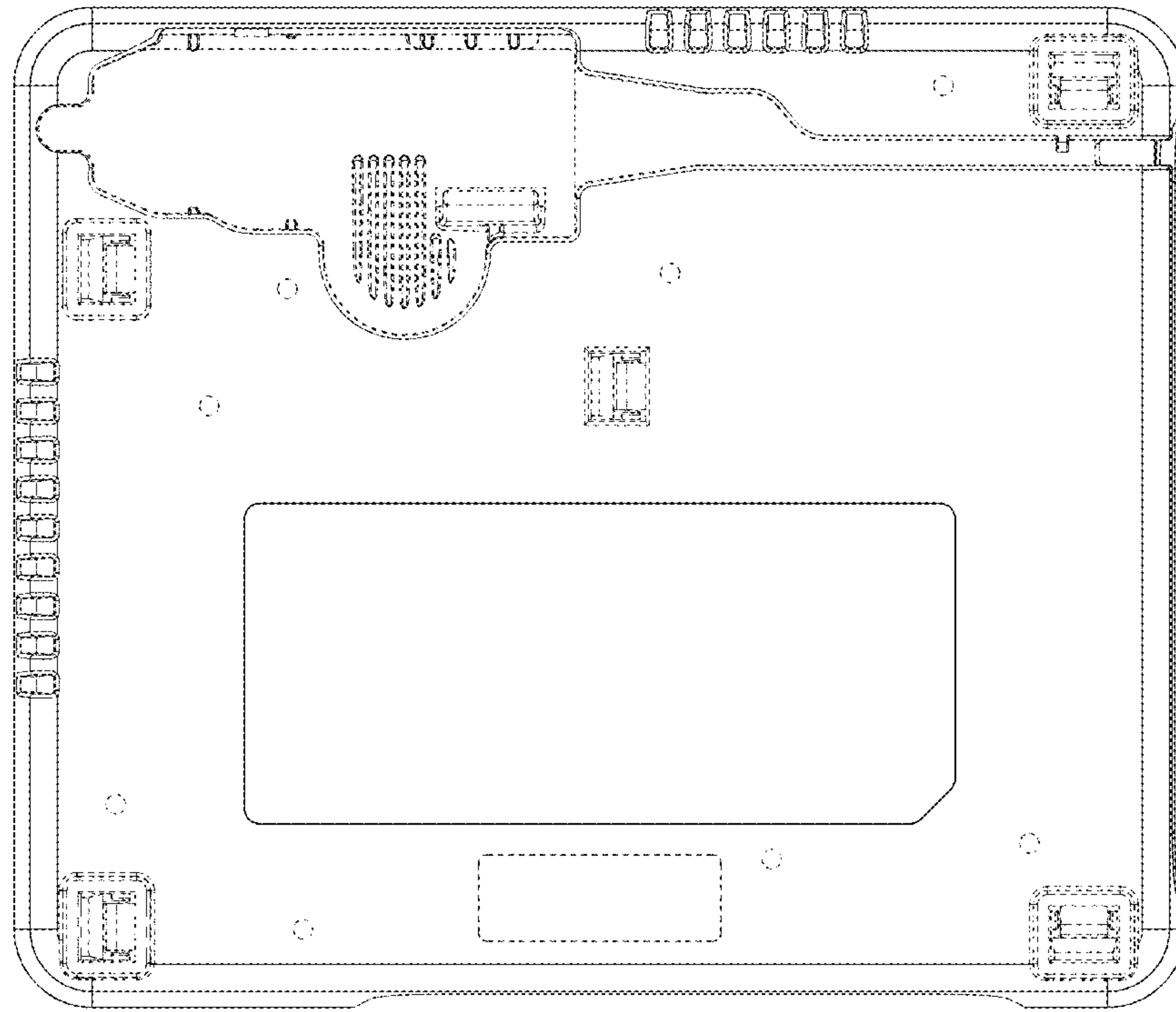


FIG. 3

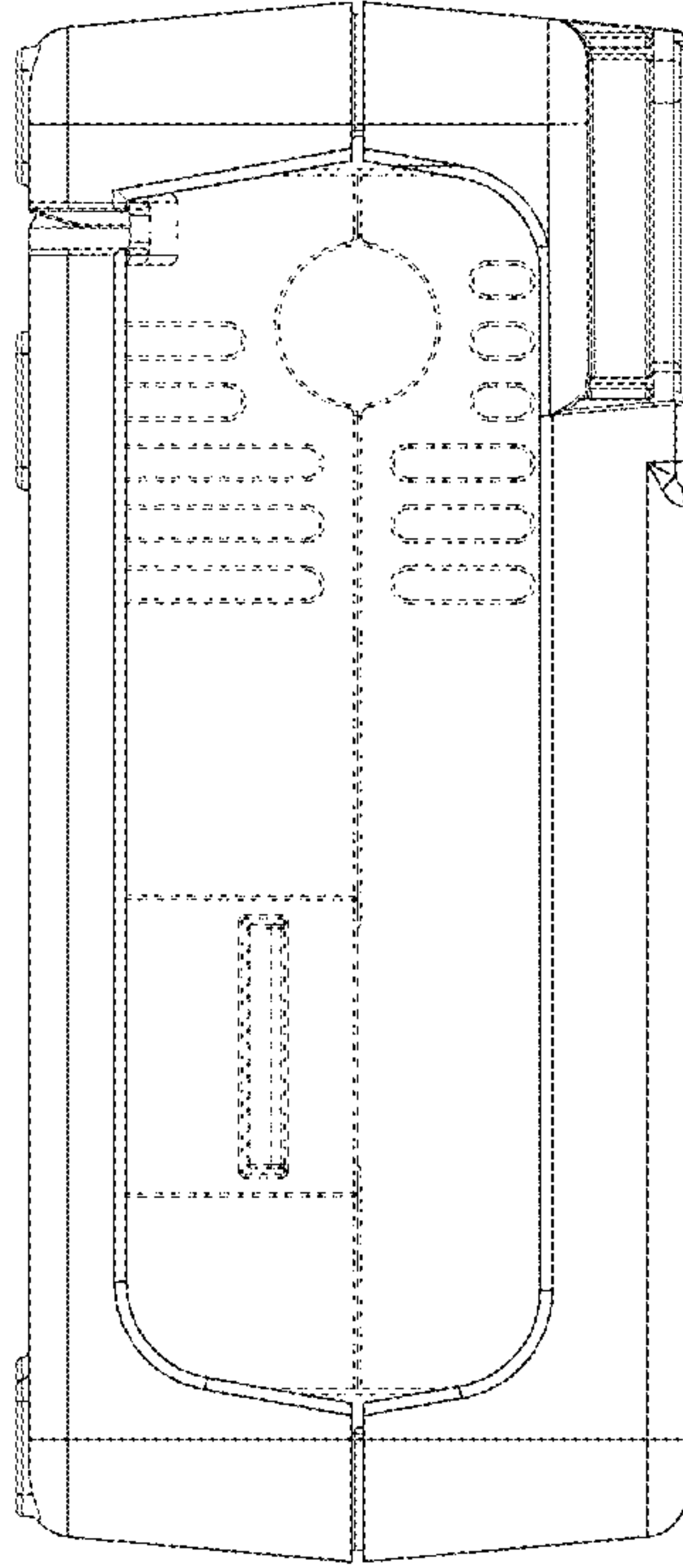


FIG. 4

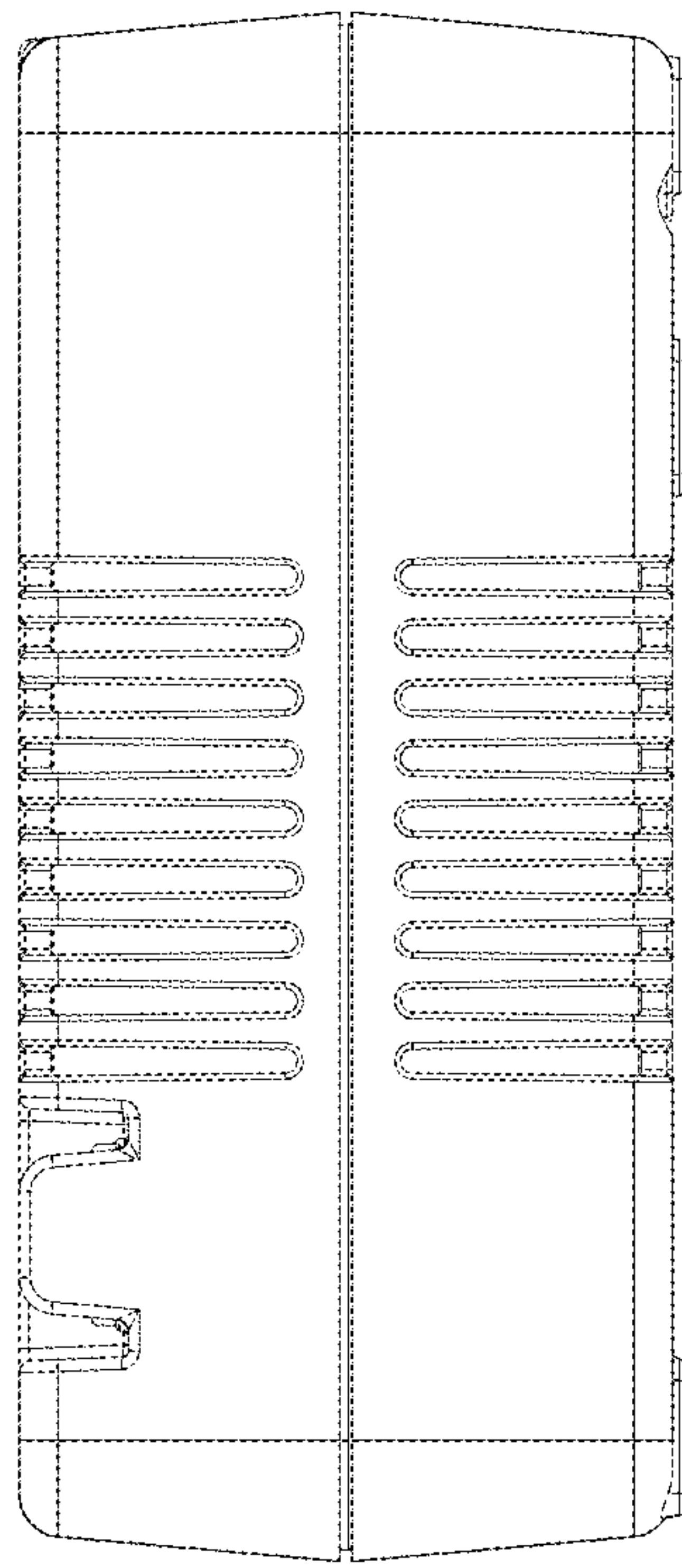


FIG. 5

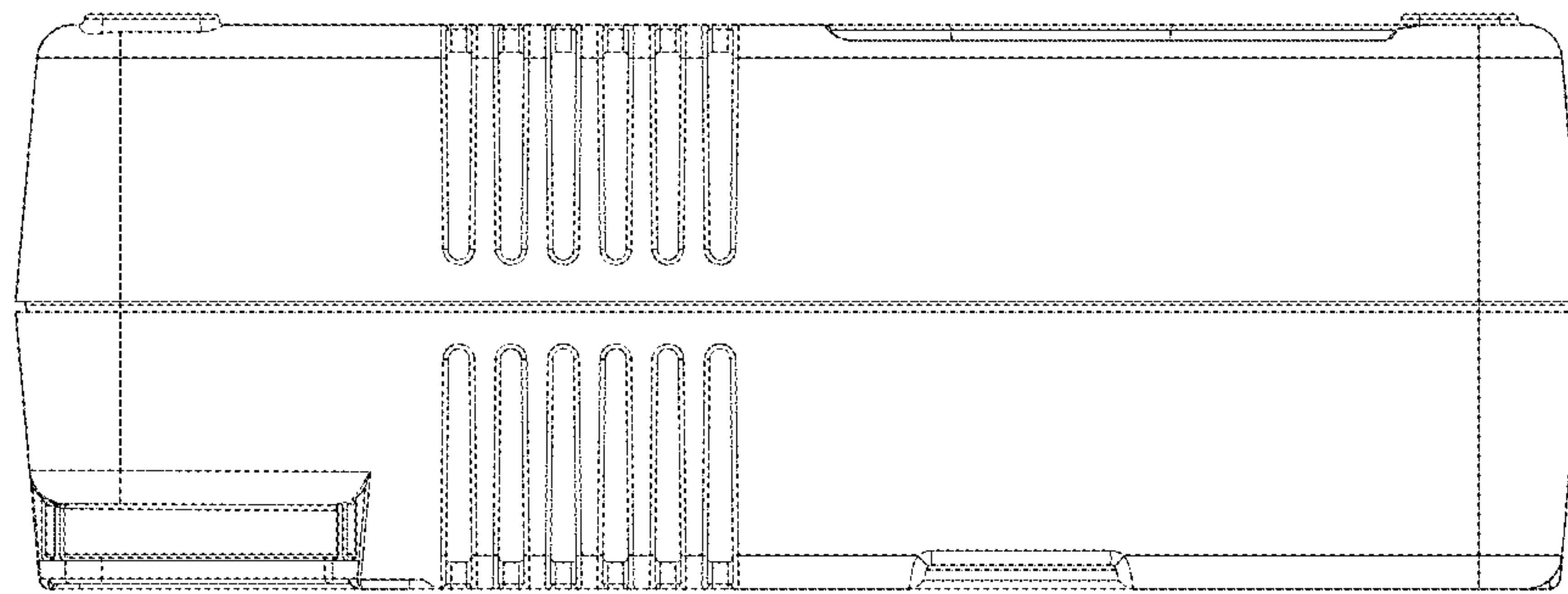


FIG. 6

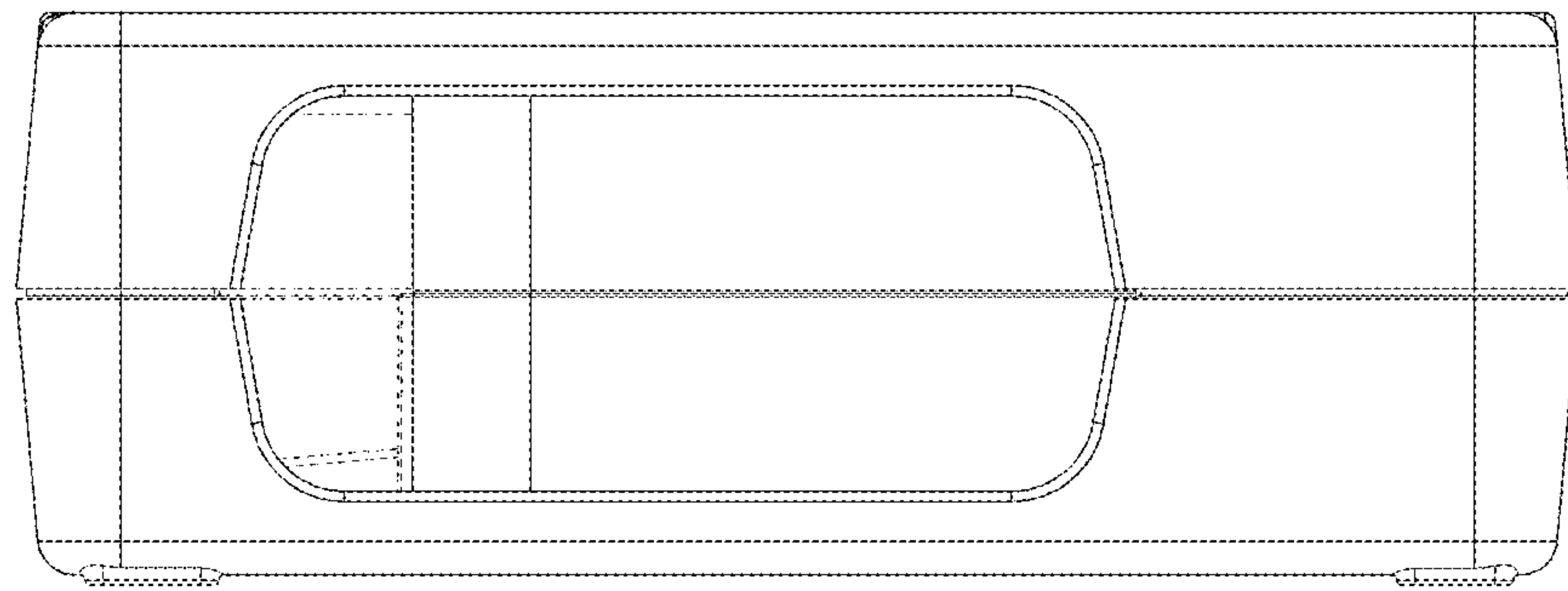


FIG. 7

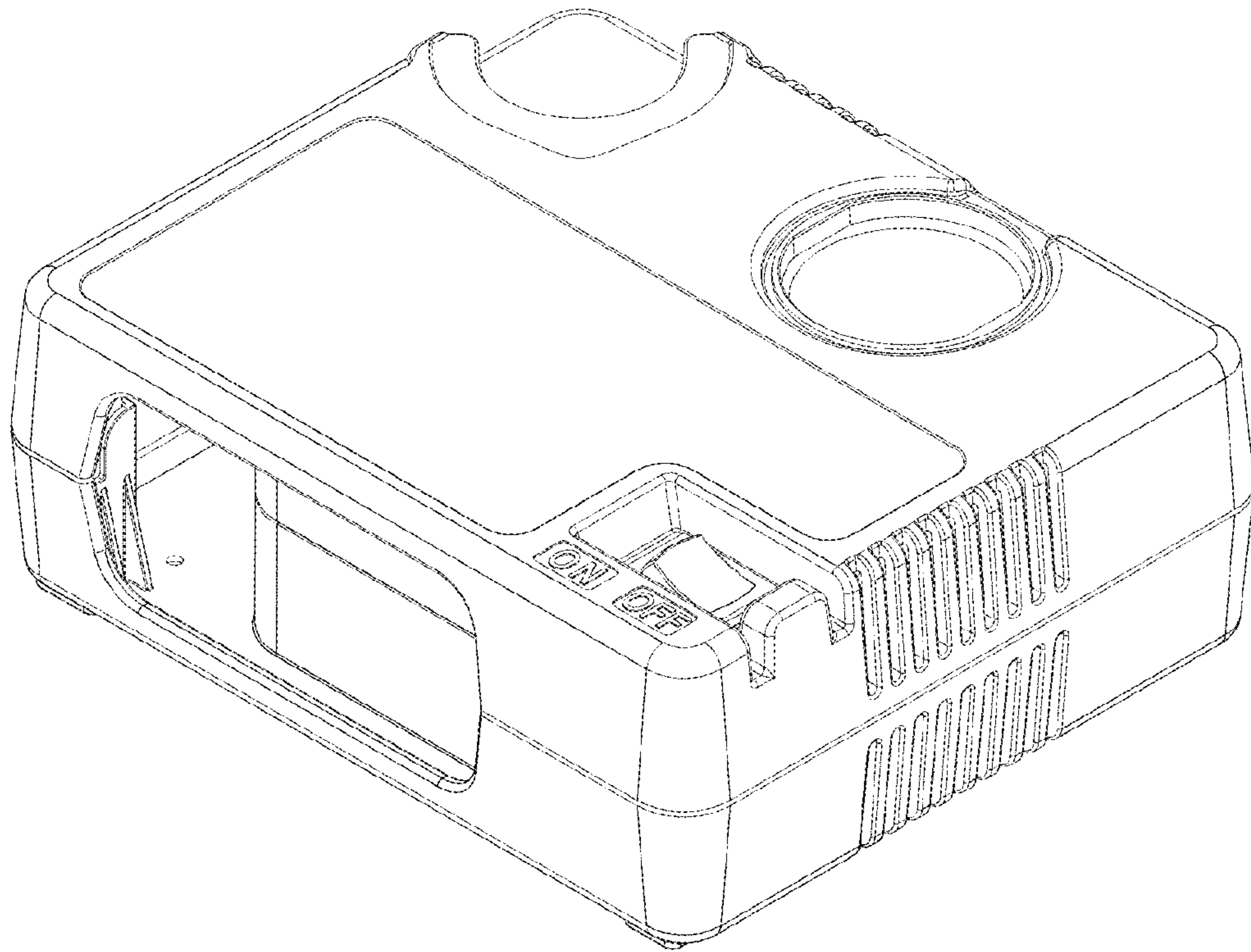


FIG. 8