



US00D754205S

(12) **United States Design Patent**
Nguyen et al.

(10) **Patent No.:** **US D754,205 S**
(45) **Date of Patent:** **** Apr. 19, 2016**

(54) **ELECTRONIC DEVICE**

(71) Applicant: **Vocollect, Inc.**, Pittsburgh, PA (US)

(72) Inventors: **Vinh-Duy Thai Nguyen**, Pittsburgh, PA (US); **Bryan DiPiazza**, Belle Vernon, PA (US); **Matthew Shope**, Belle Vernon, PA (US); **Richard Sharbaugh**, New Kensington, PA (US); **Timothy Fox**, Pittsburgh, PA (US); **Fernando Aguirre-Petrilli**, Pittsburgh, PA (US)

(73) Assignee: **Vocollect, Inc.**, Pittsburgh, PA (US)

(**) Term: **14 Years**

(21) Appl. No.: **29/513,410**

(22) Filed: **Dec. 30, 2014**

(51) **LOC (10) Cl.** **14-03**

(52) **U.S. Cl.**
USPC **D14/496; D14/203.3**

(58) **Field of Classification Search**
USPC D14/496, 401, 435, 474, 483, 217, 137, D14/138, 160, 168, 356, 203.1–203.8, 507; 345/156, 169, 173–179, 905; 715/727–729, 864; 710/1, 5, 8; 713/1, 713/600; 455/1.1, 1.7, 73, 344–347, 93, 95, 455/3.01–3.06, 550.1, 573.1; 370/342–344; 369/1, 2, 6–12; 463/43–47; 273/148 B
CPC A63F 9/00; A63F 9/24; A63F 13/00; G06F 17/00; G06F 19/00; G07F 17/32; H04M 1/00

See application file for complete search history.

(56) **References Cited**

U.S. PATENT DOCUMENTS

6,733,329	B2 *	5/2004	Yang	G06K 19/07732	439/518
6,807,591	B2 *	10/2004	Kao	G11B 20/10527	710/74
7,052,287	B1 *	5/2006	Ni	G06K 19/07732	439/660
7,074,052	B1 *	7/2006	Ni	H01R 13/6658	174/261
D537,808	S *	3/2007	Lee	D14/203.7	
D556,210	S *	11/2007	Choi	D14/496	
D563,434	S *	3/2008	Dai	D14/496	
D597,068	S *	7/2009	Whang	D14/203.7	
7,856,255	B2 *	12/2010	Tsuchiya	G06F 1/1616	200/11 TW
D643,401	S *	8/2011	Chen	D14/203.3	
D662,488	S *	6/2012	Yeo	D14/203.3	
D688,272	S *	8/2013	Lee	D14/496	
D702,732	S *	4/2014	Wu	D14/203.5	

* cited by examiner

Primary Examiner — Prabhakar Deshmukh

(74) *Attorney, Agent, or Firm* — Additon, Higgins & Pendleton, P.A.

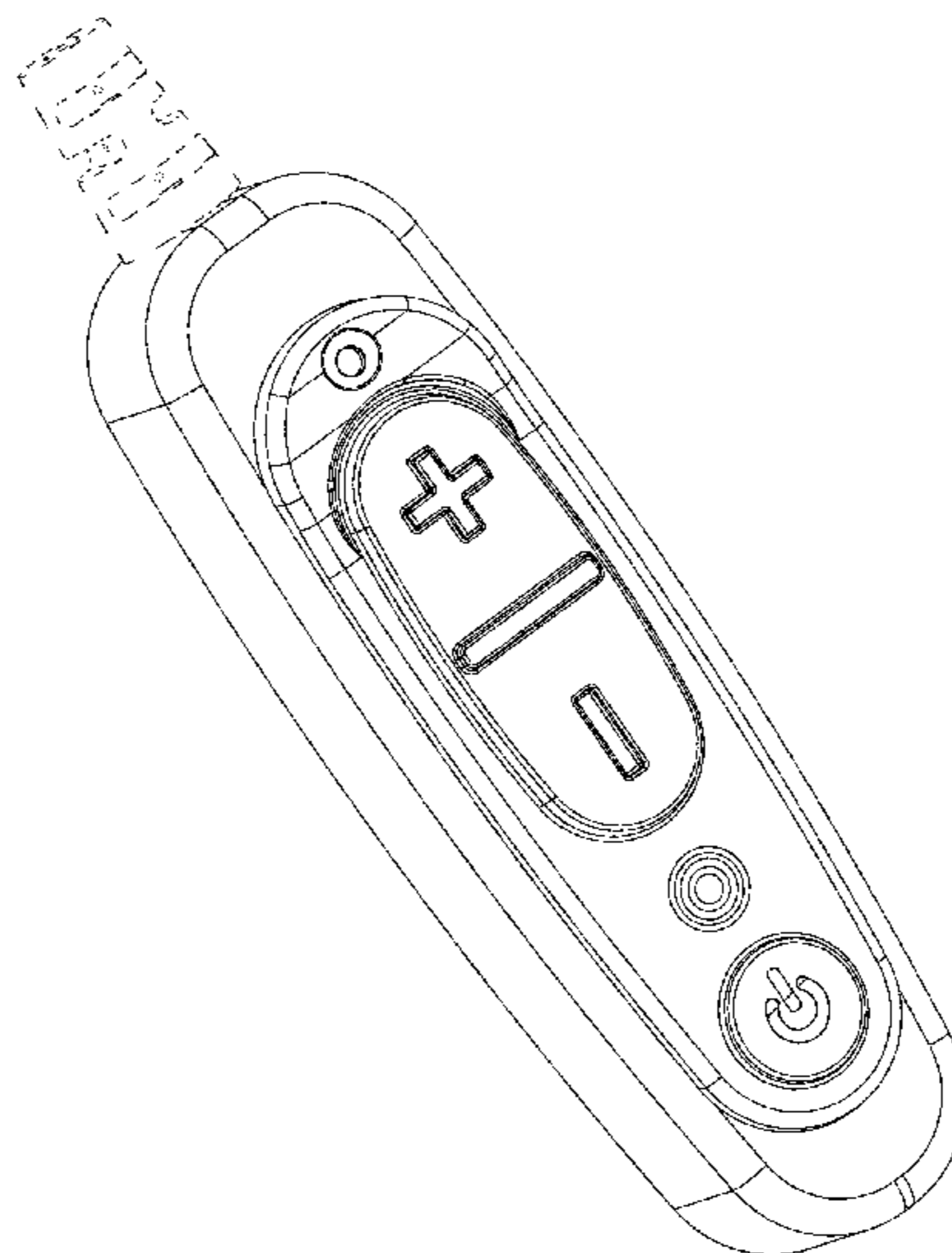
(57) **CLAIM**

The ornamental design for an electronic device, as shown and described.

DESCRIPTION

FIG. 1 is a top, left, front perspective view of an electronic device showing our new design;
FIG. 2 is a bottom, left, front perspective view thereof;
FIG. 3 is a front elevational view thereof;
FIG. 4 is a rear elevational view thereof;
FIG. 5 is a left side elevational view thereof;
FIG. 6 is a right side elevational view thereof;
FIG. 7 is a top plan view thereof; and,
FIG. 8 is a bottom plan view thereof.
The broken lines indicating environmental and forms no part of the claimed design.

1 Claim, 8 Drawing Sheets



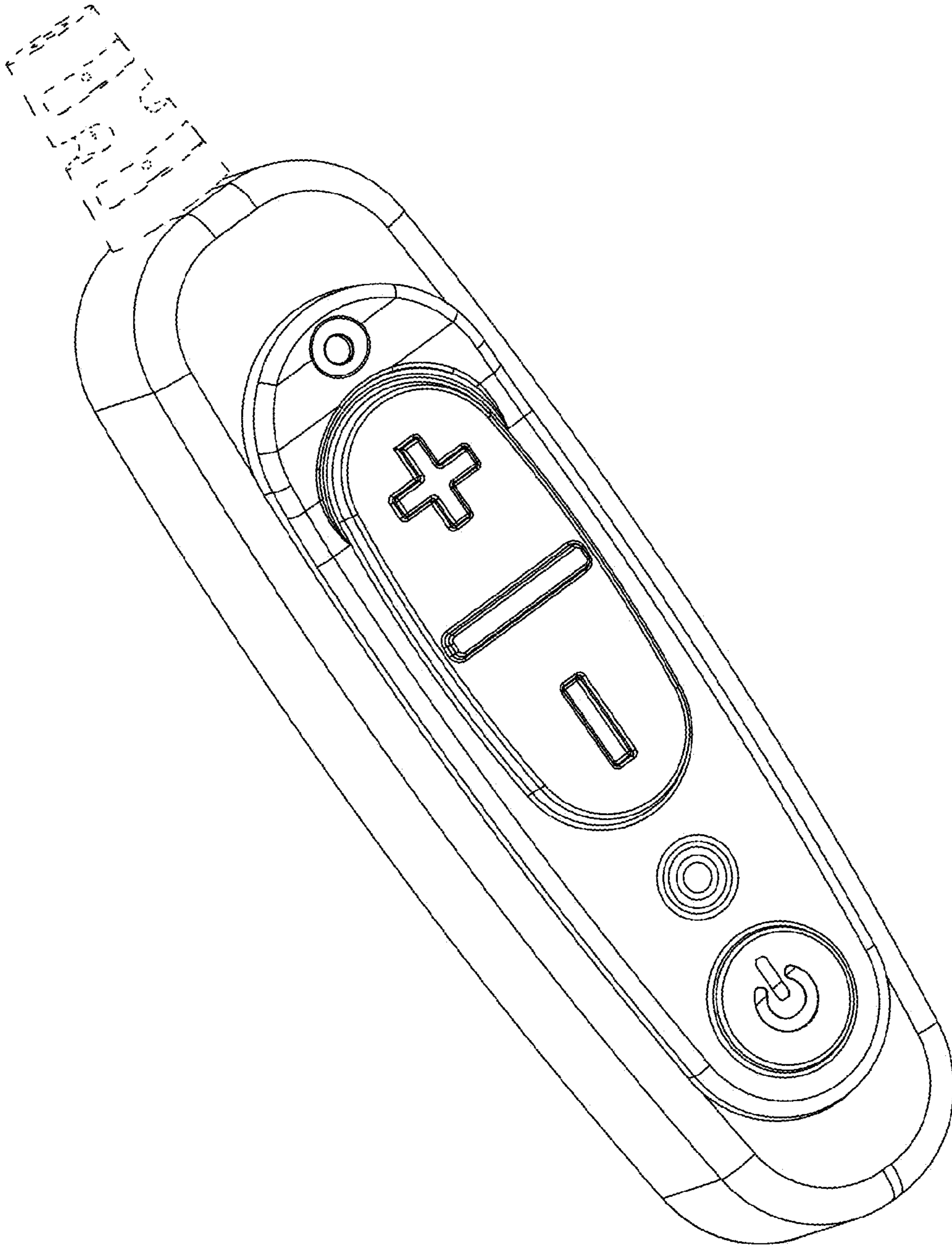


FIG. 1

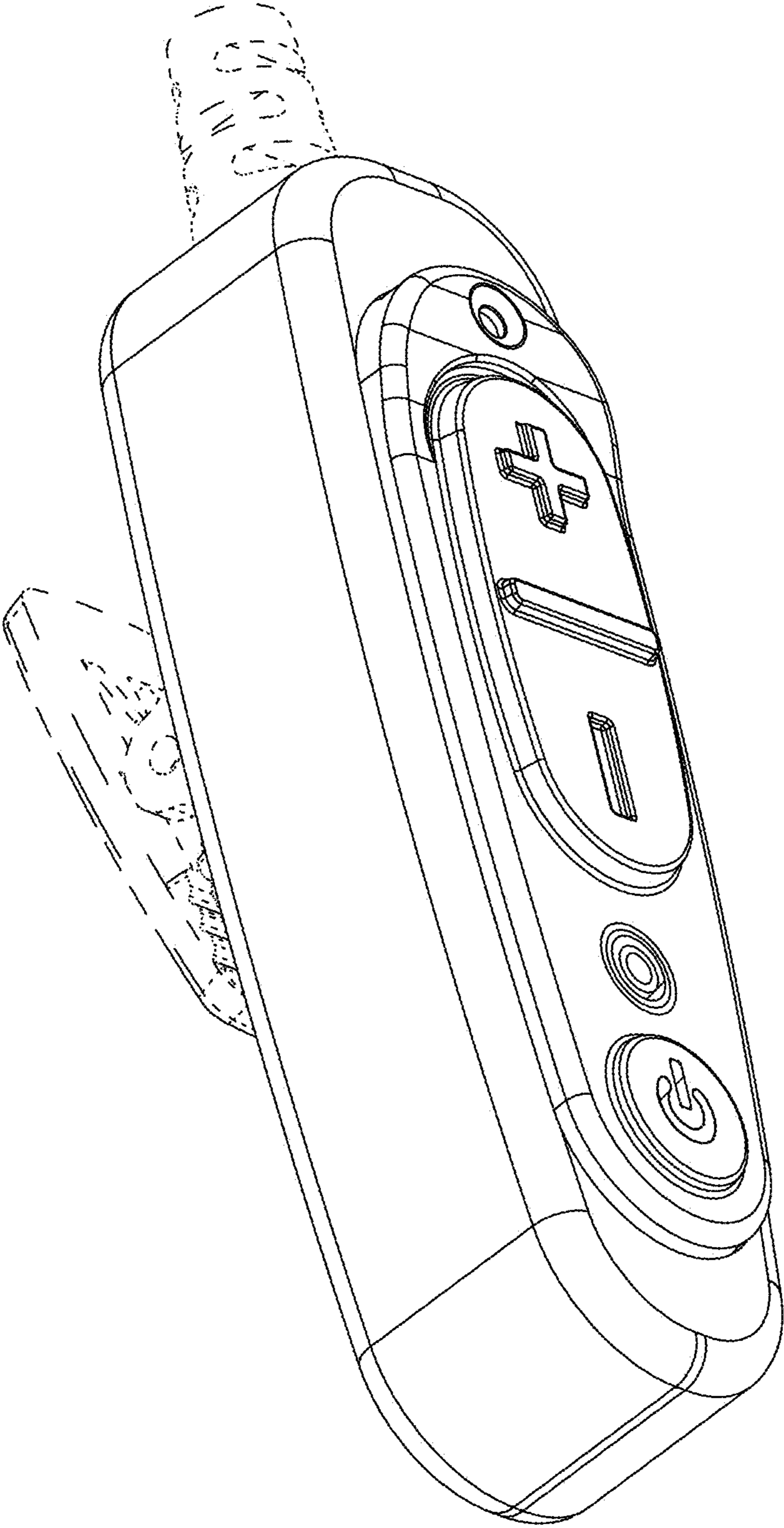


FIG. 2

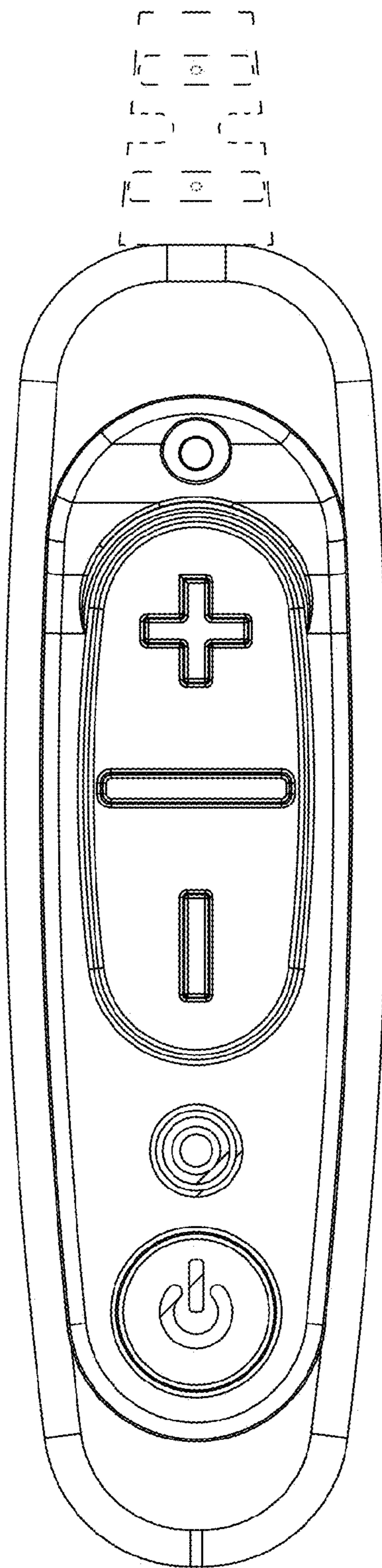


FIG. 3

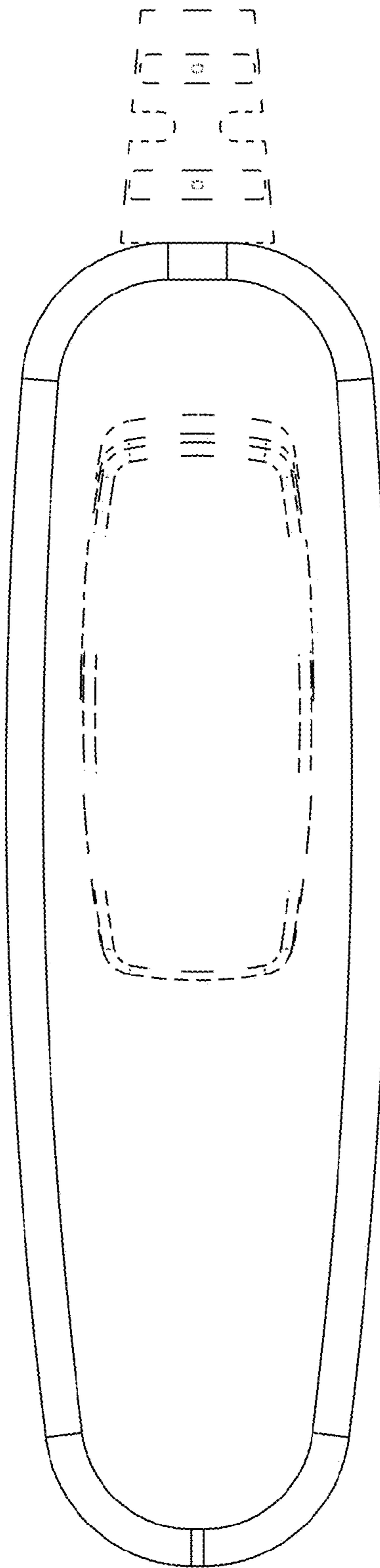


FIG. 4

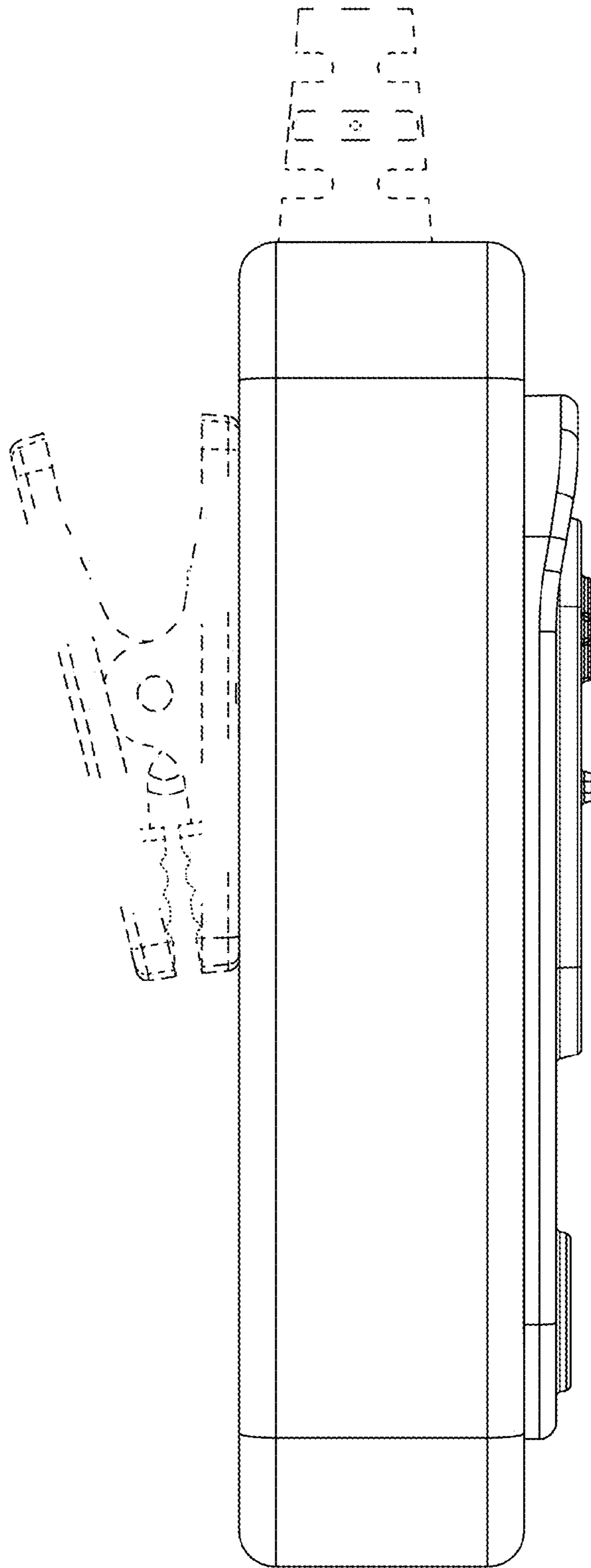


FIG. 5

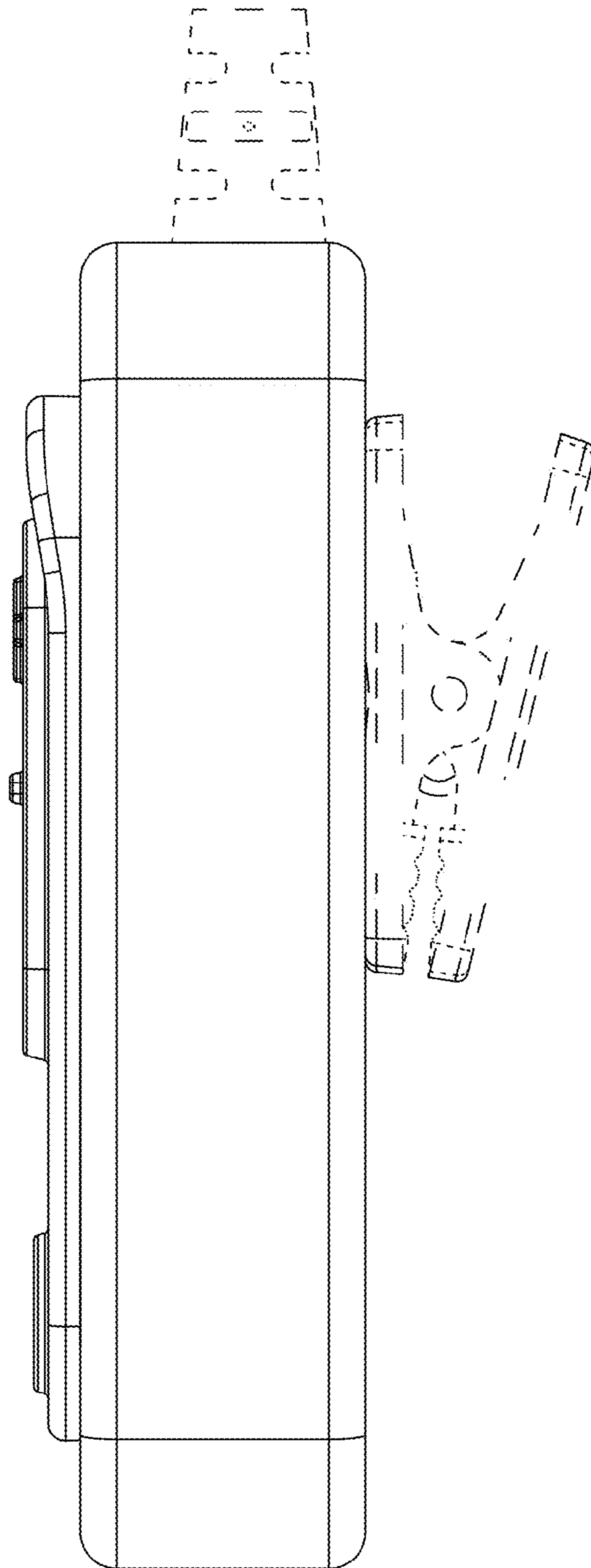


FIG. 6

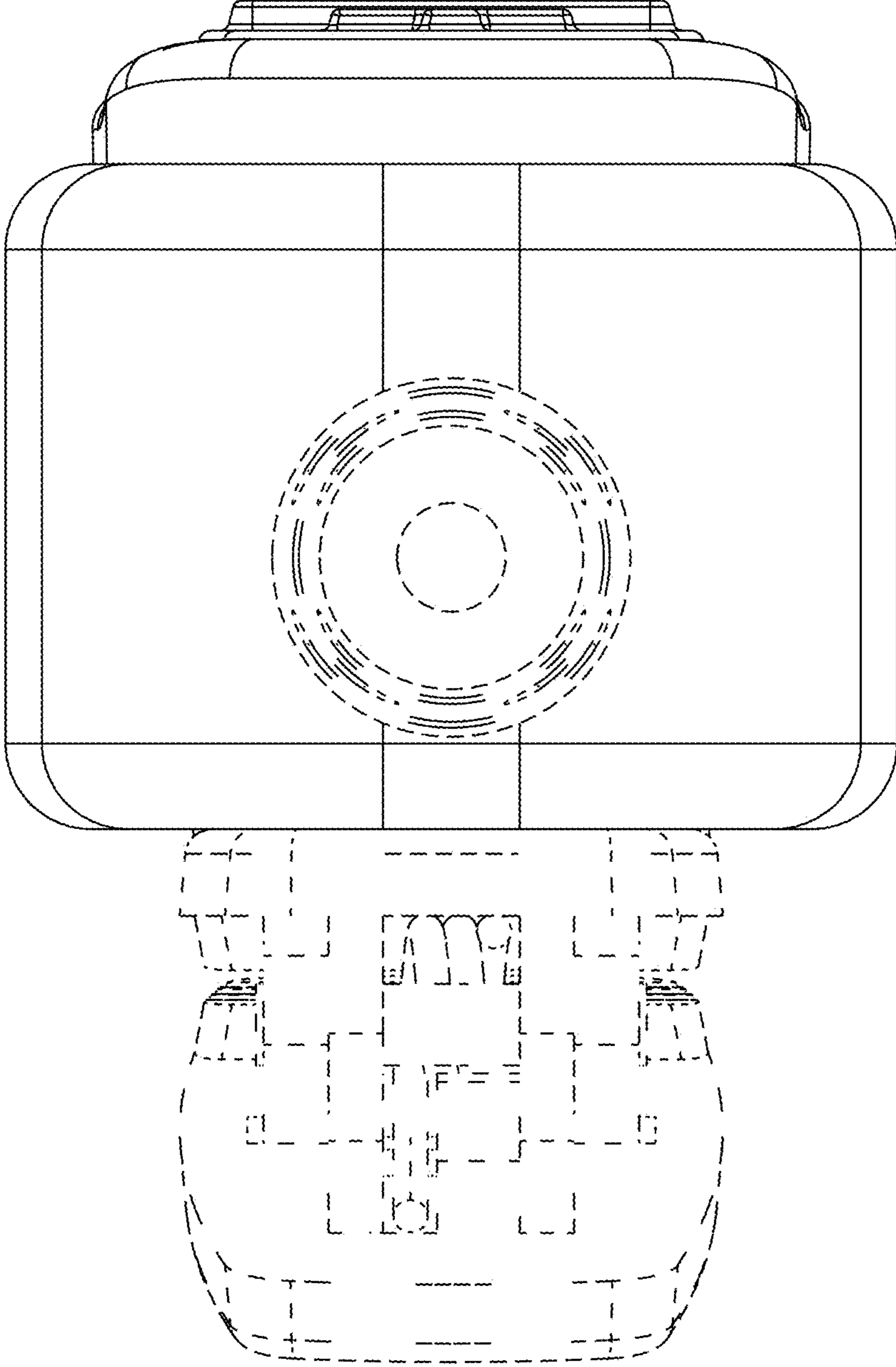


FIG. 7

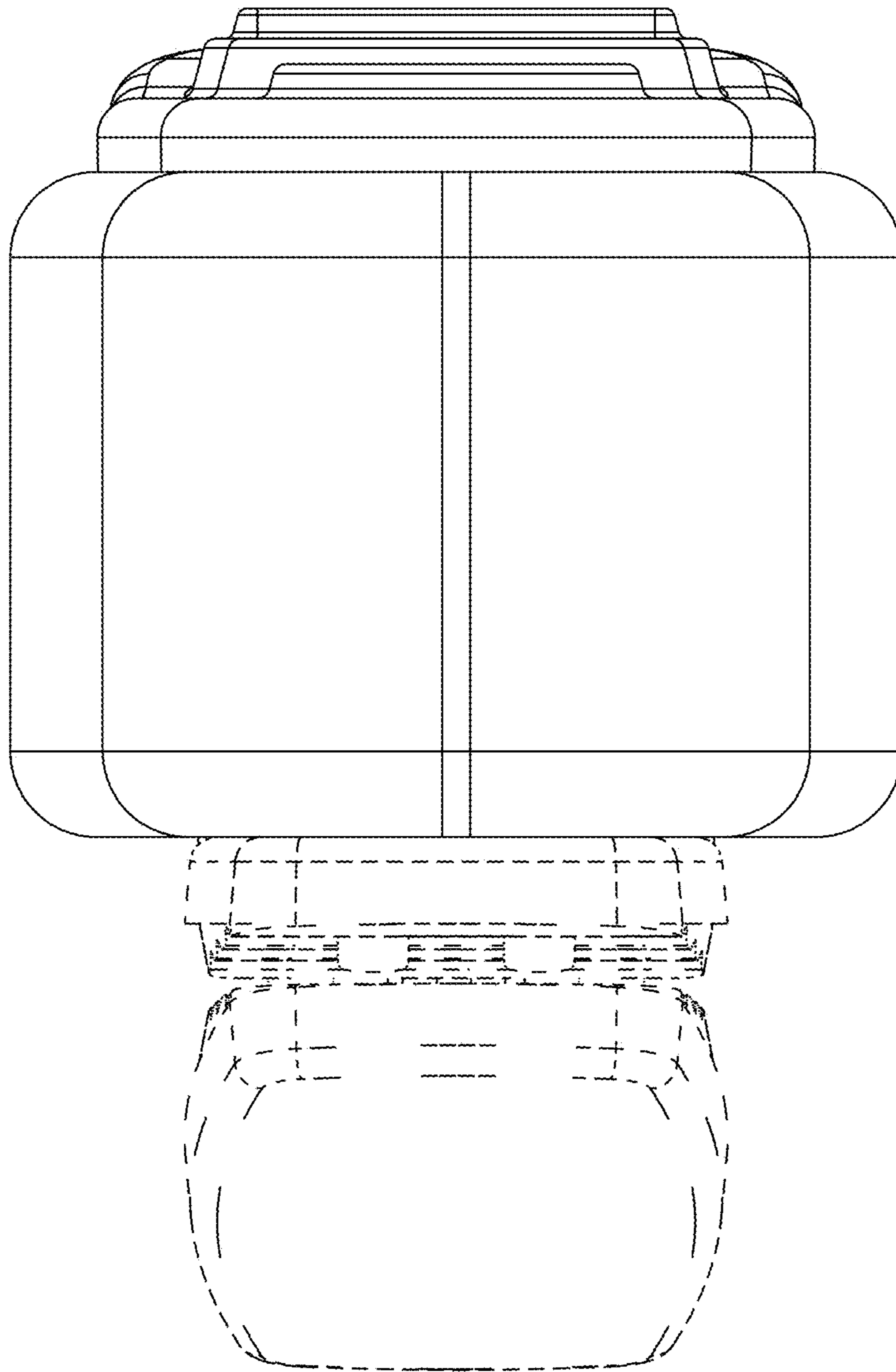


FIG. 8