



US00D754144S

(12) **United States Design Patent**
Vazquez et al.

(10) **Patent No.:** **US D754,144 S**
(45) **Date of Patent:** **** Apr. 19, 2016**

(54) **DISPLAY SCREEN OR PORTION THEREOF WITH GRAPHICAL USER INTERFACE**

(71) Applicant: **ADP, LLC**, Roseland, NJ (US)

(72) Inventors: **Serafin Vazquez**, Cortlandt Manor, NY (US); **Carl Collins**, Brooklyn, NY (US); **Anna Carsen**, New York, NY (US); **Keith Fulton**, South Orange, NJ (US)

(73) Assignee: **ADP, LLC**, Roseland, NJ (US)

(**) Term: **14 Years**

(21) Appl. No.: **29/487,139**

(22) Filed: **Apr. 4, 2014**

(51) **LOC (10) Cl.** **14-04**

(52) **U.S. Cl.**
USPC **D14/485**

(58) **Field of Classification Search**
USPC D14/485-488
CPC . G06F 17/30056; G06F 17/243; G06F 17/24; G06F 17/246; G06F 17/211; G06F 17/3005; G06F 17/30112; G06F 17/30716; H04N 1/00198; H04N 21/234336; H04L 41/22
See application file for complete search history.

(56) **References Cited**

U.S. PATENT DOCUMENTS

6,628,303	B1 *	9/2003	Foreman	G06F 3/0483 375/E7.026
D568,478	S *	5/2008	Karla	D24/165
8,560,946	B2 *	10/2013	Fugitt	G06F 3/0481 345/440
D701,224	S *	3/2014	Nations	D14/486
D703,687	S *	4/2014	Nations	D14/486
D705,790	S *	5/2014	Nations	D14/486
D705,792	S *	5/2014	Nations	D14/486
D708,197	S *	7/2014	Pasceri	D14/486
D708,198	S *	7/2014	Pasceri	D14/486
D708,204	S *	7/2014	Pasceri	D14/487
D711,400	S *	8/2014	Nations	D14/486
D712,417	S *	9/2014	Nations	D14/486

8,930,253	B1 *	1/2015	Ball	G06Q 40/00 705/35
9,003,023	B2 *	4/2015	Crank	H04L 63/1408 709/224
9,034,639	B2 *	5/2015	Freeman	A61B 5/1411 422/82.05
9,043,716	B2 *	5/2015	Jundt	G05B 19/0426 715/736
9,049,152	B2 *	6/2015	Lategan	G06F 8/70
9,076,346	B2 *	7/2015	Quattrocchi	G09B 15/023
9,098,384	B2 *	8/2015	Barak	G06F 17/00
9,099,161	B2 *	8/2015	Abbas	G11B 27/031
9,116,895	B1 *	8/2015	Eveland	G06F 17/3005
9,135,314	B2 *	9/2015	Armitage	G06F 17/30592

(Continued)

OTHER PUBLICATIONS

Donut Style Pie Chart For Data Driven Analysis Powerpoint Slides, posted at Slideteam.net, posting date not posted, © 2015 Slide Team, [site visited Nov. 20, 2015]. Available from internet: <<http://www.slideteam.net/donut-style-pie-chart-for-data-driven-analysis-powerpoint-slides.html>>.*

(Continued)

Primary Examiner — Eric Goodman

Assistant Examiner — Alyse Joseph

(74) *Attorney, Agent, or Firm* — Joseph V. Saphia; Frommer Lawrence & Haug LLP

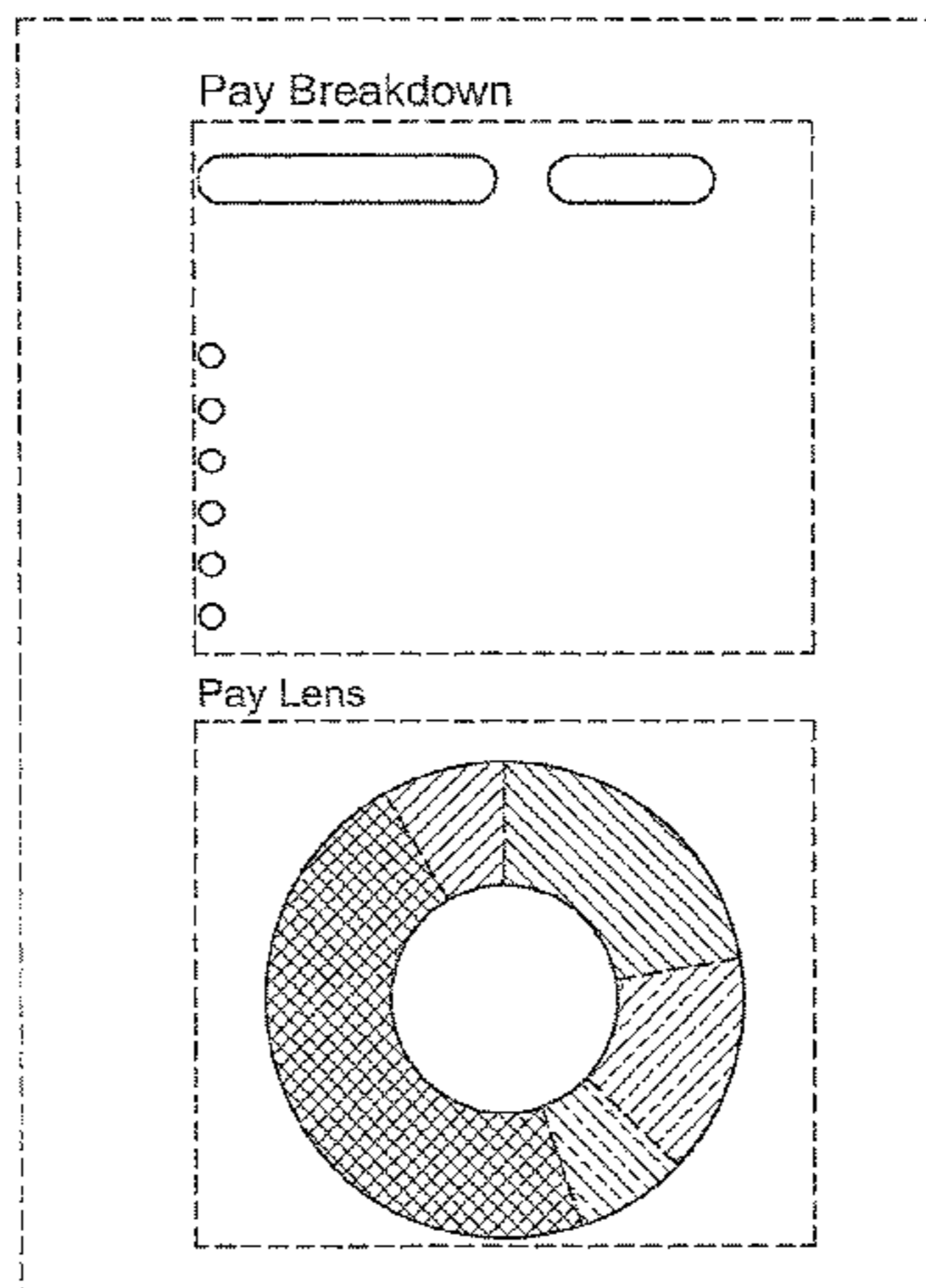
(57) **CLAIM**

The ornamental design for a display screen or portion thereof with graphical user interface, as shown and described.

DESCRIPTION

The sole FIGURE is a front view of a display screen or portion thereof with graphical user interface showing a new design. The outermost box in broken lines in the FIGURE illustrates the perimeters of a display screen or portion thereof and forms no part of the claimed design. Subject matters in broken lines in the FIGURE, such as text boxes, texts, words, letters, symbols, icons, numbers, images, and/or lines, form no part of the claimed design.

1 Claim, 1 Drawing Sheet



(56)

References Cited

U.S. PATENT DOCUMENTS

9,152,305 B2 * 10/2015 Xu G06F 3/0484
9,165,044 B2 * 10/2015 Psenka G06F 17/30554
9,176,933 B2 * 11/2015 Kotler G06F 17/21

OTHER PUBLICATIONS

Animated Interactive Donut Chart with jQuery andn Snap.svg,
posted at jqueryScript.net, posting date not posted, © 2012-2015

jQueryScript, [site visited Nov. 20, 2015]. Available from internet:
<<http://www.jqueryscript.net/chart-graph/Animated-Interactive-Donut-Chart-with-jQuery-Snap-svg.html>>.*
How to Make a Donut Chart with gRachael, posted at matthewodette.com, posted Jul. 2013, [site visited Nov. 20, 2015]. Available from internet: <<http://matthewodette.com/graphael-donut-charts/>>.*
WorkLog Distribution Gadget, posted at tempoplugin.jira.com by Emma Run Bjarnadottir, posted Jan. 9, 2014, [site visited Nov. 20, 2015]. Available from internet: <<https://tempoplugin.jira.com/wiki/display/TEMPO078/Worklog+Distribution+Gadget>>.*

* cited by examiner

