



US00D754142S

(12) **United States Design Patent**
Shih-Huang

(10) **Patent No.:** **US D754,142 S**
(45) **Date of Patent:** **** Apr. 19, 2016**

(54) **RECORDING MEDIUM**

(71) Applicant: **Kabushiki Kaisha Toshiba**, Minato-ku,
Tokyo (JP)

(72) Inventor: **Tsai Shih-Huang**, New Taipei (TW)

(73) Assignee: **Kabushiki Kaisha Toshiba**, Minato-ku,
Tokyo (JP)

(**) Term: **14 Years**

(21) Appl. No.: **29/525,427**

(22) Filed: **Apr. 29, 2015**

(30) **Foreign Application Priority Data**

Oct. 30, 2014 (JP) 2014-024250

(51) **LOC (10) Cl.** **14-02**

(52) **U.S. Cl.**
USPC **D14/480.7**

(58) **Field of Classification Search**

USPC D14/435.1, 480.1-480.7, 411, 433, 436,
D14/484.1, 137, 155, 203.1-203.8, 240,
D14/242, 133, 154

CPC H05K 5/0278; G06K 19/07732
See application file for complete search history.

(56) **References Cited**

U.S. PATENT DOCUMENTS

D547,311 S 7/2007 Chen et al.
D581,413 S * 11/2008 Kim D14/480.7
D587,266 S * 2/2009 Deguchi D14/480.7
D610,588 S * 2/2010 Chen D14/480.7
7,686,629 B1 * 3/2010 Yu H01R 13/447
439/136
D660,859 S * 5/2012 Lin D14/480.7
D673,576 S * 1/2013 Lin D14/480.7
D692,903 S * 11/2013 Lin D14/480.7

D700,083 S * 2/2014 Brigham D10/70
D706,787 S * 6/2014 Emami D14/480.7
D724,601 S * 3/2015 Hsieh D14/480.3
D729,277 S * 5/2015 Uchida D14/435.1
2012/0026661 A1 * 2/2012 Ni G06F 21/32
361/679.4

FOREIGN PATENT DOCUMENTS

CN 301720639 11/2011
CN 301867329 3/2012

(Continued)

Primary Examiner — Angela J Lee

(74) *Attorney, Agent, or Firm* — Banner & Witcoff, Ltd.

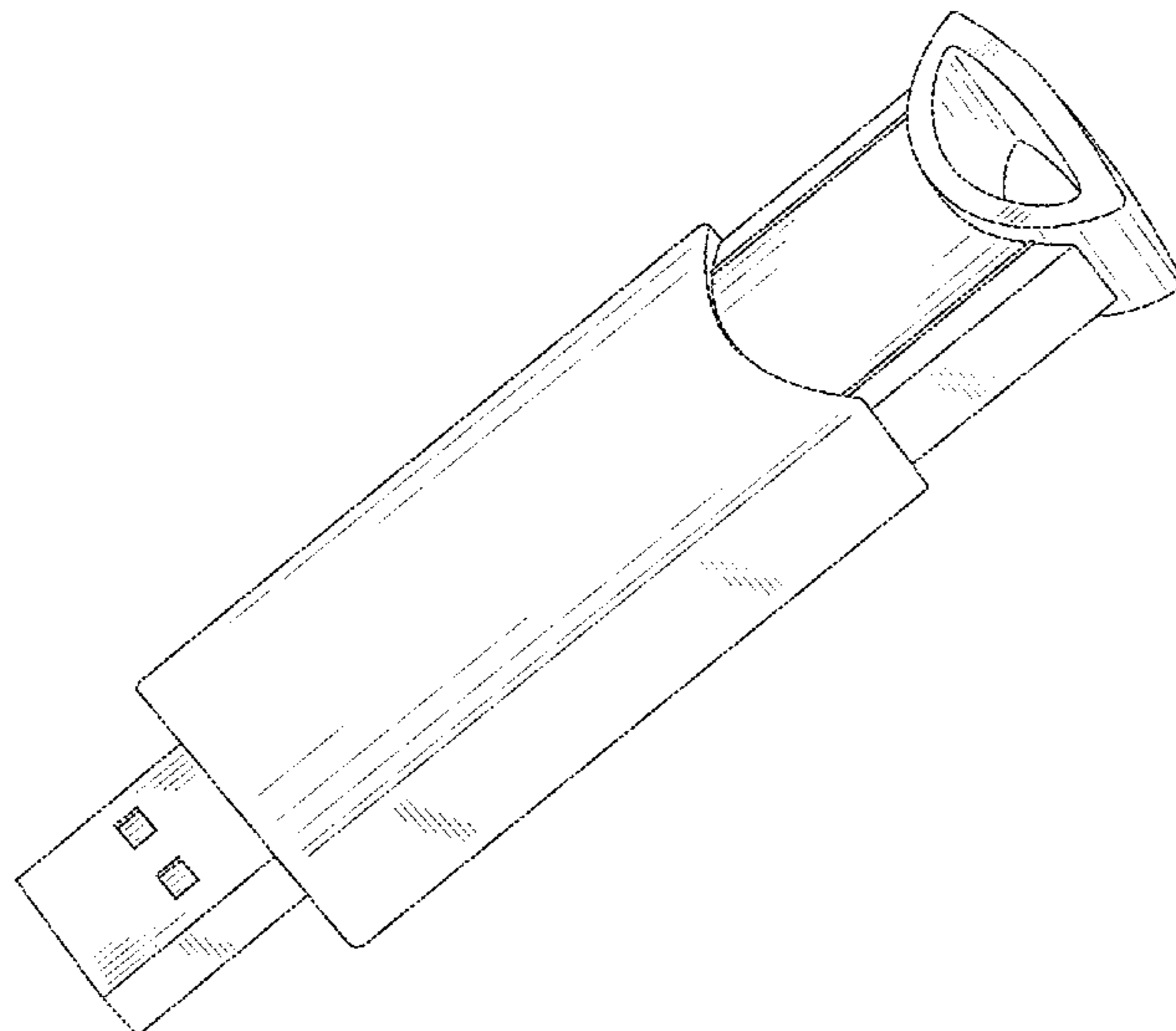
(57) **CLAIM**

The ornamental design for a recording medium, as shown and described.

DESCRIPTION

FIG. 1 is a perspective view of a recording medium, showing my new design;
FIG. 2 is a front view thereof, the rear view being symmetrical;
FIG. 3 is a top view thereof, the bottom view being identical;
FIG. 4 is a left side view thereof;
FIG. 5 is a right side view thereof;
FIG. 6 is a cross sectional view thereof, taken along the line 6-6 in FIG. 2 with its internal mechanisms omitted;
FIG. 7 is a cross sectional view thereof, taken along the line 7-7 in FIG. 2 with its internal mechanisms omitted;
FIG. 8 is a cross sectional view thereof, taken along the line 8-8 in FIG. 2 with its internal mechanisms omitted;
FIG. 9 is a cross sectional view thereof, taken along the line 9-9 in FIG. 3 with its internal mechanisms omitted; and,
FIG. 10 is a perspective view showing the state of use thereof. The broken lines are for illustrative purpose only and form no part of the claimed design.

1 Claim, 3 Drawing Sheets



(56)	References Cited			
		JP	1208454	6/2004
		JP	S1482734	10/2013
		KP	30-0522791	3/2009
	FOREIGN PATENT DOCUMENTS			
CN	301901529	3/2012		
CN	302350779	3/2013		
			* cited by examiner	

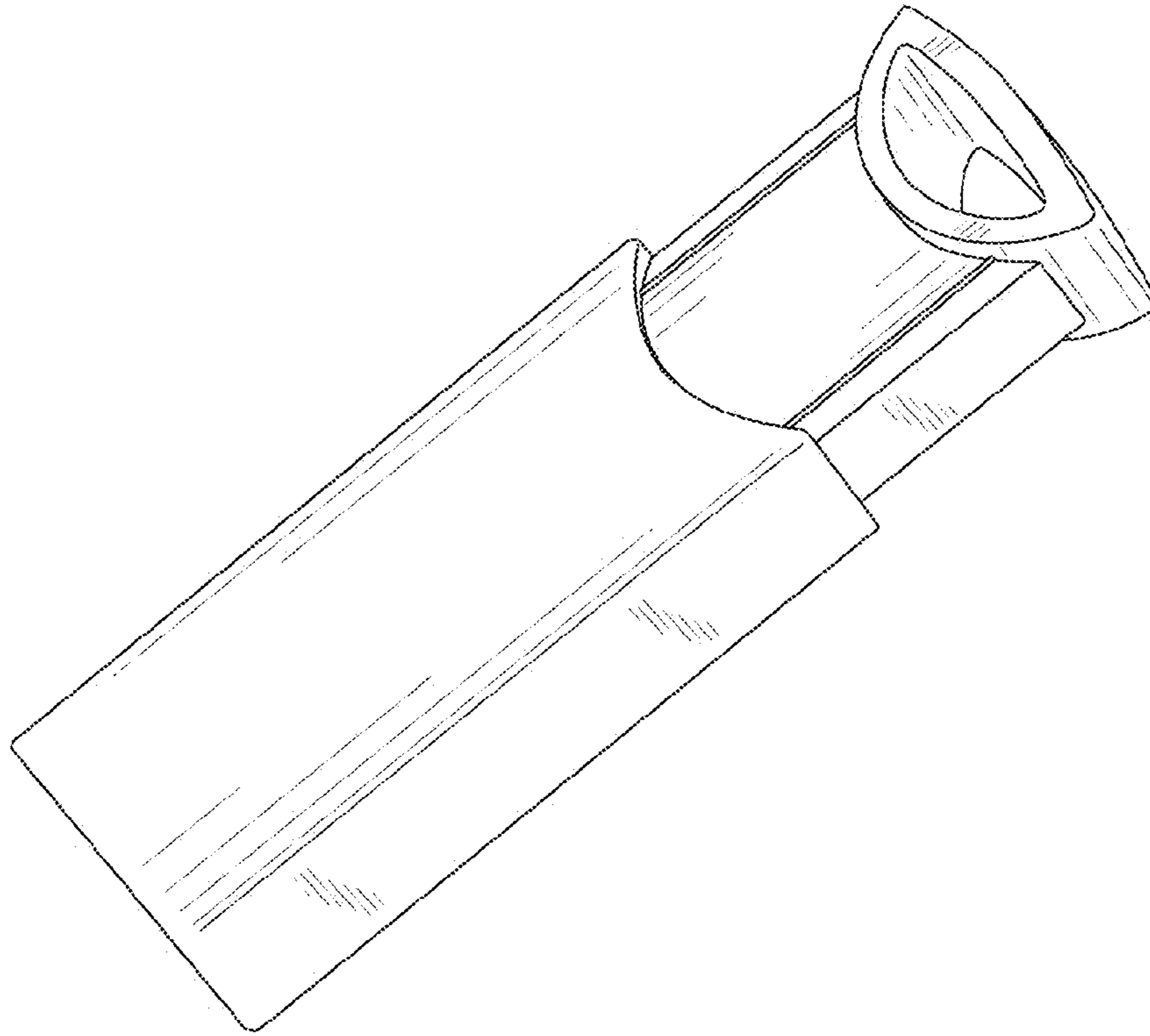


Fig. 1

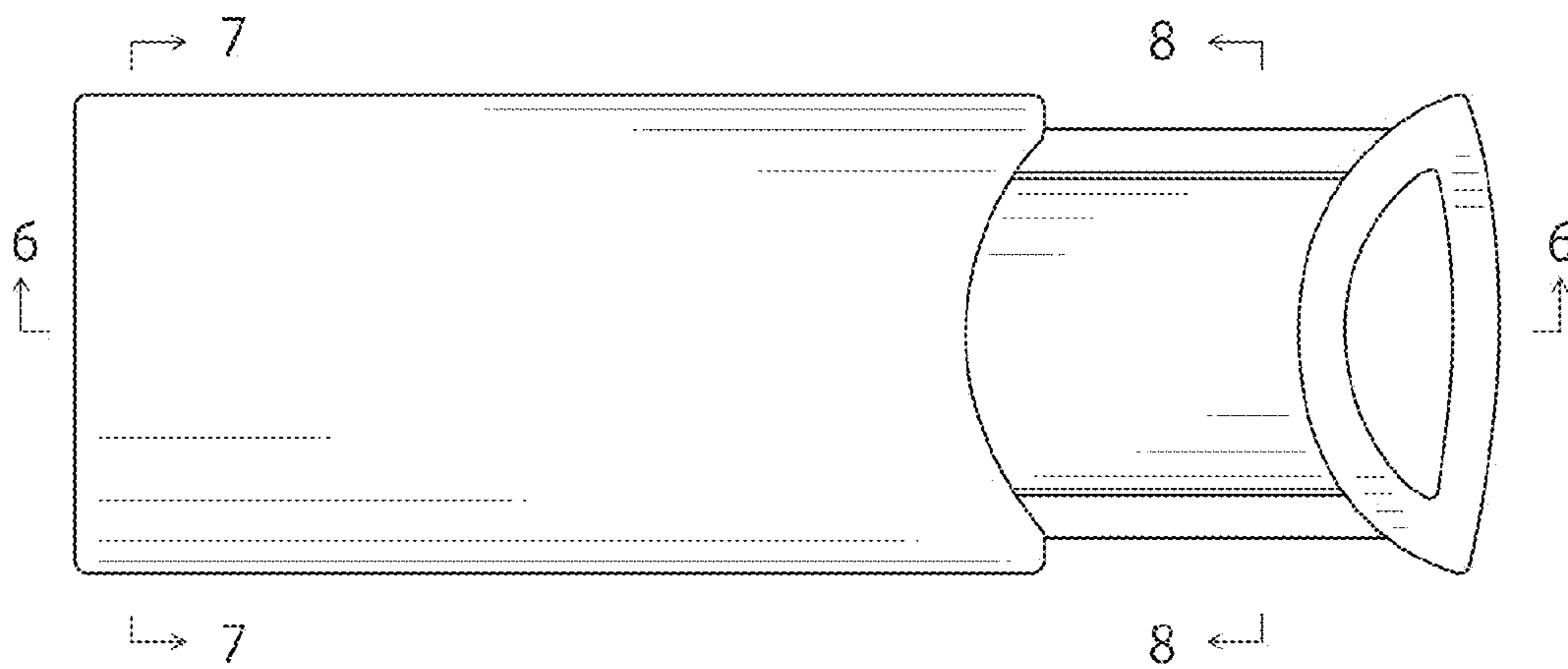


Fig. 2

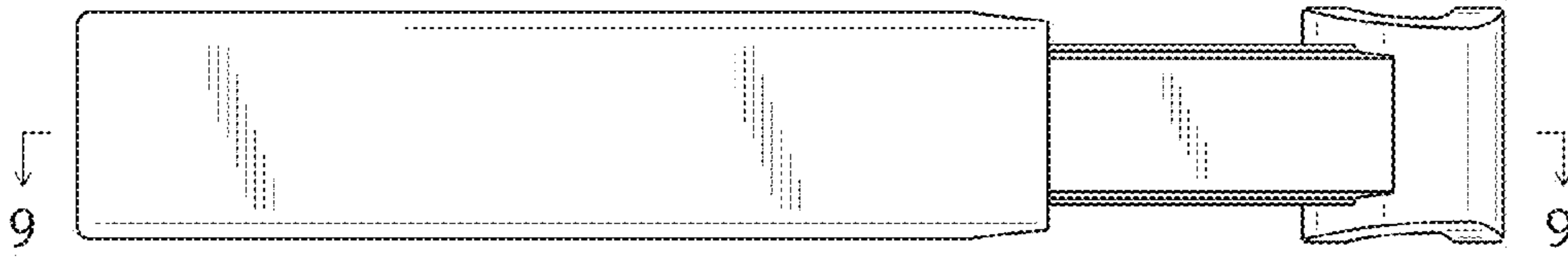


Fig.3

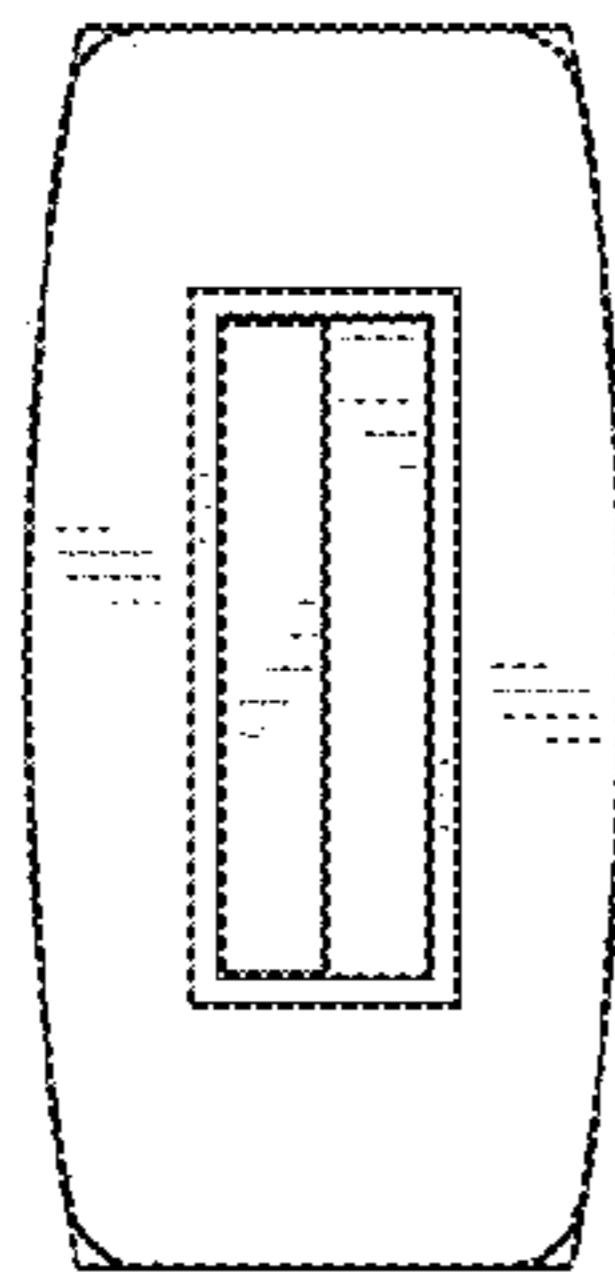


Fig.4

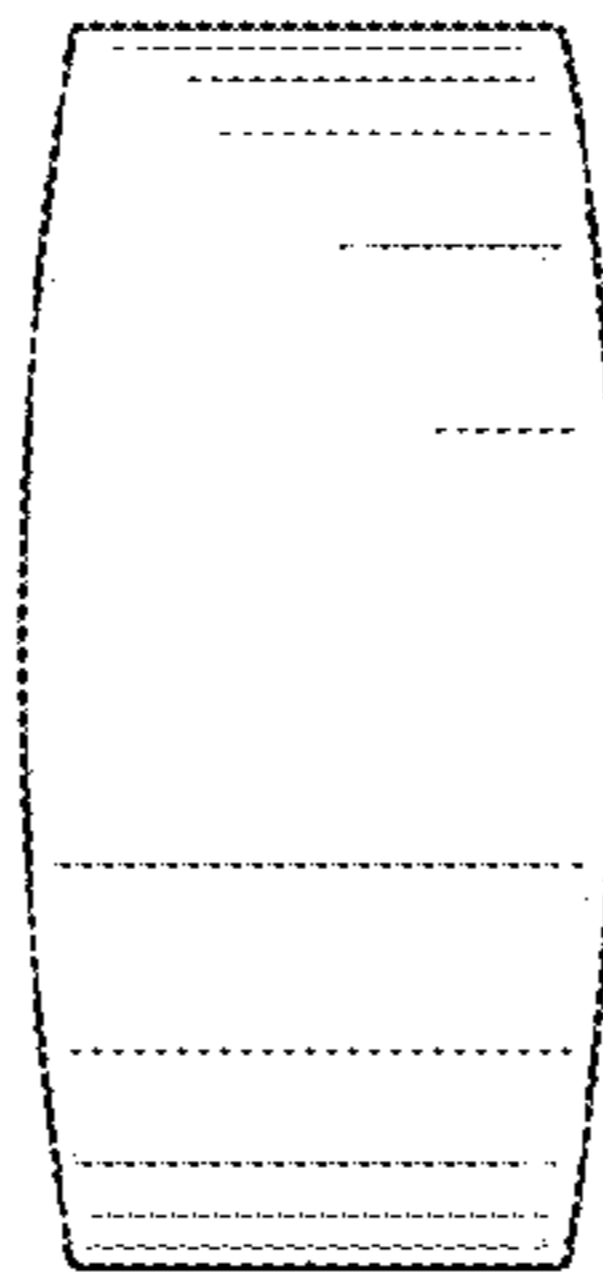


Fig.5

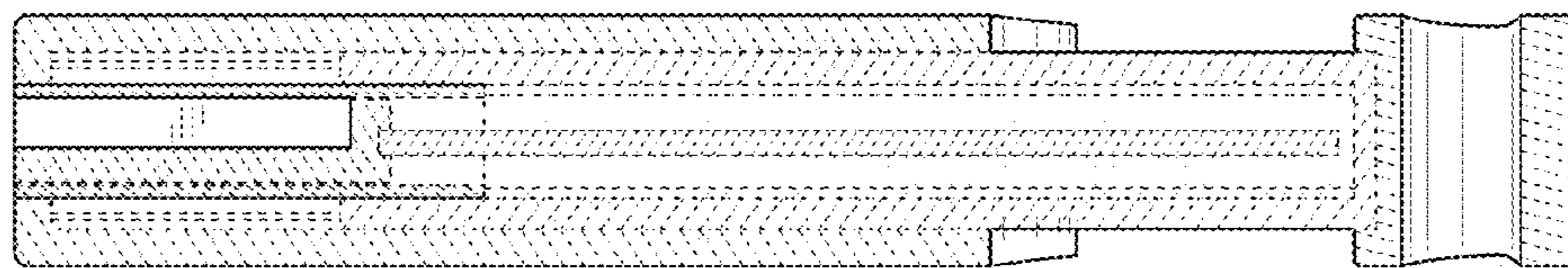


Fig.6

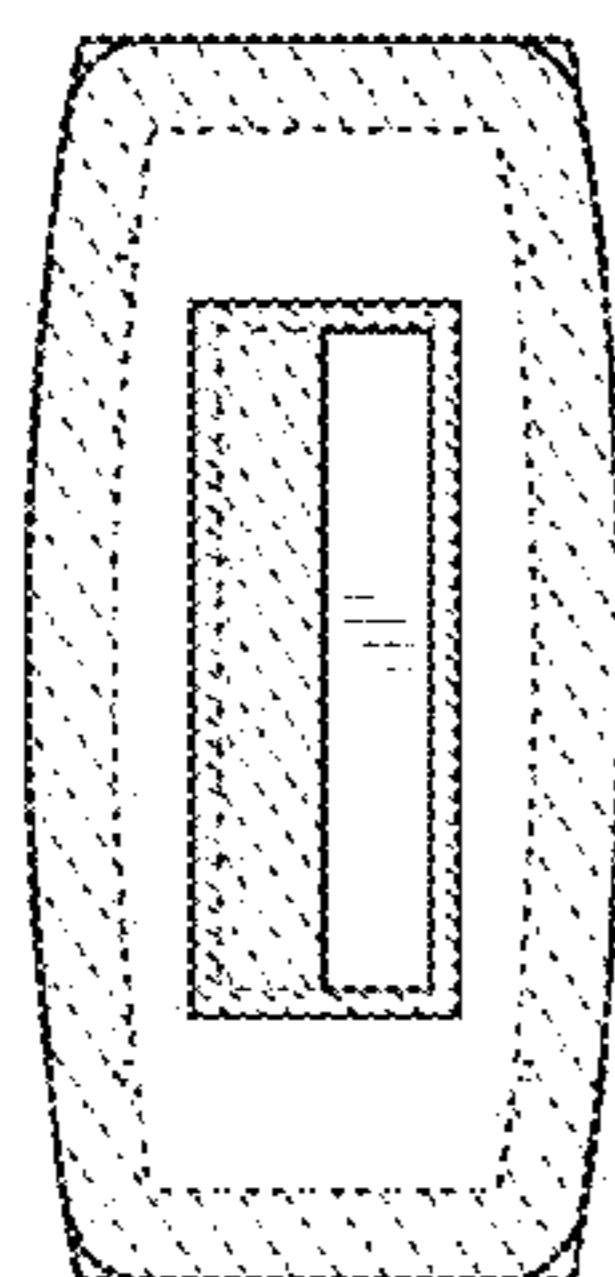


Fig.7

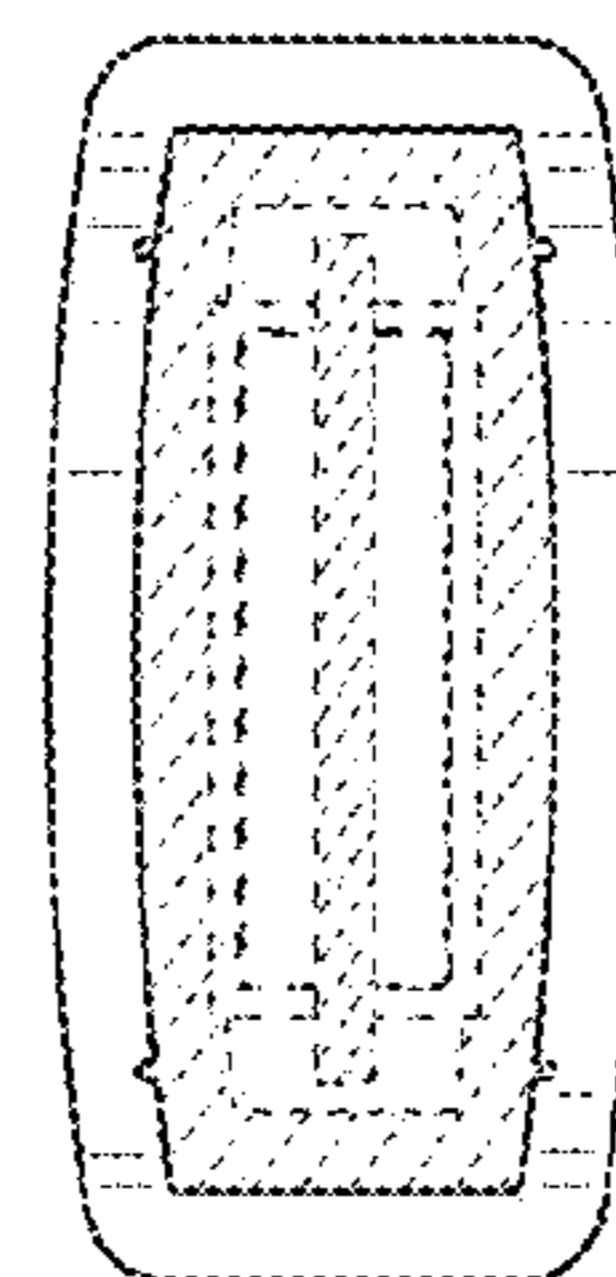


Fig.8

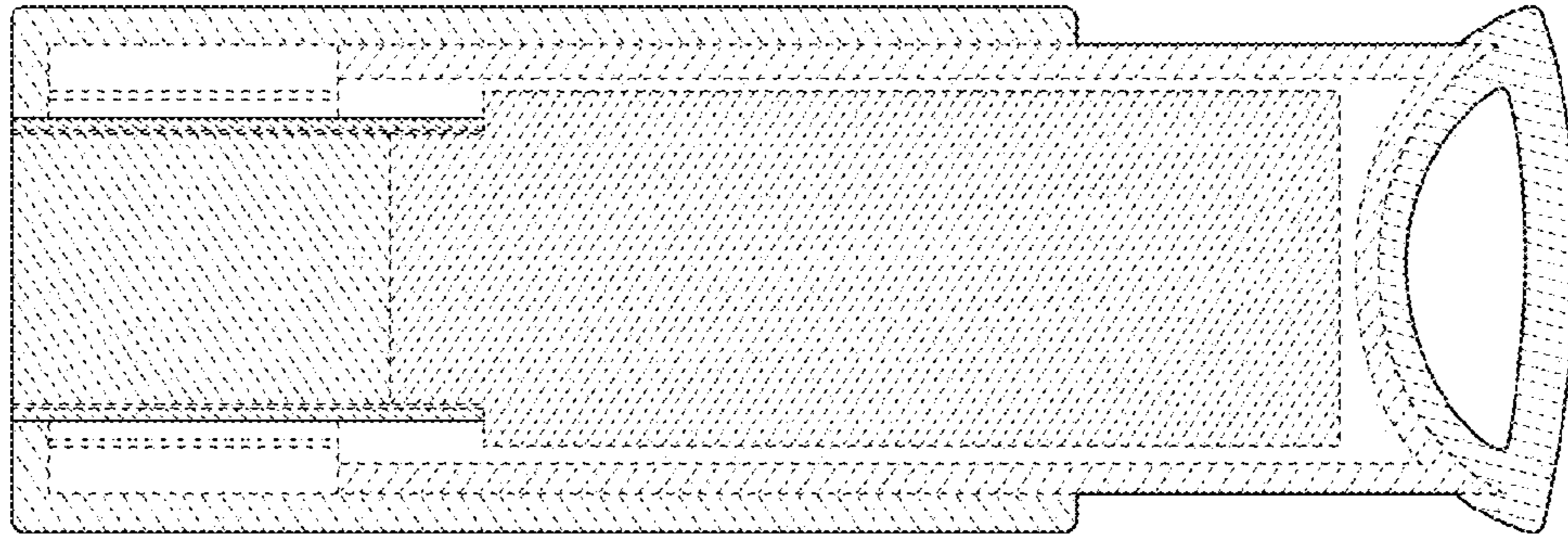


Fig. 9

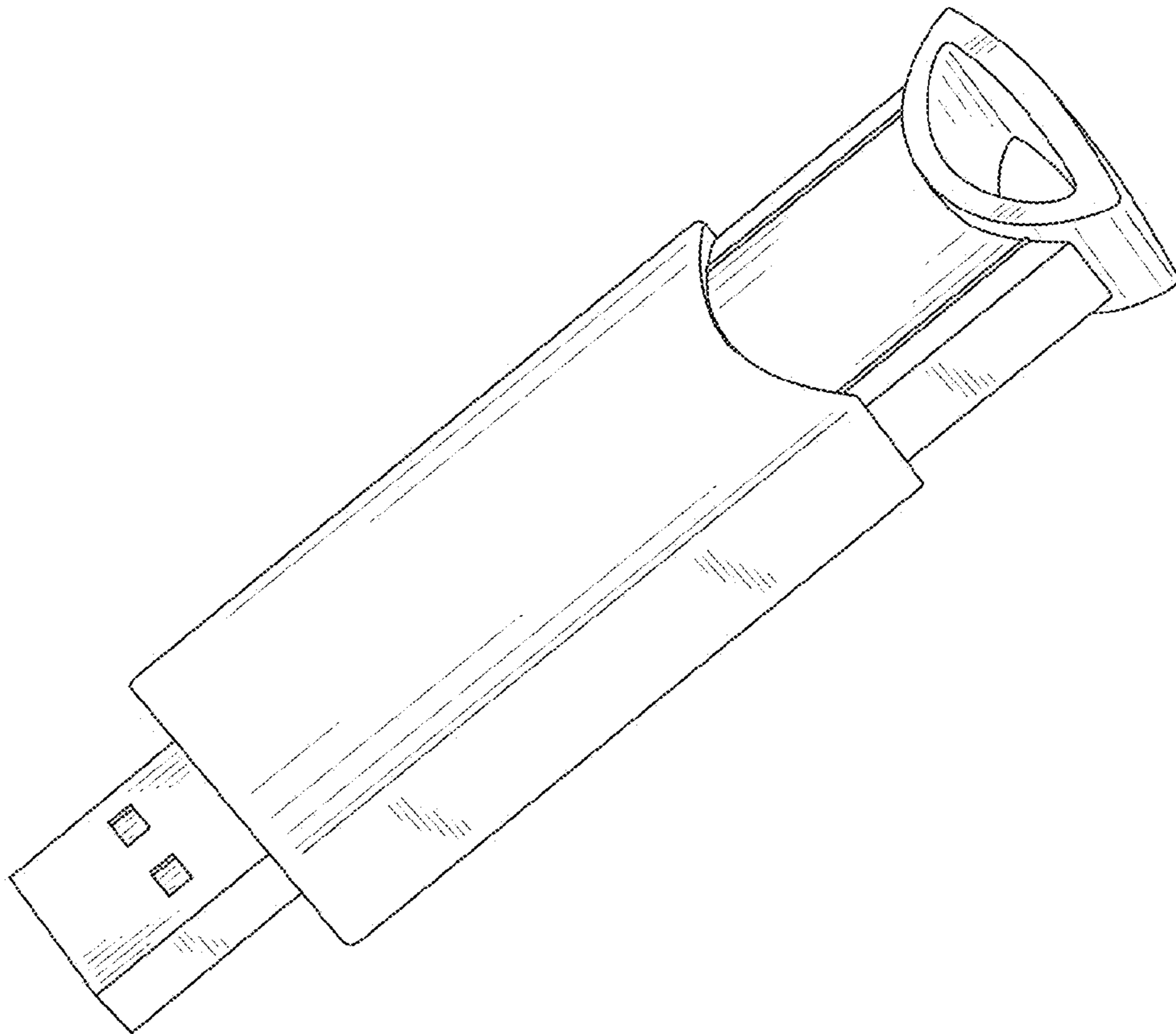


Fig. 10