



US00D754141S

(12) **United States Design Patent**
Billington

(10) **Patent No.:** **US D754,141 S**
(45) **Date of Patent:** **** Apr. 19, 2016**

(54) **USB MEMORY DEVICE**
(71) Applicant: **Charles Billington**, London (GB)
(72) Inventor: **Charles Billington**, London (GB)
(73) Assignee: **Groundhog S.A.**, Luxembourg (LU)
(**) Term: **15 Years**
(21) Appl. No.: **29/530,577**
(22) Filed: **Jun. 17, 2015**

(30) **Foreign Application Priority Data**

Mar. 11, 2015 (EM) 1002650622-0001

(51) **LOC (10) Cl.** **14-02**

(52) **U.S. Cl.**
USPC **D14/480.6**

(58) **Field of Classification Search**
USPC D14/435.1, 480.1–480.7, 411, 433, 436,
D14/484.1, 137, 155, 203.1–203.8, 240,
D14/242, 133, 154
CPC H05K 5/0278; G06K 19/07732
See application file for complete search history.

(56) **References Cited**

U.S. PATENT DOCUMENTS

D520,995 S * 5/2006 Chang D14/480.6
D580,434 S * 11/2008 Kim D14/385
D581,926 S * 12/2008 Kim D14/480.6
7,740,495 B1 * 6/2010 Lo G06K 19/07
439/142
D620,015 S * 7/2010 Nan D14/480.6

D622,278 S * 8/2010 Ma D14/480.6
D656,148 S * 3/2012 Schlosstein D14/480.6
D711,390 S * 8/2014 Sun D14/480.6
2007/0054522 A1 * 3/2007 Choi H04M 1/0225
439/144
2008/0019090 A1 * 1/2008 Zhu H05K 5/0278
361/679.31
2008/0276099 A1 * 11/2008 Nguyen G06F 12/1416
713/186
2009/0227144 A1 * 9/2009 Ma H01R 24/62
439/620.15
2010/0304586 A1 * 12/2010 Ma H05K 5/0278
439/131

* cited by examiner

Primary Examiner — Angela J Lee

(74) *Attorney, Agent, or Firm* — Douglas L Weller

(57) **CLAIM**

The ornamental design for a USB memory device, as shown and described.

DESCRIPTION

FIG. 1 is a top plan view of the USB memory device, the bottom being a mirror image of the top.
FIG. 2 is a left side elevational view of the USB memory device, the right being a mirror image of the left.
FIG. 3 is a front elevational view of the USB memory device.
FIG. 4 is a rear elevational view of the USB memory device.
FIG. 5 is a top front right perspective view of the USB memory device; and,
FIG. 6 is a top front right perspective view of the USB memory device with an interior section being pivoted to expose a USB connector.

1 Claim, 1 Drawing Sheet

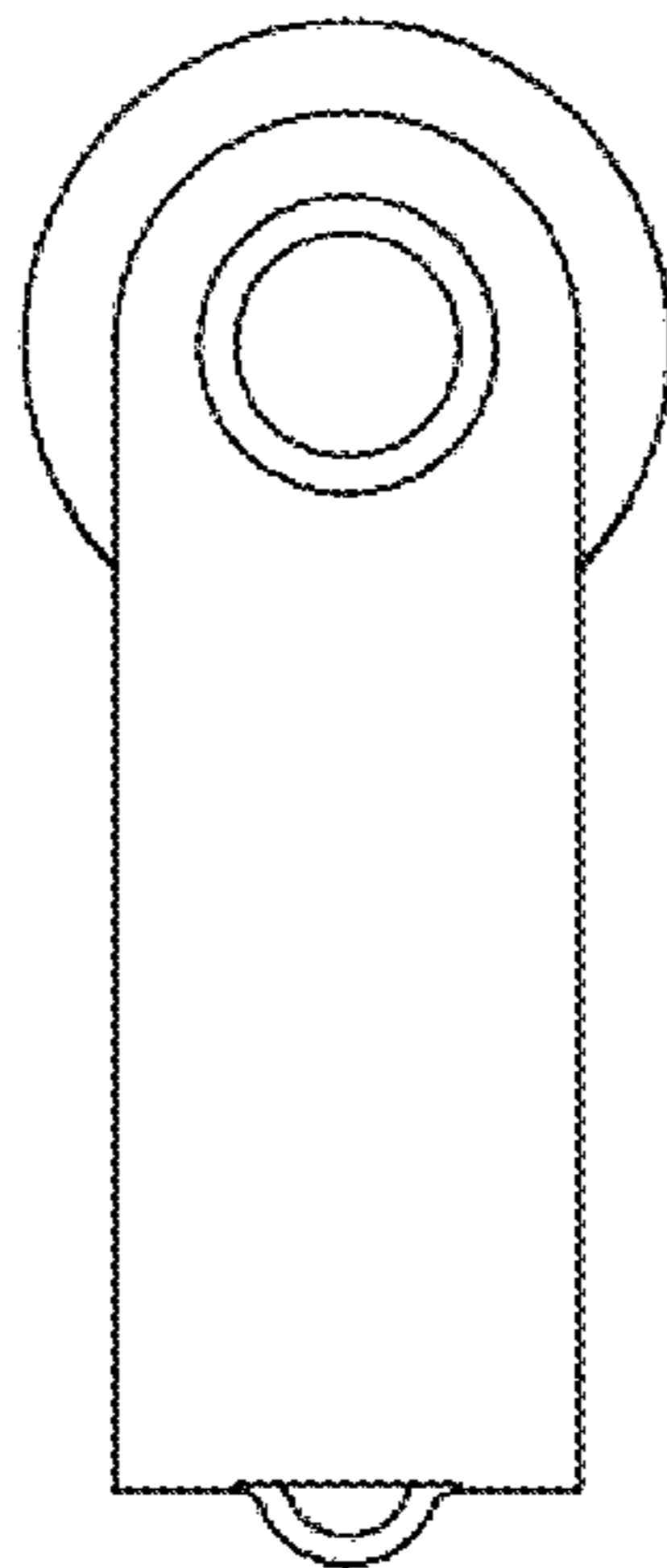


FIG. 1

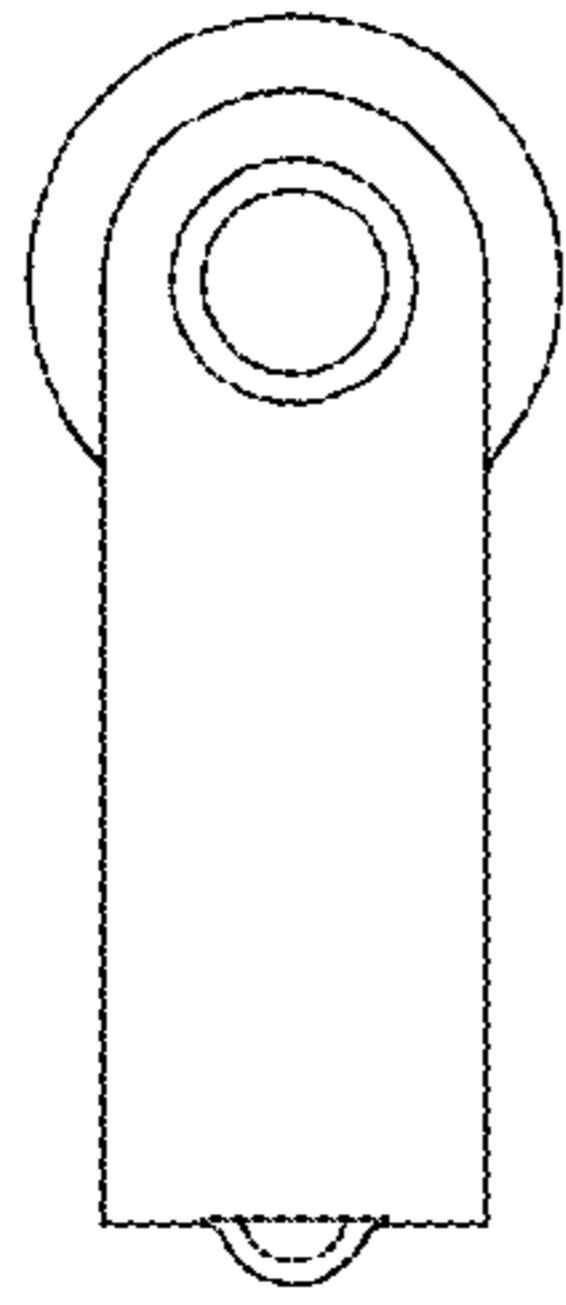


FIG. 2



FIG. 3

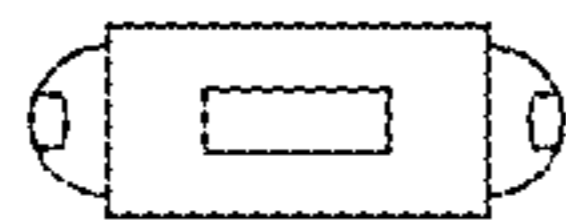


FIG. 4



FIG. 5

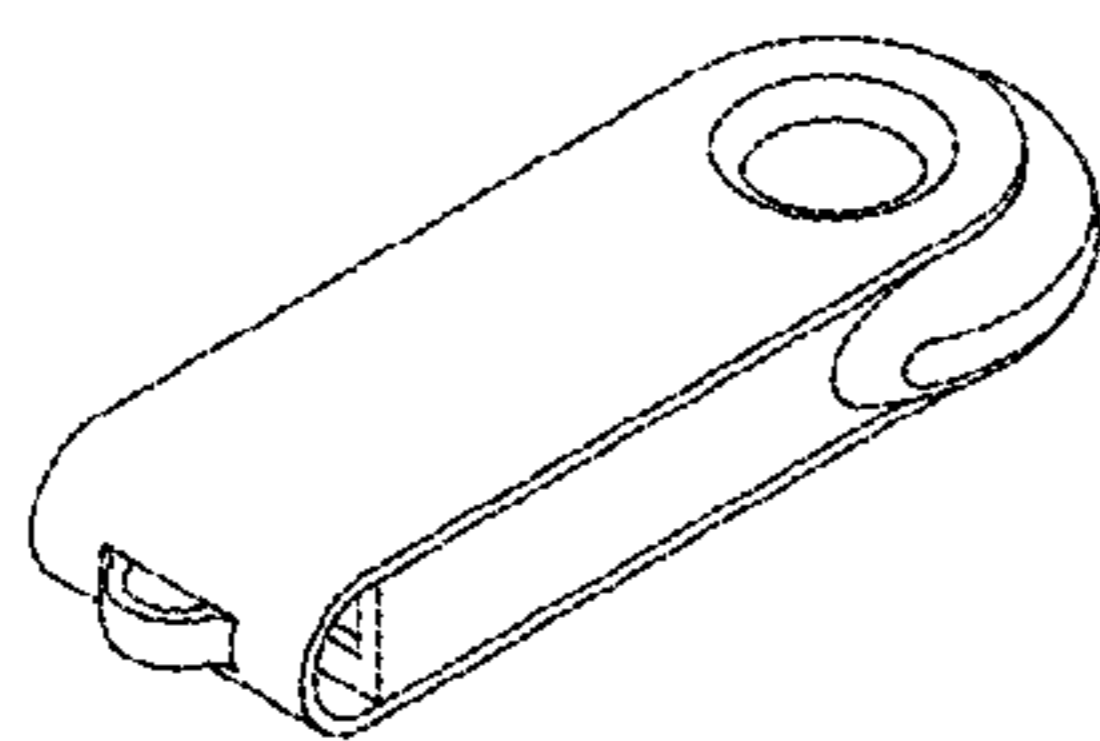


FIG. 6

