



US00D754140S

(12) **United States Design Patent**
Billington

(10) **Patent No.:** **US D754,140 S**

(45) **Date of Patent:** **** Apr. 19, 2016**

(54) **USB MEMORY DEVICE**

(71) Applicant: **Charles Billington**, London (GB)

(72) Inventor: **Charles Billington**, London (GB)

(73) Assignee: **Groundhog S.A.**, Luxembourg (LU)

(**) Term: **14 Years**

(21) Appl. No.: **29/487,354**

(22) Filed: **Apr. 8, 2014**

(30) **Foreign Application Priority Data**

Oct. 23, 2013 (EM) 002331637-0001

(51) **LOC (10) Cl.** **14-03**

(52) **U.S. Cl.**
USPC **D14/480.3**

(58) **Field of Classification Search**
USPC D14/435.1, 480.1–480.7, 411, 433, 436,
D14/484.1, 137, 155, 203.1–203.8, 240,
D14/242, 133, 154
CPC H05K 5/0278; G06K 19/07732
See application file for complete search history.

(56) **References Cited**

U.S. PATENT DOCUMENTS

D502,216 S * 2/2005 Chen D14/480.3
D547,374 S * 7/2007 Deng D14/480.3
D562,384 S * 2/2008 Qiu D14/480.3
D582,915 S * 12/2008 Leung D14/480.3
D656,989 S * 4/2012 Briggl D14/480.3
D669,900 S * 10/2012 Schlosstein D14/480.3

D669,901 S * 10/2012 Schlosstein D14/480.3
D669,902 S * 10/2012 Schlosstein D14/480.3
D669,903 S * 10/2012 Schlosstein D14/480.3
D679,718 S * 4/2013 Benois D14/480.3
D715,311 S * 10/2014 Briggl D14/480.3
2004/0233629 A1* 11/2004 Wang B43K 29/08
361/679.4
2013/0142562 A1* 6/2013 Briggl B43K 7/005
401/107

* cited by examiner

Primary Examiner — Angela J Lee

(74) *Attorney, Agent, or Firm* — Douglas L. Weller

(57) **CLAIM**

The ornamental design for a USB memory device, as shown and described.

DESCRIPTION

FIG. 1 is a top plan view of the USB memory device.
FIG. 2 is a right side elevational view of the USB memory device, the left being a mirror image of the right.
FIG. 3 is a front elevational view of the USB memory device.
FIG. 4 is a rear elevational view of the USB memory device.
FIG. 5 is a top front right perspective view of the USB memory device.
FIG. 6 is a top rear right perspective view of the USB memory device; and,
FIG. 7 is a top rear right perspective view of the USB memory device with a rear section removed to expose a USB connector.

1 Claim, 2 Drawing Sheets

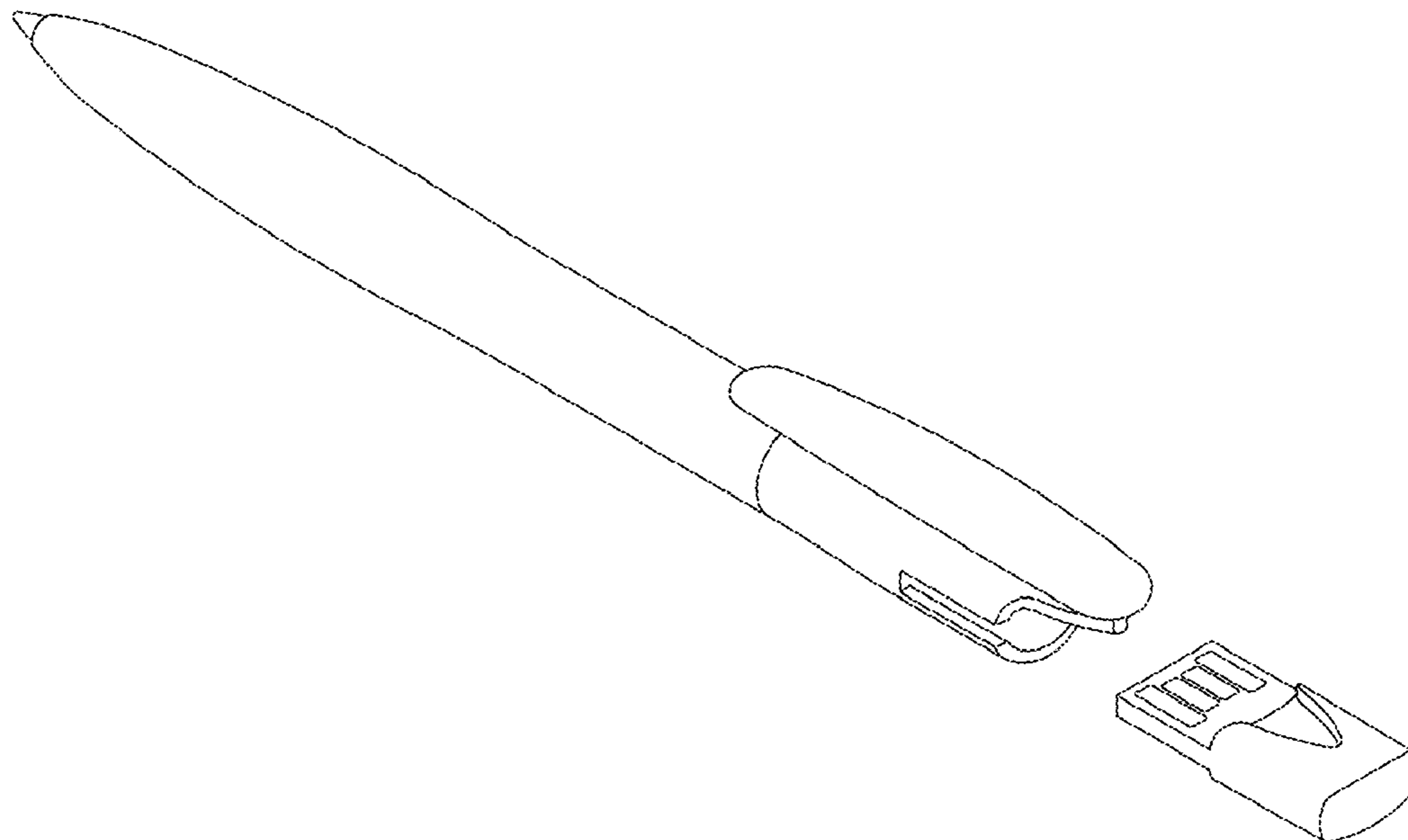


FIG.1

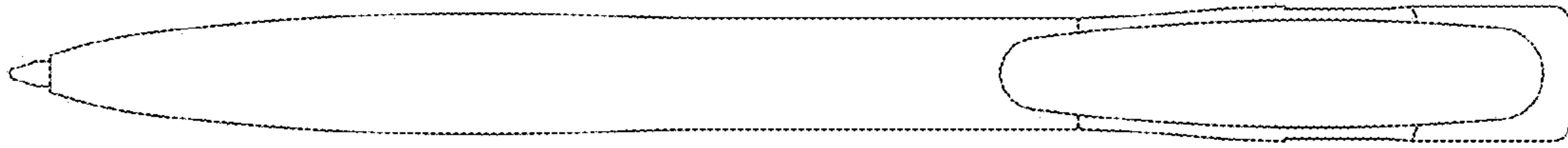


FIG.2

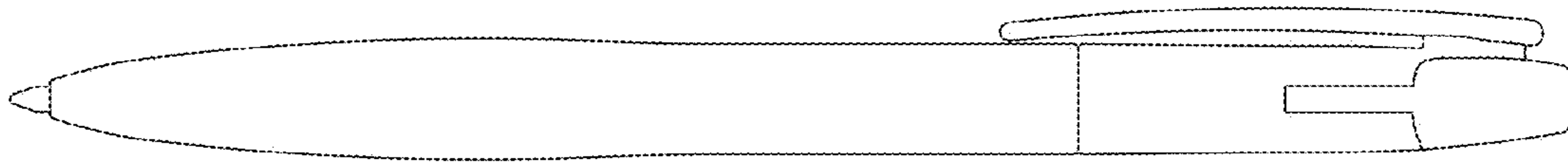


FIG.3

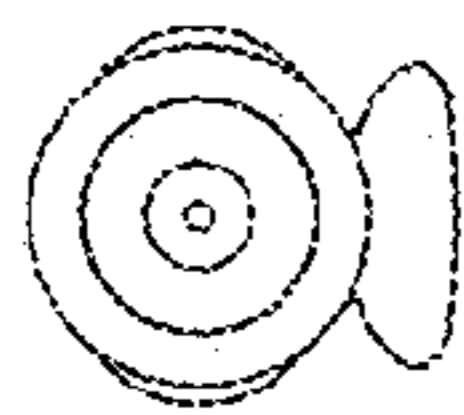


FIG.4

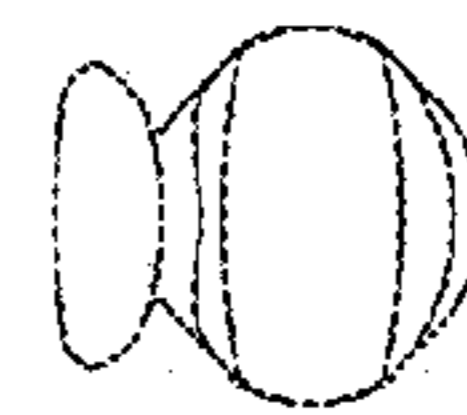


FIG.5

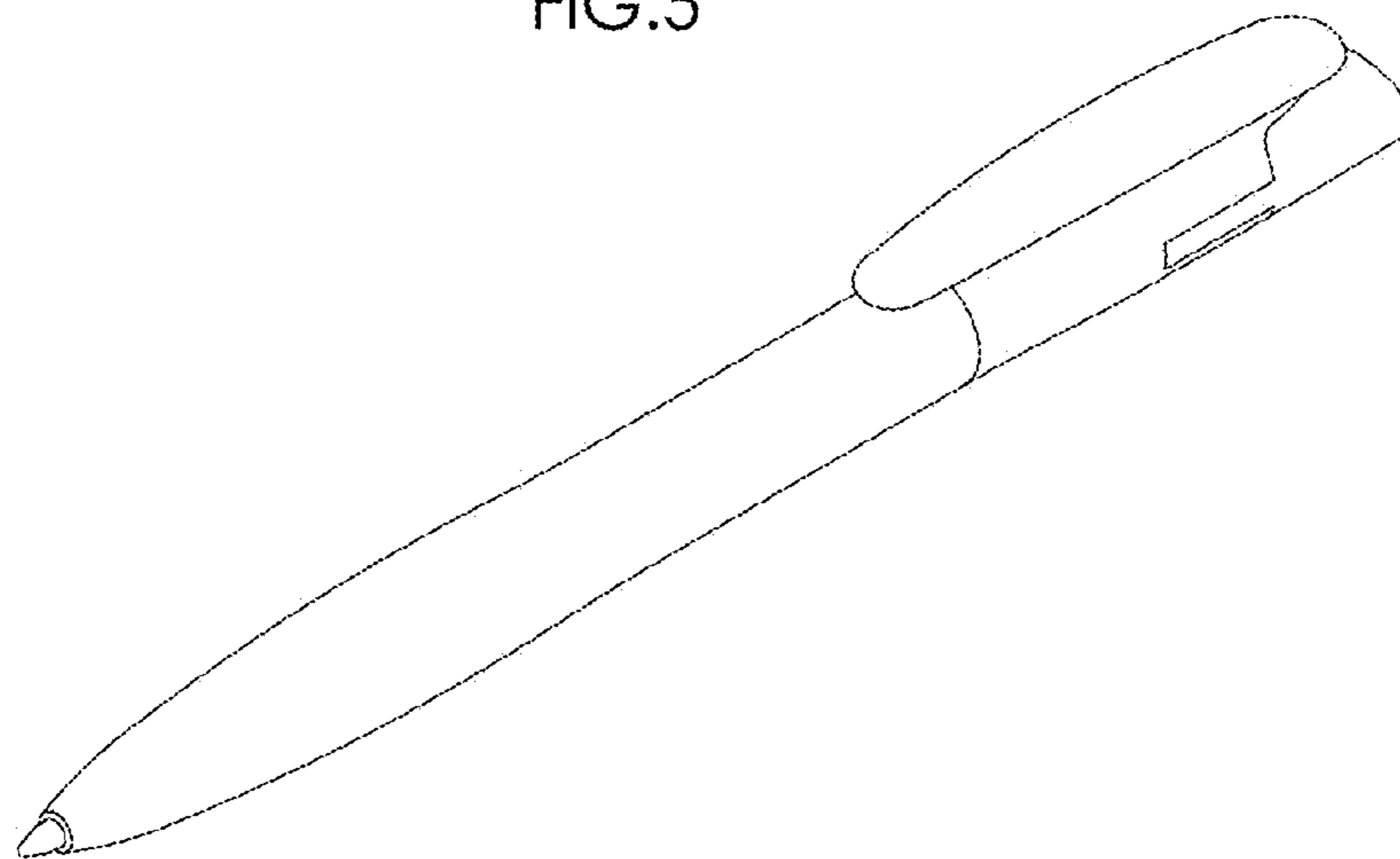


FIG.6

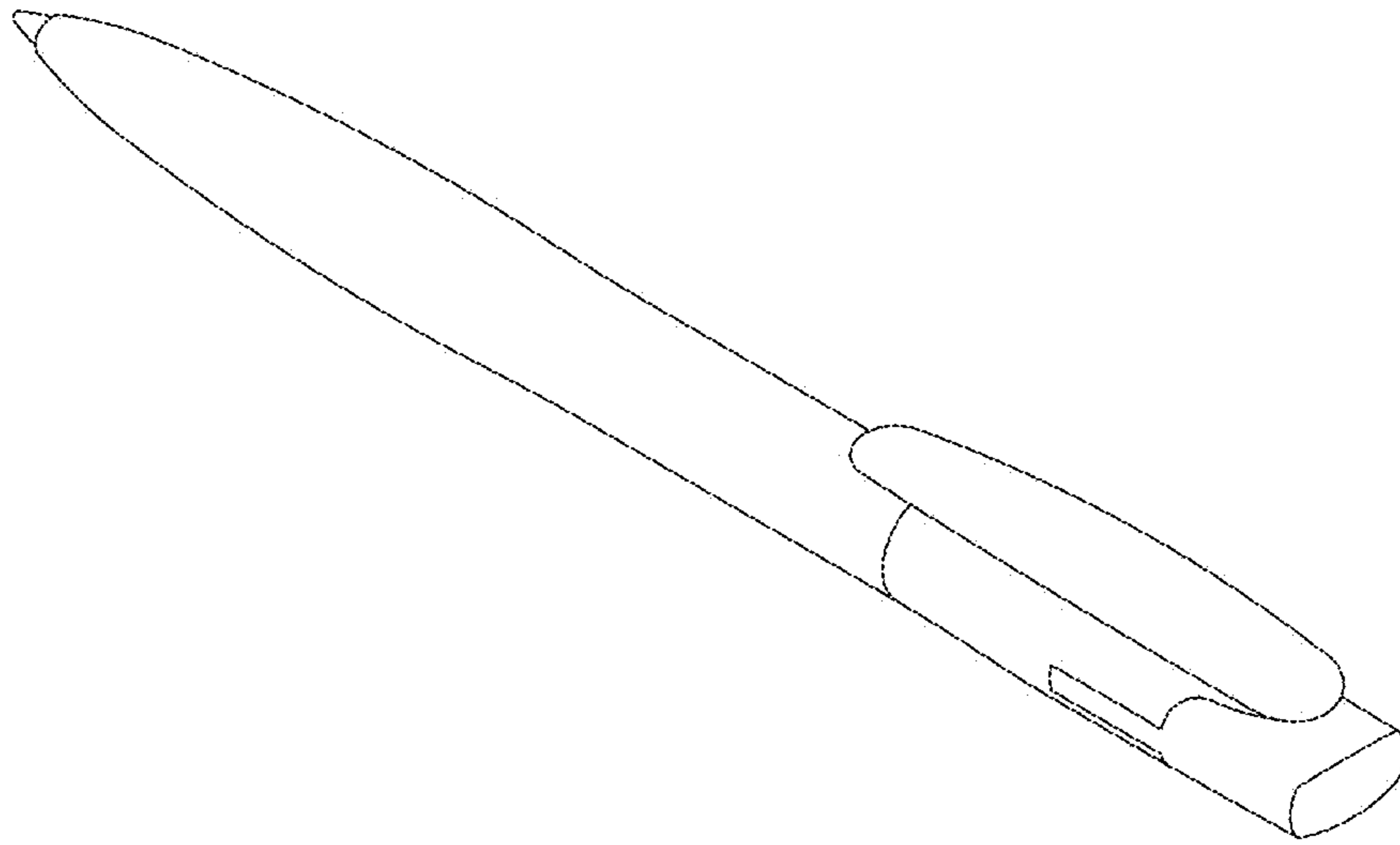


FIG.7

