



US00D754139S

(12) **United States Design Patent**
Billington

(10) **Patent No.:** **US D754,139 S**

(45) **Date of Patent:** **** Apr. 19, 2016**

(54) **USB MEMORY DEVICE**
(71) Applicant: **Charles Billington**, London (GB)
(72) Inventor: **Charles Billington**, London (GB)
(73) Assignee: **Groundhog S.A.**, Luxembourg (LU)
(**) Term: **15 Years**

7,482,680 B2 * 1/2009 Brewer G06K 19/005
235/457
D611,944 S * 3/2010 Kujawski D14/435.1
D623,192 S * 9/2010 Peng D14/480.6
D631,053 S * 1/2011 Bailey D10/70
D631,884 S * 2/2011 Klein D14/435.1
D640,263 S * 6/2011 Huang D14/480.3
D671,123 S * 11/2012 Ni D14/480.1
D686,987 S * 7/2013 Vanstone D13/108
D741,865 S * 10/2015 Sundermeyer D14/433
D743,401 S * 11/2015 Shimano D14/435.1

(21) Appl. No.: **29/530,580**

* cited by examiner

(22) Filed: **Jun. 17, 2015**

Primary Examiner — Angela J Lee

(30) **Foreign Application Priority Data**

(74) *Attorney, Agent, or Firm* — Douglas L Weller

Mar. 11, 2015 (EM) 002650622-0002

(51) **LOC (10) Cl.** **14-02**

(57) **CLAIM**

The ornamental design for a USB memory device, as shown and described.

(52) **U.S. Cl.**

USPC **D14/480.1**

DESCRIPTION

(58) **Field of Classification Search**

USPC D14/435.1, 480.1–480.7, 411, 433, 436,
D14/484.1, 137, 155, 203.1–203.8, 240,
D14/242, 133, 154

CPC H05K 5/0278; G06K 19/07732
See application file for complete search history.

FIG. 1 is a top plan view of the USB memory device.
FIG. 2 is a front elevational view of the USB memory device.
FIG. 3 is a left side elevational view of the USB memory device, the right being a mirror image of the left.
FIG. 4 is a rear elevational view of the USB memory device.
FIG. 5 is a bottom plan view of the USB memory device.
FIG. 6 is a top rear left perspective view of the USB memory device; and,
FIG. 7 is a top front left perspective view of the USB memory device.

(56) **References Cited**

U.S. PATENT DOCUMENTS

D511,519 S * 11/2005 Bone D14/480.1
6,999,322 B1 * 2/2006 Lin H05K 5/0278
361/733

1 Claim, 1 Drawing Sheet

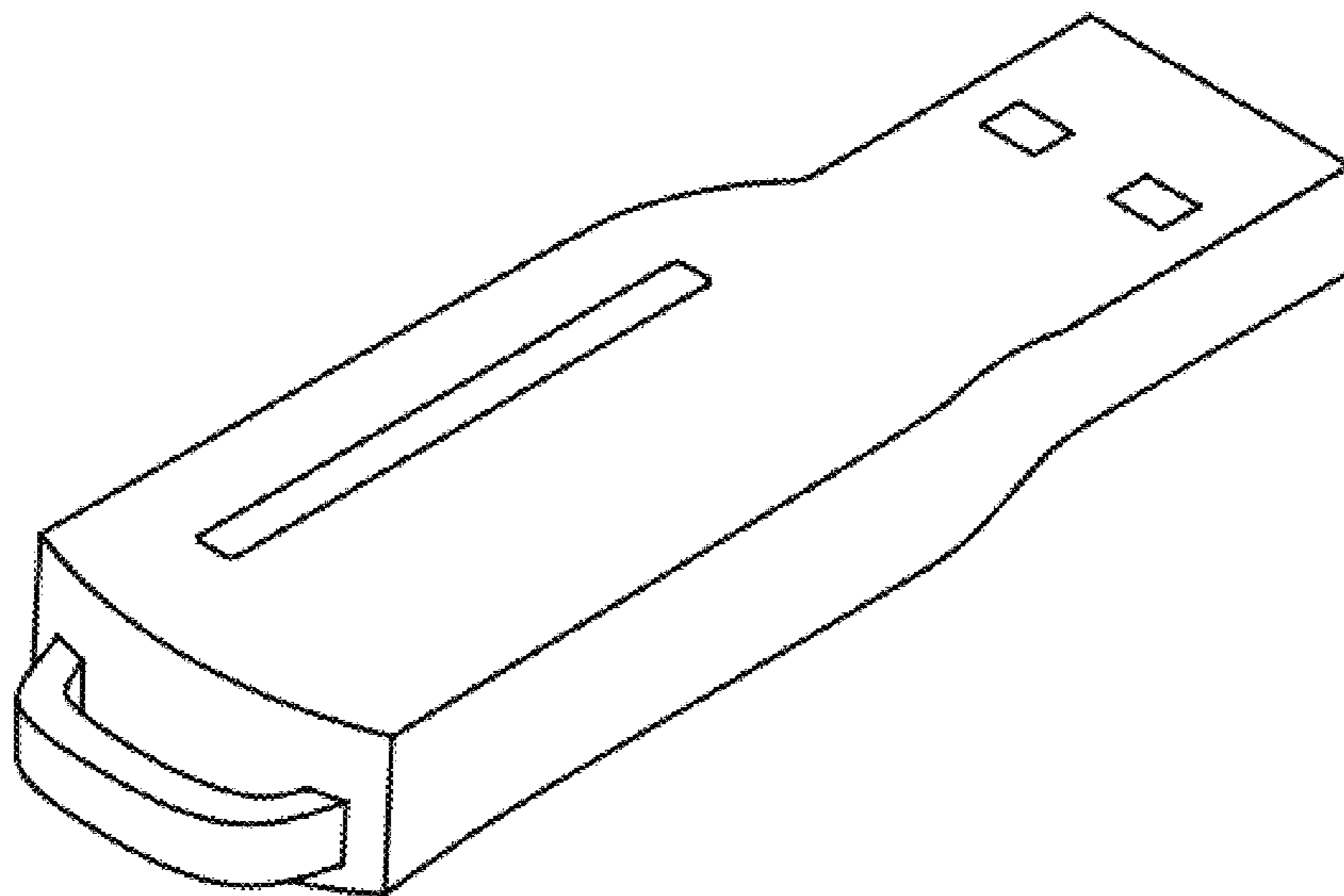


FIG.1

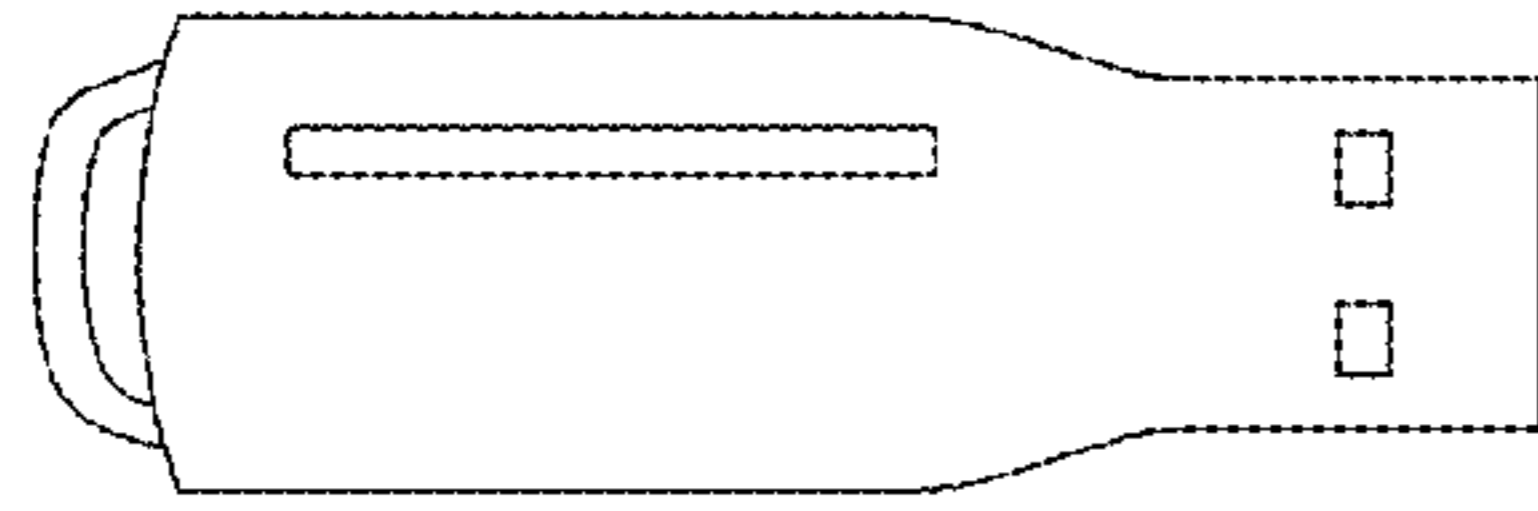


FIG.2

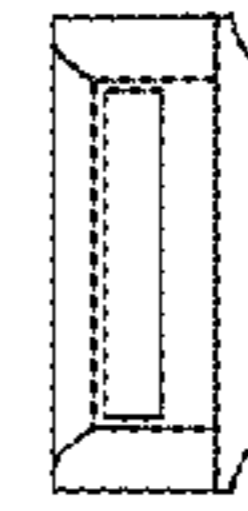


FIG.3

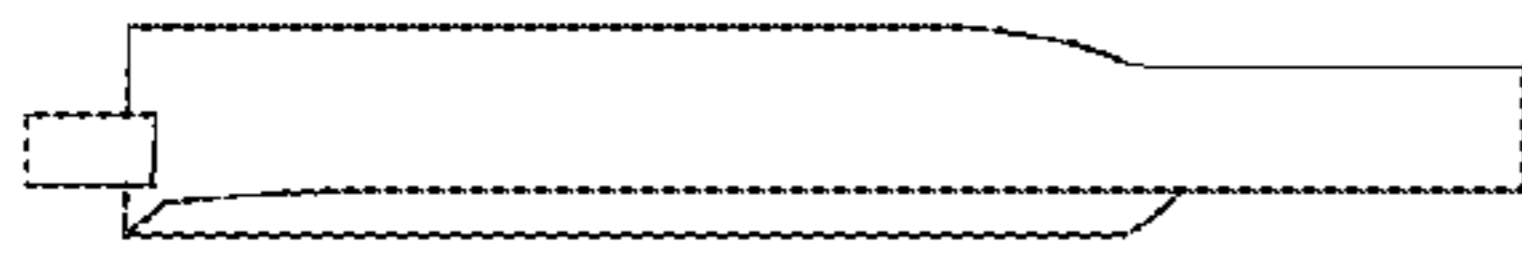


FIG.4

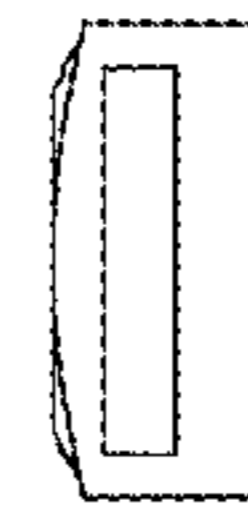


FIG.5

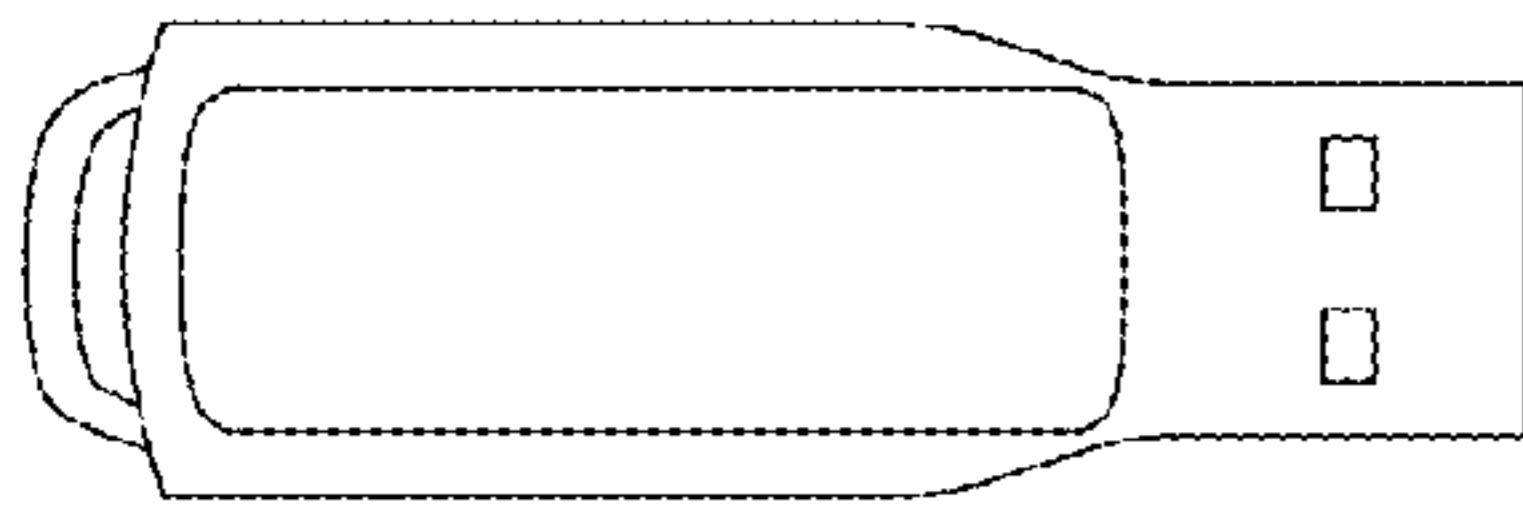


FIG.6

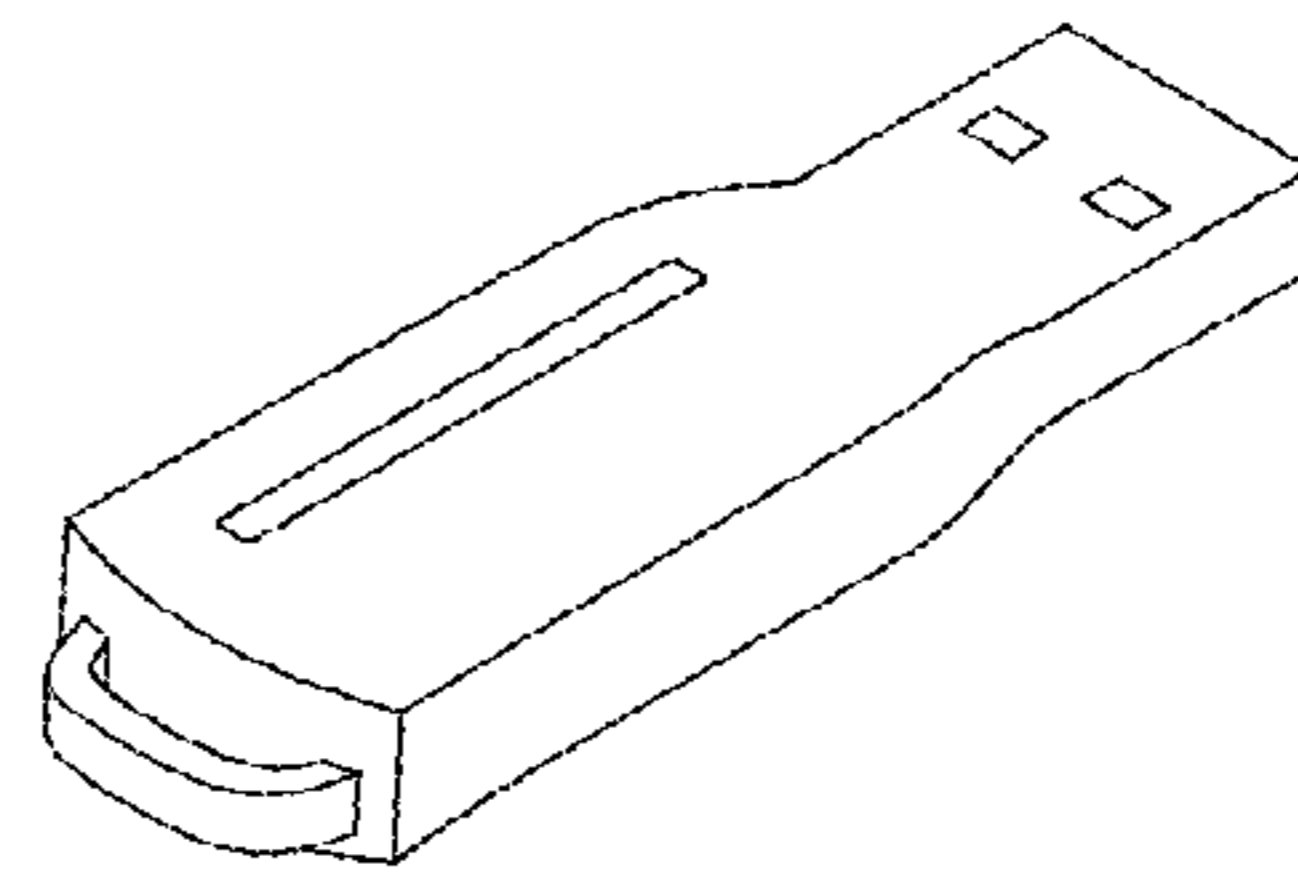


FIG.7

