



US00D754138S

(12) **United States Design Patent**  
**Otsuka et al.**

(10) **Patent No.:** **US D754,138 S**  
(45) **Date of Patent:** **\*\* Apr. 19, 2016**

(54) **RECORDING MEDIUM**

(71) Applicant: **Kabushiki Kaisha Toshiba**, Minato-ku,  
Tokyo (JP)

(72) Inventors: **Hitoshi Otsuka**, Tokyo (JP); **Masaaki Kurata**, Wako (JP); **Kousuke Yoneta**,  
Tokyo (JP)

(73) Assignee: **Kabushiki Kaisha Toshiba**, Minato-ku,  
Tokyo (JP)

(\*\*) Term: **14 Years**

(21) Appl. No.: **29/518,336**

(22) Filed: **Feb. 23, 2015**

(30) **Foreign Application Priority Data**

Nov. 26, 2014 (JP) ..... 2014-026374

(51) **LOC (10) Cl.** ..... **14-02**

(52) **U.S. Cl.**  
USPC ..... **D14/480.1**

(58) **Field of Classification Search**  
USPC ..... D14/435.1, 480.1-480.7, 411, 433, 436,  
D14/484.1, 137, 155, 203.1-203.8, 240,  
D14/242, 133, 154  
CPC ..... H05K 5/0278; G06K 19/07732  
See application file for complete search history.

(56) **References Cited**

**U.S. PATENT DOCUMENTS**

- D513,005 S \* 12/2005 Kobayakawa ..... D14/480.1
- D542,789 S \* 5/2007 Depay ..... D14/435.1
- D583,374 S \* 12/2008 Otsuka ..... D14/480.5
- D623,192 S \* 9/2010 Peng ..... D14/480.6
- D631,053 S \* 1/2011 Bailey ..... D10/70
- D656,148 S \* 3/2012 Schlosstein ..... D14/480.6
- D662,941 S \* 7/2012 Emami ..... D14/480.3
- D675,215 S 1/2013 Akana et al.

- D698,679 S 2/2014 Lindley
- D706,277 S \* 6/2014 Fukuoka ..... D14/480.1
- D706,278 S \* 6/2014 Fukuoka ..... D14/480.5
- D709,513 S \* 7/2014 Huang ..... D14/480.3
- 8,929,063 B2 \* 1/2015 Emami ..... H05K 5/0278  
361/679.32
- D724,600 S \* 3/2015 Hsieh ..... D14/480.1
- 2009/0122478 A1 \* 5/2009 Lin ..... H05K 5/0278  
361/679.32

**FOREIGN PATENT DOCUMENTS**

- CN 301867355 3/2012
- CN 302559912 5/2012
- CN 302254279 12/2012
- CN 302599334 10/2013
- JP S1464766 3/2013
- JP S1482734 10/2013
- KR 30-0494640 6/2008

\* cited by examiner

*Primary Examiner* — Angela J Lee

(74) *Attorney, Agent, or Firm* — Banner & Witcoff, Ltd.

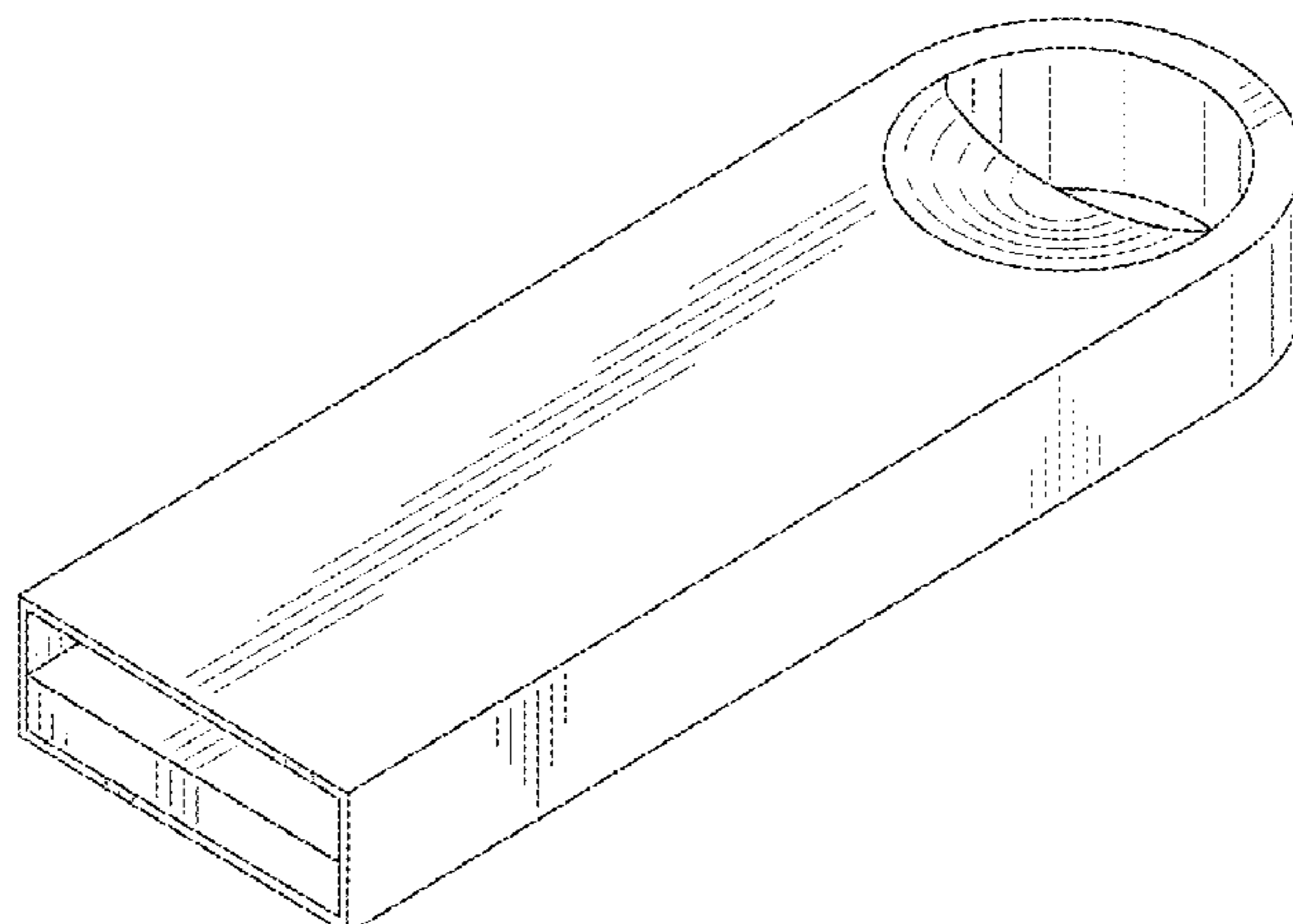
(57) **CLAIM**

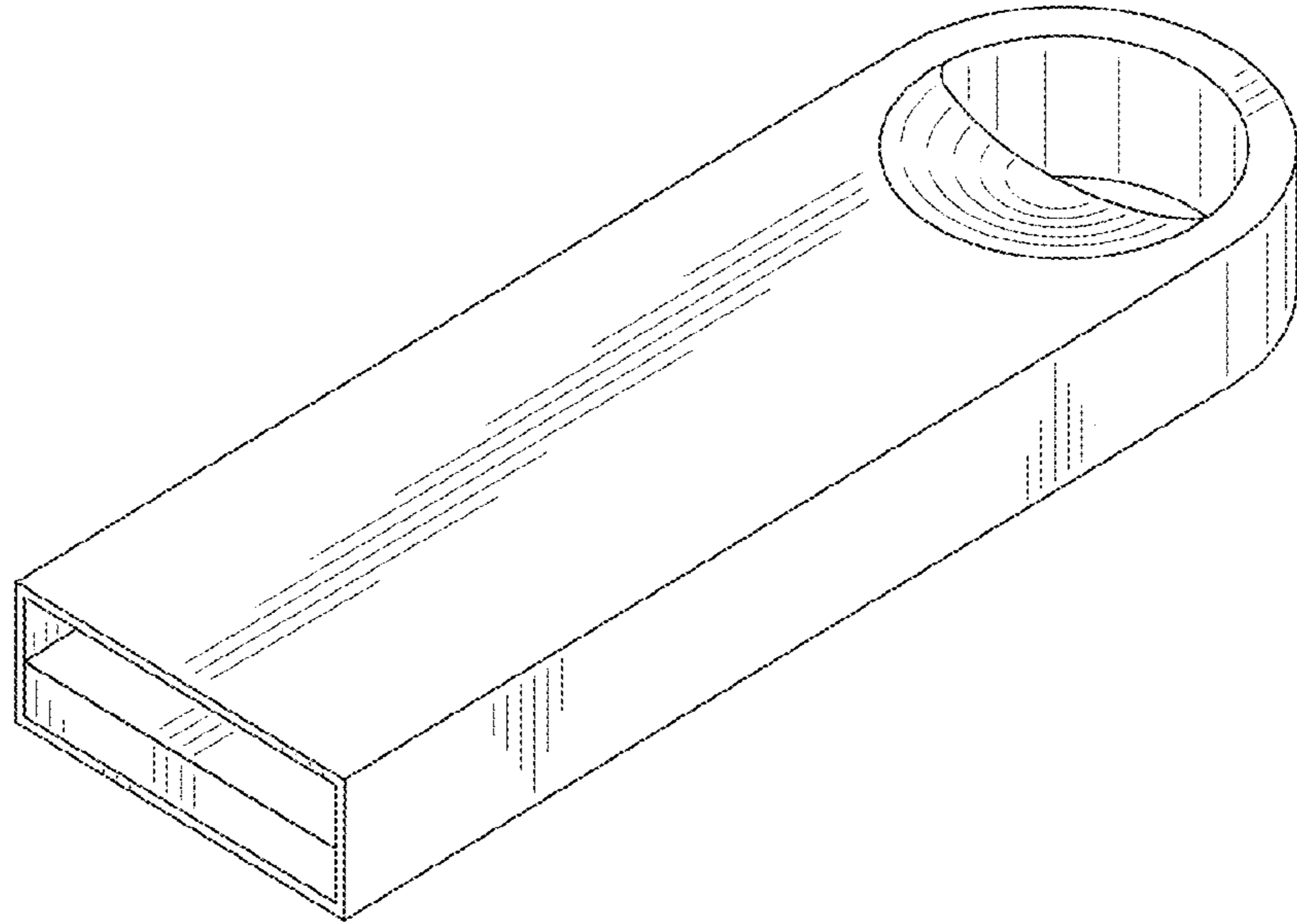
The ornamental design for a recording medium, as shown and described.

**DESCRIPTION**

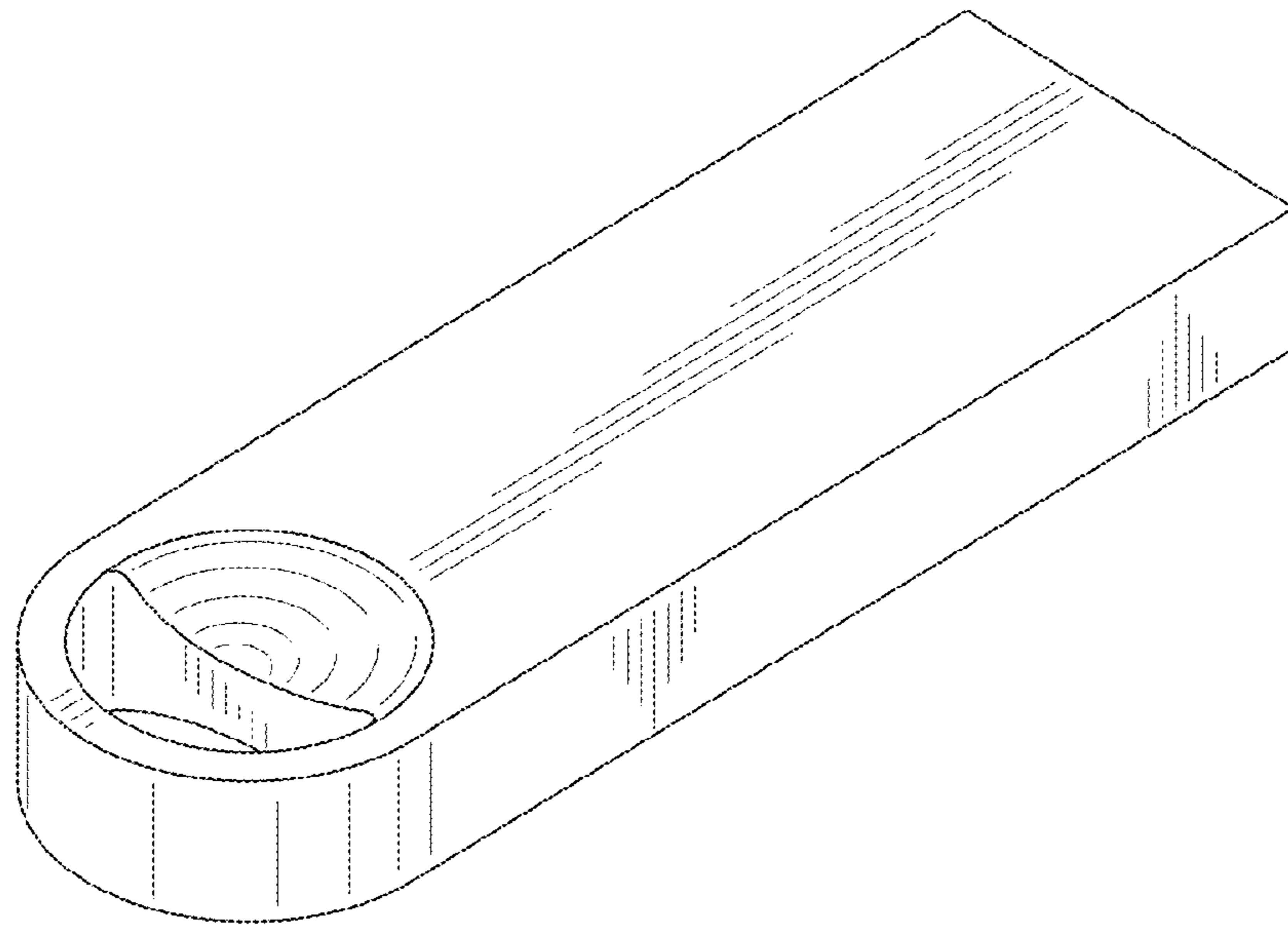
FIG. 1 is a front, bottom and left side perspective view of a recording medium, showing our new design;  
 FIG. 2 is a rear, bottom and right side perspective view thereof;  
 FIG. 3 is a front view thereof, the rear being symmetrical;  
 FIG. 4 is a top view thereof, the bottom being identical;  
 FIG. 5 is a left side view thereof;  
 FIG. 6 is a right side view thereof; and,  
 FIG. 7 is a cross sectional view thereof, taken along line 7-7 in FIG. 3.  
 The broken lines shown in FIG. 7 are for environmental purposes only and form no part of the claimed design.

**1 Claim, 2 Drawing Sheets**

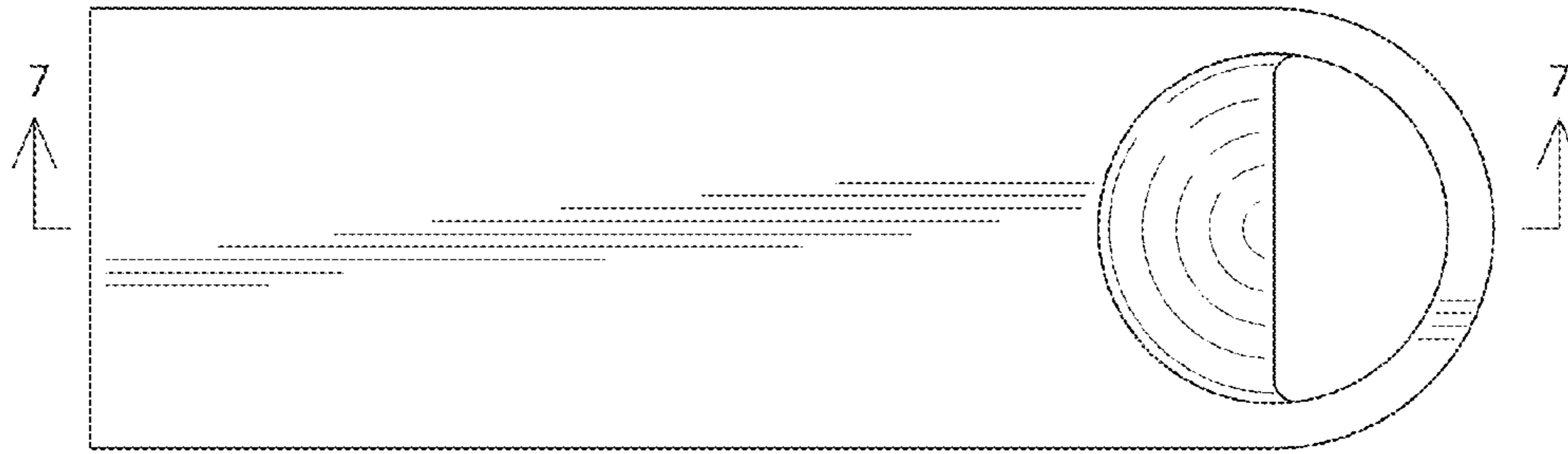




*Fig. 1*



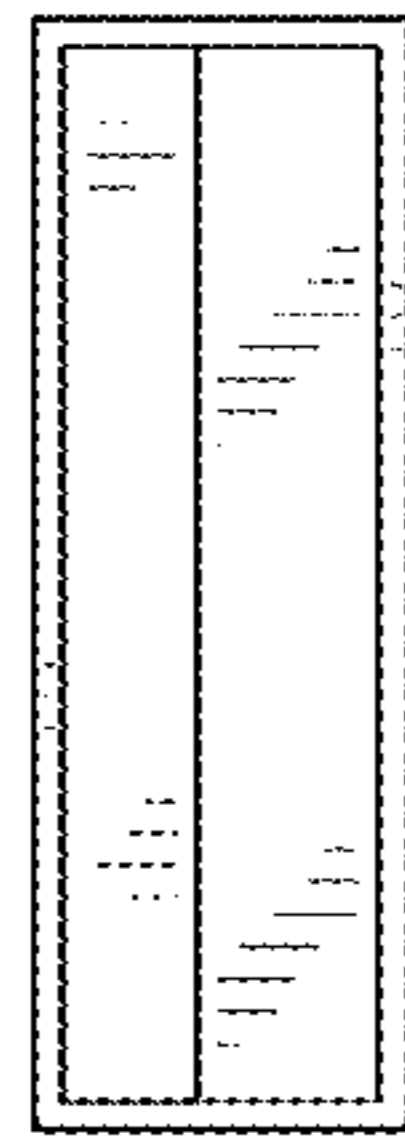
*Fig. 2*



*Fig. 3*



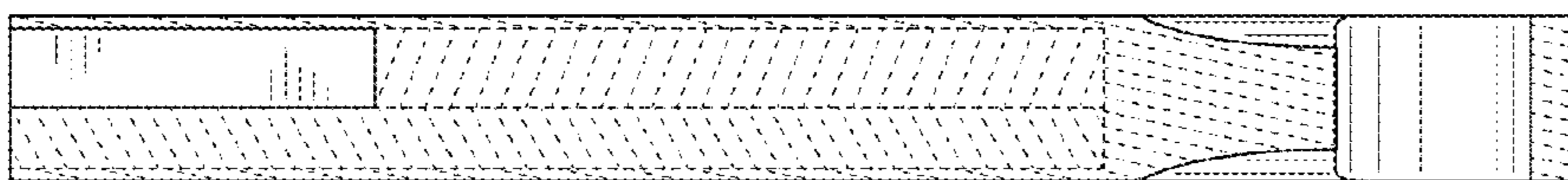
*Fig. 4*



*Fig. 5*



*Fig. 6*



*Fig. 7*