



US00D754135S

(12) **United States Design Patent**
Cromack et al.

(10) **Patent No.:** **US D754,135 S**
(45) **Date of Patent:** **** Apr. 19, 2016**

(54) **TABLET STAND**

(71) Applicants: **Kerry Cromack**, Round Lake Beach, IL (US); **Ray Nicholas**, Ingleside, IL (US)

(72) Inventors: **Kerry Cromack**, Round Lake Beach, IL (US); **Ray Nicholas**, Ingleside, IL (US)

(**) Term: **14 Years**

(21) Appl. No.: **29/518,632**

(22) Filed: **Feb. 25, 2015**

(51) **LOC (10) Cl.** **08-07**

(52) **U.S. Cl.**
USPC **D14/447**

(58) **Field of Classification Search**
USPC D3/218; D6/406.3, 406.4, 406.5, 406.6
CPC A45C 2011/003; A45C 2011/002;
A45C 13/002; A47B 2023/049; A47B
2097/005; A47B 2097/006; A47B 21/04;
A47B 23/00; A47B 23/043; A47B 2021/0307;
A47B 2023/005; F16M 2200/00; H04B
1/3888; H04M 1/04; H04M 1/185
See application file for complete search history.

(56) **References Cited**

U.S. PATENT DOCUMENTS

D671,543 S * 11/2012 Sogabe D14/447
D675,212 S * 1/2013 Chen D14/447

D676,055 S * 2/2013 Izen D14/447
D690,708 S * 10/2013 Smith D14/447
D692,009 S * 10/2013 Ashida D14/447
D693,826 S * 11/2013 Ashida D14/447
D695,747 S * 12/2013 Hobbs D14/447
D703,676 S * 4/2014 Smith D14/447
D711,885 S * 8/2014 Ohshima D14/434
D714,297 S * 9/2014 Poulsen D14/447
D722,062 S * 2/2015 Zwerner D14/447
D722,064 S * 2/2015 Zwerner D14/447
D722,065 S * 2/2015 Zwerner D14/447

* cited by examiner

Primary Examiner — Angela J Lee

(74) *Attorney, Agent, or Firm* — Richards Patent Law P.C.

(57) **CLAIM**

The ornamental design for a tablet stand, as shown and described.

DESCRIPTION

FIG. 1 is a perspective view of a tablet stand;
FIG. 2 is a front side view of the tablet stand;
FIG. 3 is a back side view of the tablet stand;
FIG. 4 is a right side view of the tablet stand;
FIG. 5 is a left side view of the tablet stand;
FIG. 6 is a top view of the tablet stand; and,
FIG. 7 is a bottom view of the tablet stand.

1 Claim, 7 Drawing Sheets

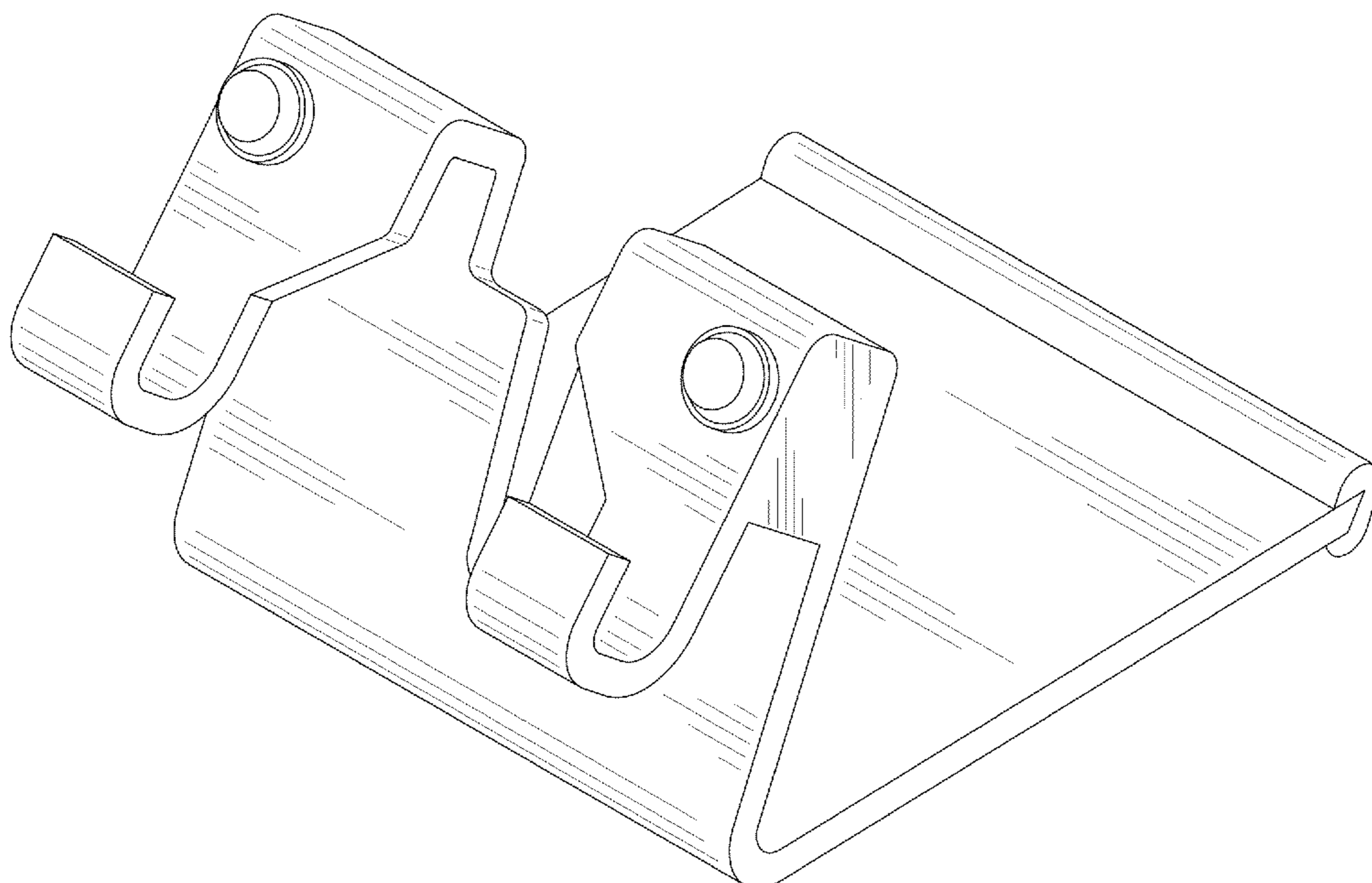


FIG. 1

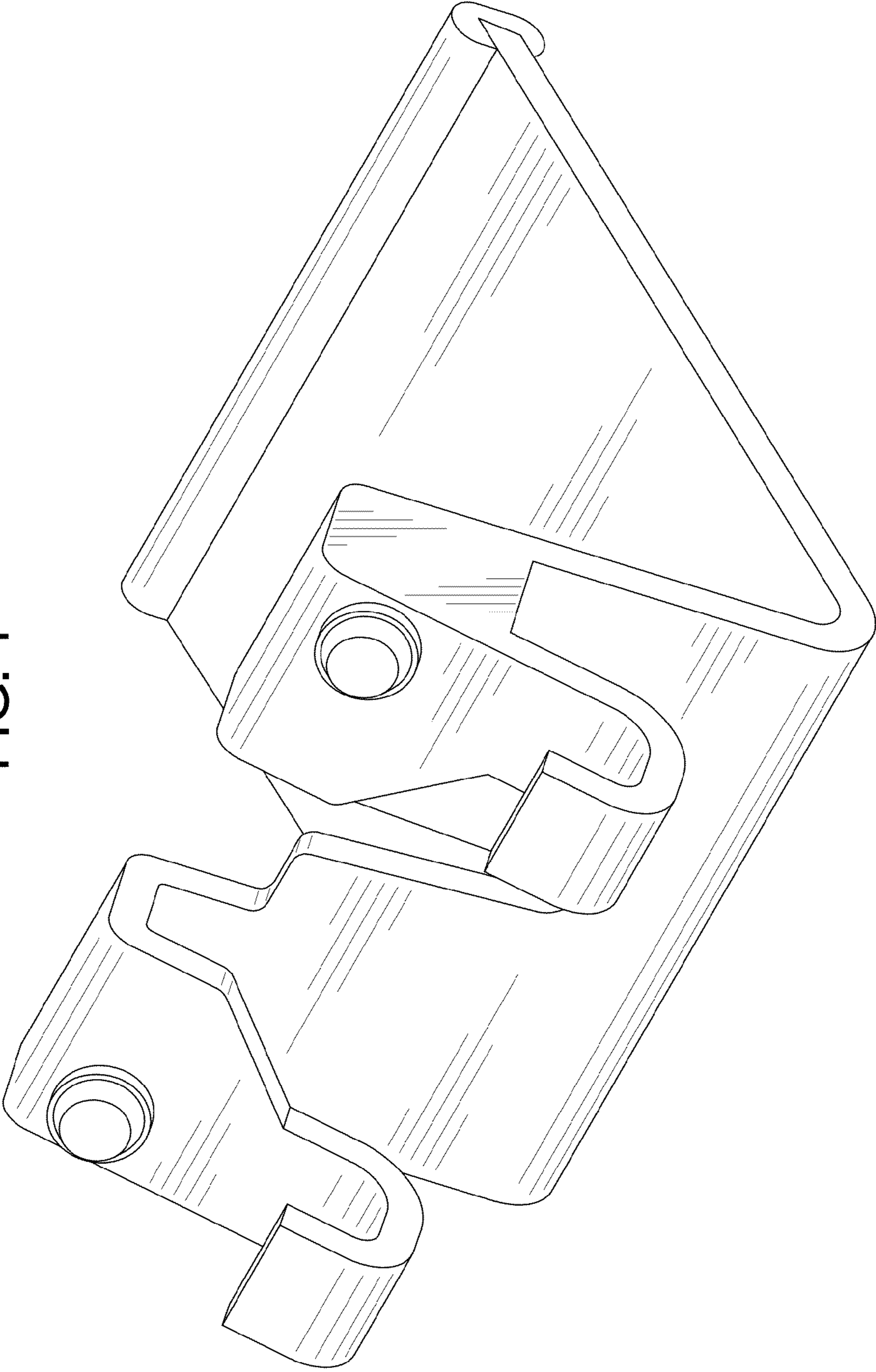


FIG. 2

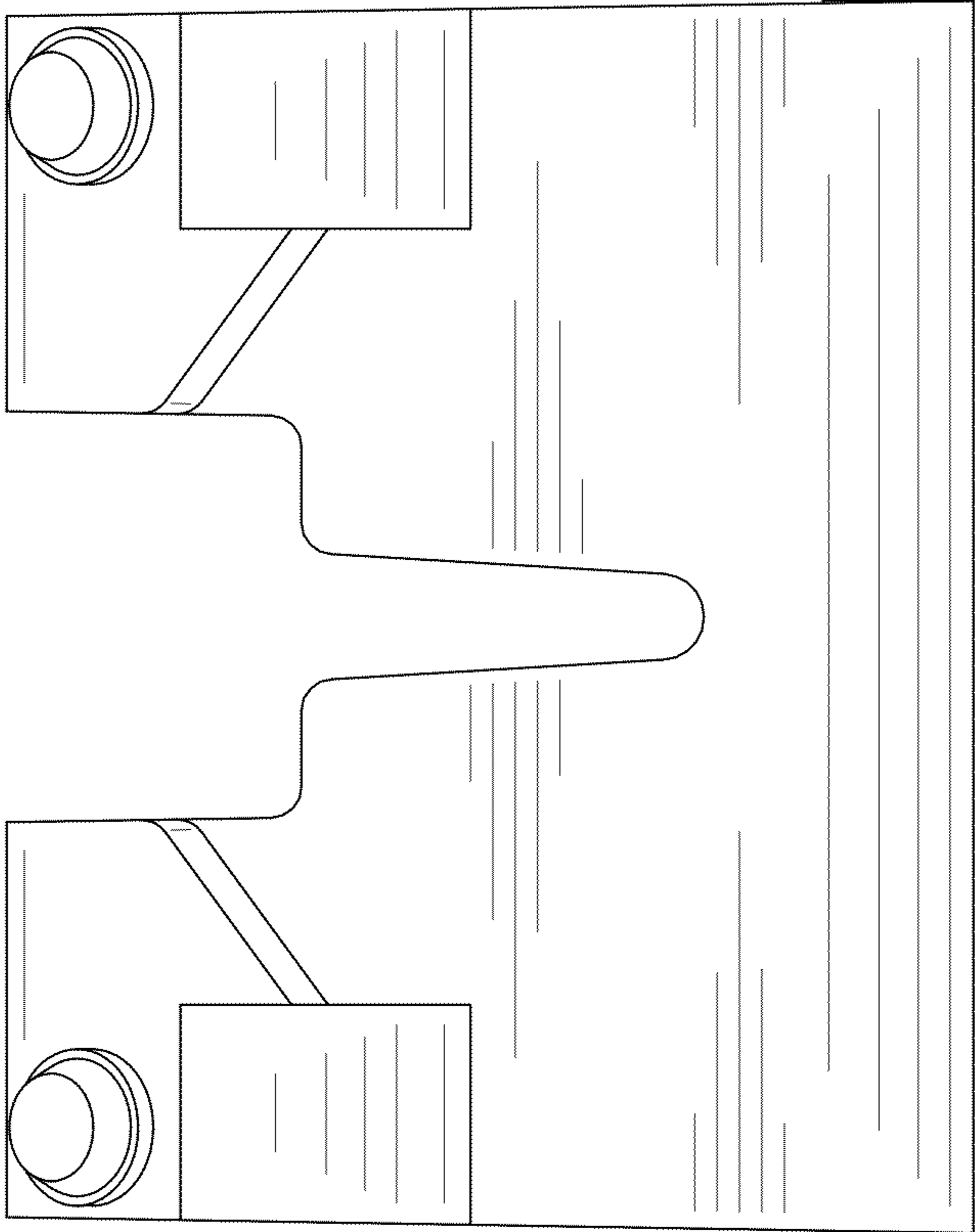


FIG. 3

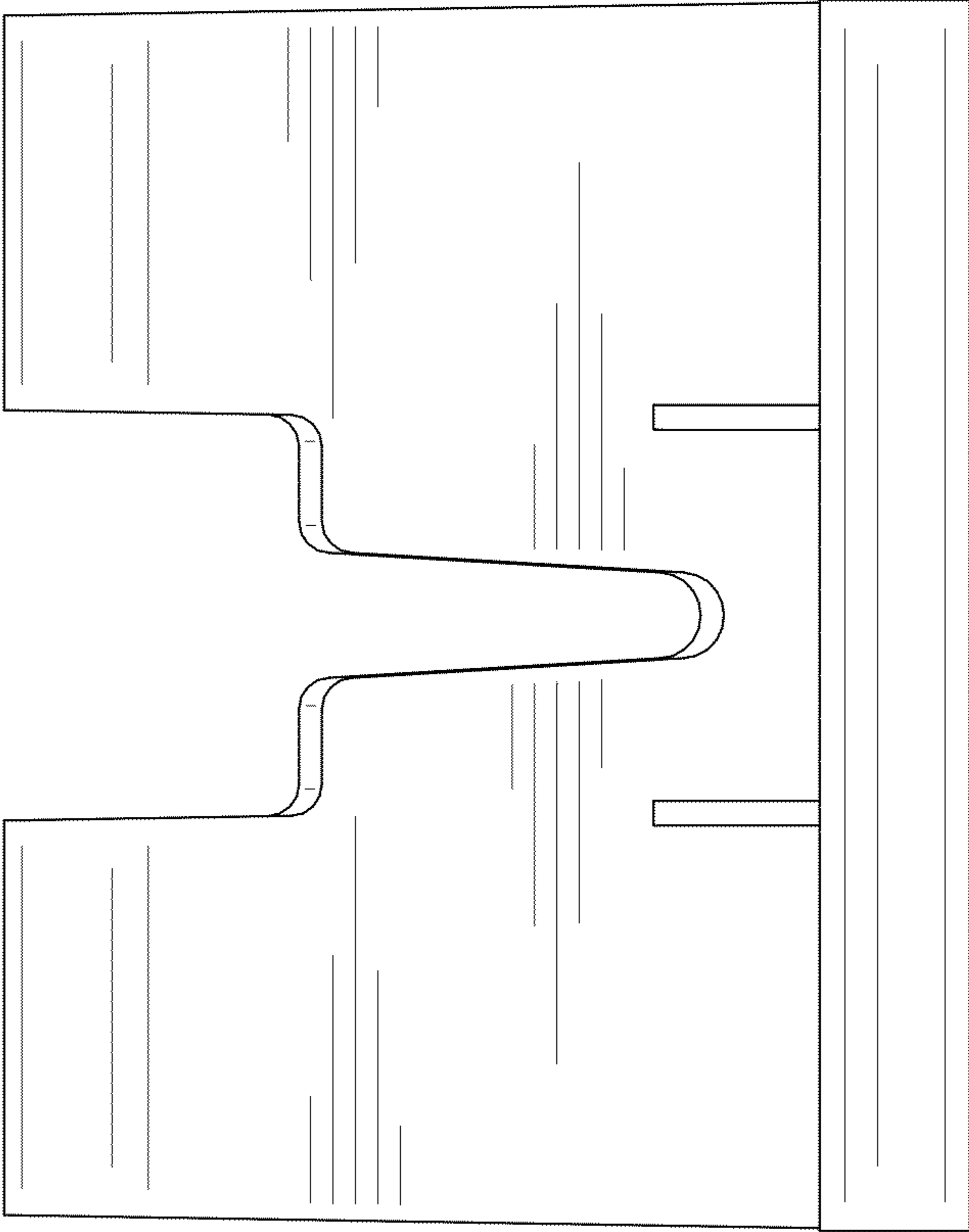


FIG. 4

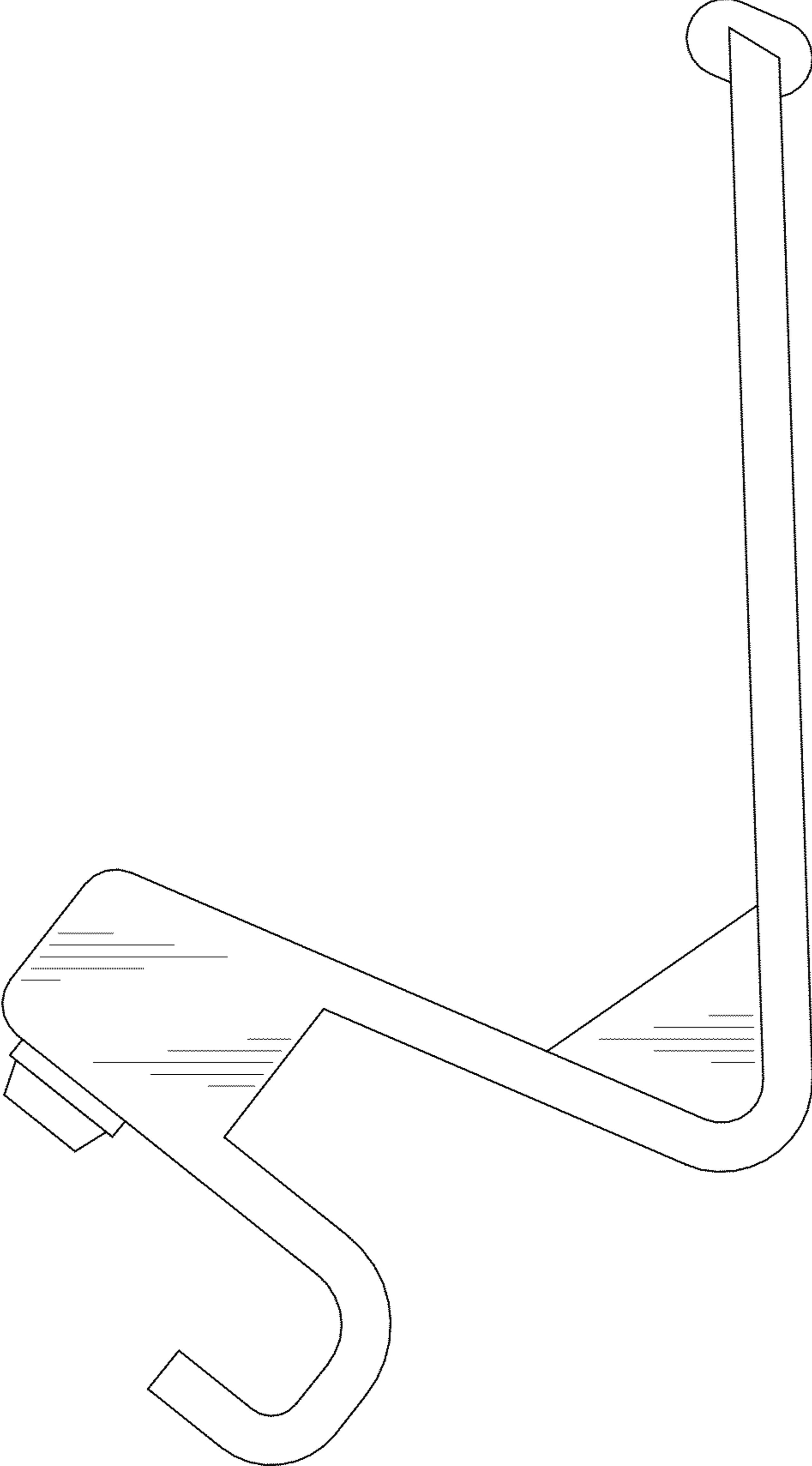


FIG. 5

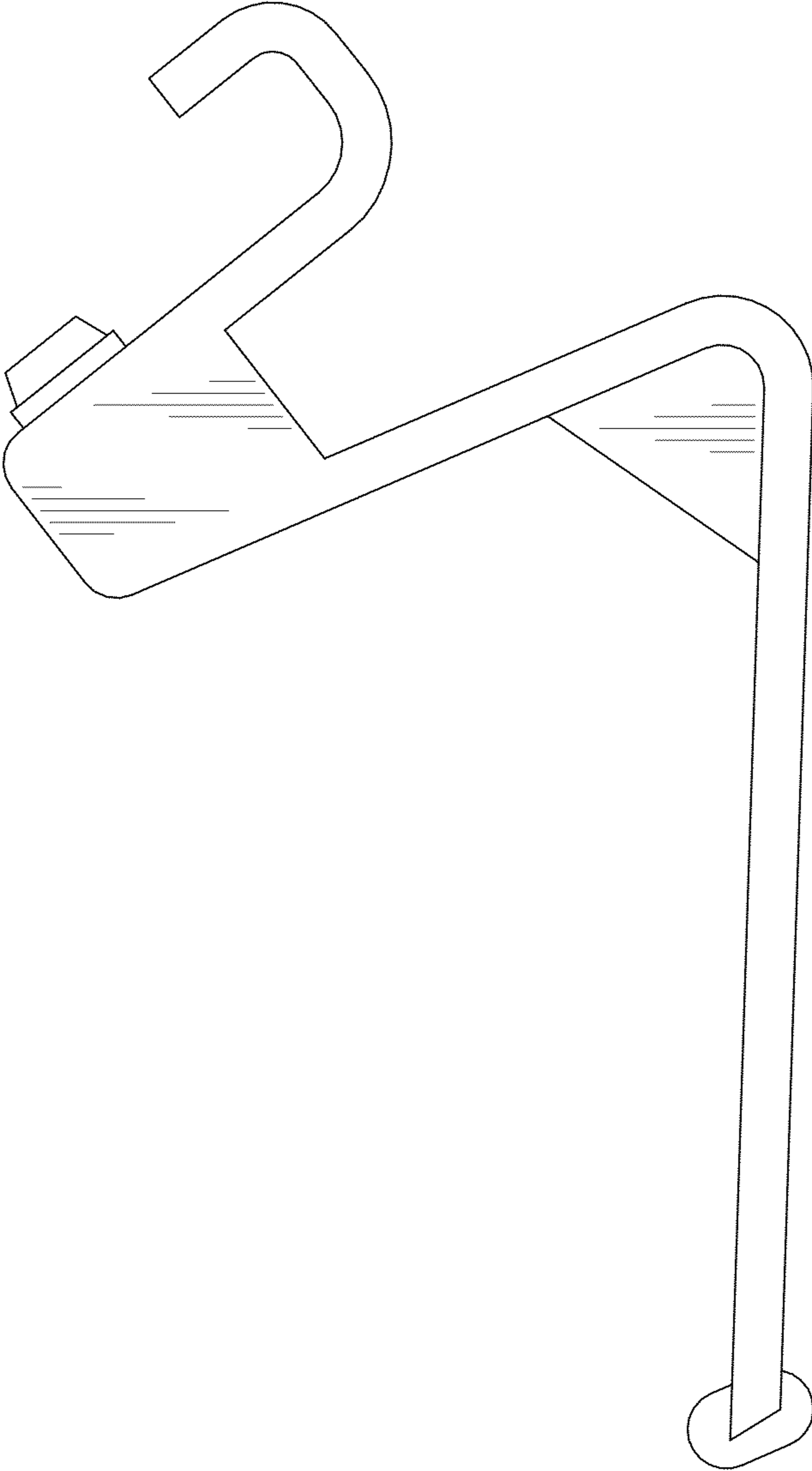


FIG. 6

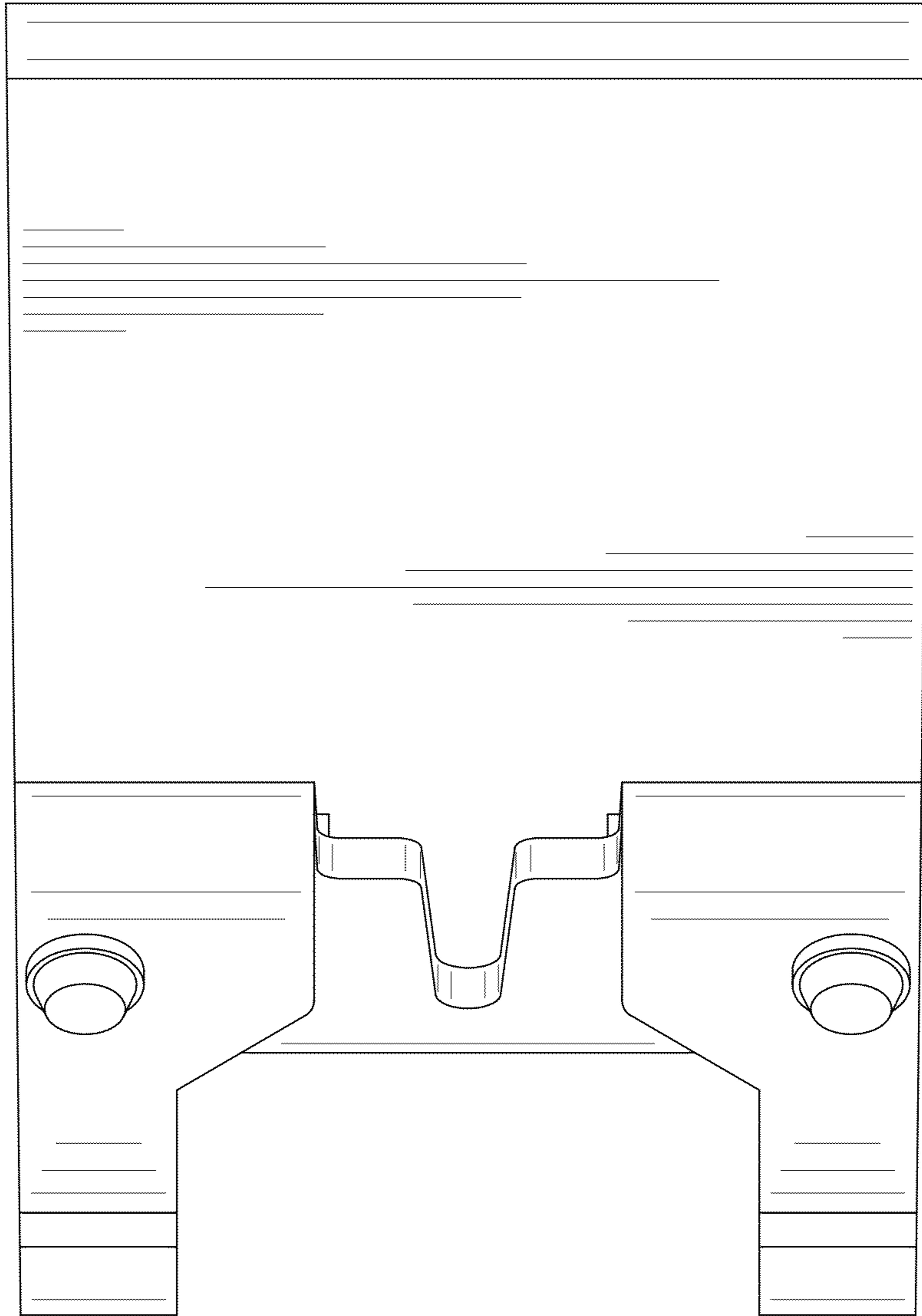


FIG. 7

