



US00D754129S

(12) **United States Design Patent**
Kao

(10) **Patent No.:** **US D754,129 S**
(45) **Date of Patent:** **** Apr. 19, 2016**

(54) **STYLUS WITH ILLUMINATION DEVICE**

(71) Applicant: **Wen-Chun Kao**, Taipei (TW)

(72) Inventor: **Wen-Chun Kao**, Taipei (TW)

(**) Term: **14 Years**

(21) Appl. No.: **29/524,729**

(22) Filed: **Apr. 22, 2015**

(51) **LOC (10) Cl.** **14-02**

(52) **U.S. Cl.**
USPC **D14/411**

(58) **Field of Classification Search**
USPC D14/411; D19/35, 36, 41-51, 54-58;
401/55, 99, 100, 104-107, 196, 197,
401/202, 208, 209, 213, 192, 195, 243;
708/107; 345/179, 173; 178/19.01;
700/94

CPC G06F 3/016; G06F 3/033; G06F 3/0317;
G06F 3/03545; G06F 3/041; G06K 9/222

See application file for complete search history.

(56) **References Cited**

U.S. PATENT DOCUMENTS

6,505,984	B2 *	1/2003	Smith	B43K 19/00
					15/424
7,001,092	B1 *	2/2006	Varughese	B43K 21/00
					401/111
7,377,709	B2 *	5/2008	Butler	A45D 40/18
					401/17
D619,580	S *	7/2010	Nakayama	D14/411
D662,097	S *	6/2012	Lin	D14/411
D675,621	S *	2/2013	Fletcher	D14/411
D679,708	S *	4/2013	Li	D14/411
D694,757	S *	12/2013	Wu	D14/411
D695,741	S *	12/2013	Wang	D14/411

D709,886	S *	7/2014	Lin	D14/411
D709,887	S *	7/2014	Yagi	D14/411
D711,882	S *	8/2014	Yeo	D14/411
D715,298	S *	10/2014	Hong	D14/411
D717,798	S *	11/2014	Groene	D14/411
D725,113	S *	3/2015	Roskopp	D14/411
D725,114	S *	3/2015	Roskopp	D14/411
D727,325	S *	4/2015	Spector	D14/411
D727,903	S *	4/2015	Madsen	D14/411
D737,275	S *	8/2015	Dowd	D14/411
D743,396	S *	11/2015	Wade	D14/411
2009/0142126	A1 *	6/2009	Dickover	B42K 23/002
					401/131

* cited by examiner

Primary Examiner — Austin Murphy

(74) *Attorney, Agent, or Firm* — Raymond Y. Chan; David and Raymond Patent Firm

(57) **CLAIM**

The ornamental design for a stylus with illumination device, as shown and described.

DESCRIPTION

FIG. 1 is a perspective view of stylus with illumination device showing my new design.

FIG. 2 is another perspective view thereof, showing the illumination device of the stylus.

FIG. 3 is a front elevational view thereof.

FIG. 4 is a rear elevational view thereof.

FIG. 5 is a right side elevational view thereof.

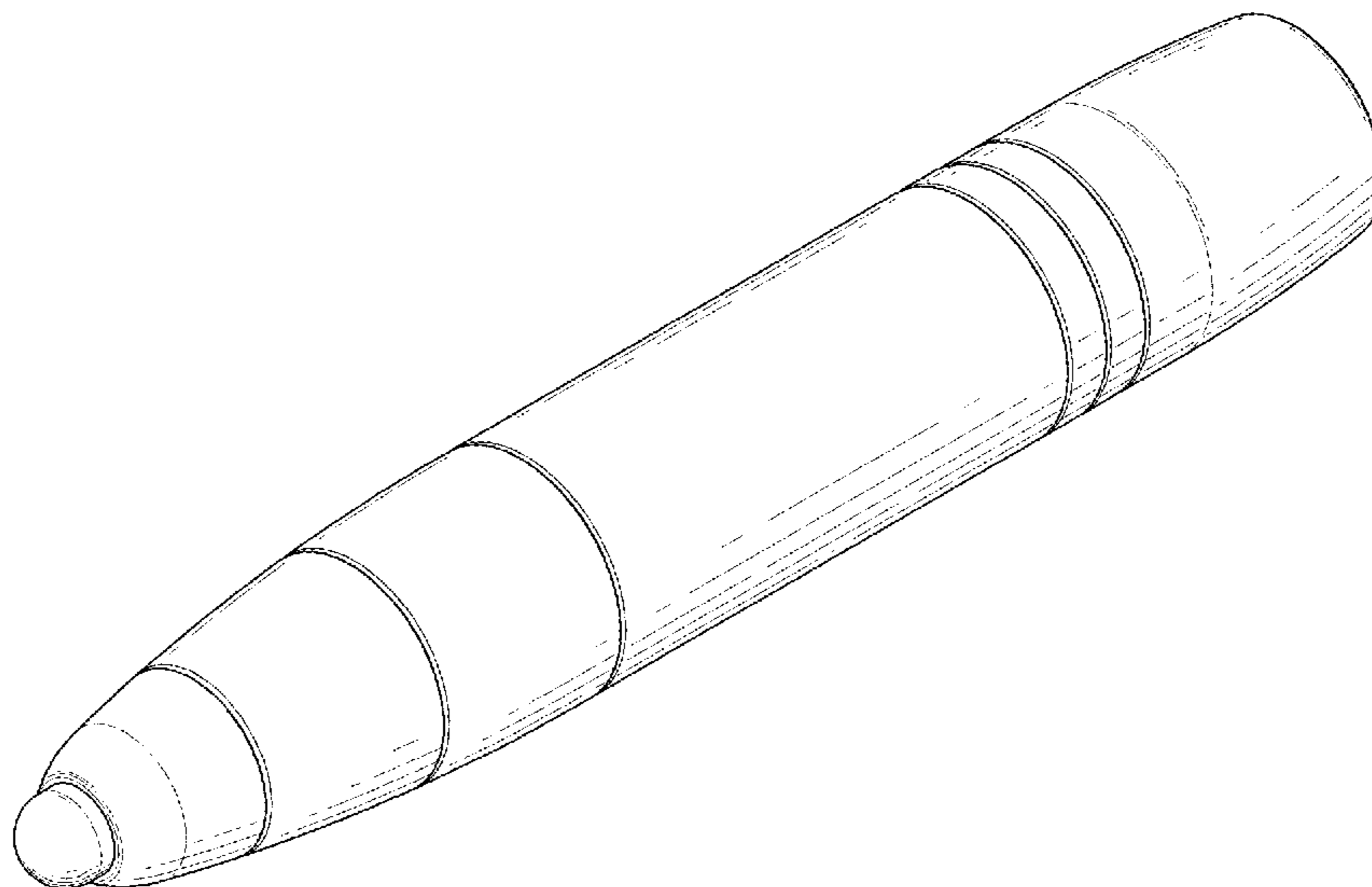
FIG. 6 is a left side elevational view thereof.

FIG. 7 is a top plan view thereof; and,

FIG. 8 is a bottom plan view thereof.

The broken line in the drawing is included for the purpose of illustrating environmental detail and forms no part of the claimed design.

1 Claim, 7 Drawing Sheets



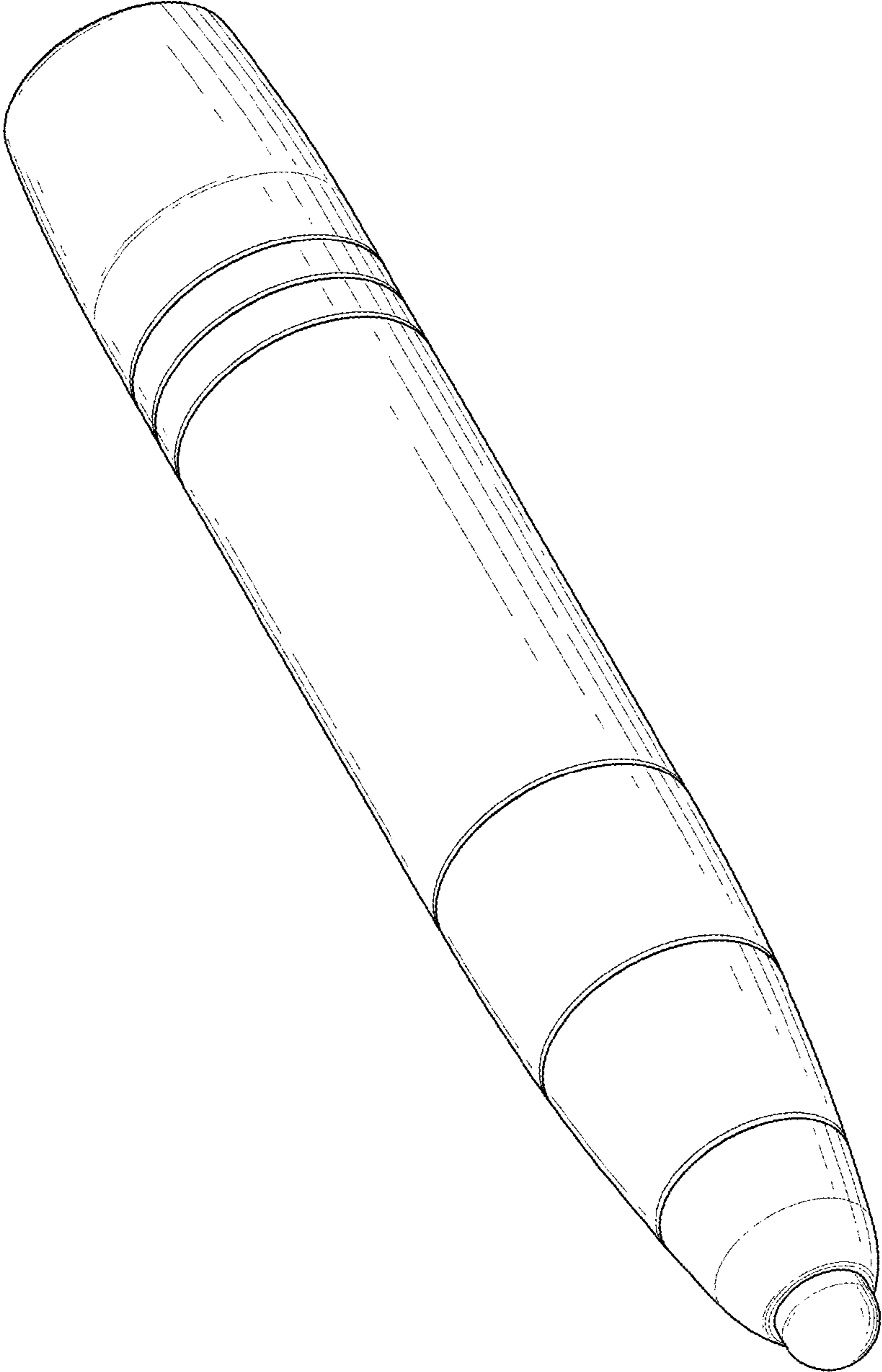


FIG. 1

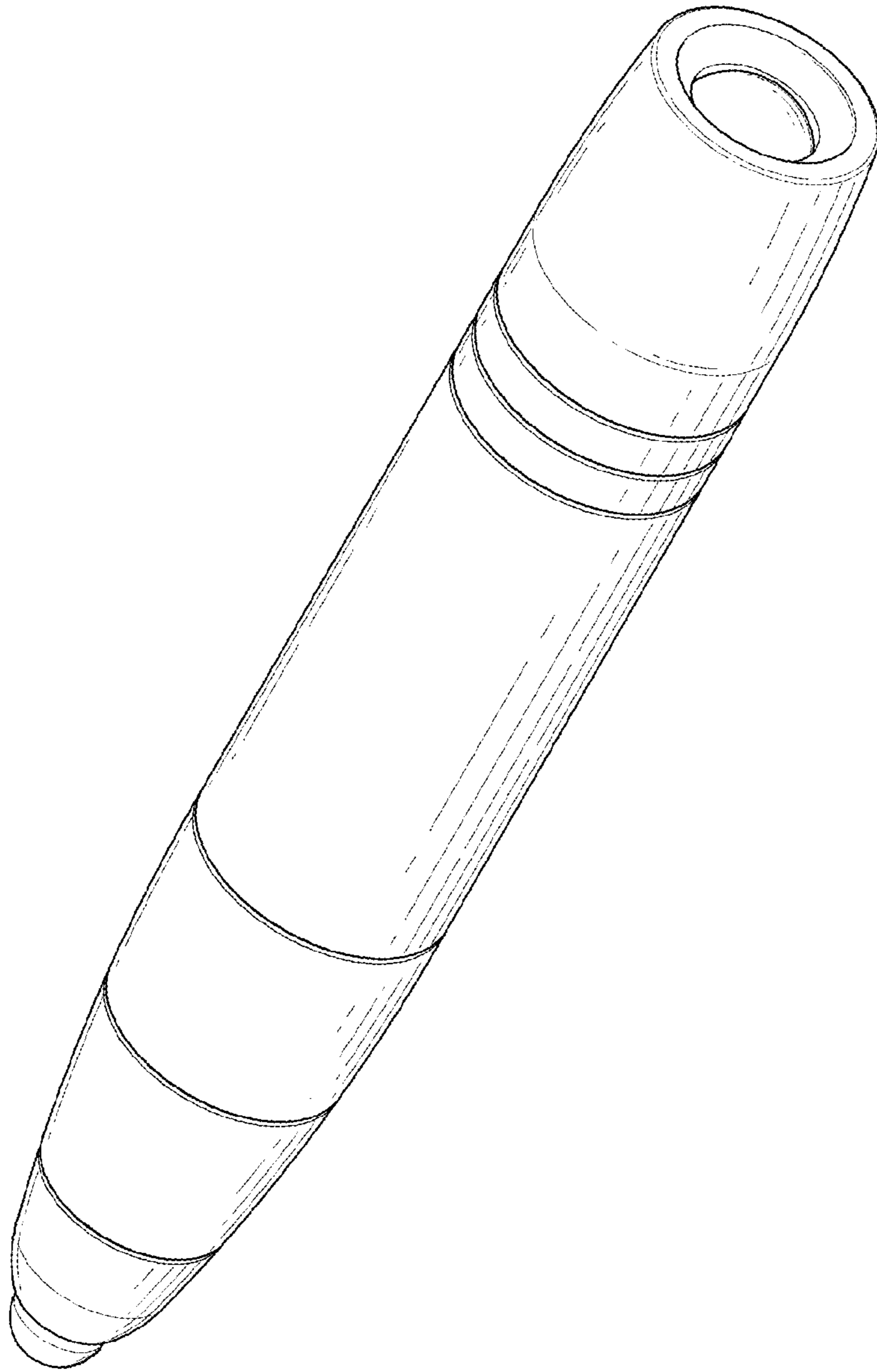


FIG. 2

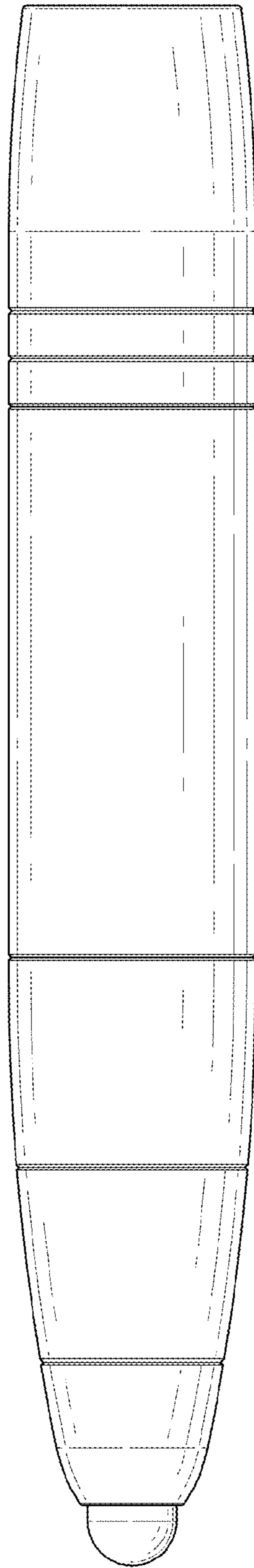


FIG. 3

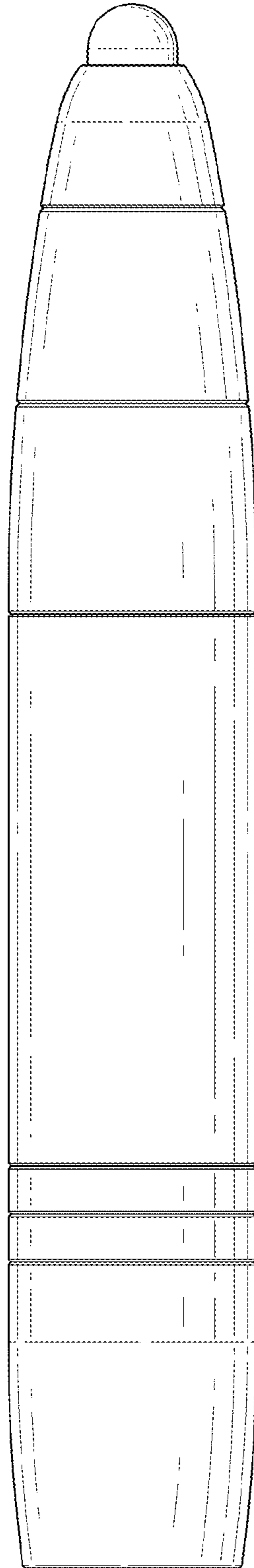


FIG. 4

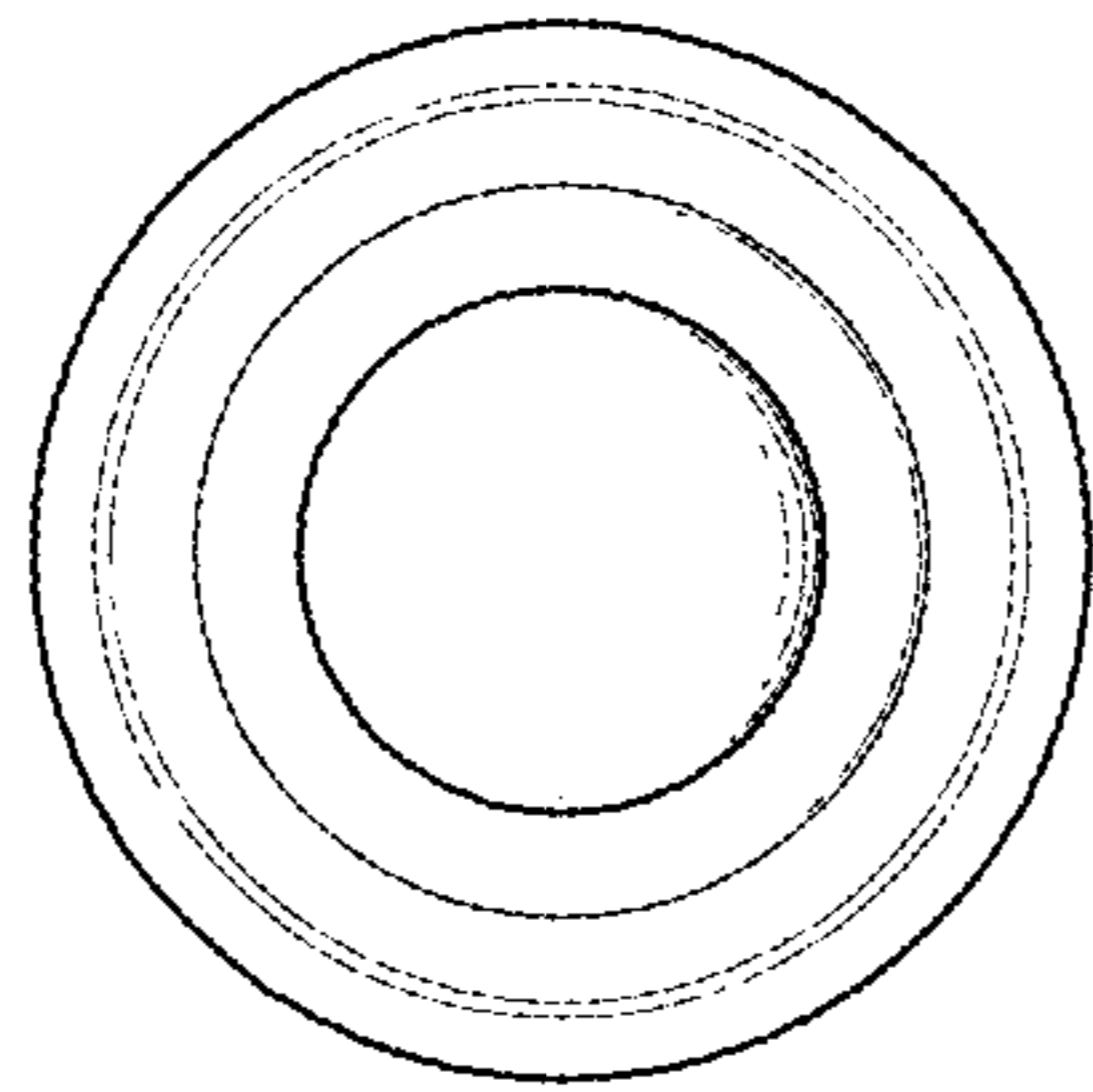


FIG. 6

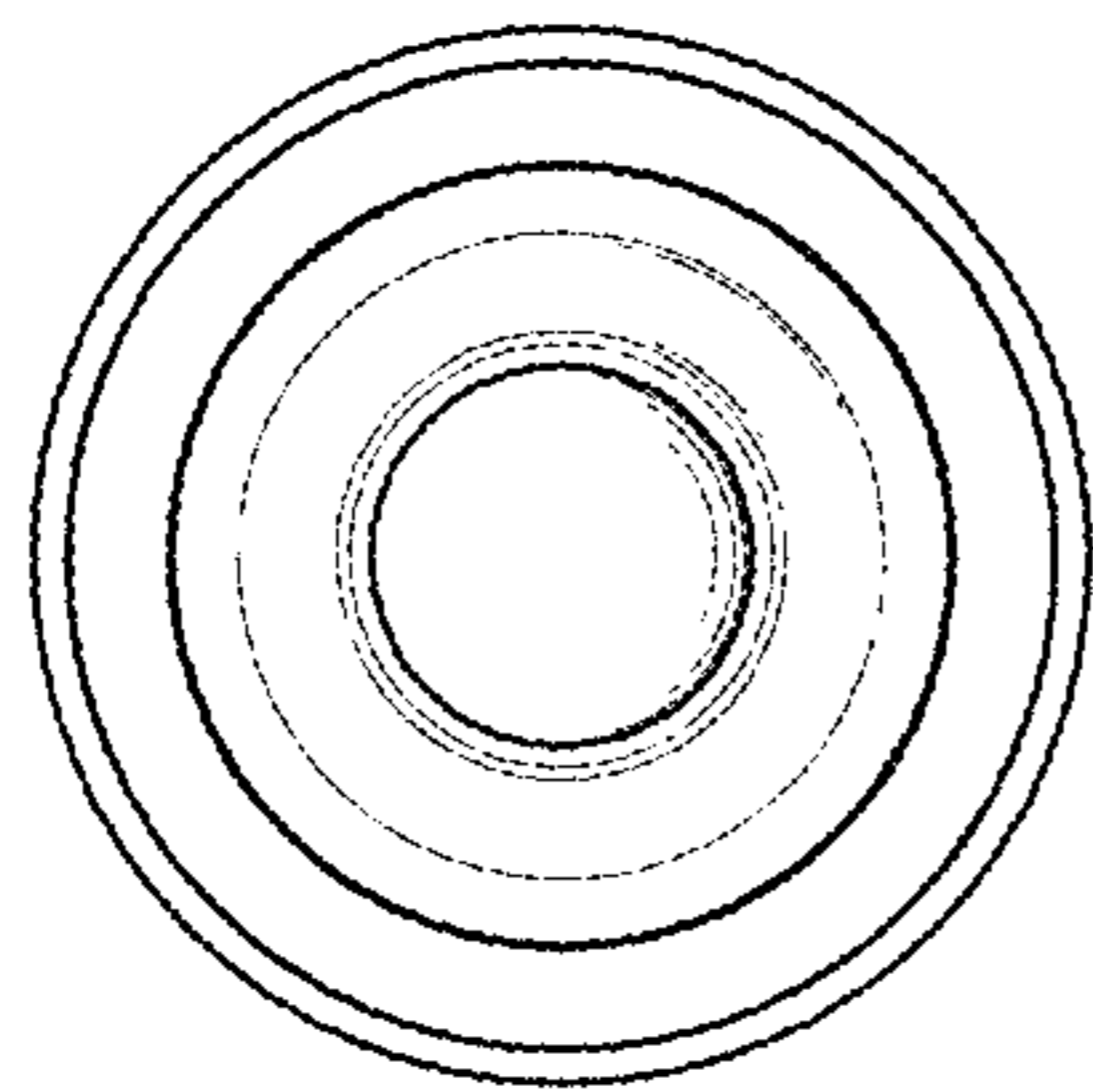


FIG. 5

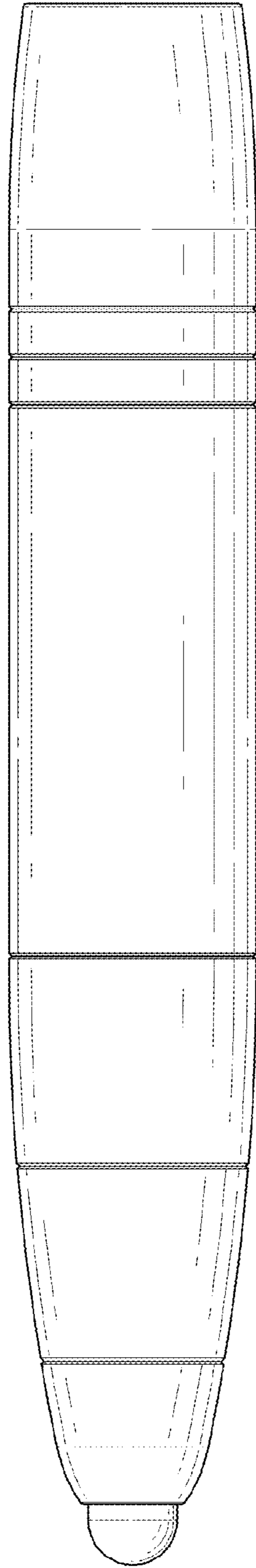


FIG. 7

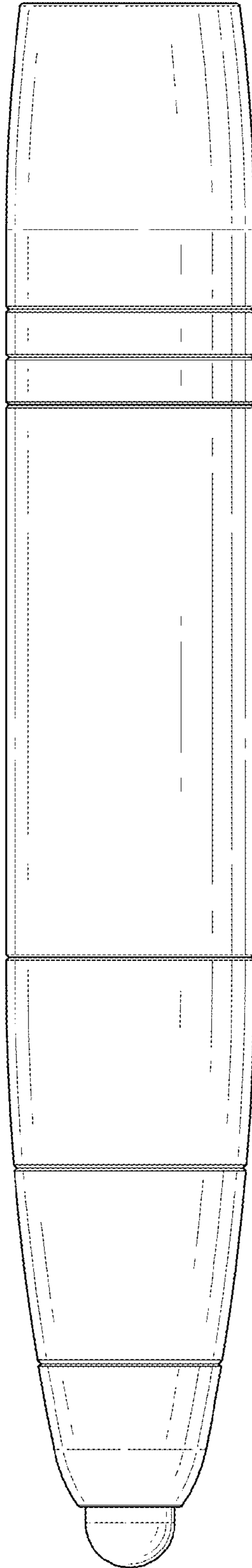


FIG. 8