



US00D754115S

(12) **United States Design Patent**
Lin

(10) **Patent No.:** **US D754,115 S**

(45) **Date of Patent:** **** Apr. 19, 2016**

(54) **MOBILE PHONE DUAL CASE WITH ADHESIVE LAYER FOR DETACHABLY MOUNTING ON A SURFACE**

(71) Applicant: **Chia-Ching Lin**, Taipei (TW)

(72) Inventor: **Chia-Ching Lin**, Taipei (TW)

(**) Term: **14 Years**

(21) Appl. No.: **29/496,767**

(22) Filed: **Jul. 17, 2014**

(51) **LOC (10) Cl.** **14-03**

(52) **U.S. Cl.**
USPC **D14/250**

(58) **Field of Classification Search**
USPC D14/250–253, 440, 203.3–203.7, 217, D14/496, 248, 238.1, 240, 447, 230, 247, D14/341, 345, 346, 439; D3/201, 218, 269, D3/301, 273, 303; D13/103, 107–108; 220/4.02; 248/309.1; 361/679.56; 379/426, 433.11, 455; 455/575.1, 455/575.8; 190/100; 206/305, 320
CPC A45C 2011/002; A45C 11/00; A45C 13/002; A45C 2011/003; H04M 1/0283; H04M 1/0202; H04M 1/185; H04B 1/3888
See application file for complete search history.

(56) **References Cited**

U.S. PATENT DOCUMENTS

D686,607 S *	7/2013	Hong	D14/250
D707,217 S *	6/2014	Toulotte	D14/250
D709,439 S *	7/2014	Ferber	D13/103
D712,392 S *	9/2014	Corley	D14/250
D714,053 S *	9/2014	Yoo	D3/269
D718,291 S *	11/2014	Hong	D14/250
D721,359 S *	1/2015	Kim	D14/250
D722,309 S *	2/2015	Green	D14/250
D723,531 S *	3/2015	Katzke	D14/250
D723,535 S *	3/2015	Minn	D14/250
D724,785 S *	3/2015	Frederick	D14/250

D726,172 S *	4/2015	Watkins	D14/250
D726,702 S *	4/2015	Umlauf	D14/250
D728,468 S *	5/2015	Ferber	D13/103
D740,798 S *	10/2015	Poon	D14/250
2015/0195938 A1 *	7/2015	Witter	H05K 5/03 206/521

* cited by examiner

Primary Examiner — Sandra Snapp

Assistant Examiner — Holly E Thurman

(74) *Attorney, Agent, or Firm* — Li & Cai Intellectual Property (USA) Office

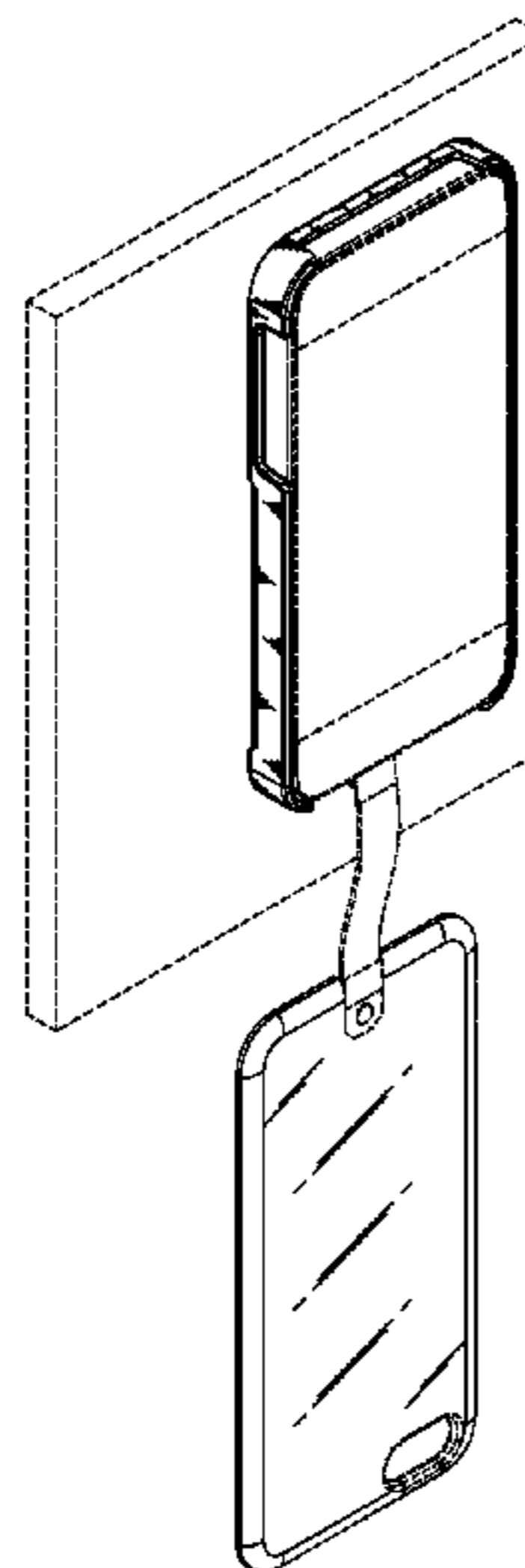
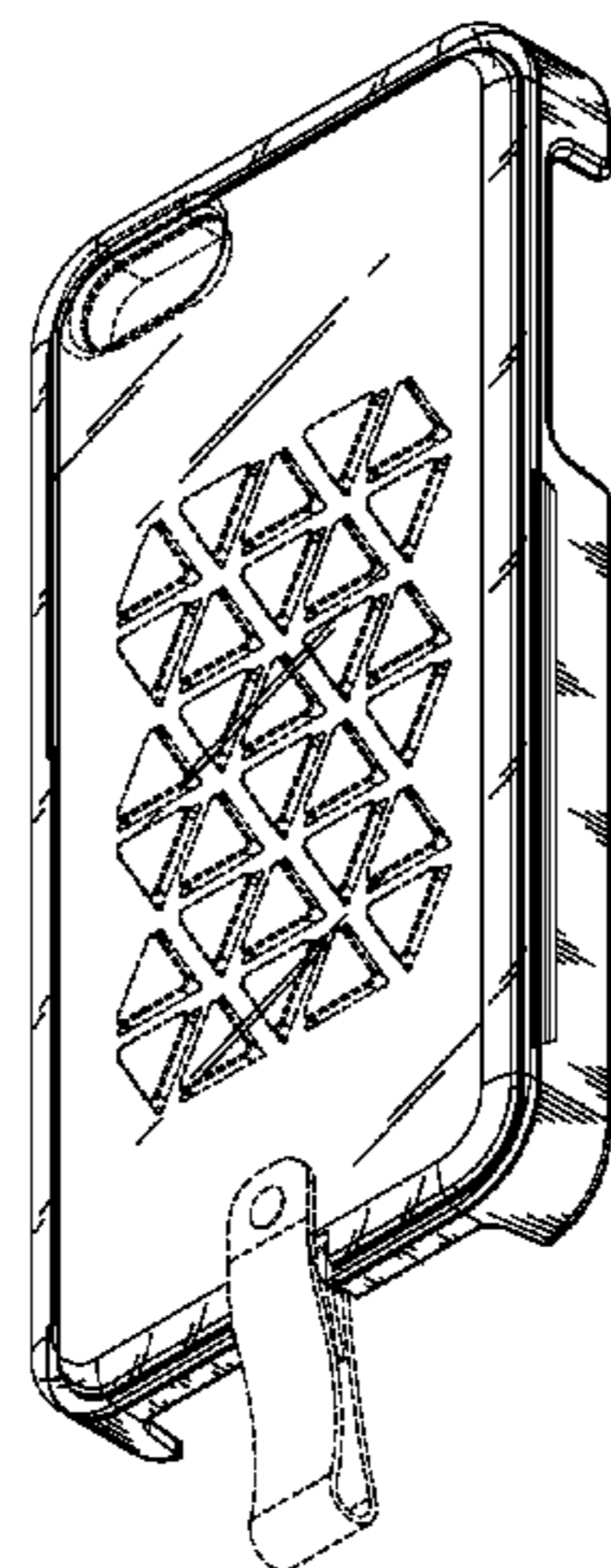
(57) **CLAIM**

The ornamental design for a “mobile phone dual case with adhesive layer for detachably mounting on a surface,” as shown and described.

DESCRIPTION

FIG. 1 is a perspective view of a mobile phone dual case with adhesive layer for detachably mounting on a surface showing our new design;
FIG. 2 is a front view thereof;
FIG. 3 is a rear view thereof;
FIG. 4 is a left side view thereof;
FIG. 5 is a right side view thereof;
FIG. 6 is a top view thereof;
FIG. 7 is a bottom view thereof;
FIG. 8 is a perspective view viewed from another visual angle thereof;
FIG. 9 is another perspective view thereof, shown in a state of use with the layers separated;
FIG. 10 is a perspective view showing the mobile phone dual case installed on a mobile phone; and,
FIG. 11 is a perspective view showing the mobile phone dual case to be mounted on the surface by the adhesive layer.
The broken lines throughout the drawings are included for the purpose of illustrating portions of the subject matter that form no part of the claimed design.

1 Claim, 9 Drawing Sheets



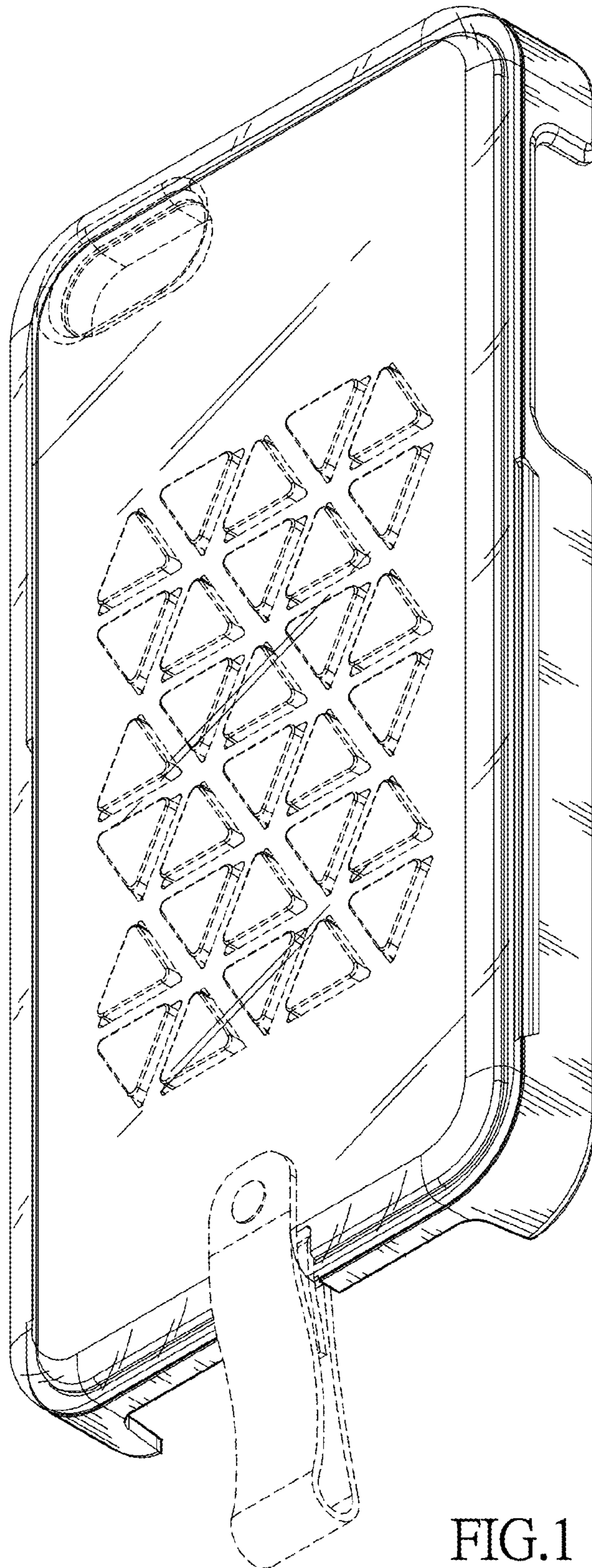


FIG.1

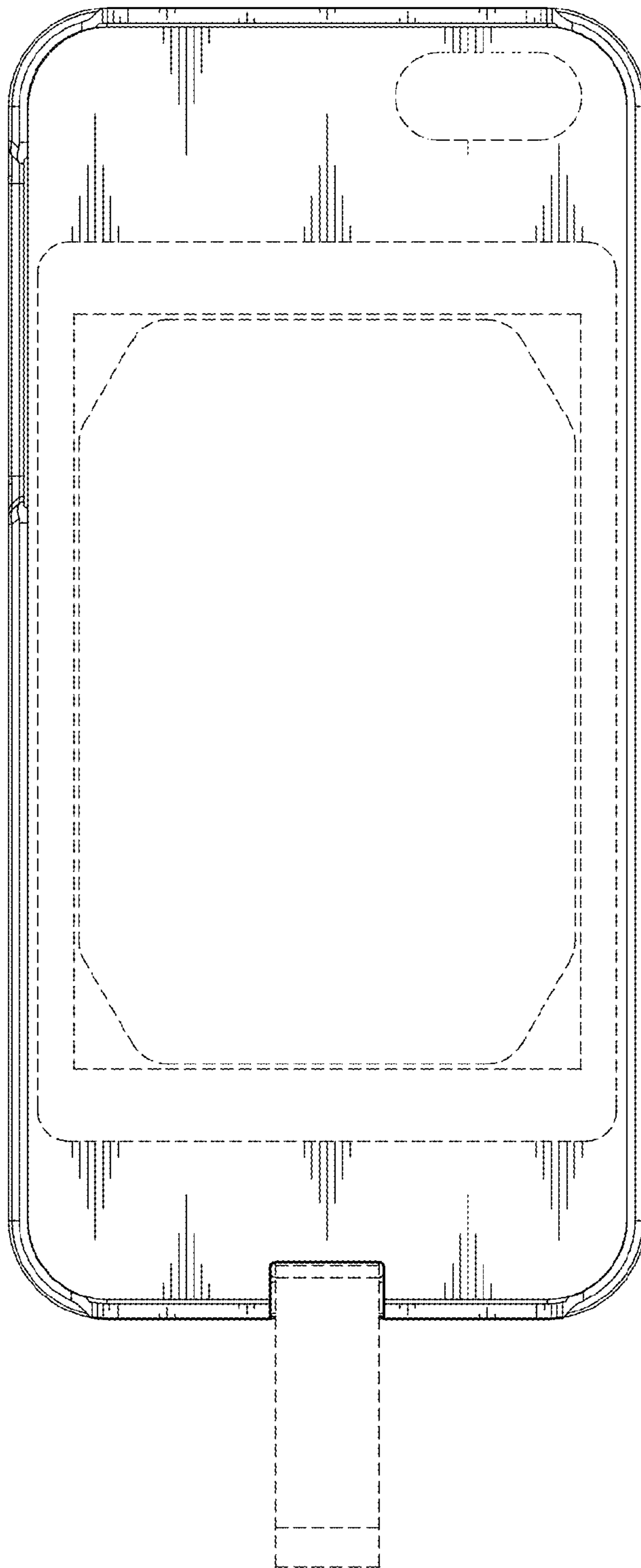


FIG.2

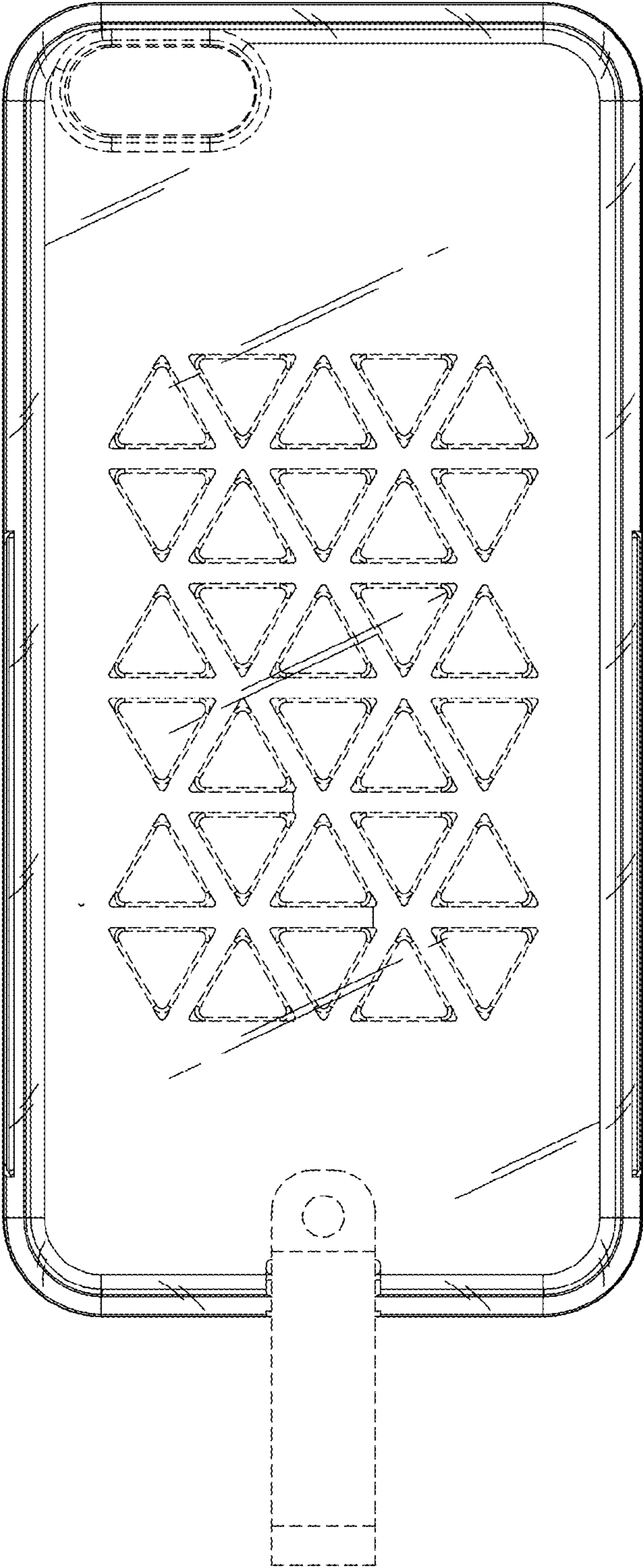


FIG.3

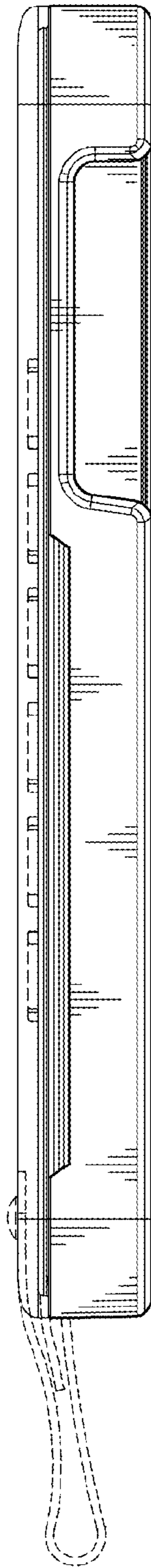


FIG. 4

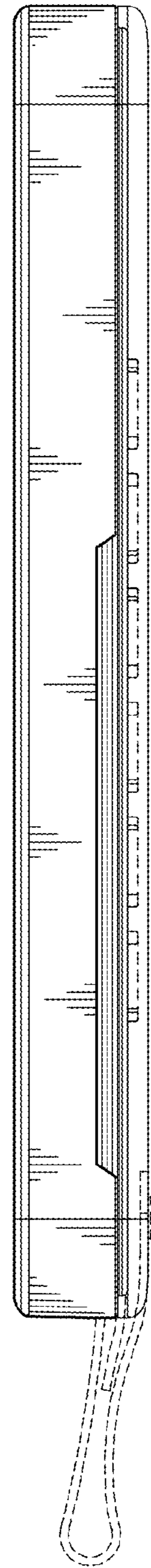


FIG. 5

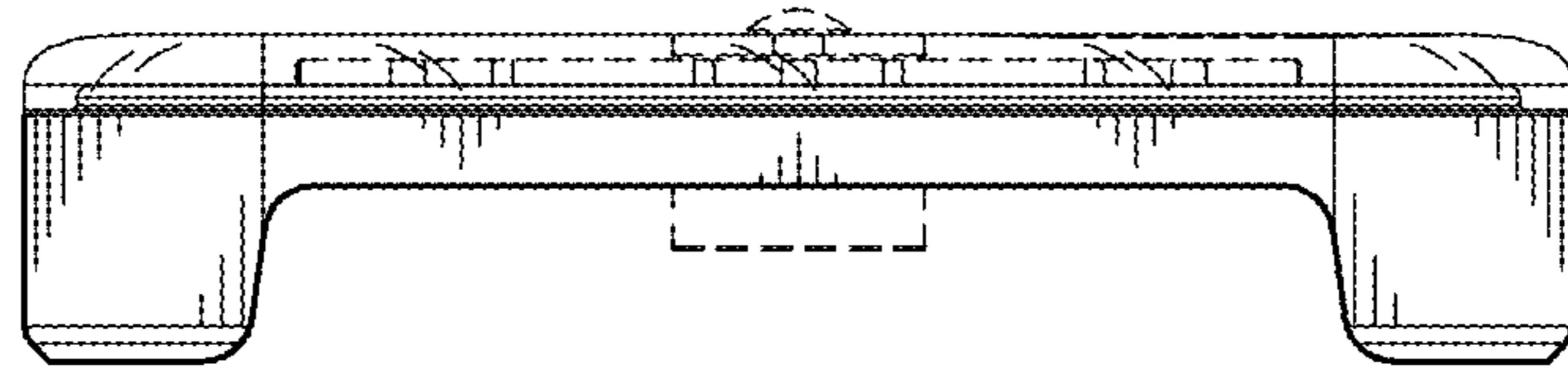


FIG. 6

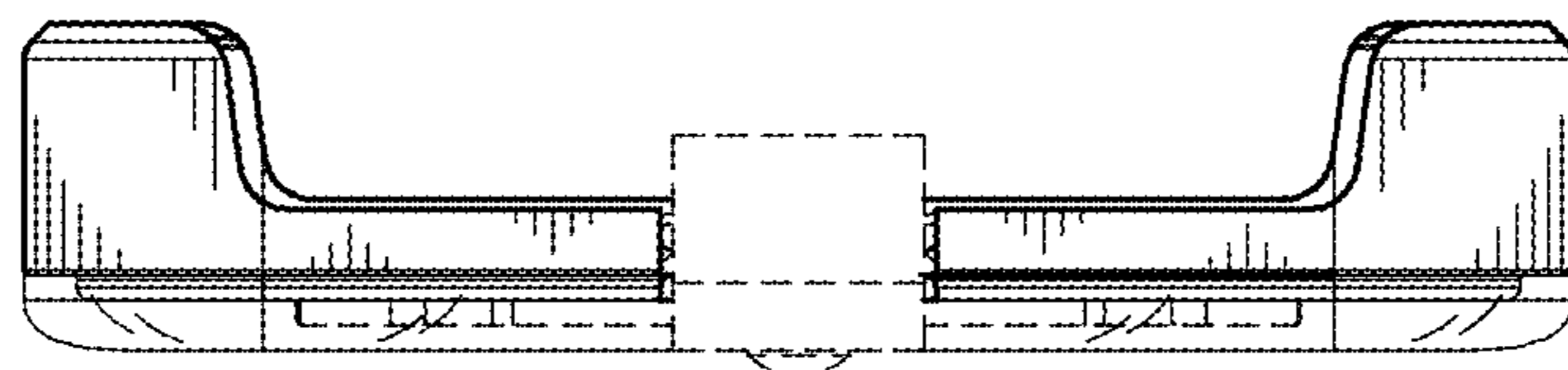


FIG. 7

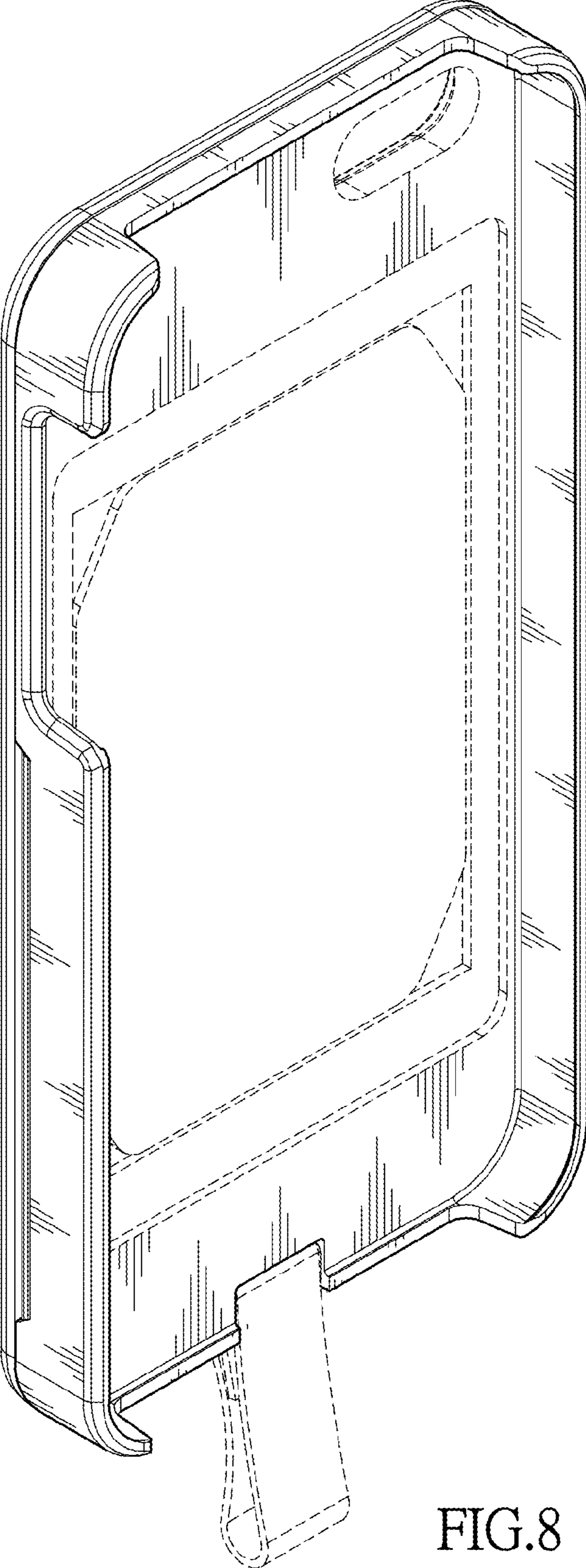


FIG.8

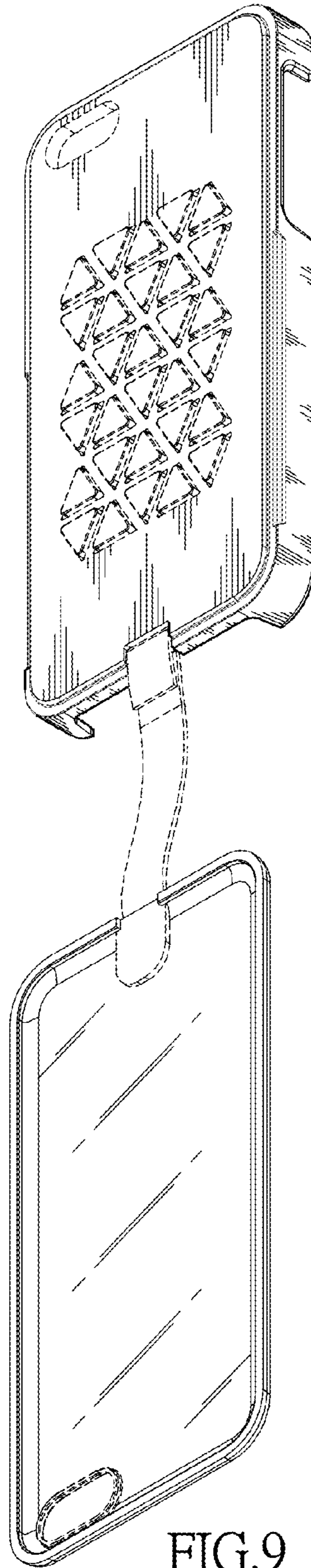


FIG.9

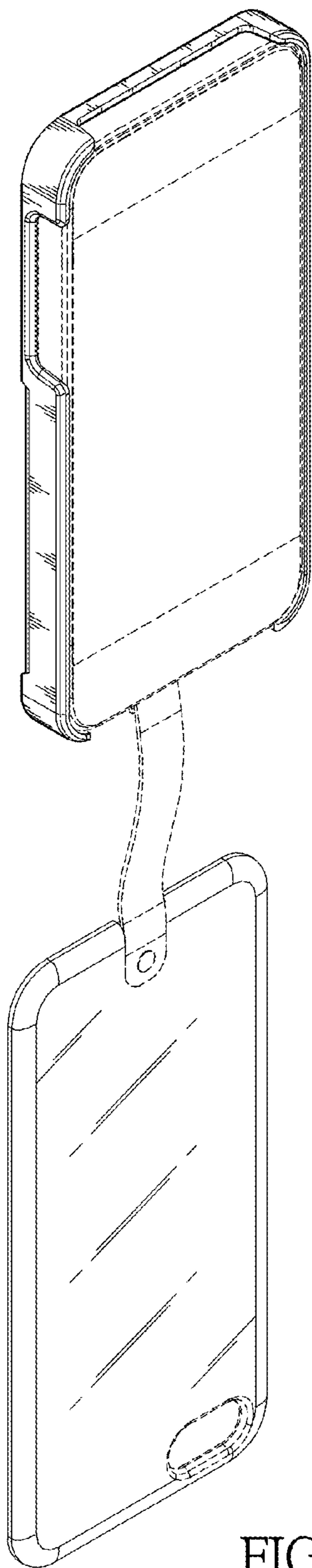


FIG.10

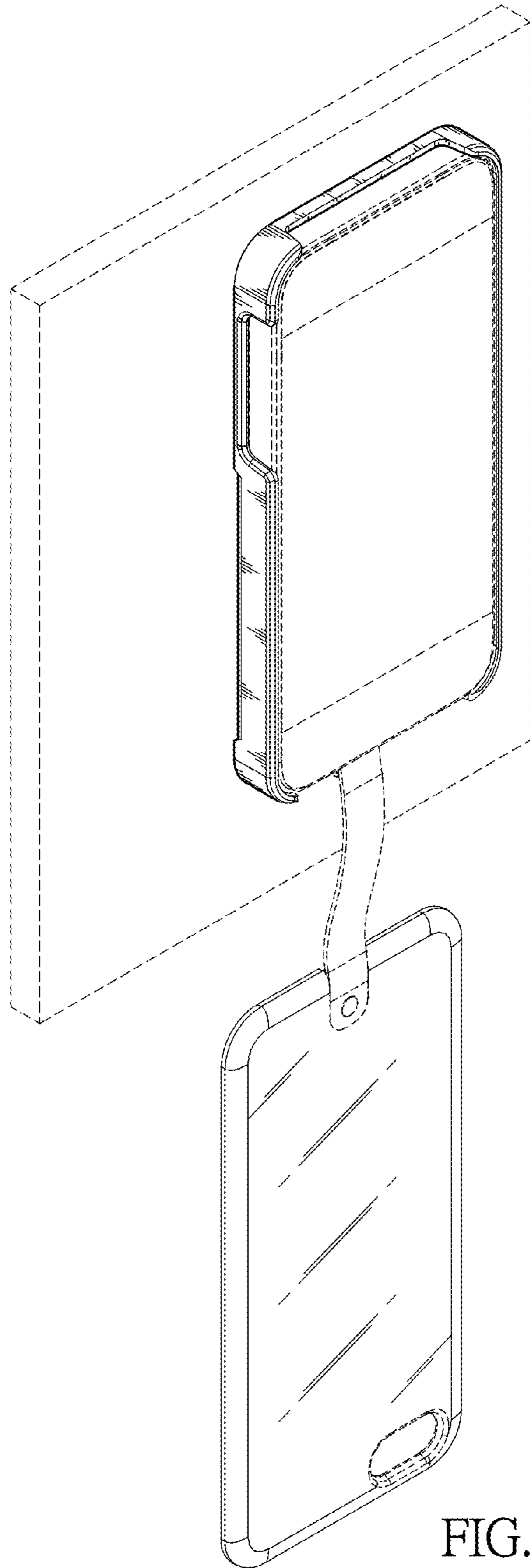


FIG. 11