

US00D754109S

(12) **United States Design Patent**
Kelly

(10) **Patent No.:** **US D754,109 S**
(45) **Date of Patent:** **** Apr. 19, 2016**

(54) **NETWORK DEVICE**

(71) Applicant: **Elameno, Inc.**, Portland, OR (US)
(72) Inventor: **Sean Michael Kelly**, Lake Oswego, OR (US)
(73) Assignee: **Circle Media Inc.**, Portland, OR (US)
(**) Term: **14 Years**

(21) Appl. No.: **29/499,187**
(22) Filed: **Aug. 12, 2014**
(51) **LOC (10) Cl.** **14-03**
(52) **U.S. Cl.**
USPC **D14/240**
(58) **Field of Classification Search**
USPC D14/240, 242, 357, 358, 140-140.9,
D14/155, 137, 139, 243, 433, 215, 216
CPC H04L 12/00; H03K 17/00; H04W 88/00;
H04W 88/005; H04W 88/02; H04W 88/08;
H04W 88/085; H04W 88/10; H04W 88/12;
H04W 88/14; H04B 1/38
See application file for complete search history.

(56) **References Cited**

U.S. PATENT DOCUMENTS

D427,662	S	*	7/2000	Coscarelli	D23/229
D458,911	S	*	6/2002	Kataoka	D14/129
D474,173	S	*	5/2003	Right et al.	D14/209
D494,949	S	*	8/2004	Arnholt et al.	D14/138 AA
D537,072	S	*	2/2007	Kim et al.	D14/215
D540,300	S	*	4/2007	Amid-Hozour	D14/188
D550,205	S	*	9/2007	Kaneda	D14/216
D563,946	S	*	3/2008	Uehara	D14/216
D598,906	S	*	8/2009	Chiba et al.	D14/240
D636,760	S	*	4/2011	Cheng	D14/216
D643,022	S	*	8/2011	Hou	D14/216
D649,623	S	*	11/2011	Flowers	D23/213
D671,115	S	*	11/2012	Phillips et al.	D14/356
D674,465	S	*	1/2013	Flowers et al.	D23/229

D674,466	S	*	1/2013	Flowers et al.	D23/229
D680,097	S	*	4/2013	Davies et al.	D14/215
D681,781	S	*	5/2013	Cutler et al.	D23/229
D705,748	S	*	5/2014	He	D14/155
D713,405	S	*	9/2014	Akana et al.	D14/358
D713,495	S	*	9/2014	Sato	D23/213
D720,347	S	*	12/2014	Lo	D14/348
D722,053	S	*	2/2015	Wang	D14/358
D725,075	S	*	3/2015	Wong	D14/215

(Continued)

FOREIGN PATENT DOCUMENTS

CN	3668541	*	7/2007
CN	300867813	*	12/2008
CN	30111256	*	1/2010

(Continued)

Primary Examiner — Bridget L Eland

(74) *Attorney, Agent, or Firm* — DASCENZO Intellectual Property Law, P.C.

(57) **CLAIM**

The ornamental design for a network device, as shown and described.

DESCRIPTION

FIG. 1 is a perspective view of a network device showing the design.

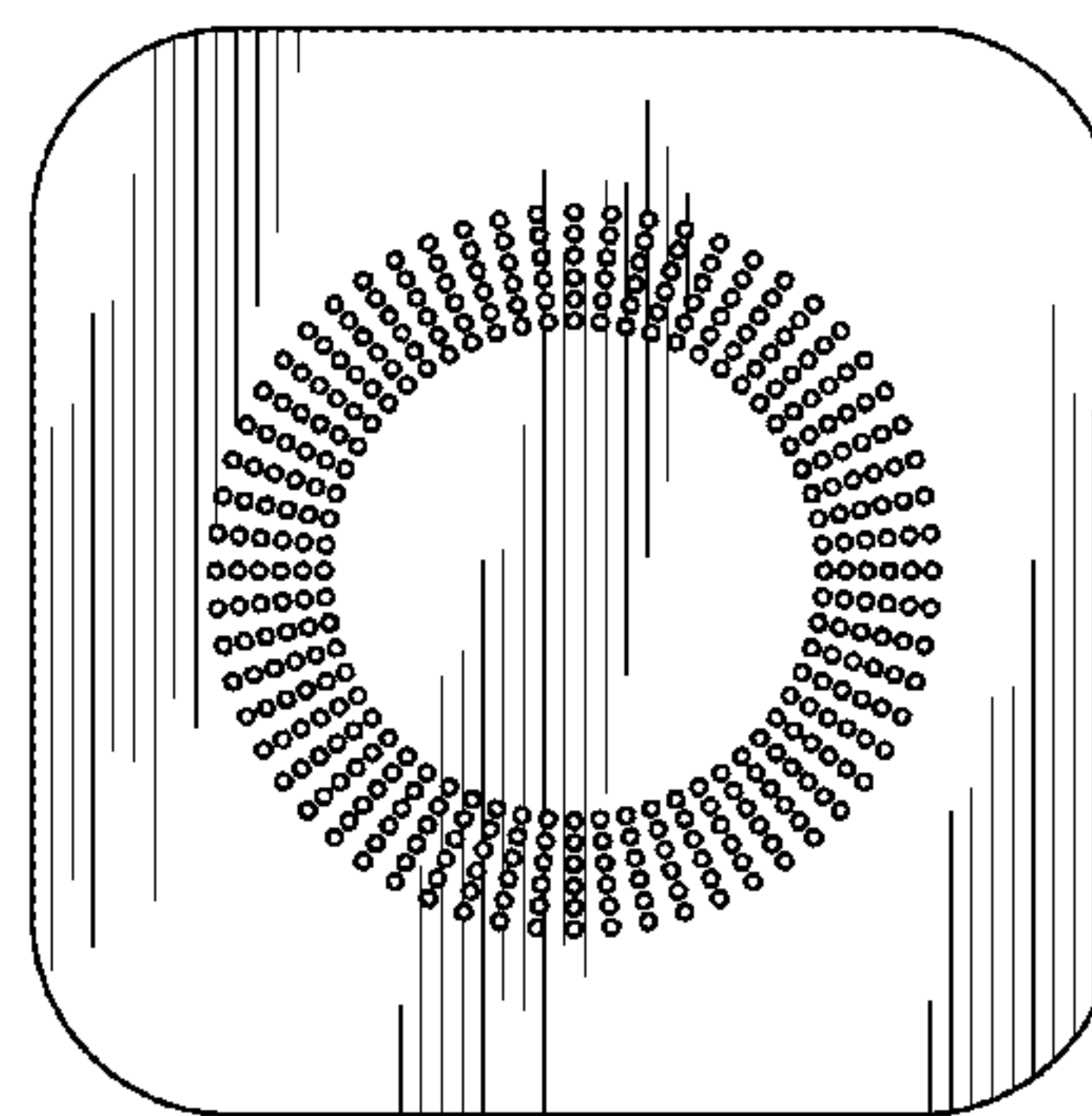
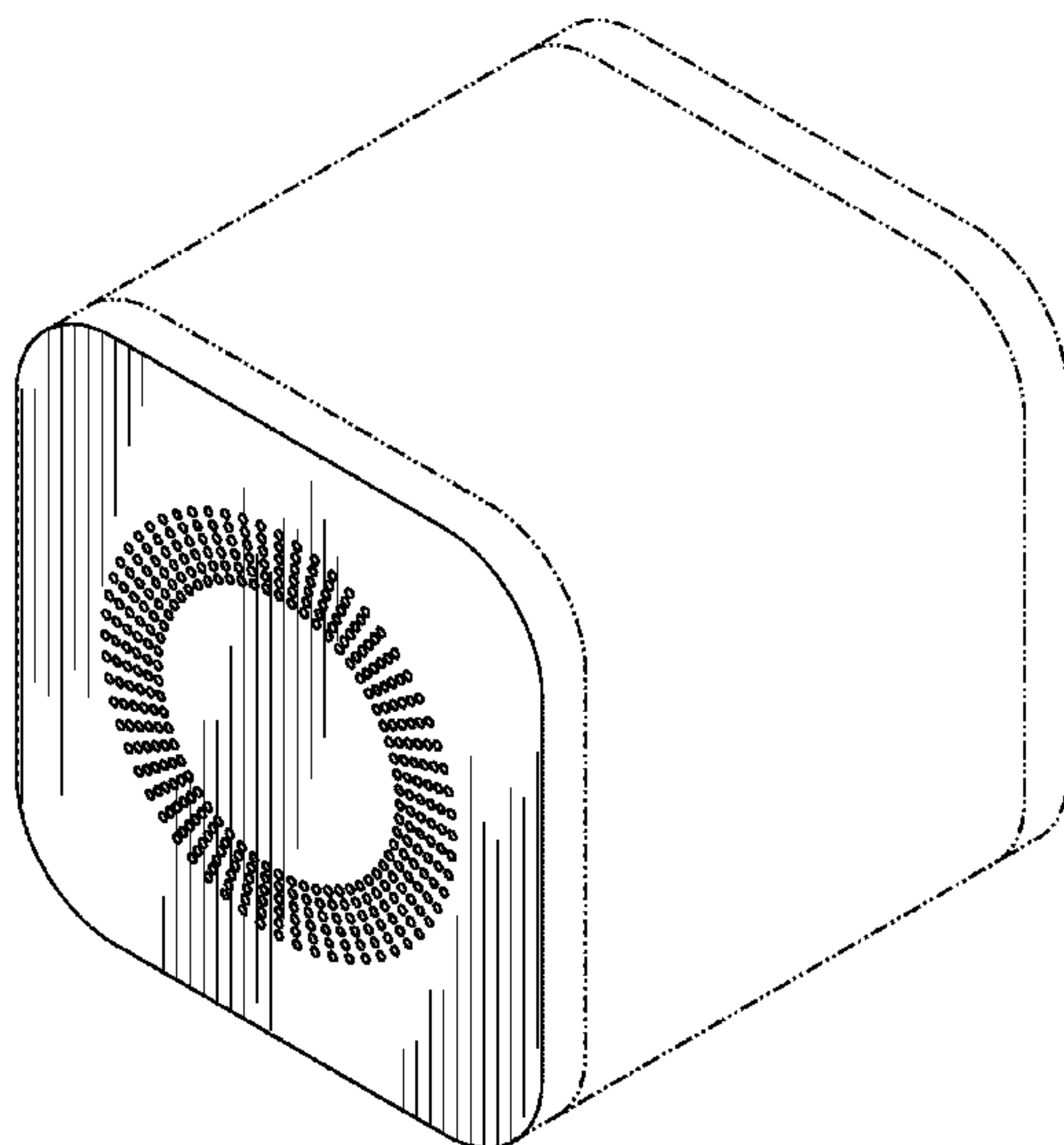
FIG. 2 is a front elevation view of the network device of FIG. 1.

FIG. 3 is a rear elevation view of the network device of FIG. 1; and,

FIG. 4 is a top plan view of the network device of FIG. 1, with the bottom, left, and right sides of the network device being identical thereto.

The dashed lines shown in the drawings illustrate portions of the network device that form no part of the presently claimed design. The shading lines shown in the drawings represent the approximate three-dimensional contour of the claimed design and are not intended to indicate surface decoration.

1 Claim, 2 Drawing Sheets



US D754,109 S

Page 2

(56)

References Cited

FOREIGN PATENT DOCUMENTS

U.S. PATENT DOCUMENTS

D728,525 S * 5/2015 Zhang D14/216
D738,870 S * 9/2015 Ding et al. D14/240
D739,452 S * 9/2015 Adams D16/208

CN 303143647 * 3/2015
JP D1506718 * 8/2014
KR 300497941.0000 * 7/2008

* cited by examiner

Fig. 1

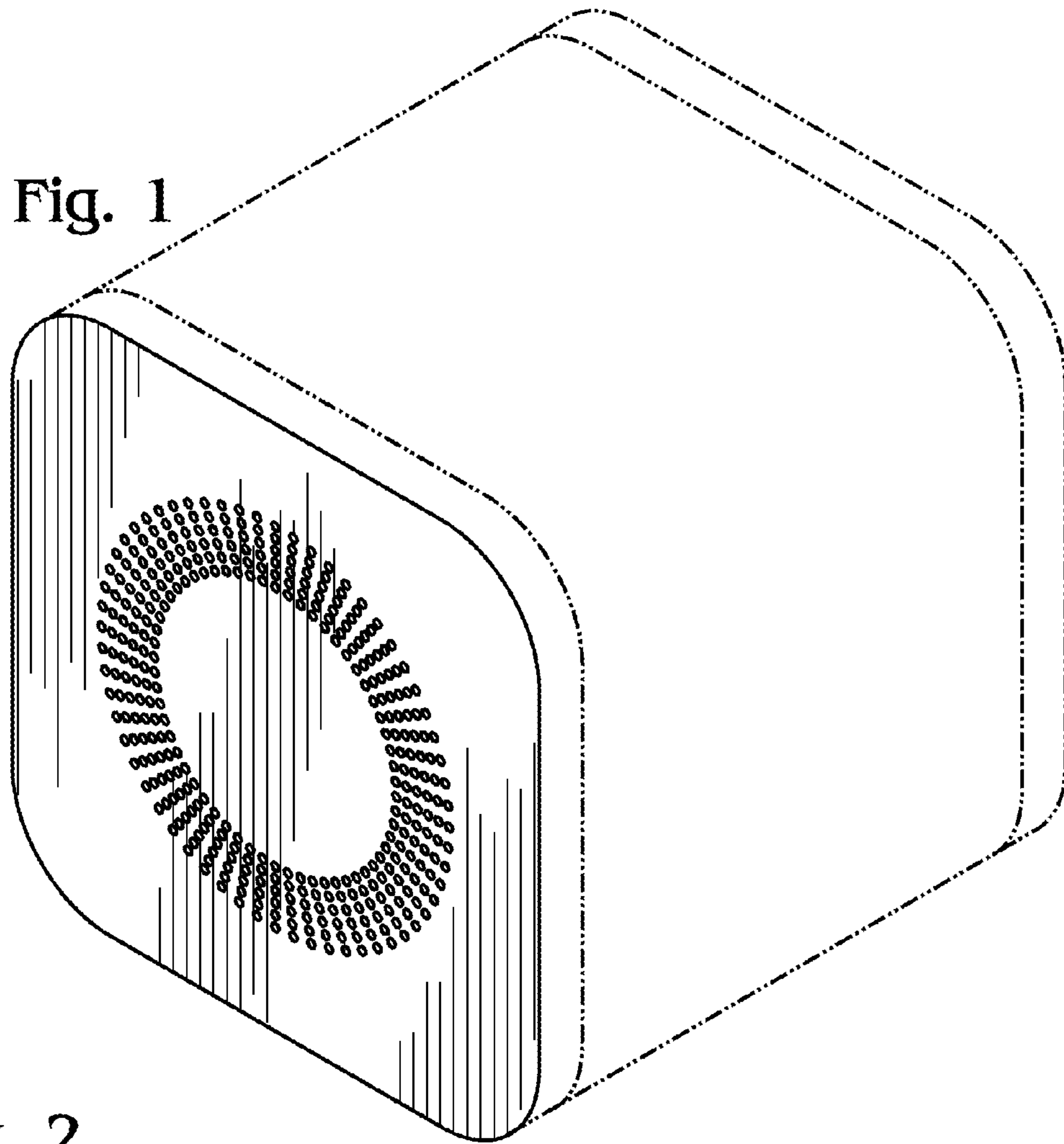


Fig. 2

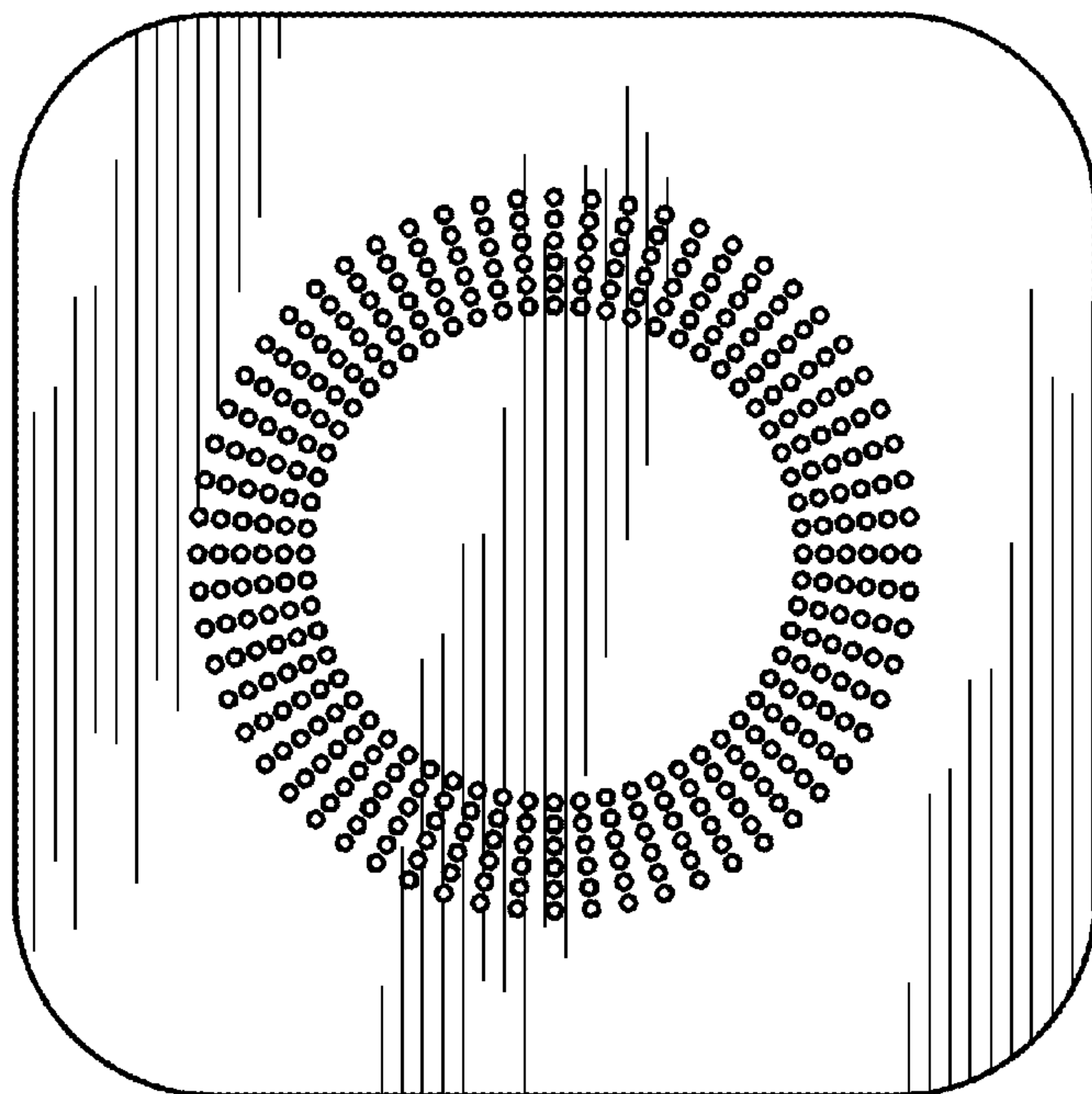


Fig. 3

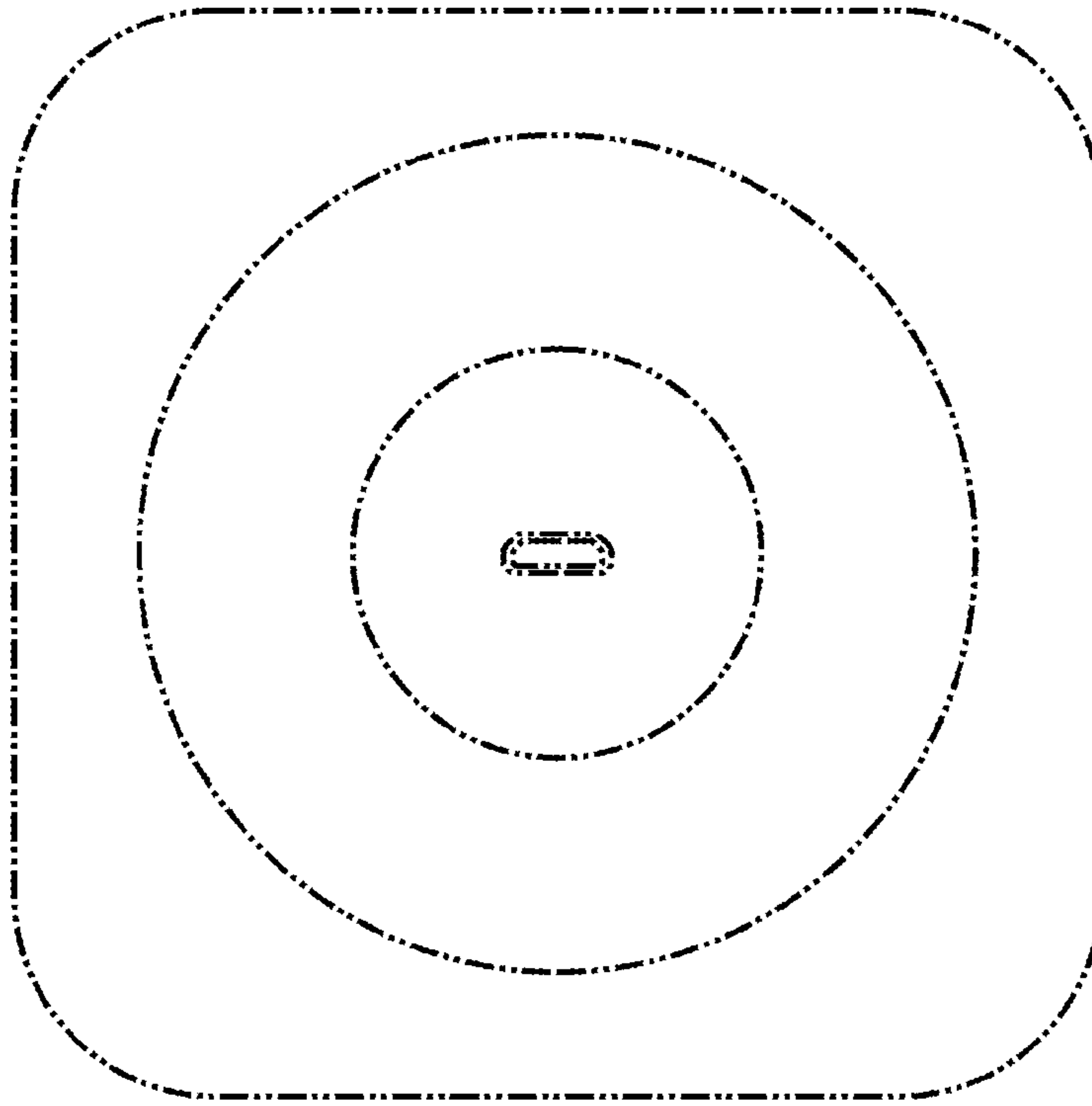


Fig. 4

