



US00D754108S

(12) **United States Design Patent**
Yang et al.

(10) **Patent No.:** **US D754,108 S**
(45) **Date of Patent:** **** Apr. 19, 2016**

(54) **ANTENNA**

(71) Applicant: **Airgain, Incorporated**, San Diego, CA (US)

(72) Inventors: **Simon Yang**, Carlsbad, CA (US); **Kai Liu**, Zhang Jia Gang (CN); **Bei Zheng**, Zhang Jia Gang (CN)

(73) Assignee: **Airgain, Inc.**, San Diego, CA (US)

(**) Term: **14 Years**

(21) Appl. No.: **29/507,660**

(22) Filed: **Oct. 29, 2014**

(51) **LOC (10) Cl.** **14-03**

(52) **U.S. Cl.**

USPC **D14/230**

(58) **Field of Classification Search**

USPC D14/230, 299, 358, 344

CPC H01Q 1/38; H01Q 1/24; H01Q 9/04;

H01Q 9/24; H01Q 9/16; H01Q 5/00; H01Q

9/28; H01Q 1/50

See application file for complete search history.

(56) **References Cited**

U.S. PATENT DOCUMENTS

4,319,249 A * 3/1982 Evans H01Q 21/062

343/703

6,114,996 A * 9/2000 Nghiem H01Q 1/24

343/700 MS

6,204,819 B1 * 3/2001 Hayes H01Q 1/243

343/700 MS

(Continued)

FOREIGN PATENT DOCUMENTS

CN 3660226 * 6/2007

JP D1145610 * 7/2002

(Continued)

OTHER PUBLICATIONS

Ultra M2450DLM2 Dual-band (2.4/5 GHz) stamped metal antenna, airgain website copyright 2015, online, <http://www.airgain.com/ultra-M2450DLM2>, site visited Dec. 12, 2015.*

(Continued)

Primary Examiner — John Windmuller

Assistant Examiner — John R Yeh

(74) *Attorney, Agent, or Firm* — Clause Eight IPS; Michael Catania

(57) **CLAIM**

The ornamental design for an antenna, as shown and described.

DESCRIPTION

FIG. 1 is a top plan view of an antenna with a base in broken lines.

FIG. 2 is a side elevation view of the antenna of FIG. 1 with a base in broken lines.

FIG. 3 is a top perspective view of the antenna of FIG. 1 with a base in broken lines.

FIG. 4 is an isolated top perspective view of a small antenna element of the antenna of FIG. 1.

FIG. 5 is an isolated side elevation view of the small antenna element of FIG. 4.

FIG. 6 is an isolated front elevation view of the small antenna element of FIG. 4.

FIG. 7 is an isolated bottom plan view of the small antenna element of FIG. 4.

FIG. 8 is an isolated top perspective view of a large antenna element of the antenna of FIG. 1.

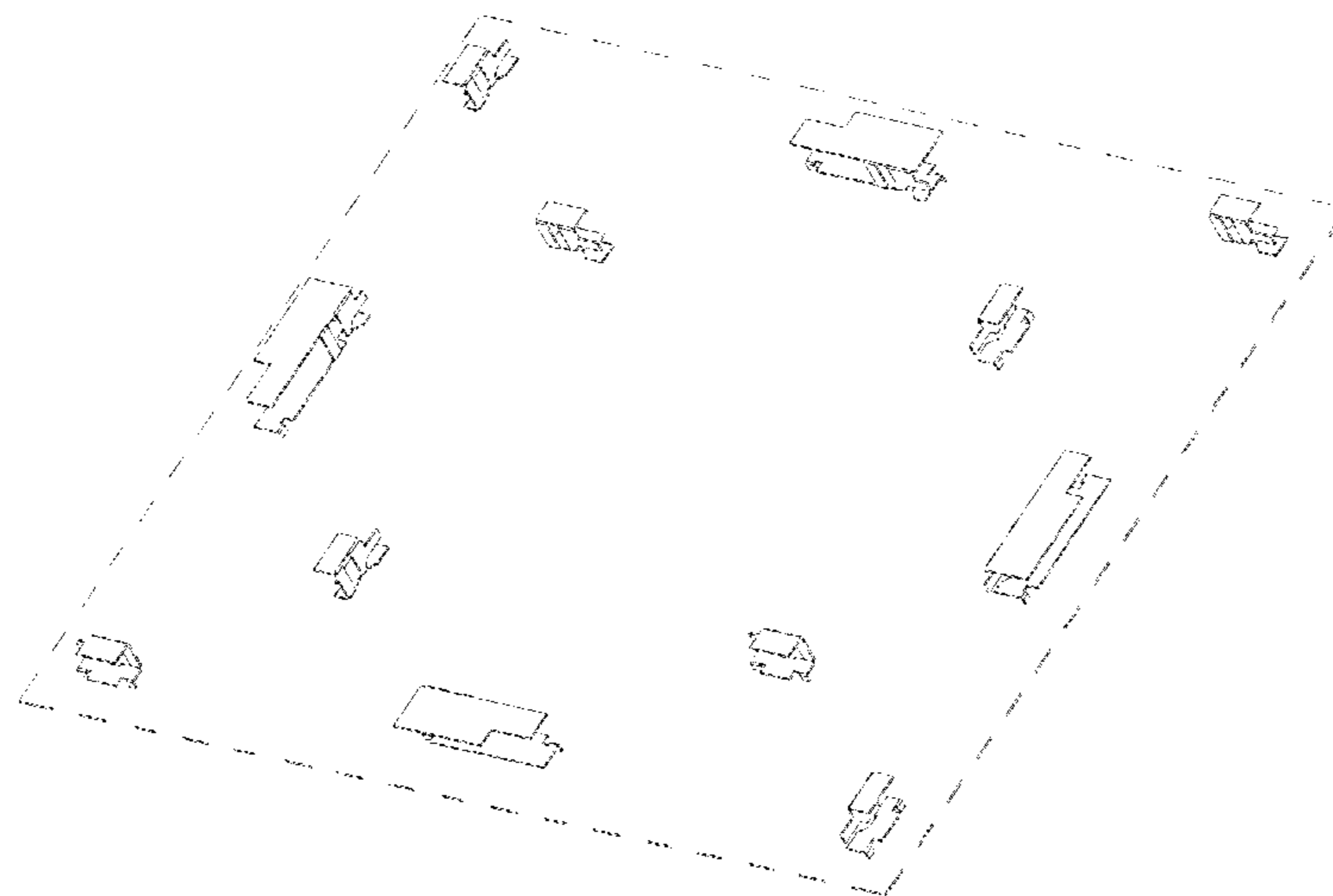
FIG. 9 is an isolated side elevation view of the large antenna element of FIG. 8.

FIG. 10 is an isolated front elevation view of the large antenna element of FIG. 8; and,

FIG. 11 is an isolated bottom plan view of the large antenna element of FIG. 8.

The broken lines are for illustration purposes only and form no part of the claimed invention.

1 Claim, 2 Drawing Sheets



(56)

References Cited

U.S. PATENT DOCUMENTS

6,774,849 B2 * 8/2004 Umehara H01Q 1/243
343/700 MS
6,965,346 B2 * 11/2005 Sung H01Q 1/22
343/700 MS
7,061,437 B2 6/2006 Lin et al.
7,148,849 B2 12/2006 Lin
7,183,985 B2 * 2/2007 Tseng H01Q 1/2216
343/702
7,215,296 B2 5/2007 Abramov et al.
D546,821 S 7/2007 Oliver
D549,696 S 8/2007 Oshima et al.
7,333,067 B2 2/2008 Hung et al.
7,336,959 B2 2/2008 Khitrik et al.
D573,589 S 7/2008 Montgomery et al.
7,405,704 B1 7/2008 Lin et al.
7,425,885 B2 * 9/2008 Aisenbrey G06K 19/07749
337/159
7,477,195 B2 1/2009 Vance
7,498,987 B2 * 3/2009 Svirgelj H01Q 1/38
343/700 MS
7,505,004 B2 * 3/2009 Chen H01Q 1/243
343/700 MS
D592,195 S 5/2009 Wu et al.
7,570,215 B2 8/2009 Abramov et al.
D599,334 S 9/2009 Chiang
D606,053 S 12/2009 Wu et al.
D607,442 S 1/2010 Su et al.
D608,769 S 1/2010 Bufe
D612,368 S 3/2010 Yang et al.
7,705,783 B2 4/2010 Rao et al.
7,729,662 B2 6/2010 Abramov et al.
D621,819 S 8/2010 Tsai et al.
7,843,390 B2 11/2010 Liu
D633,483 S 3/2011 Su et al.
D635,127 S 3/2011 Tsai et al.
7,907,971 B2 3/2011 Salo et al.
D635,560 S 4/2011 Tsai et al.
D635,963 S 4/2011 Podduturi
D635,964 S 4/2011 Podduturi
D635,965 S 4/2011 Mi et al.
D636,382 S 4/2011 Podduturi
7,965,242 B2 6/2011 Abramov et al.
D649,962 S 12/2011 Tseng et al.
D651,198 S 12/2011 Mi et al.
D654,059 S 2/2012 Mi et al.
D654,060 S 2/2012 Ko et al.
D658,639 S 5/2012 Huang et al.
D659,129 S 5/2012 Mi et al.
D659,685 S 5/2012 Huang et al.
D659,688 S 5/2012 Huang et al.
8,175,036 B2 5/2012 Visuri et al.
8,184,601 B2 5/2012 Abramov et al.
D662,916 S 7/2012 Huang et al.
8,248,970 B2 8/2012 Abramov et al.
D671,097 S 11/2012 Mi et al.
8,310,402 B2 11/2012 Yang
D676,429 S 2/2013 Gosalia et al.
D678,255 S 3/2013 Ko et al.
8,390,519 B2 * 3/2013 Wang H01Q 1/243
343/700 MS
8,416,137 B2 * 4/2013 Kitchener H01Q 1/48
343/700 MS
8,423,084 B2 4/2013 Abramov et al.
D684,565 S 6/2013 Wei
D685,352 S 7/2013 Wei
D685,772 S 7/2013 Zheng et al.
D686,600 S 7/2013 Yang
D689,474 S 9/2013 Yang et al.

D692,870 S 11/2013 He
8,576,124 B2 * 11/2013 Popugaev G06K 19/07749
343/700 MS
D694,738 S 12/2013 Yang
D695,279 S 12/2013 Yang et al.
D695,280 S 12/2013 Yang et al.
D703,195 S 4/2014 Zheng
D703,196 S 4/2014 Zheng
D706,247 S 6/2014 Zheng et al.
D706,750 S 6/2014 Bringuir
D706,751 S 6/2014 Chang et al.
D708,602 S 7/2014 Gosalia et al.
D709,053 S 7/2014 Chang et al.
D710,832 S * 8/2014 Yang D14/230
D710,833 S 8/2014 Zheng et al.
8,854,265 B1 10/2014 Yang et al.
D716,775 S 11/2014 Bidermann
8,937,578 B2 * 1/2015 Montgomery H01Q 1/243
343/702
D733,104 S * 6/2015 Yang D14/230
9,077,077 B2 * 7/2015 Wong H01Q 1/243
2002/0003499 A1 1/2002 Kouarn et al.
2003/0189519 A1 * 10/2003 Rutfors H01Q 1/243
343/702
2004/0222936 A1 11/2004 Hung et al.
2005/0001768 A1 * 1/2005 Sekiguchi H01Q 9/0421
343/700 MS
2005/0073462 A1 4/2005 Lin et al.
2005/0190108 A1 9/2005 Lin et al.
2006/0208900 A1 9/2006 Hozouri
2007/0030203 A1 2/2007 Tsai et al.
2008/0150829 A1 6/2008 Lin et al.
2009/0002244 A1 1/2009 Woo
2009/0033557 A1 * 2/2009 Wei H01Q 5/25
343/700 MS
2009/0051595 A1 * 2/2009 Wang H01Q 1/243
343/700 MS
2009/0058739 A1 3/2009 Konishi
2009/0135072 A1 * 5/2009 Ke H01Q 1/36
343/700 MS
2009/0262028 A1 10/2009 Murnbru et al.
2010/0188297 A1 7/2010 Chen et al.
2010/0309067 A1 12/2010 Tsou et al.
2011/0006950 A1 1/2011 Park et al.
2012/0038514 A1 2/2012 Bang
2012/0229348 A1 9/2012 Chiang
2012/0242546 A1 9/2012 Hu et al.
2013/0021211 A1 * 1/2013 Komaki H01Q 1/243
343/700 MS
2013/0135155 A1 * 5/2013 Zhang H01Q 1/243
343/700 MS
2013/0135167 A1 * 5/2013 Tsai H01Q 1/243
343/833
2013/0162498 A1 * 6/2013 Kitchener H01Q 1/48
343/860
2014/0118191 A1 * 5/2014 Smith H01Q 19/30
342/372

FOREIGN PATENT DOCUMENTS

JP D1421524 * 8/2011
JP D1472850 * 6/2013

OTHER PUBLICATIONS

rf—Chip antenna layout—Electrical Engineering Stack Exchange, post date Feb. 2013, online, <http://electronics.stackexchange.com/questions/56869/chip-antenna-layout>, [site visited Nov. 30, 2015 6:59:14 PM].*

* cited by examiner

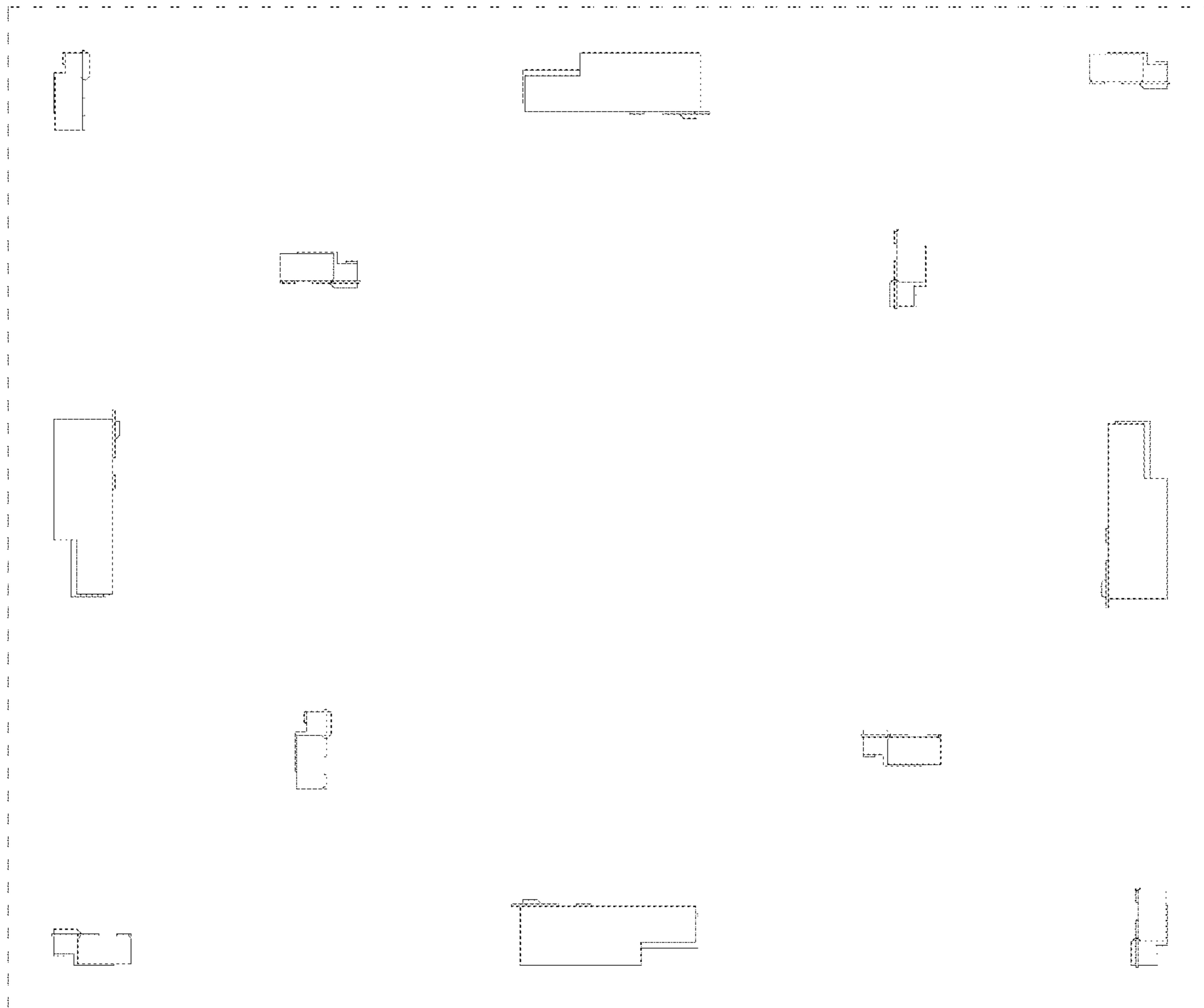


FIG. 1

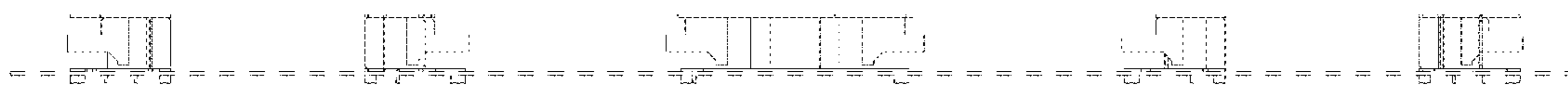


FIG. 2

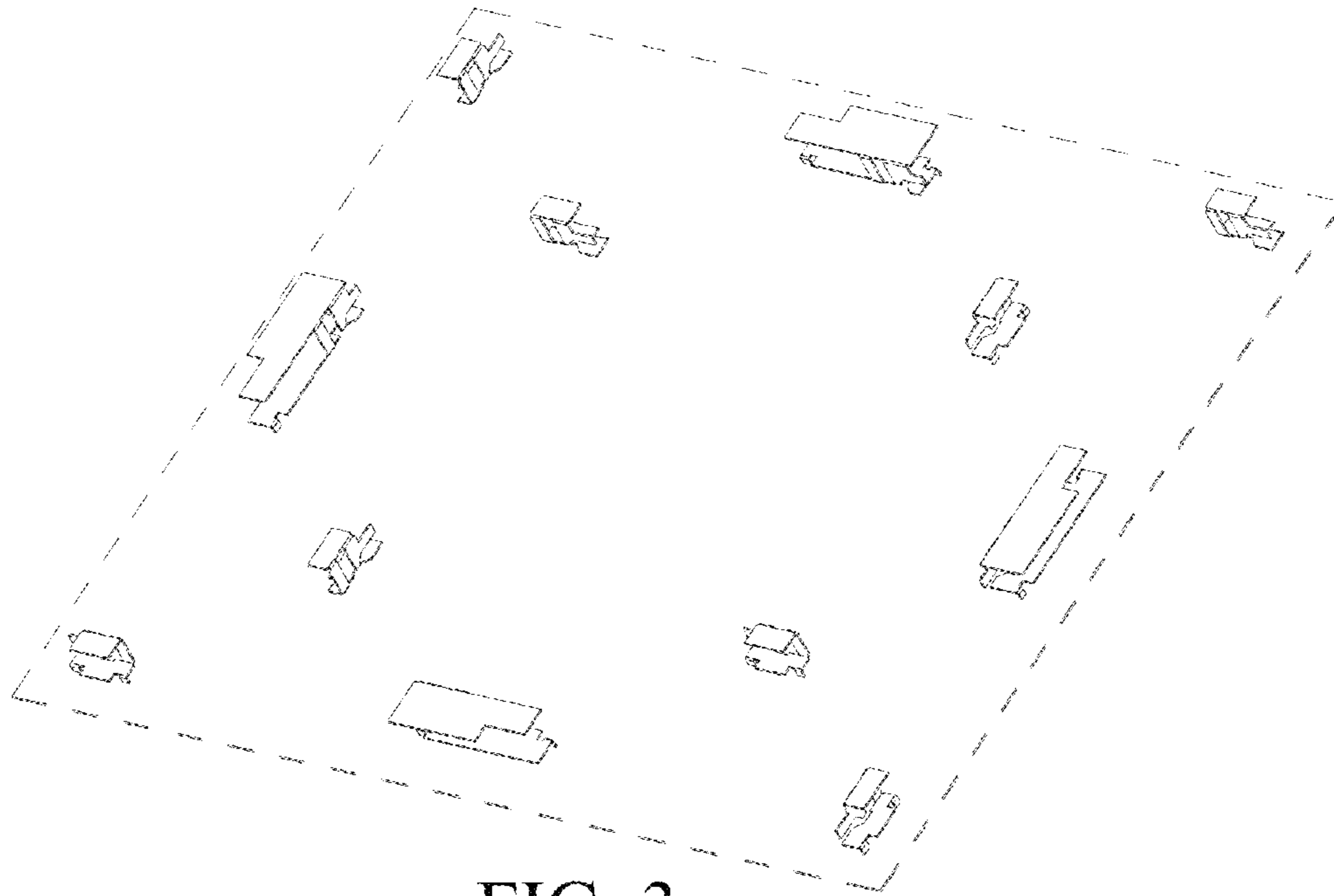


FIG. 3

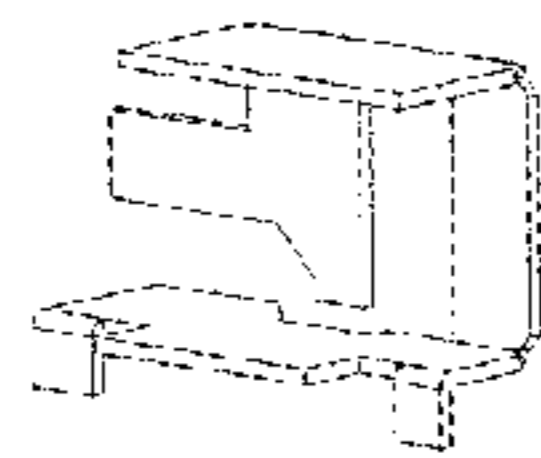


FIG. 4

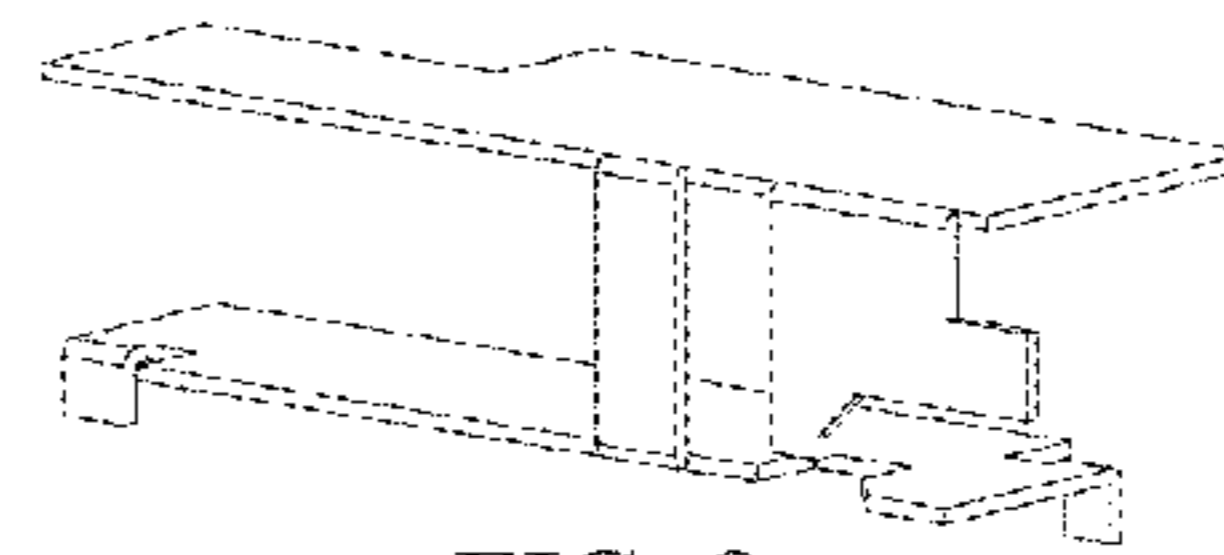


FIG. 8

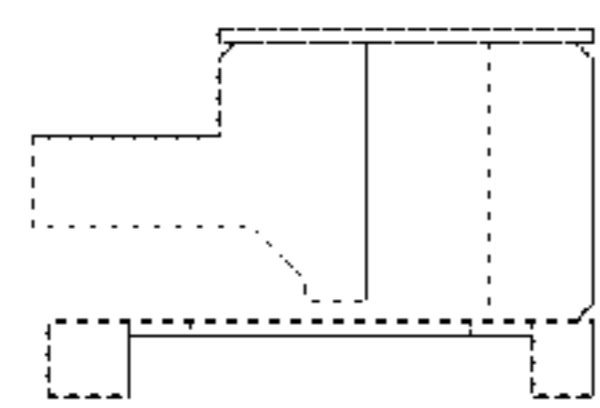


FIG. 5

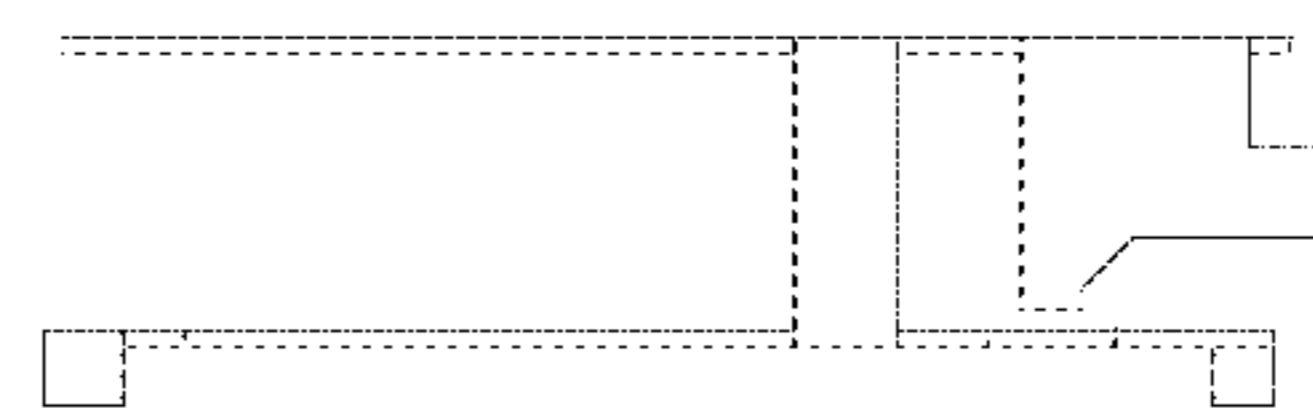


FIG. 9

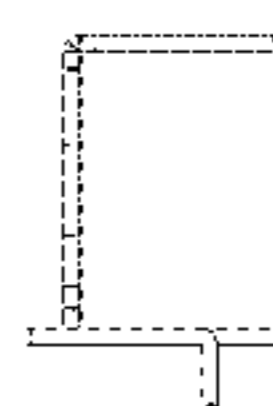


FIG. 6

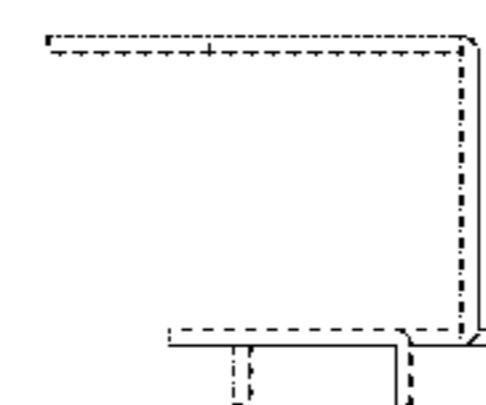


FIG. 10



FIG. 7

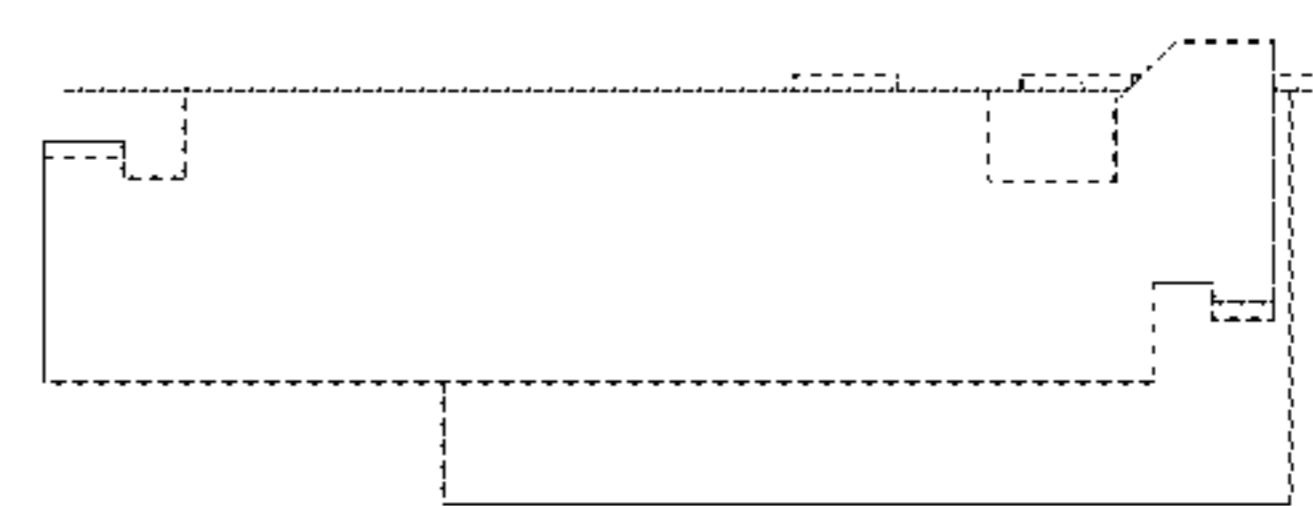


FIG. 11