



US00D754106S

(12) **United States Design Patent**  
**Wise et al.**

(10) **Patent No.:** **US D754,106 S**  
(45) **Date of Patent:** **\*\* Apr. 19, 2016**

- (54) **MICROPHONE COVER**
- (71) Applicant: **GIBSON BRANDS, INC.**, Nashville, TN (US)
- (72) Inventors: **Bernard Wise**, Agoura, CA (US); **Martins Saulespurens**, Thousand Oaks, CA (US); **Martin Wolf**, Valencia, CA (US)
- (73) Assignee: **Gibson Brands, Inc.**, Nashville, TN (US)
- (\*\*) Term: **14 Years**
- (21) Appl. No.: **29/513,178**
- (22) Filed: **Dec. 29, 2014**
- (51) **LOC (10) Cl.** ..... **14-01**
- (52) **U.S. Cl.**  
USPC ..... **D14/225**
- (58) **Field of Classification Search**  
USPC ..... D14/195, 203.1, 203.8, 217, 219, 222, D14/224-229, 356, 496; 181/143, 144, 158, 181/198, 242; 381/91, 122, 345, 354, 363, 381/368, 369  
CPC ..... H04R 19/005; H04R 19/04  
See application file for complete search history.

D415,159 S *	10/1999	Nakano	.....	D14/215
D529,484 S *	10/2006	Probst	.....	D14/228
D551,661 S *	9/2007	Probst	.....	D14/225
D563,286 S *	3/2008	Files	.....	D12/114
D584,717 S *	1/2009	Files	.....	D12/114
D606,517 S *	12/2009	Nousiainen	.....	D14/216
D728,520 S *	5/2015	Zhang	.....	D14/216
9,118,989 B2 *	8/2015	Zukowski	.....	H04R 1/086
2012/0294464 A1 *	11/2012	Zhang	.....	H04R 19/005 381/174

\* cited by examiner

*Primary Examiner* — Susan Hattan

*Assistant Examiner* — Leanne Was

(74) *Attorney, Agent, or Firm* — Bates & Bates, LLC

(57) **CLAIM**

What is claimed is the ornamental design for a microphone cover, as shown and described.

**DESCRIPTION**

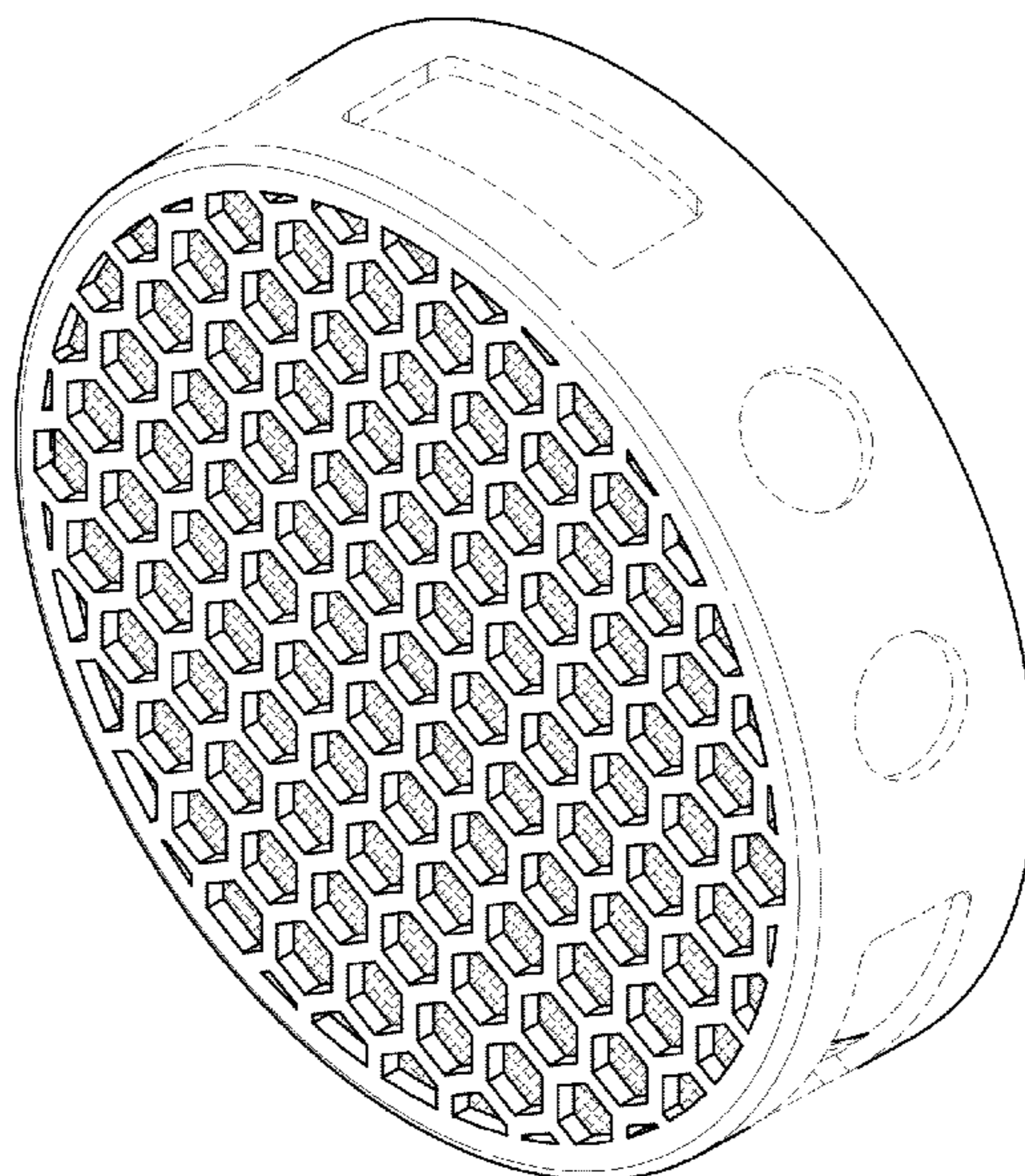
FIG. 1 is a perspective view of the front of a microphone cover;  
 FIG. 2 is a perspective view of the back of the microphone cover;  
 FIG. 3 is a front view of the microphone cover;  
 FIG. 4 is a back view of the microphone cover;  
 FIG. 5 is a left side view of the microphone cover;  
 FIG. 6 is a right side view of the microphone cover;  
 FIG. 7 is a bottom view of the microphone cover;  
 FIG. 8 is a top view of the microphone cover; and,  
 FIG. 9 is a contextual perspective view of the microphone cover showing a microphone.  
 The broken lines in FIGS. 1-9 represent portions of the microphone cover that form no part of the claim.

**1 Claim, 7 Drawing Sheets**

(56) **References Cited**

U.S. PATENT DOCUMENTS

D71,657 S *	12/1926	Barton et al.	.....	D14/211
D265,647 S *	8/1982	Liautaud	.....	D14/225
D323,327 S *	1/1992	Davidson	.....	D14/219
D362,442 S *	9/1995	Goldfarb	.....	D14/215
D389,152 S *	1/1998	Kurihara	.....	D14/215



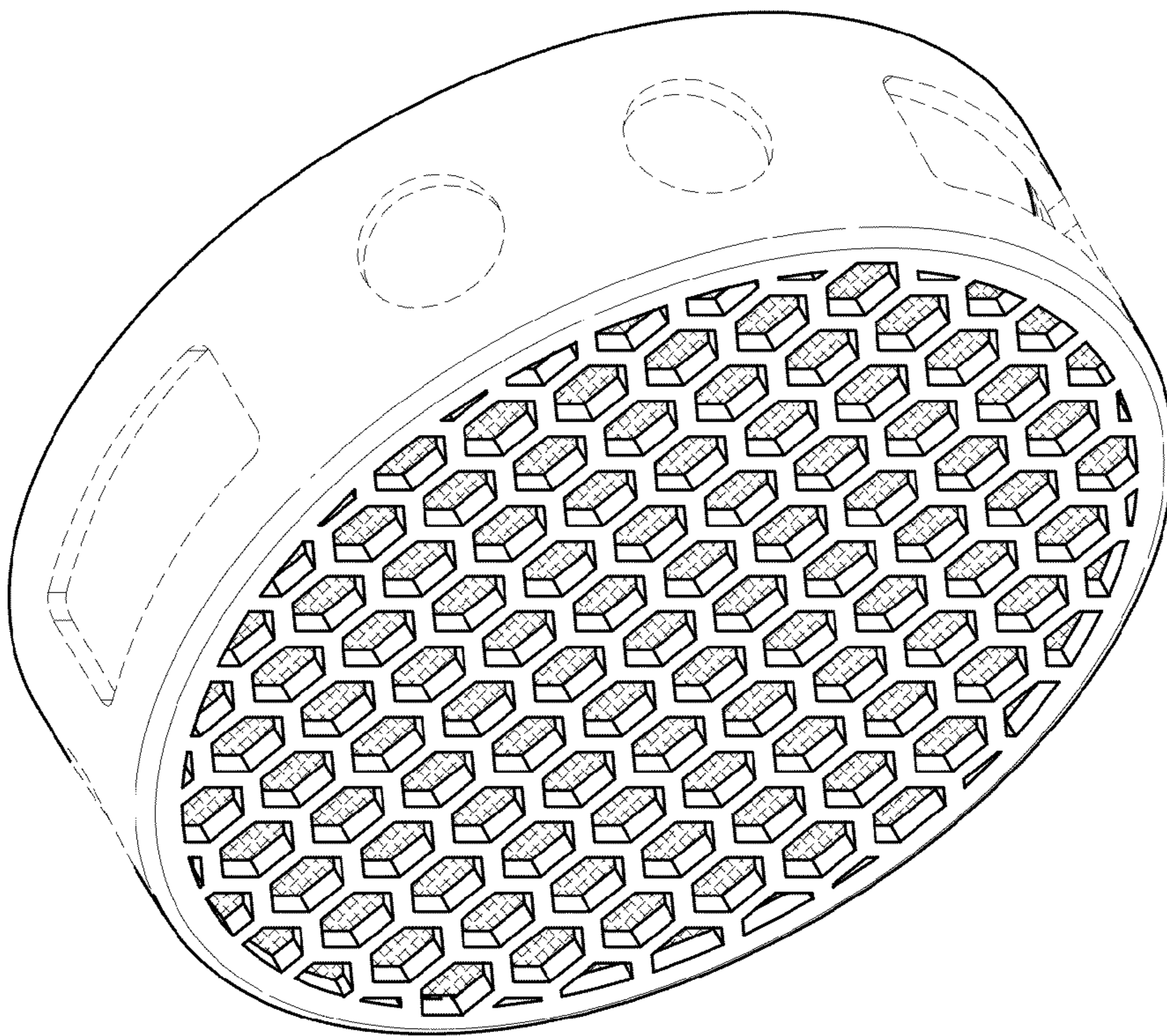


FIG. 1

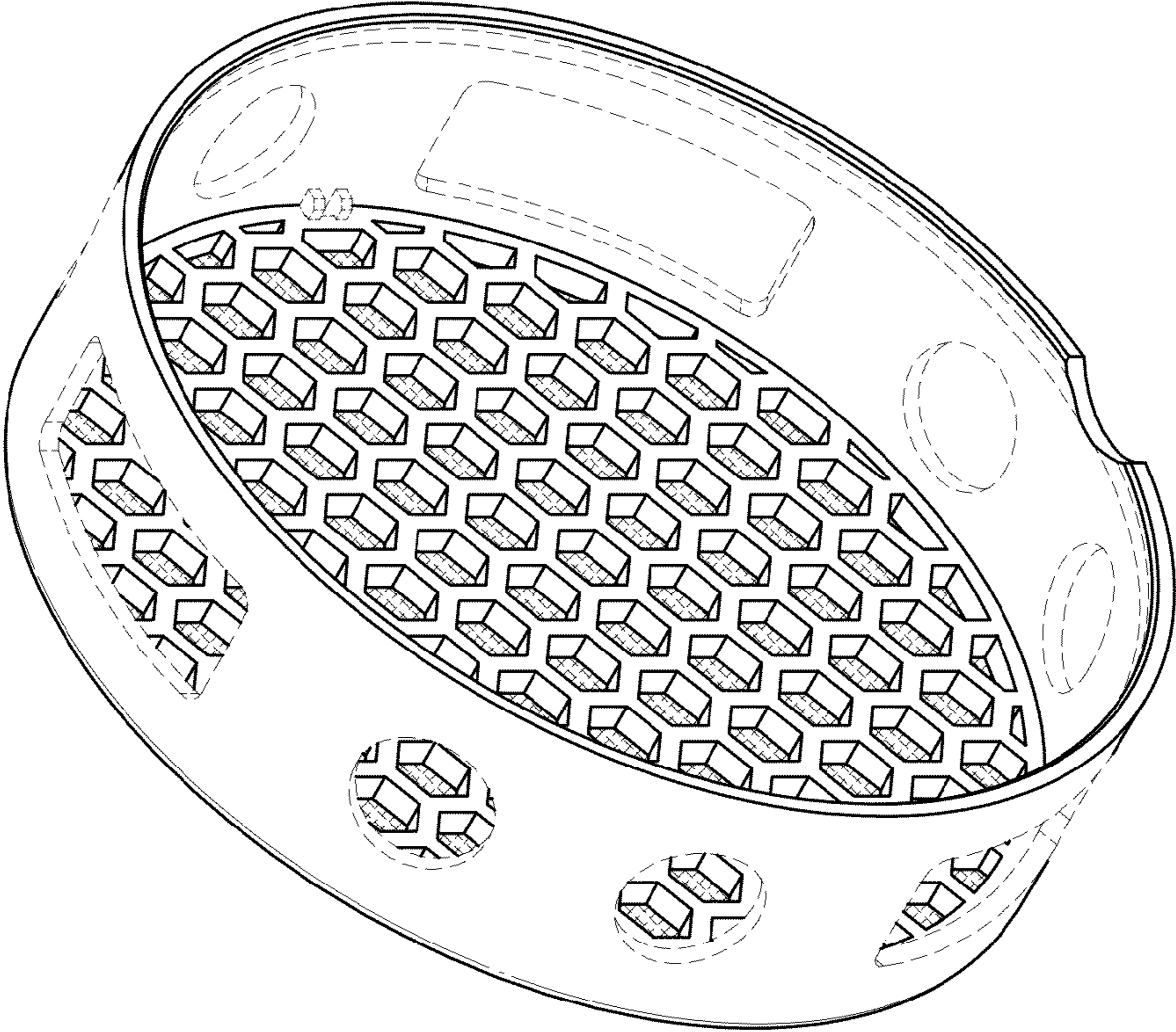


FIG. 2

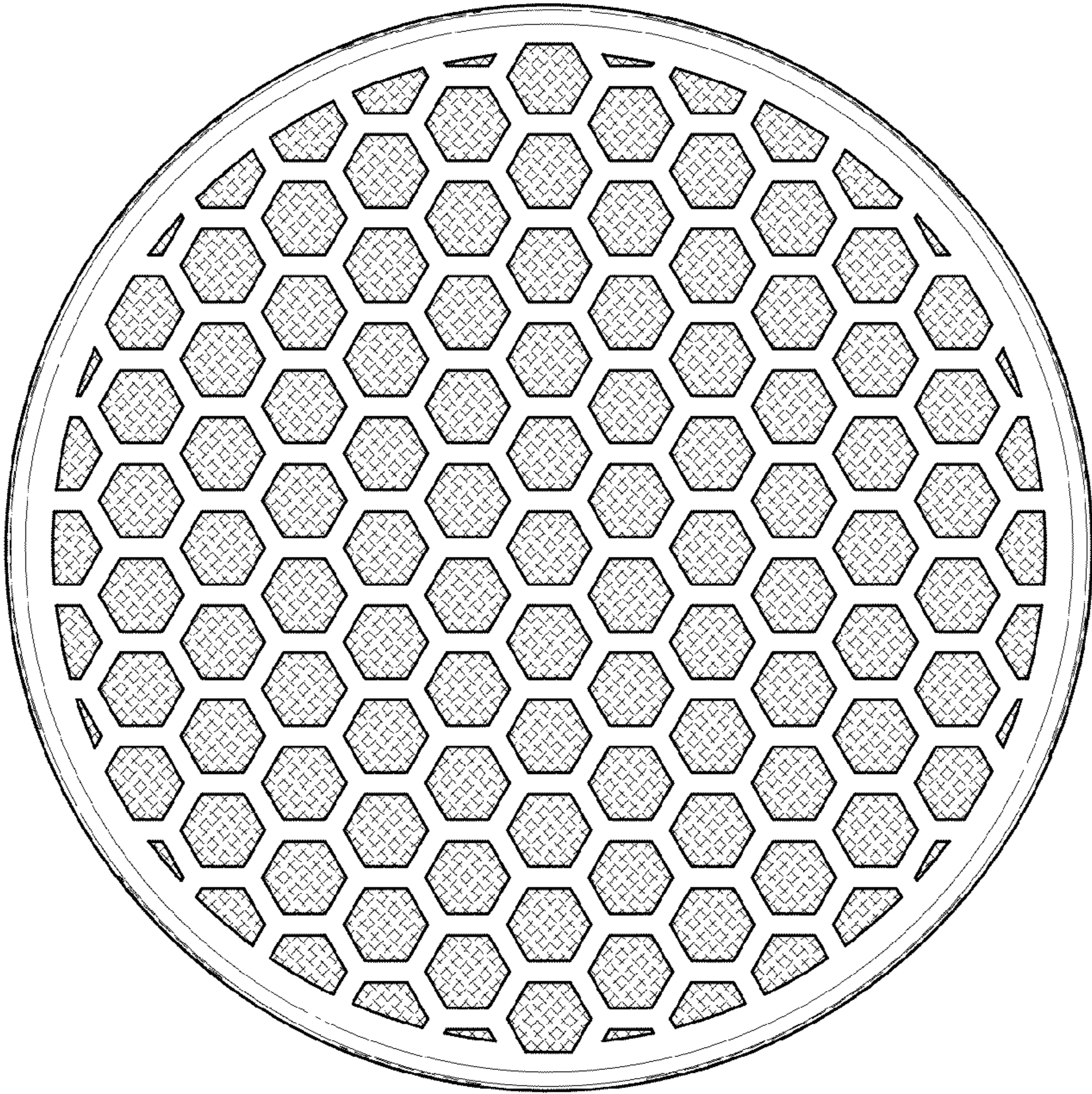


FIG. 3

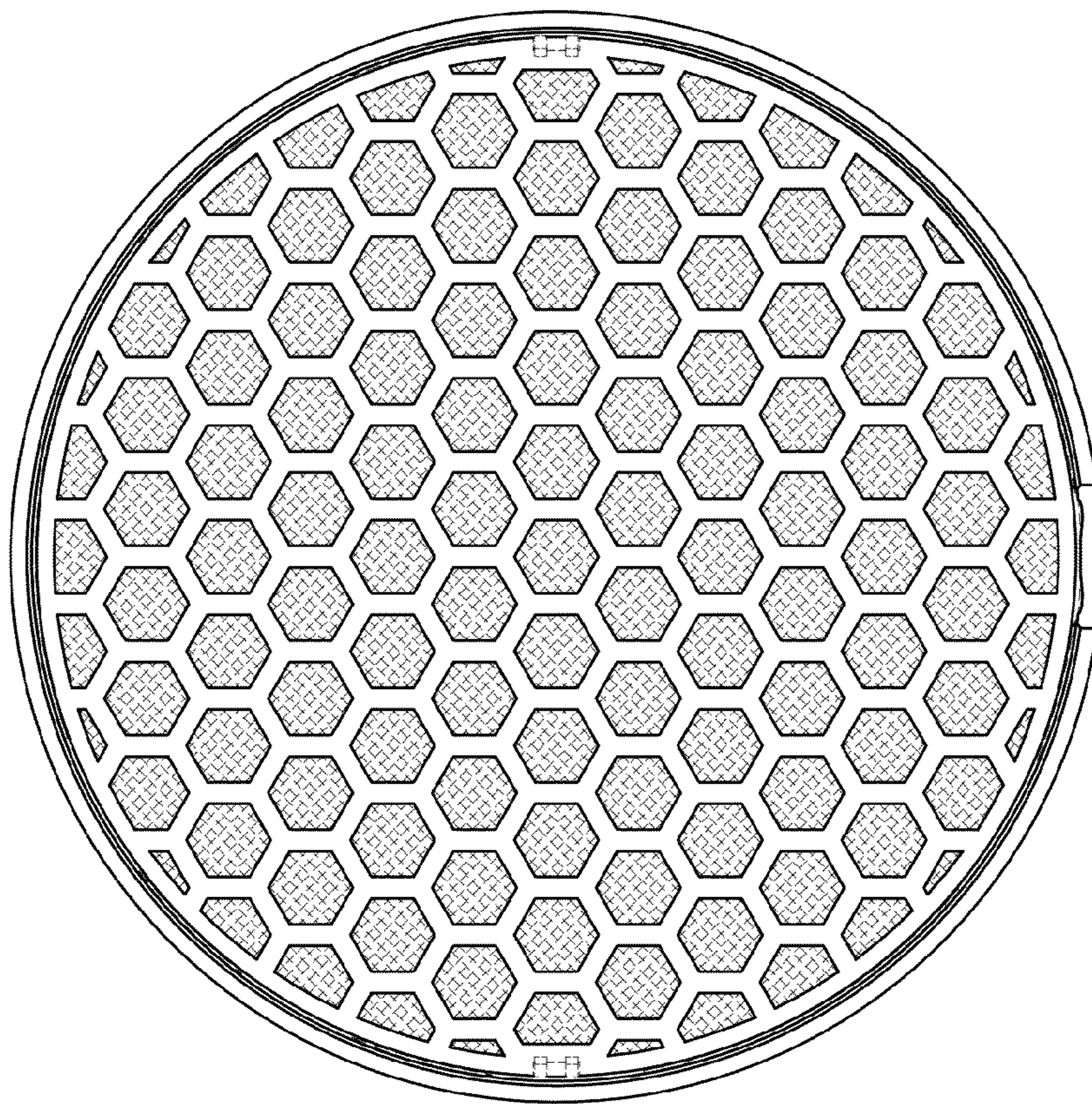


FIG. 4

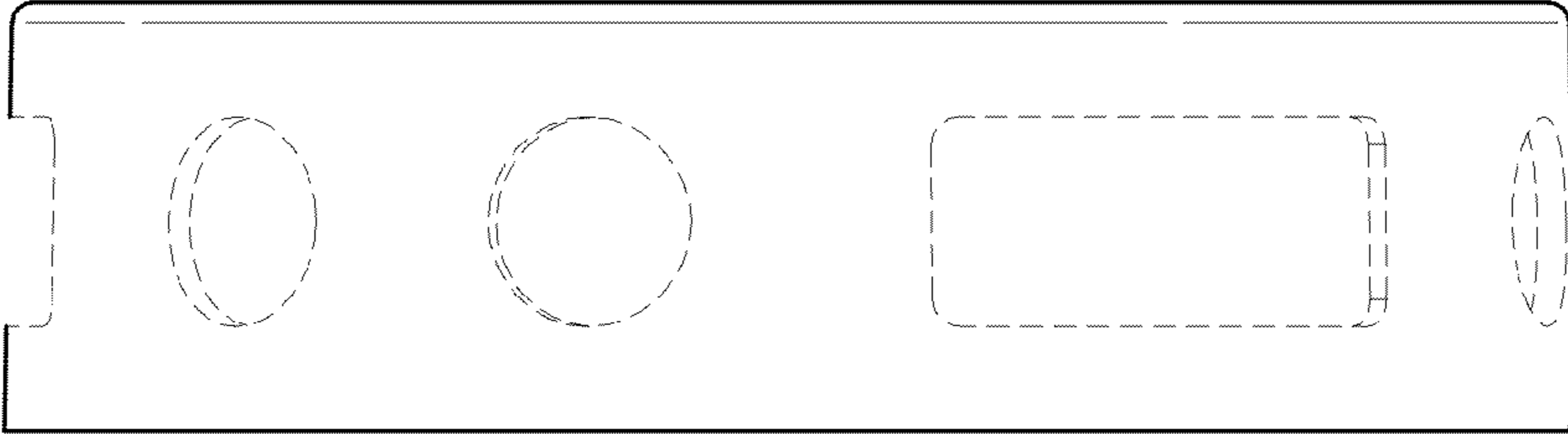


FIG. 5

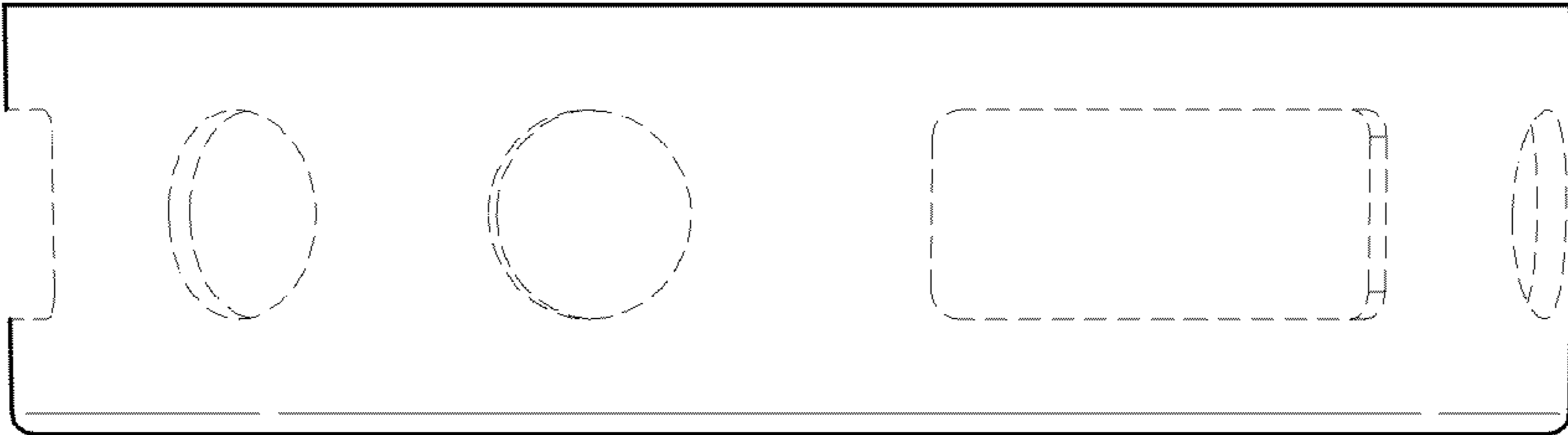


FIG. 6

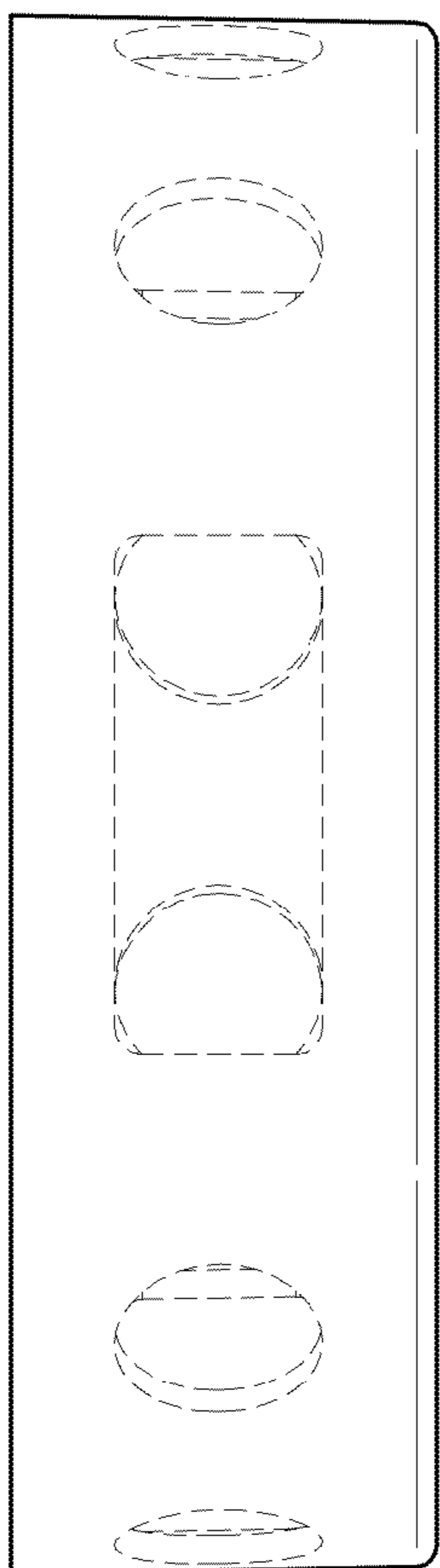


FIG. 7

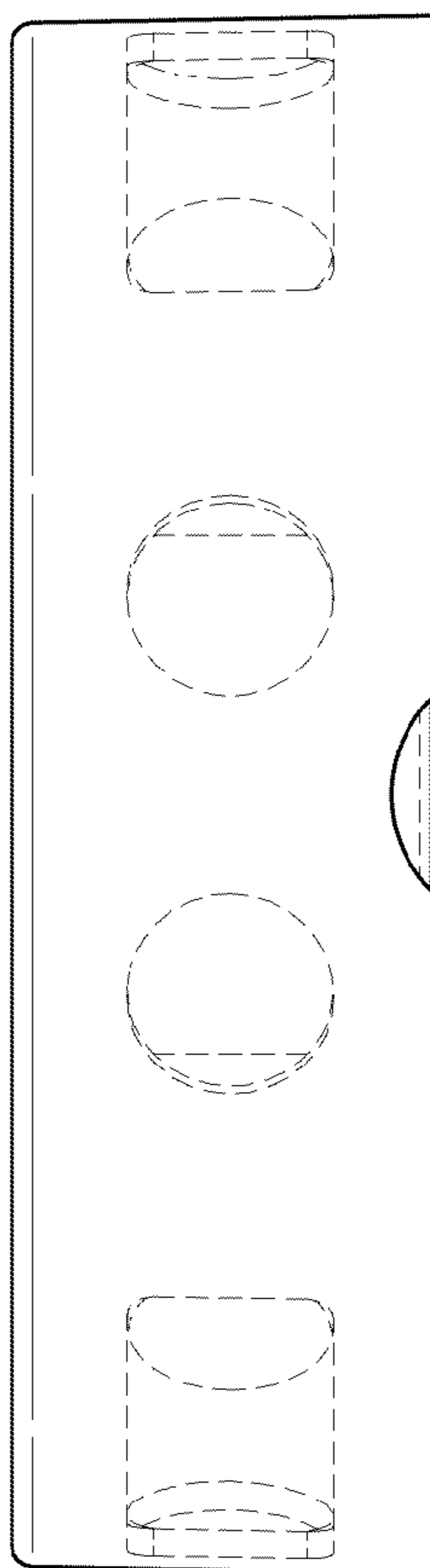


FIG. 8

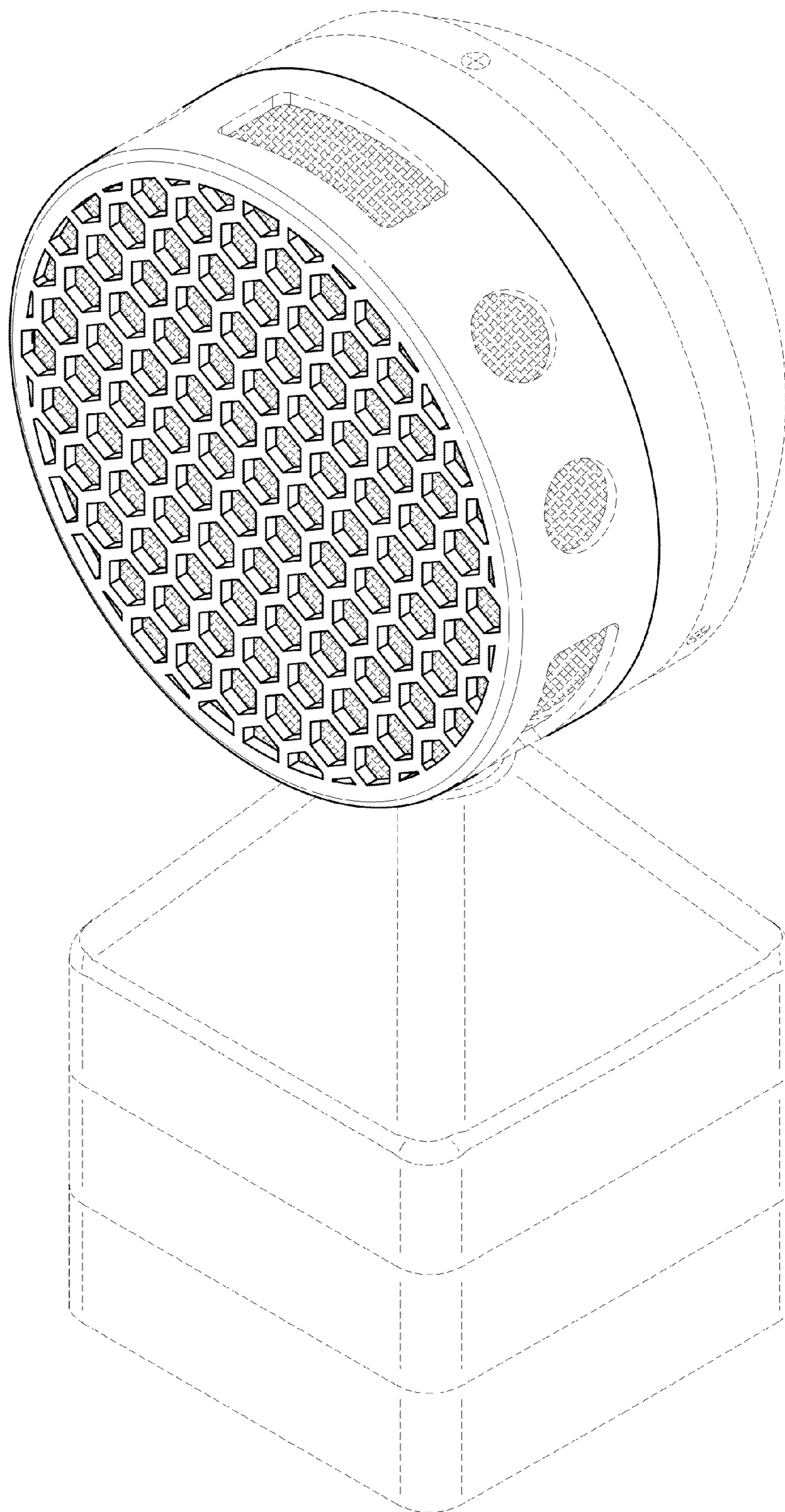


FIG. 9