



US00D754105S

(12) **United States Design Patent**  
**Jou et al.**

(10) **Patent No.:** **US D754,105 S**  
(45) **Date of Patent:** **\*\* Apr. 19, 2016**

(54) **REMOTE WITH ILLUMINATED REGION**

(71) Applicant: **Comcast Cable Communications, LLC**, Philadelphia, PA (US)

(72) Inventors: **Michael Jou**, Philadelphia, PA (US); **Thomas Loretan**, Philadelphia, PA (US); **Edward Grauch**, Philadelphia, PA (US); **Michael Sallas**, Radnor, PA (US); **Ashley Moran**, Philadelphia, PA (US)

(73) Assignee: **Comcast Cable Communications, LLC**, Philadelphia, PA (US)

(\*\*) Term: **14 Years**

(21) Appl. No.: **29/493,415**

(22) Filed: **Jun. 9, 2014**

(51) **LOC (10) Cl.** ..... **14-03**

(52) **U.S. Cl.**  
USPC ..... **D14/218**

(58) **Field of Classification Search**  
USPC ..... D14/218, 349, 480.5; D13/168, 173, D13/162, 162.1, 166, 171, 174  
CPC ..... H04N 5/4403; H04N 5/765; G08C 23/04  
See application file for complete search history.

(56) **References Cited**

**U.S. PATENT DOCUMENTS**

D500,309 S	*	12/2004	Borsboom	.....	D14/218
D527,370 S	*	8/2006	Wong	.....	D14/147
D532,775 S	*	11/2006	Ikeda	.....	D14/218
D541,261 S	*	4/2007	Ikeda	.....	D14/218
D543,196 S	*	5/2007	Krzyzanowski	.....	D14/218
D559,231 S	*	1/2008	Krzyzanowski	.....	D14/218
D573,957 S	*	7/2008	Ledbetter	.....	D13/168
D585,052 S	*	1/2009	Mamane	.....	D14/218
D587,689 S	*	3/2009	Hwang	.....	D14/218

(Continued)

**FOREIGN PATENT DOCUMENTS**

CN 301474188 \* 2/2011  
JP D1218986 \* 10/2004

**OTHER PUBLICATIONS**

Supersonic Sc-26 Universal Remote Control Walmart.com, review date 2015, online, <http://www.walmart.com/ip/Supersonic-Universal-Remote-Control/41046963>, site visited Oct. 14, 2015.\*

(Continued)

*Primary Examiner* — John Windmuller

*Assistant Examiner* — John R Yeh

(74) *Attorney, Agent, or Firm* — Banner & Witcoff, Ltd.

(57) **CLAIM**

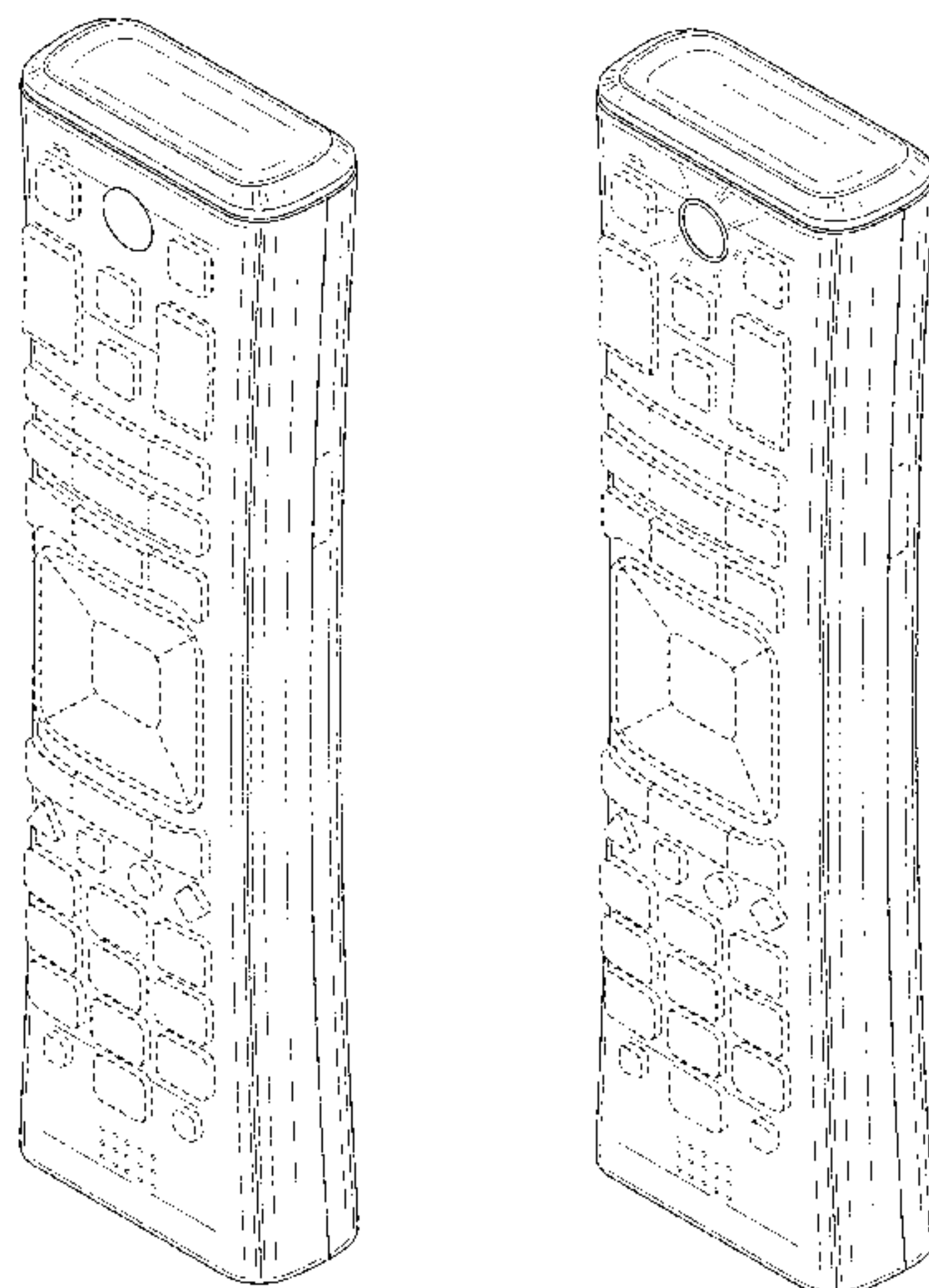
The ornamental design for a remote with illuminated region, as shown and described.

**DESCRIPTION**

FIG. 1 is a front perspective of a remote with illuminated region in a non-illuminated state showing our new design; FIG. 2 is a front view thereof; FIG. 3 is a rear view thereof; FIG. 4 is a left side view thereof; FIG. 5 is a right side view thereof; FIG. 6 is a top view thereof; FIG. 7 is a bottom view thereof; FIG. 8 is a front perspective of the remote of FIGS. 1-7 showing the illuminated region in an illuminated state; FIG. 9 is a front view thereof; FIG. 10 is a rear view thereof; FIG. 11 is a left side view thereof; FIG. 12 is a right side view thereof; FIG. 13 is a top view thereof; and, FIG. 14 is a bottom view thereof.

The broken lines show portions of the remote with illuminated region that are not part of the claimed design. The radiating lines emanating from the circle in FIGS. 8-14 represent illumination.

**1 Claim, 8 Drawing Sheets**



(56)

**References Cited**

**OTHER PUBLICATIONS**

U.S. PATENT DOCUMENTS

D605,178 S \* 12/2009 Maier ..... D14/218  
D643,398 S \* 8/2011 Zakarias ..... D14/148  
D656,487 S \* 3/2012 Corsini ..... D14/218  
D724,059 S \* 3/2015 Kim ..... D14/218

Comcast website remote controls, website copyright 2015, online,  
[https://customer.xfinity.com/help-and-support/  
xfinityremotecontrols/](https://customer.xfinity.com/help-and-support/xfinityremotecontrols/), site visited Oct. 14, 2015.\*

\* cited by examiner

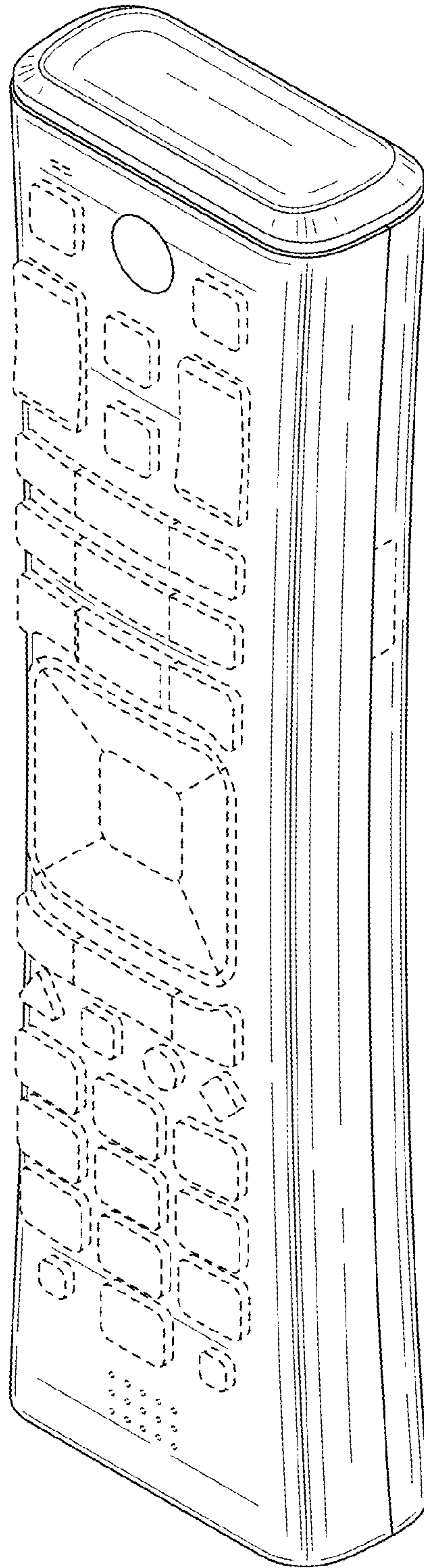


FIG. 1

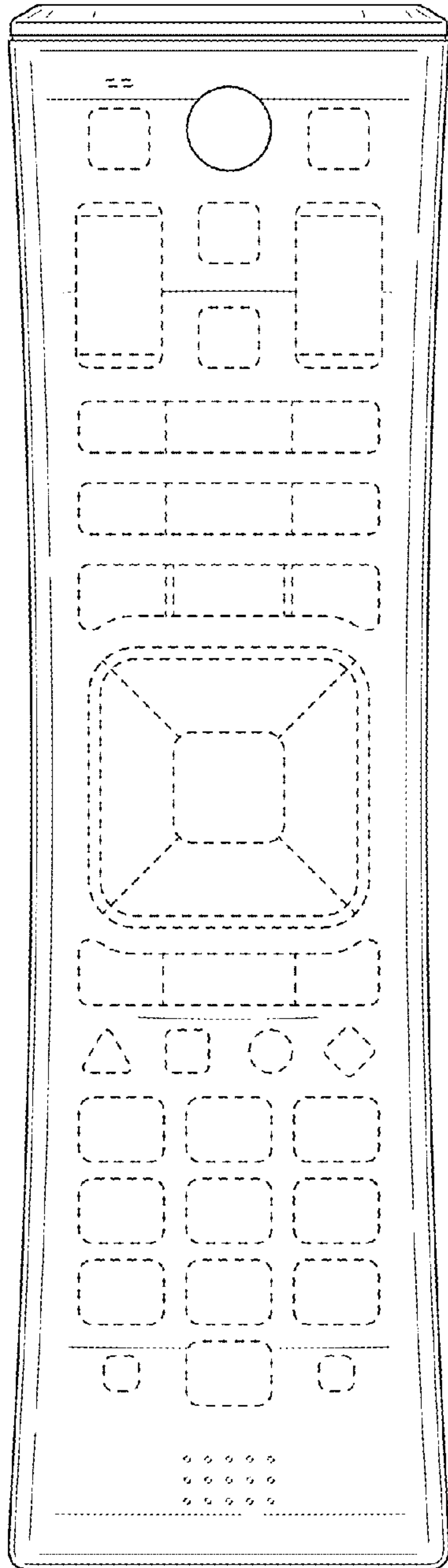


FIG. 2

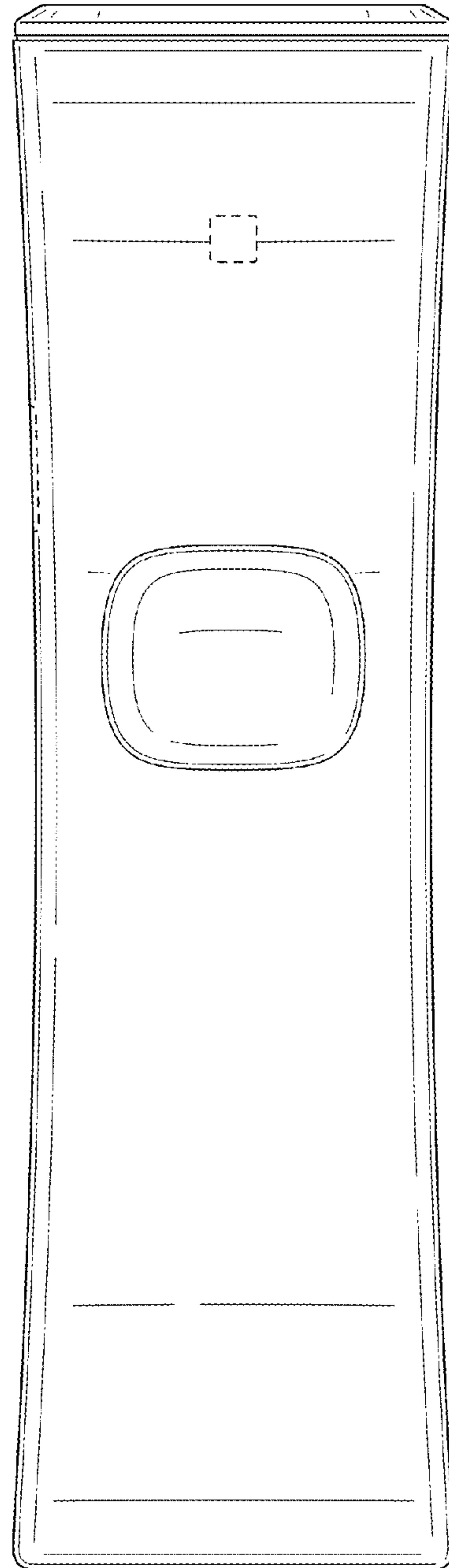


FIG. 3

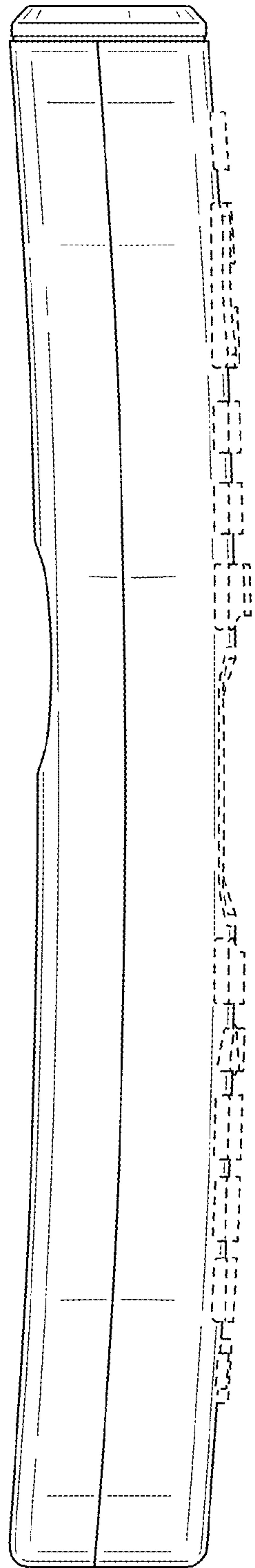


FIG. 4

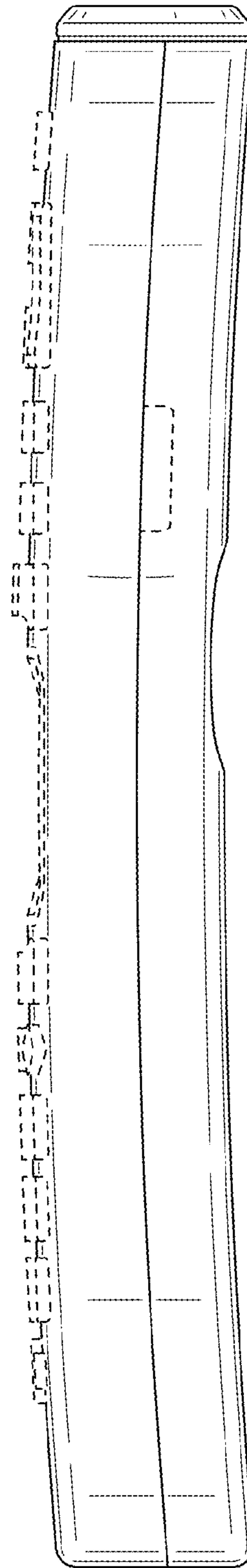


FIG. 5



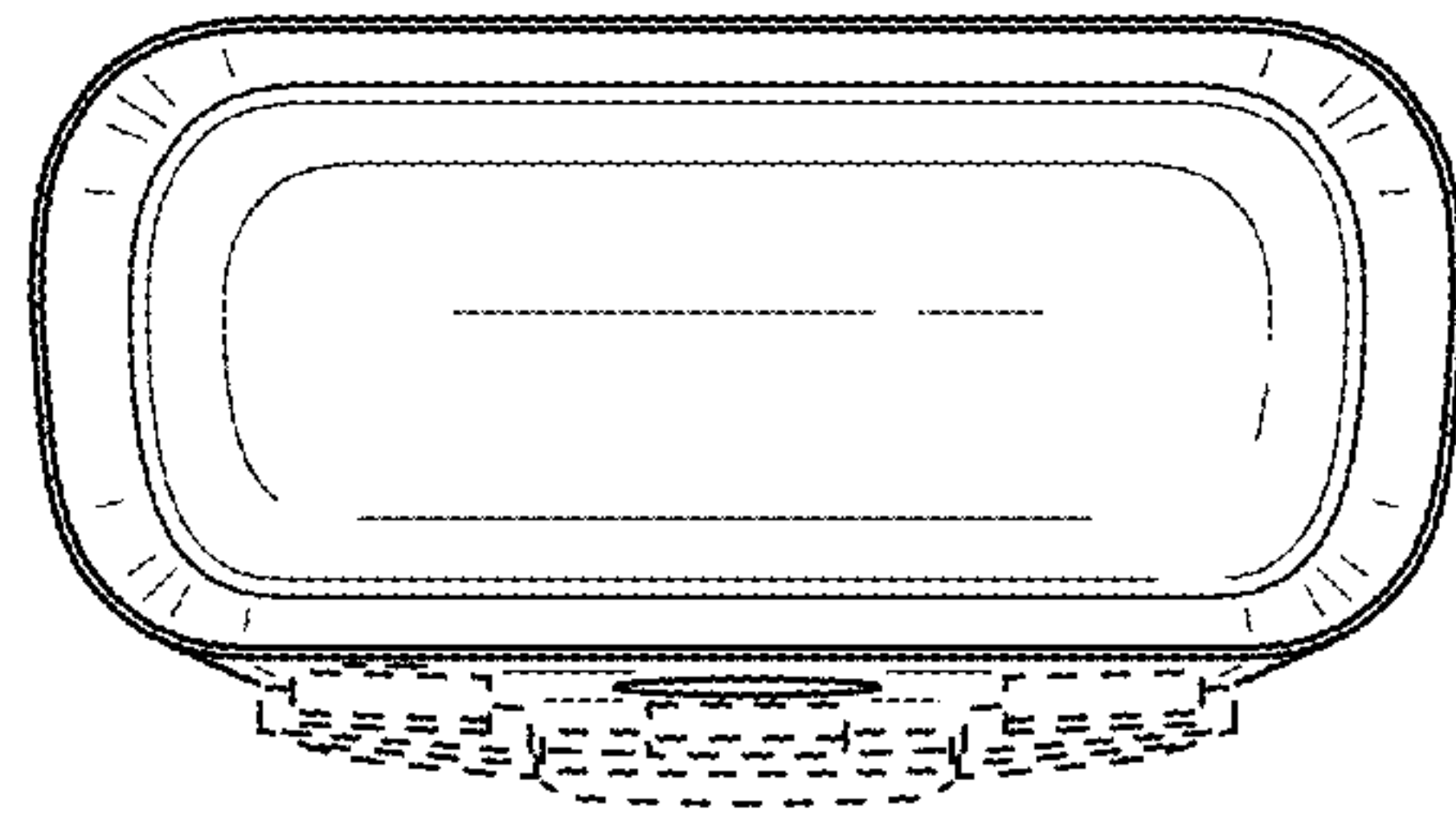


FIG. 6

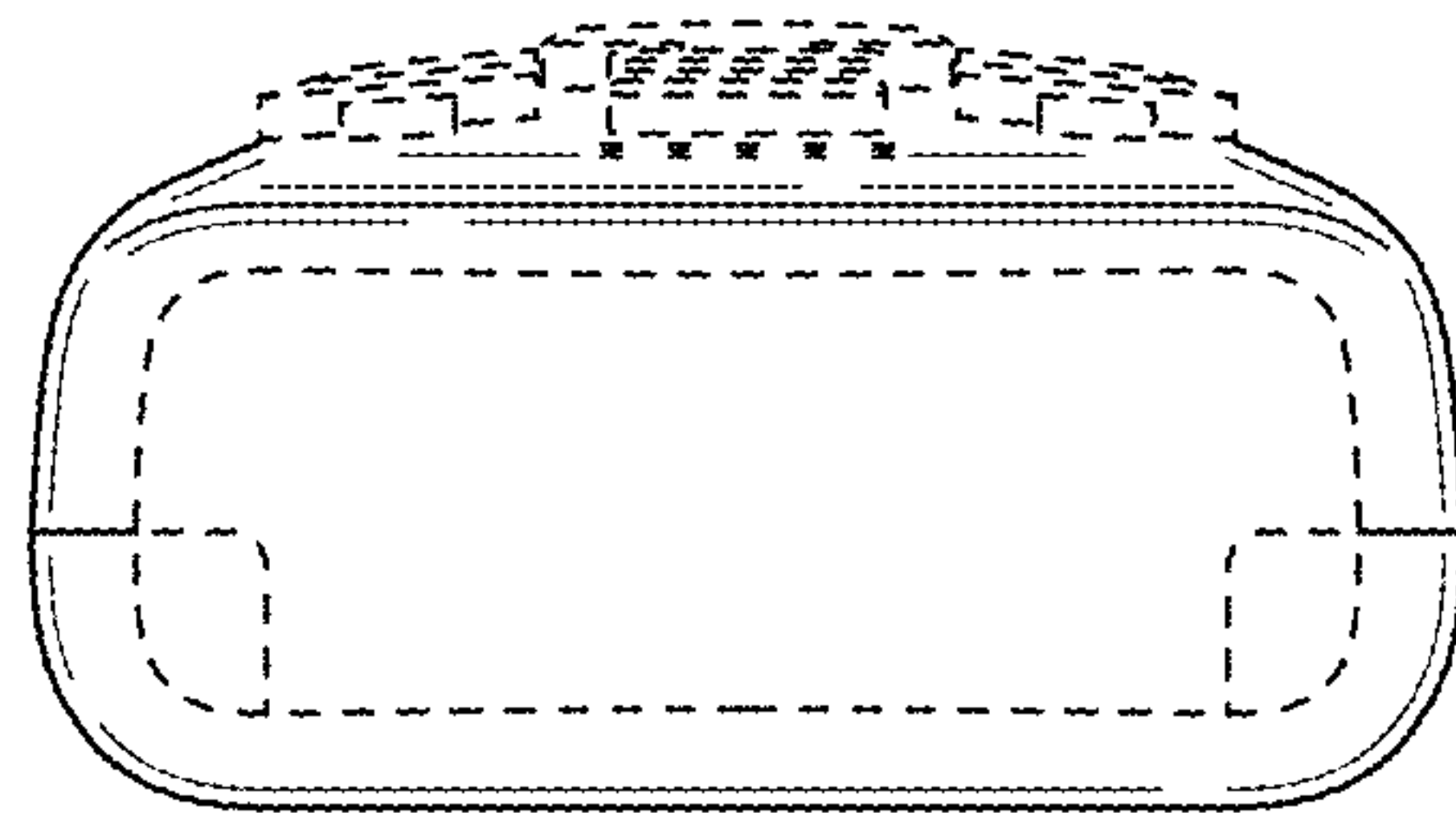


FIG. 7

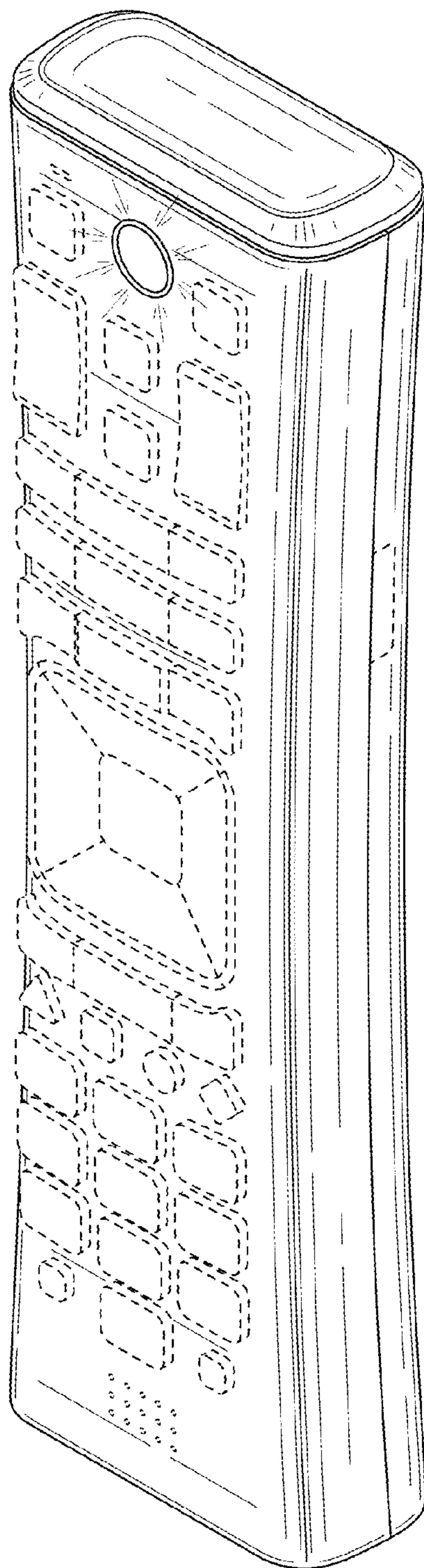


FIG. 8

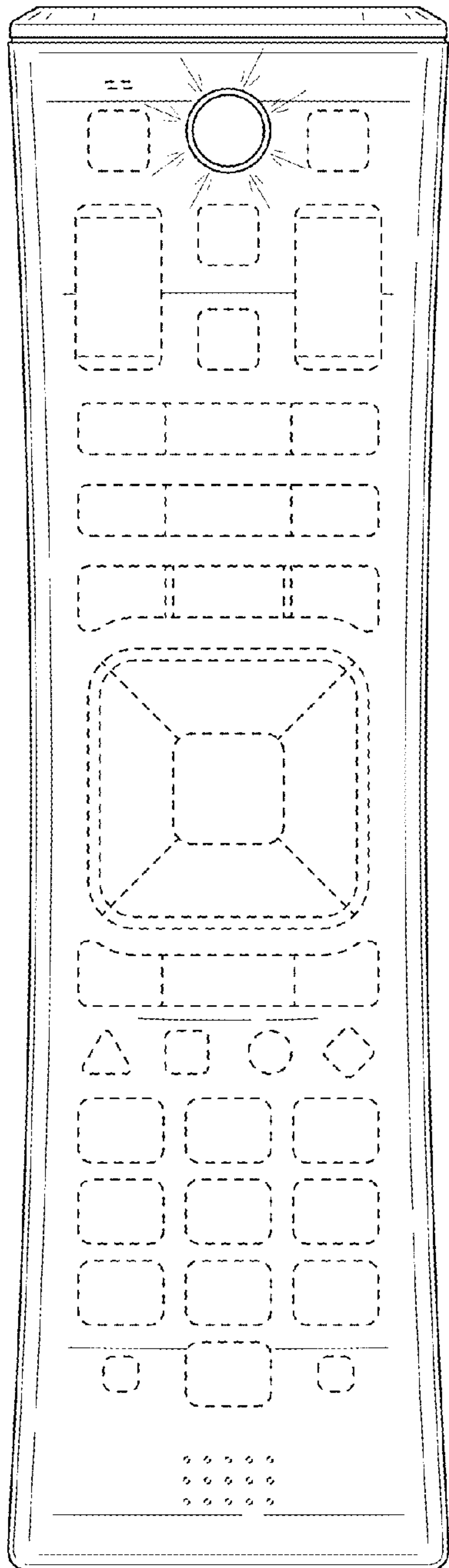


FIG. 9

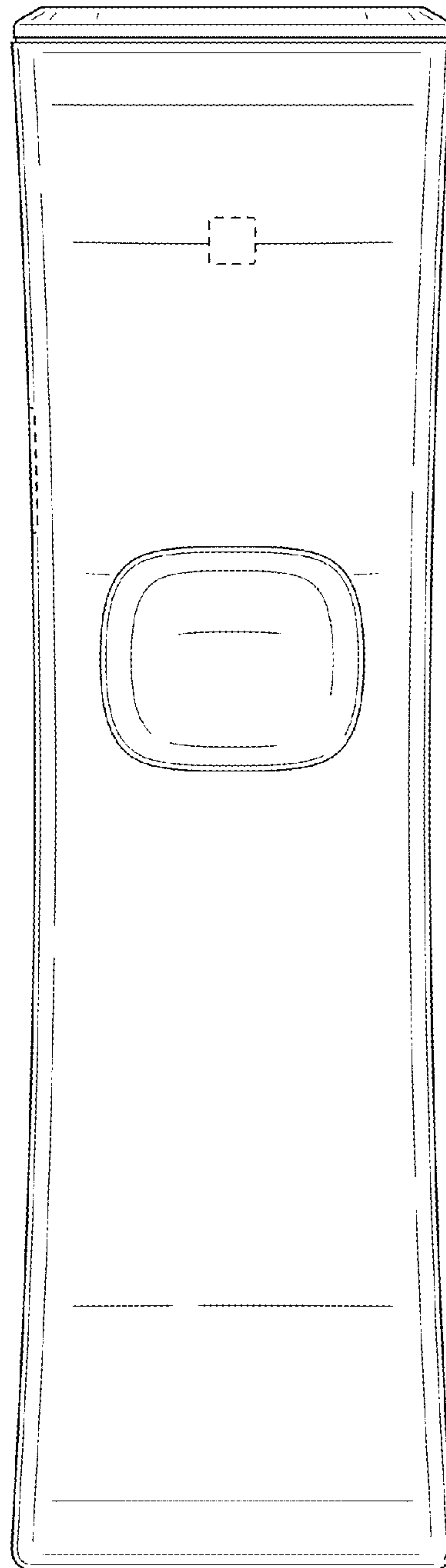


FIG. 10



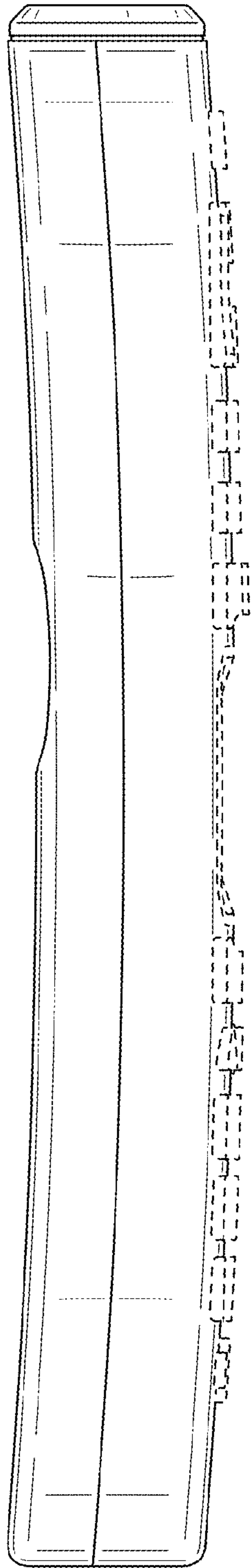


FIG. 11

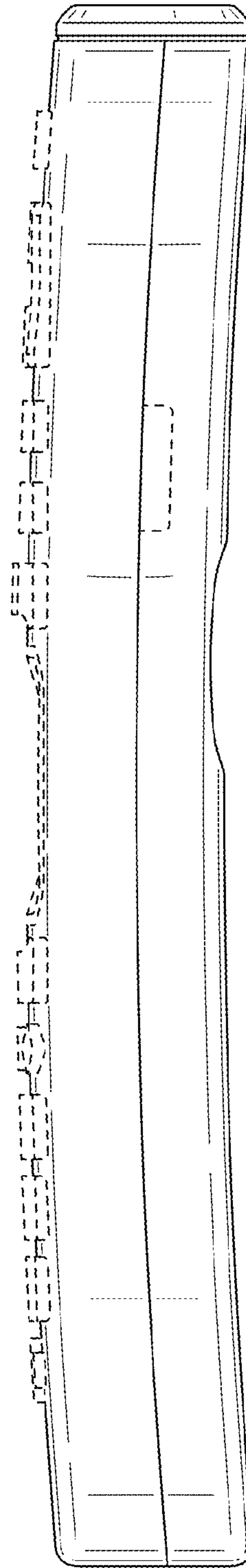


FIG. 12

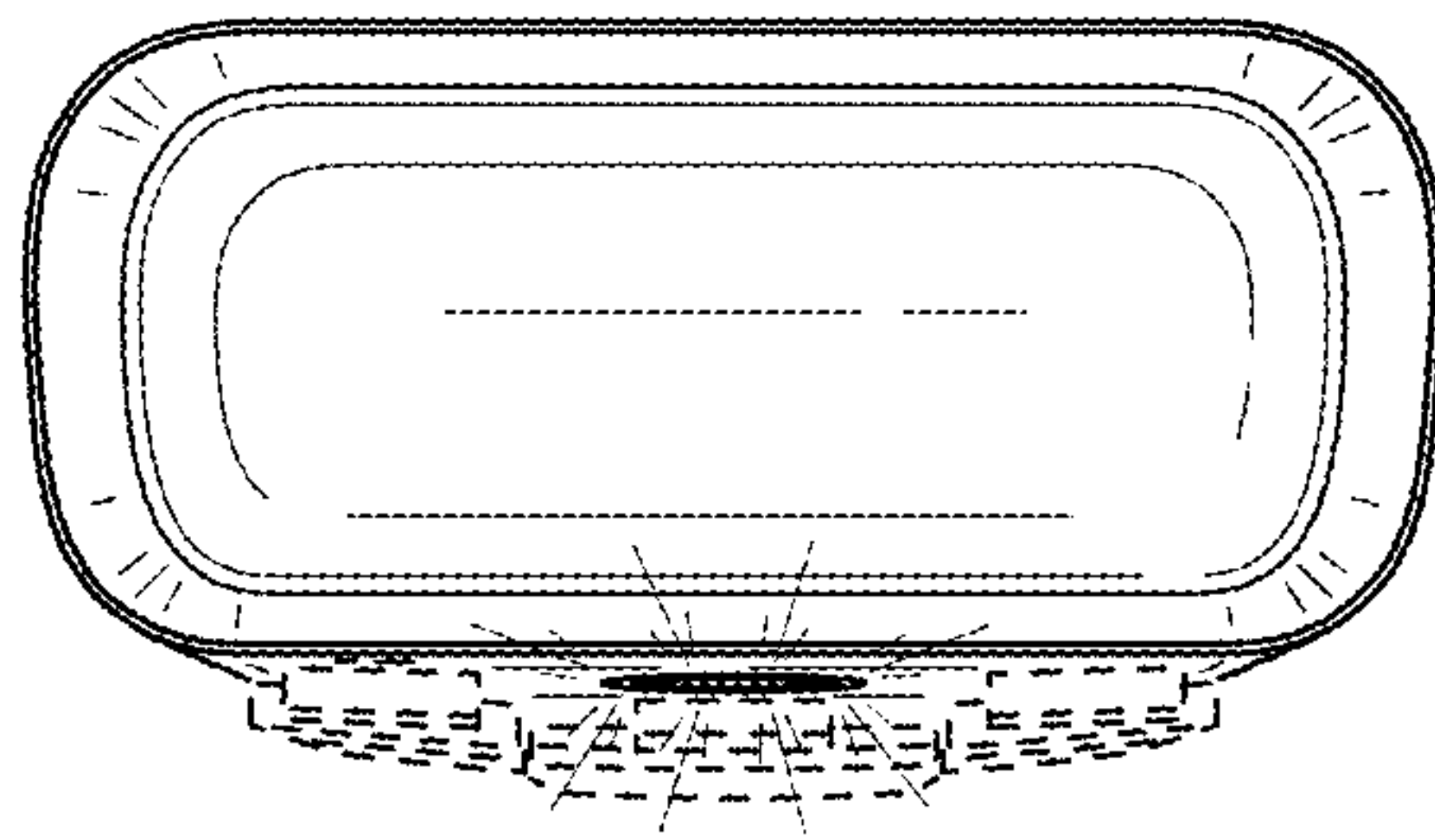


FIG. 13

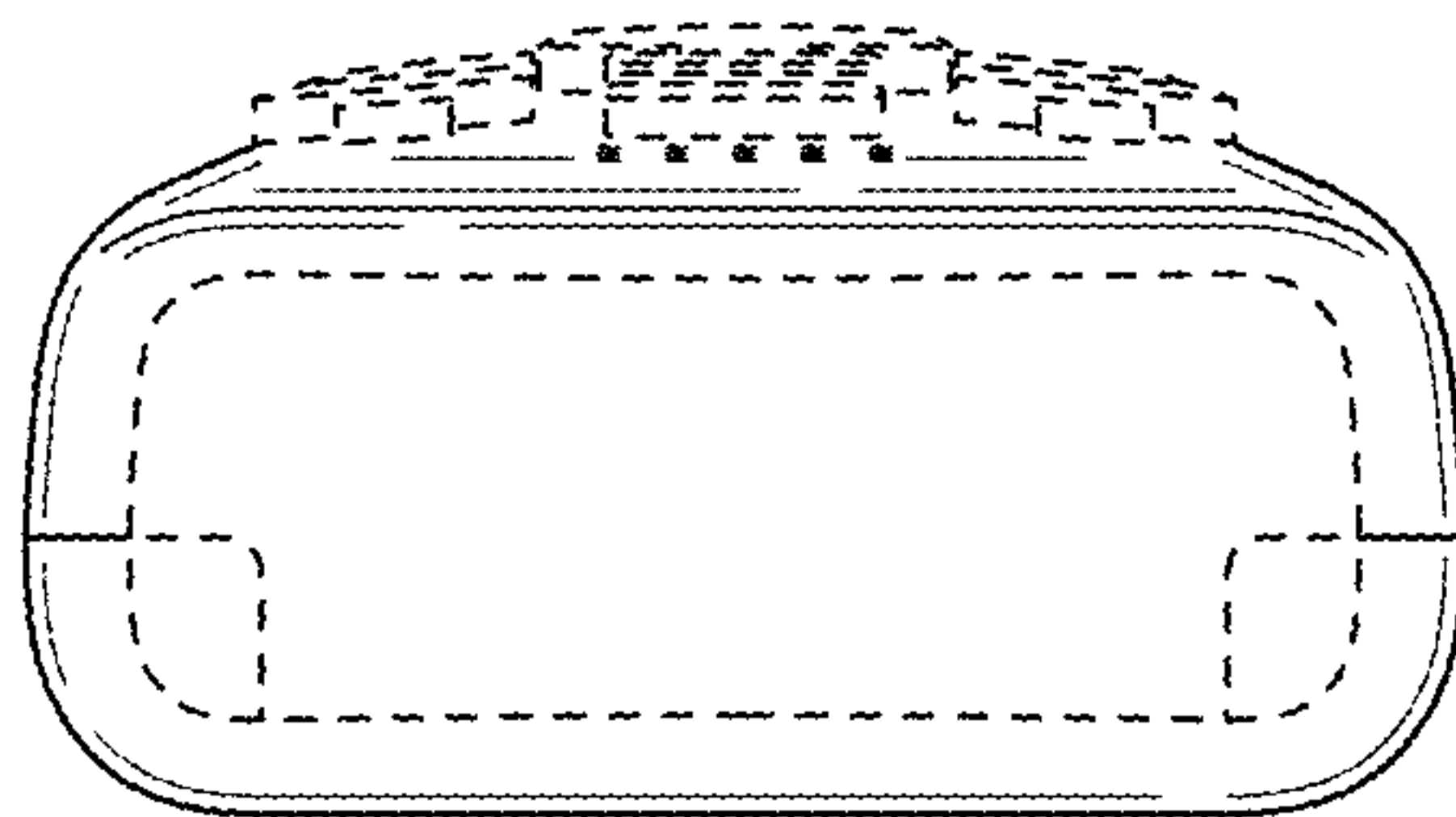


FIG. 14