



US00D754101S

(12) **United States Design Patent**
McManigal

(10) **Patent No.:** **US D754,101 S**
(45) **Date of Patent:** **** Apr. 19, 2016**

(54) **SUBWOOFER**

(71) Applicant: **Vizio Inc**, Irvine, CA (US)
(72) Inventor: **Scott McManigal**, Irvine, CA (US)
(73) Assignee: **Vizio, Inc**, Irvine, CA (US)
(**) Term: **14 Years**

(21) Appl. No.: **29/506,010**
(22) Filed: **Oct. 12, 2014**
(51) **LOC (10) Cl.** **14-03**
(52) **U.S. Cl.**
USPC **D14/214**
(58) **Field of Classification Search**
USPC D14/167, 168, 170–172, 188, 194–196,
D14/204, 207, 209.1, 210–216, 219, 221,
D14/222, 224, 496; 181/143, 144, 147, 148,
181/150, 153, 157, 198, 199; 381/300–303,
381/306, 332, 333, 336, 345, 361–364,
381/386–388; 369/6–12
CPC B60R 11/0217; G06F 1/1688; H04M 1/03;
H04M 1/035; H01R 1/02; H01R 1/06; H01R
1/021; H01R 1/025; H01R 1/026; H01R
1/028; H01R 1/105; H01R 1/323; H01R
1/403; H01R 1/2803; H01R 1/2834; H01R
5/02; H01R 7/20; H01R 9/06; H01R 9/025;
H01R 2201/021; H01R 2400/00; H01R
2400/07; H01R 2499/11; H01R 2499/13;
H01R 2499/15

See application file for complete search history.

(56) **References Cited**

U.S. PATENT DOCUMENTS

D563,994 S *	3/2008	Liu	D14/356
D690,280 S *	9/2013	Schul	D14/168
D727,294 S *	4/2015	Gan	D14/214
D739,845 S *	9/2015	Hwang	D14/214

* cited by examiner

Primary Examiner — Keli L Hill

(74) *Attorney, Agent, or Firm* — Law Office of Scott C Harris, Inc

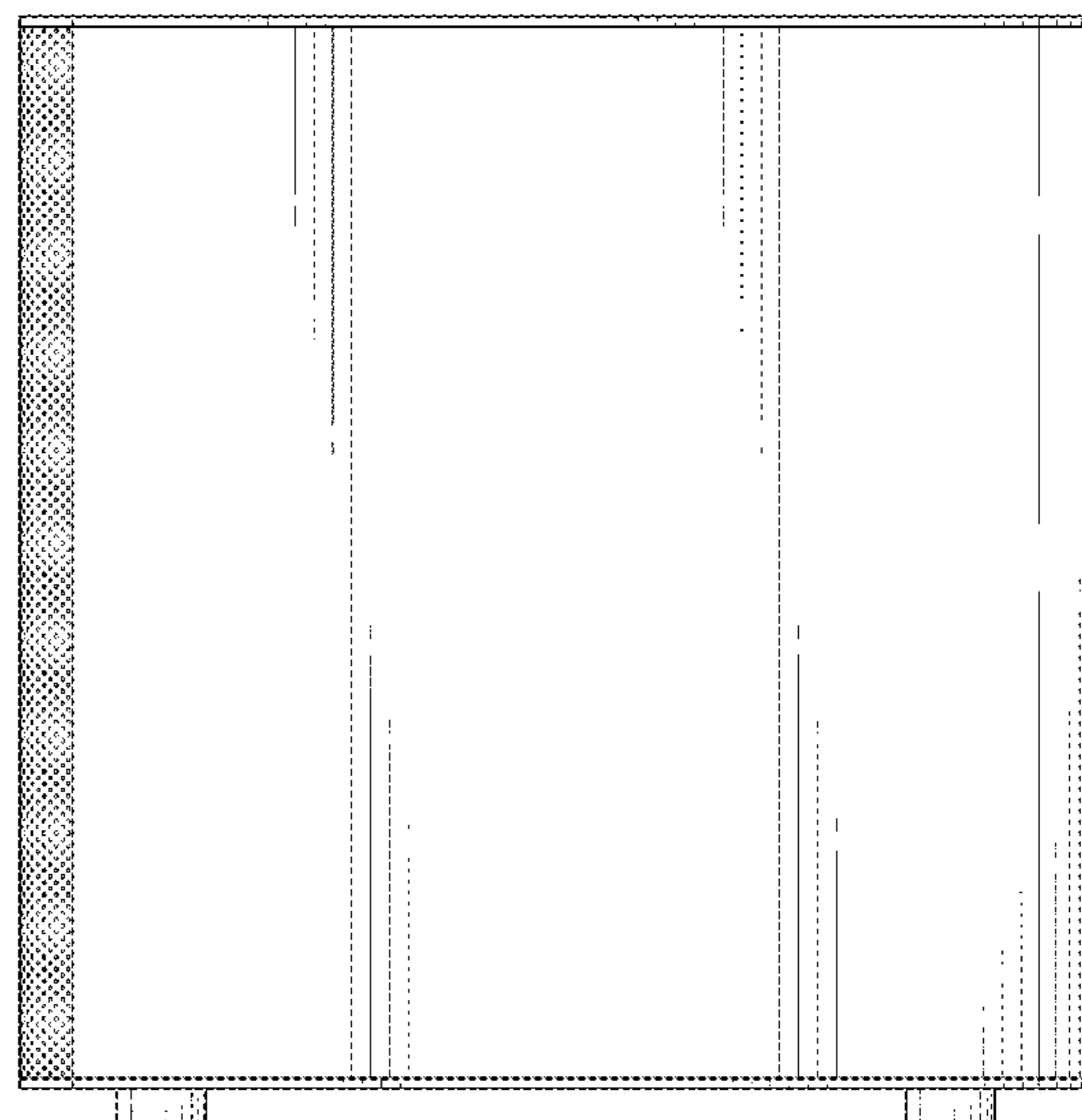
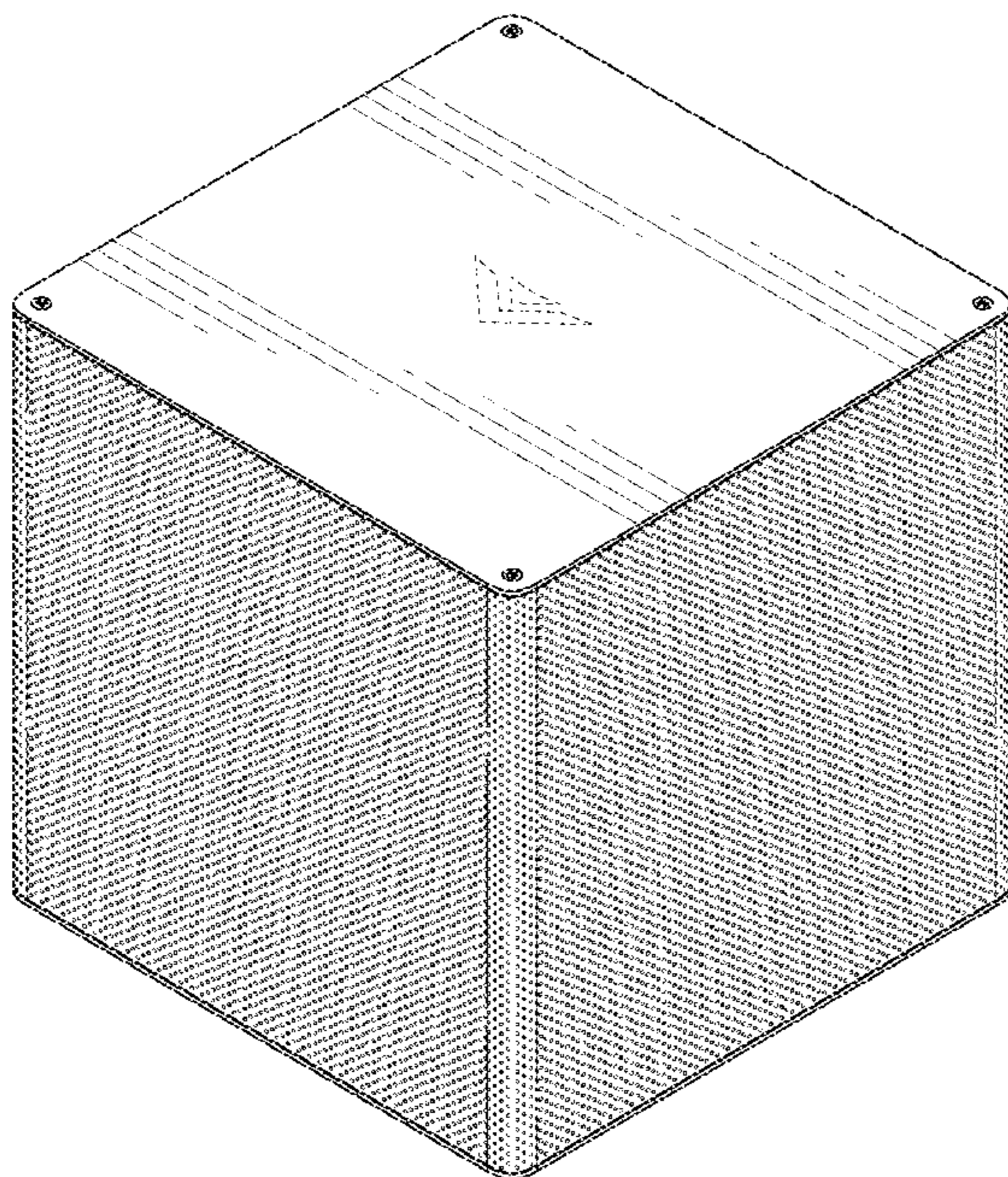
(57) **CLAIM**

I claim the ornamental design for a subwoofer, as shown and described.

DESCRIPTION

FIG. 1 shows a front perspective view of the subwoofer; FIG. 2 shows a front view of the subwoofer; FIG. 3 shows a rear view of the subwoofer; FIG. 4 shows a first side view of the subwoofer; FIG. 5 shows a second side view of the subwoofer; FIG. 6 shows a top view of the subwoofer; and, FIG. 7 shows a bottom view of the subwoofer. The broken lines shown are included for the purpose of illustrating portions of the subwoofer that form no part of the claim.

1 Claim, 7 Drawing Sheets



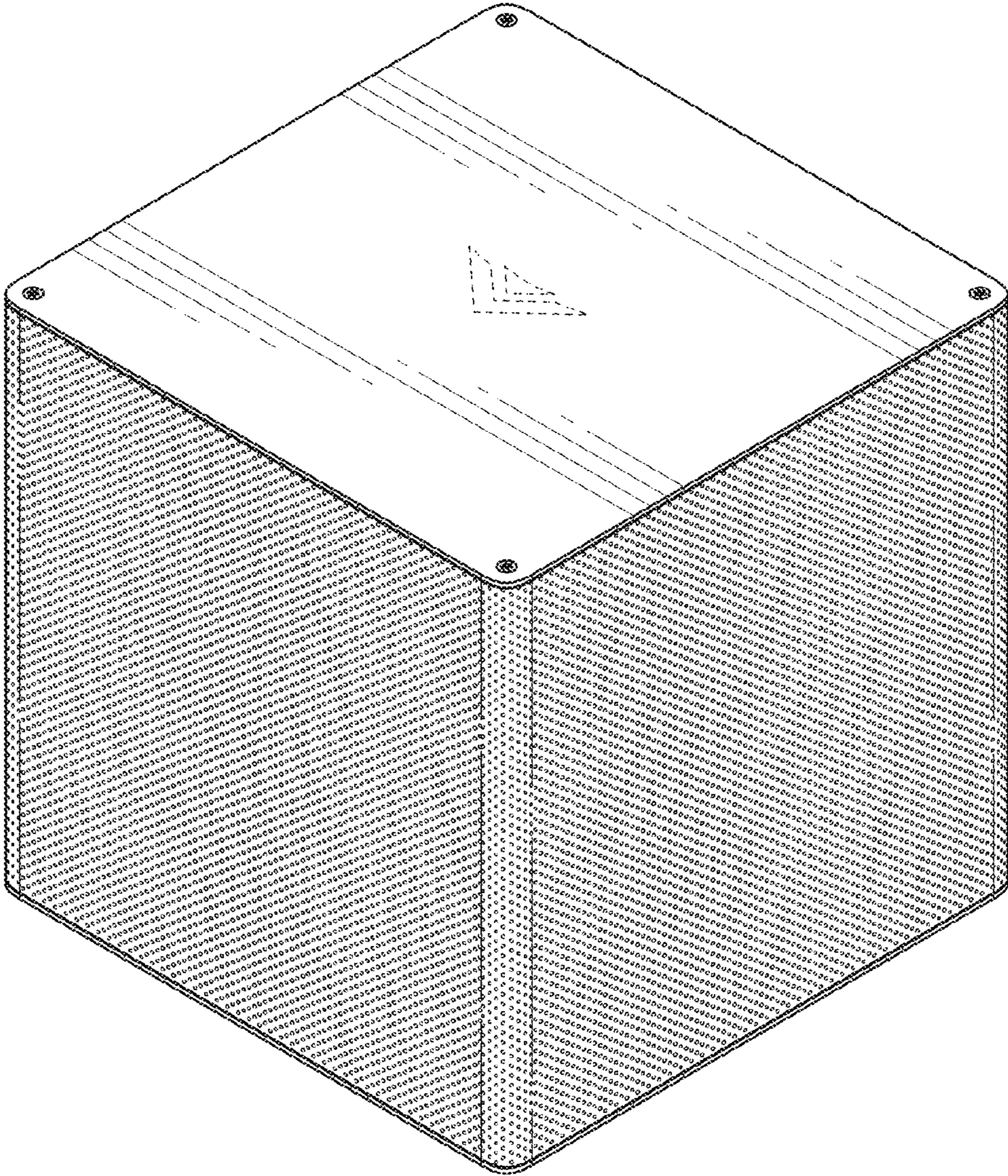


FIG. 1

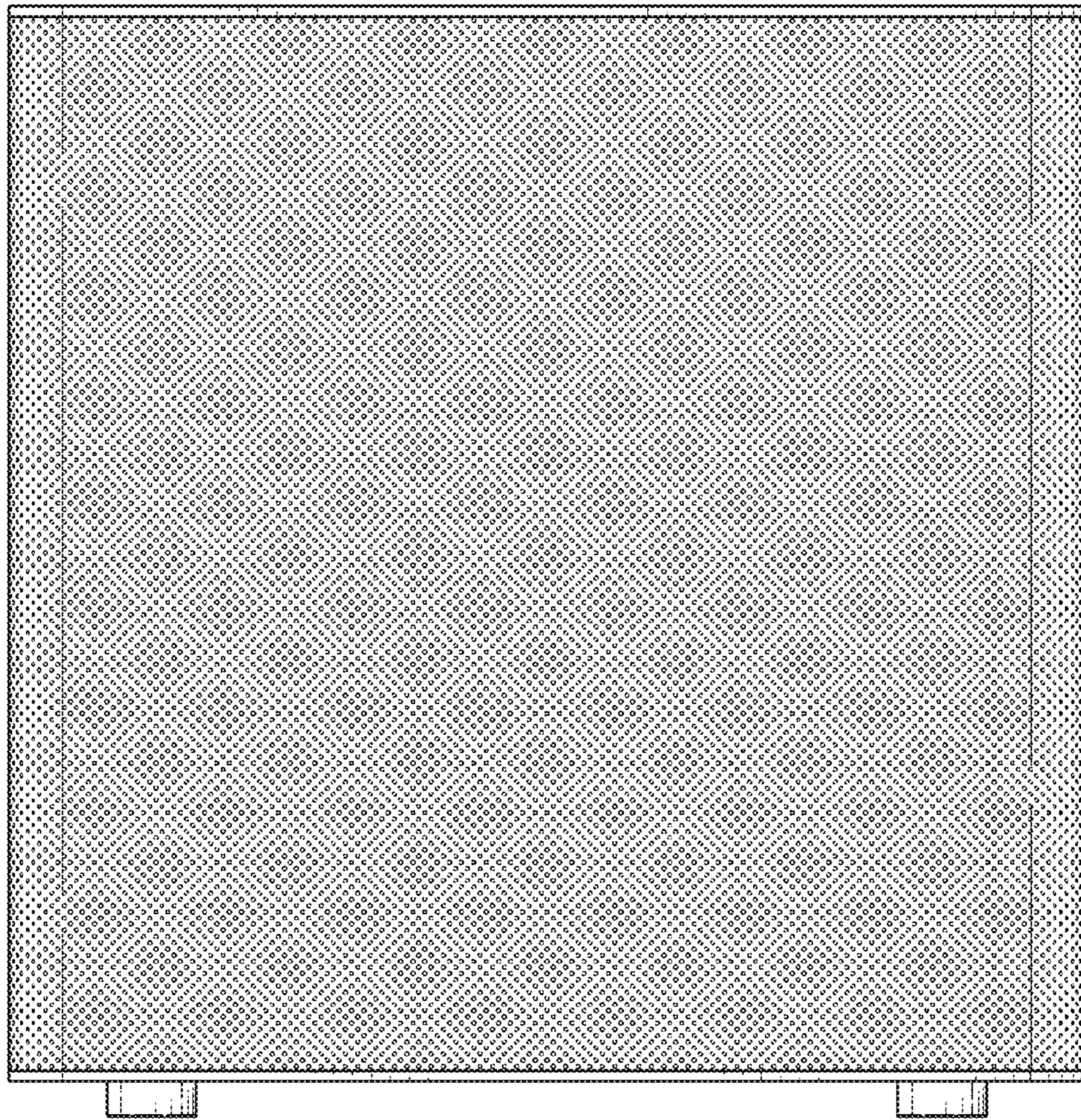


FIG. 2

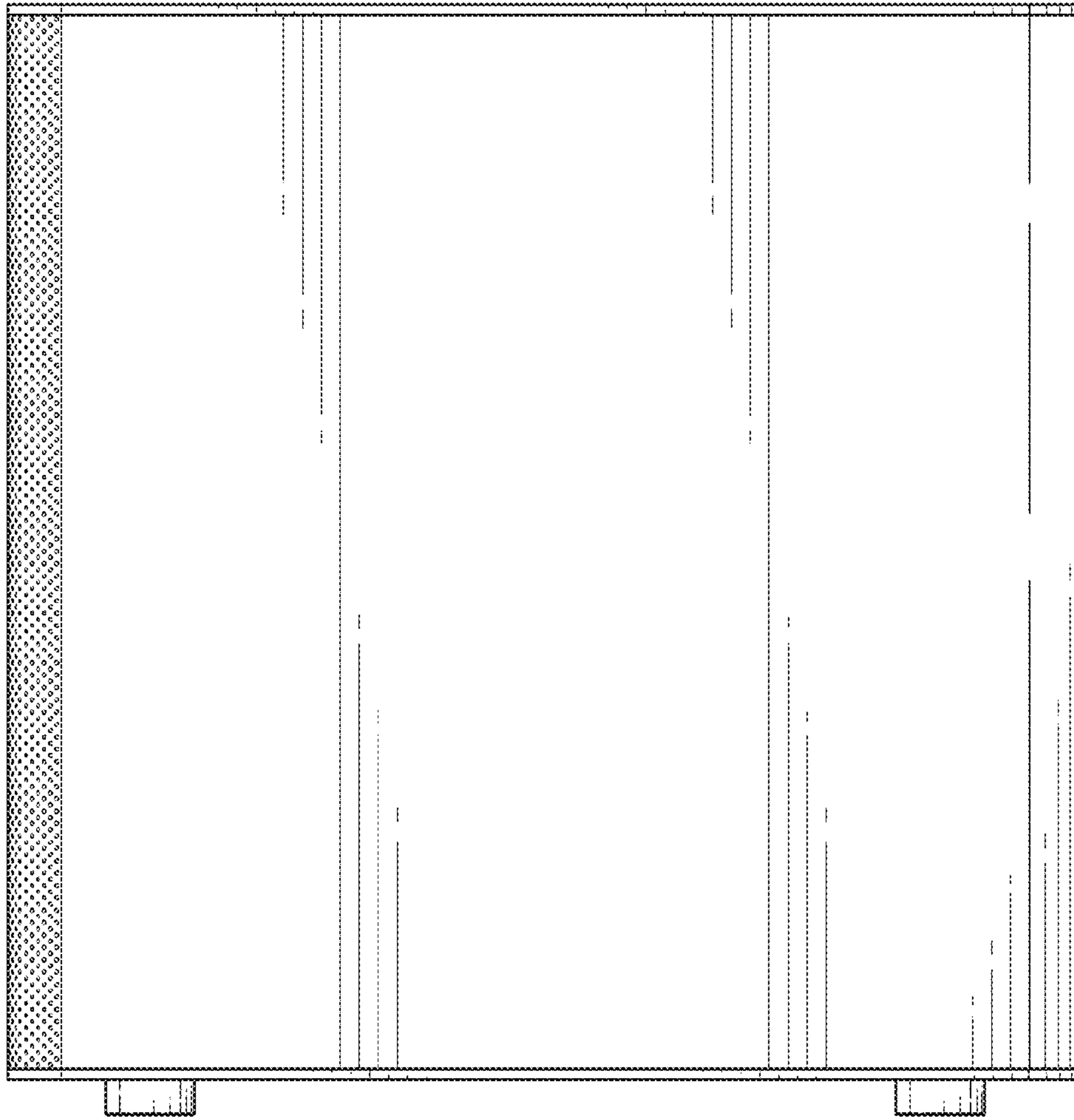


FIG. 3

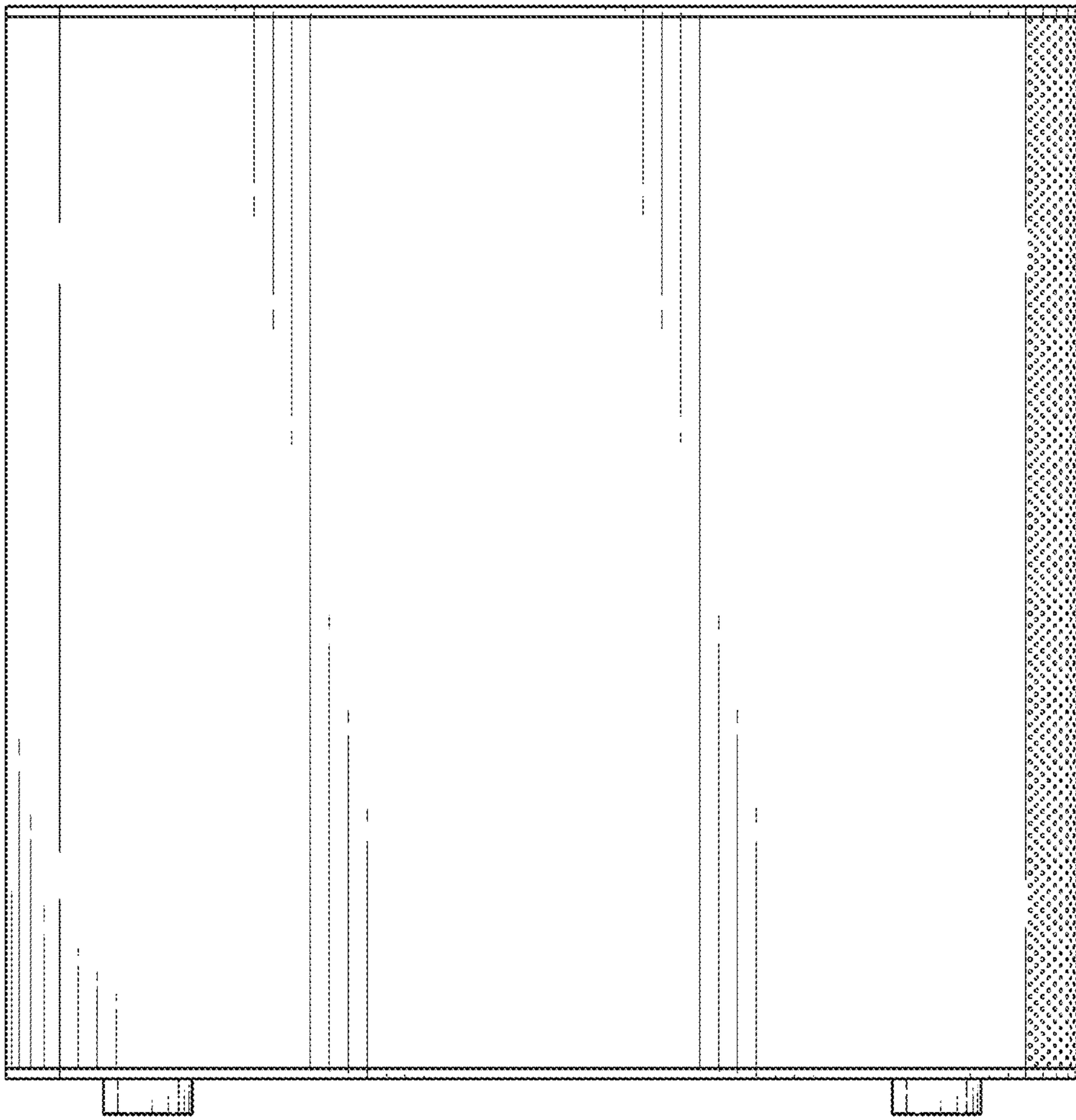


FIG. 4

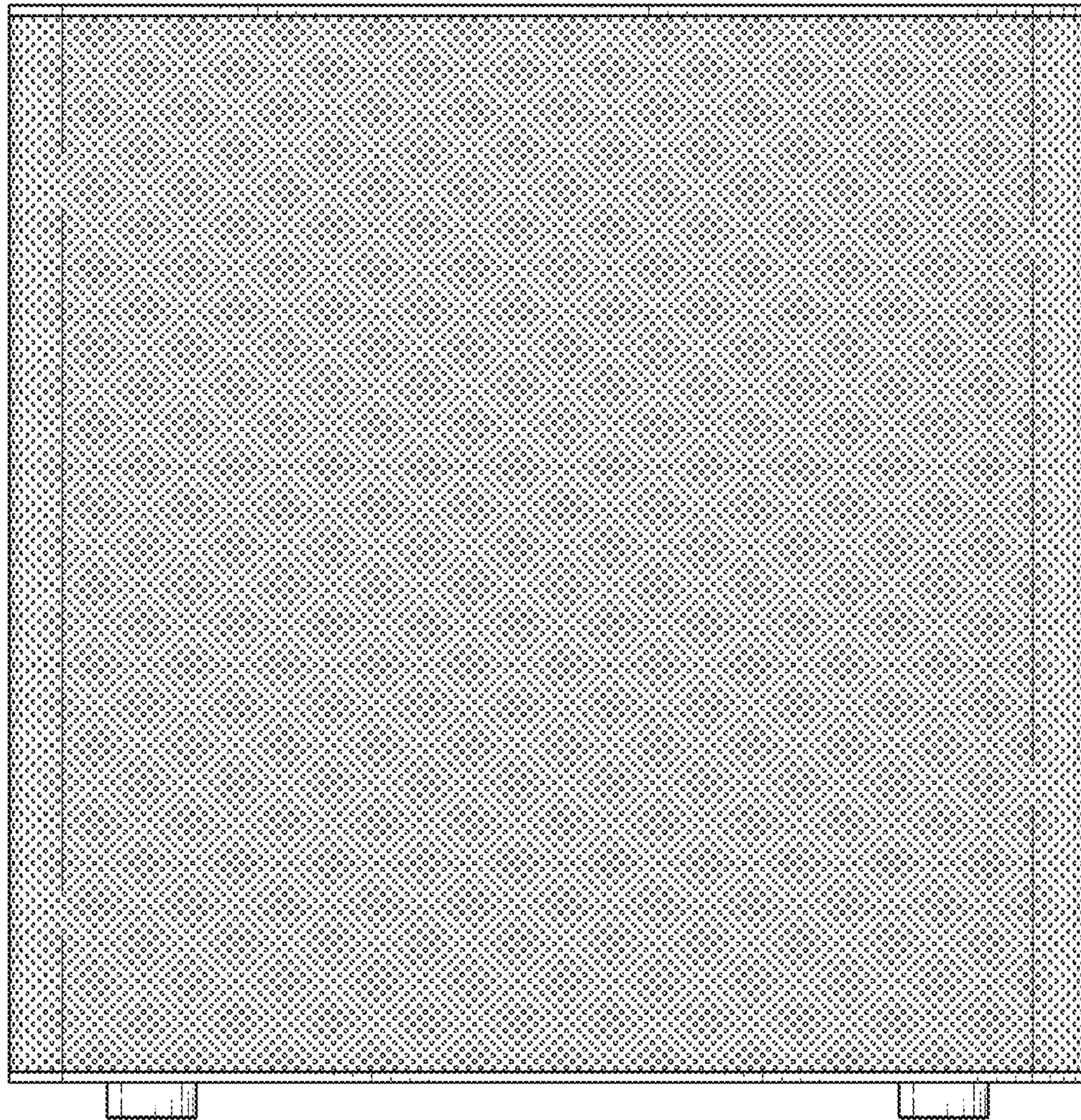


FIG. 5

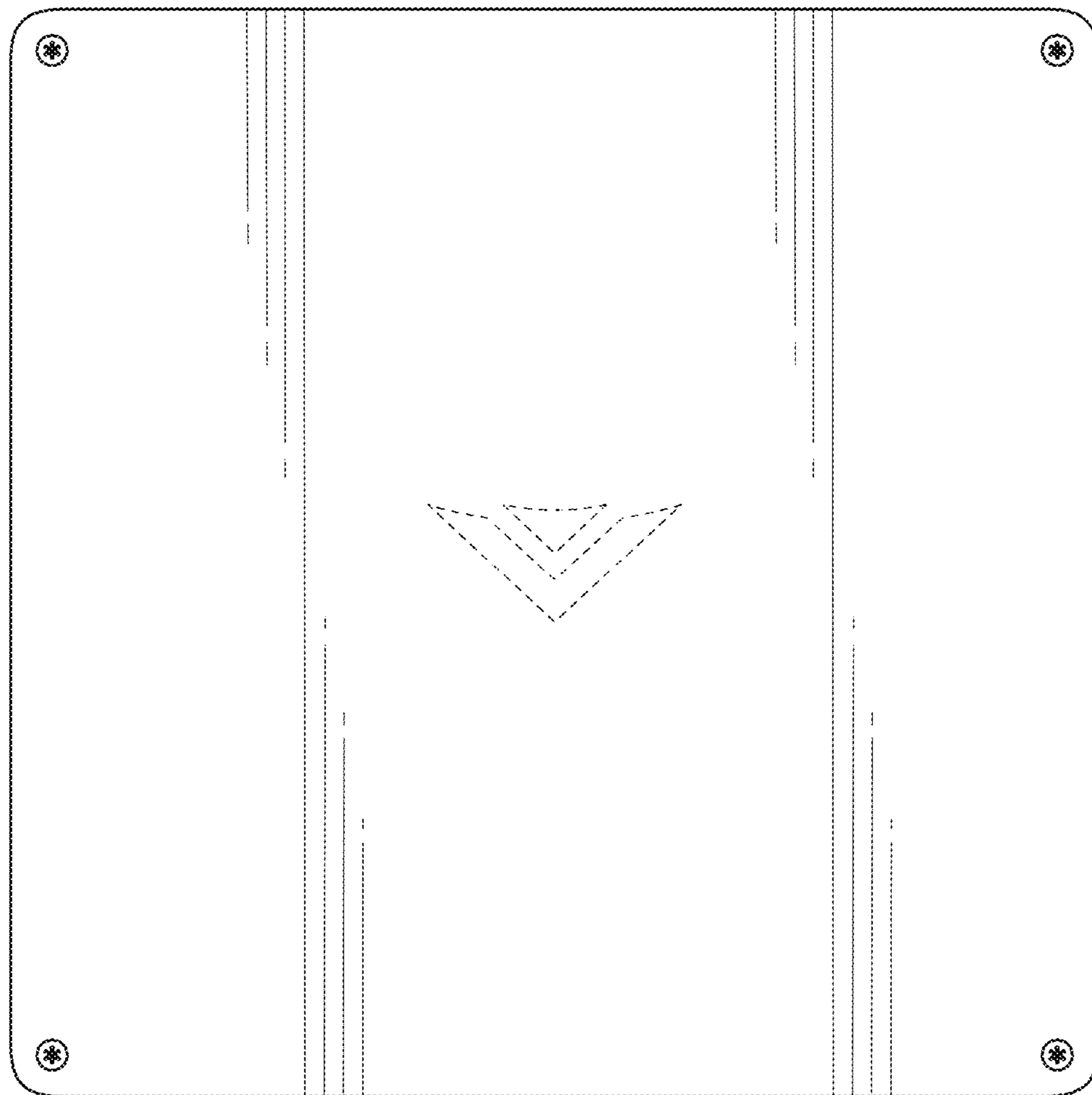


FIG. 6

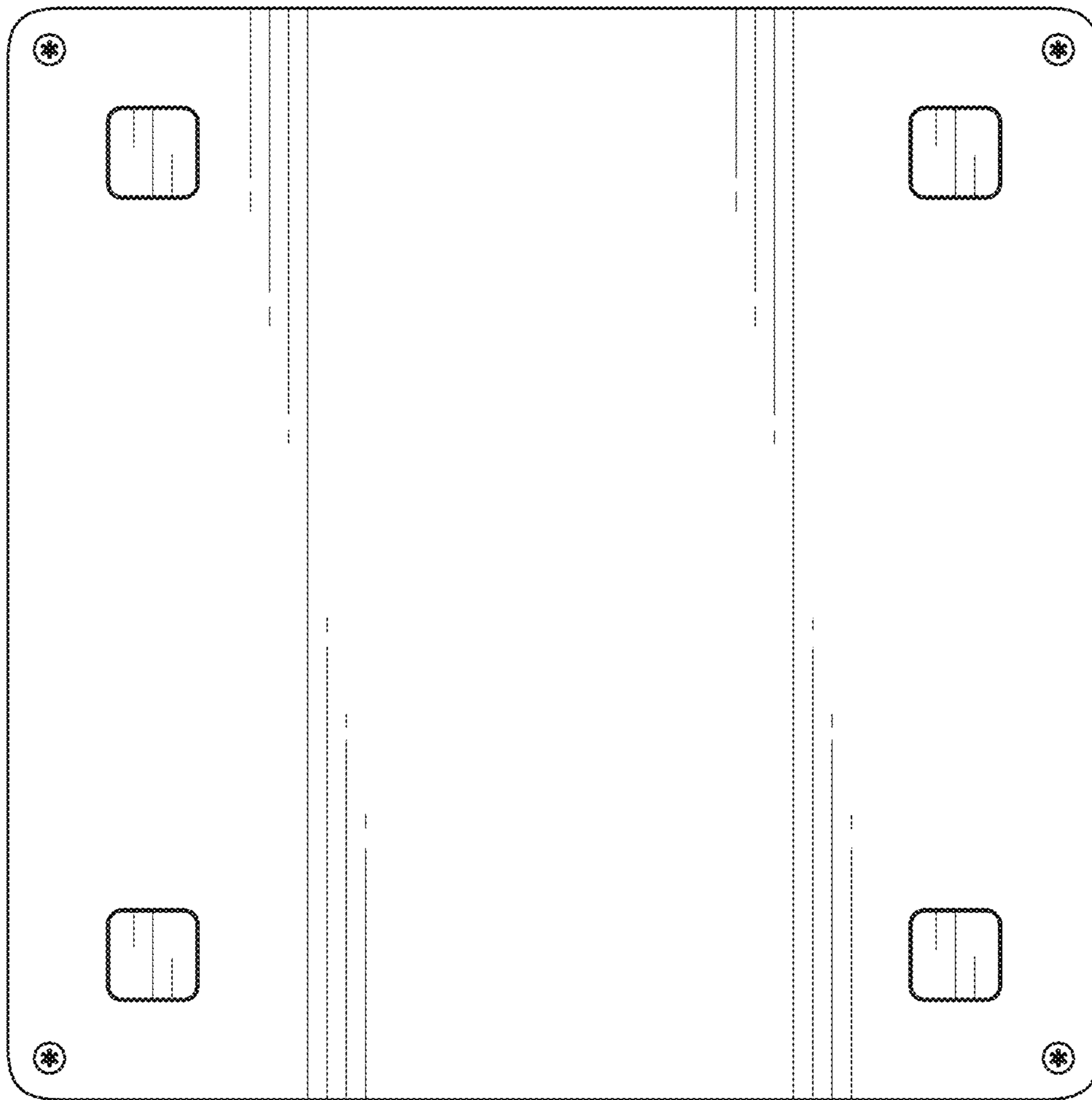


FIG. 7