



US00D754099S

(12) **United States Design Patent**
Sung et al.

(10) **Patent No.:** **US D754,099 S**

(45) **Date of Patent:** **** Apr. 19, 2016**

(54) **SPEAKER**

H04R 2499/15; H04S 3/00; H04S 7/30;
H03F 1/327; G10K 9/22; G10K 11/004

(71) Applicant: **Samsung Electronics Co., Ltd.**,
Suwon-Si, Gyeonggi-Do (KR)

See application file for complete search history.

(72) Inventors: **Whan Oh Sung**, Seoul (KR); **Jooyeon Lee**, Gunpo-si (KR); **Kyu Eun Hwang**, Seoul (KR); **Stella Lee**, Seoul (KR); **Soy Park**, Seongnam-si (KR); **Youngkeun Lee**, Seoul (KR); **Anders Peter Jensen**, Copenhagen (DK)

(56) **References Cited**

U.S. PATENT DOCUMENTS

D253,528	S	*	11/1979	Sun	D11/131
D351,388	S	*	10/1994	Ballard et al.	D14/214
D360,634	S	*	7/1995	Alleva	D14/211
D391,962	S	*	3/1998	Borys	D14/214
D394,860	S	*	6/1998	Kitsmiller et al.	D14/214

(Continued)

(73) Assignee: **Samsung Electronics Co., Ltd.**,
Gyeonggi-do (KR)

Primary Examiner — Keli L Hill

(**) Term: **14 Years**

(74) *Attorney, Agent, or Firm* — Harness, Dickey & Pierce

(21) Appl. No.: **29/495,352**

(57) **CLAIM**

(22) Filed: **Jun. 30, 2014**

We claim, the ornamental design for a speaker, as shown and described.

(30) **Foreign Application Priority Data**

DESCRIPTION

Jan. 14, 2014 (KR) 30-2014-0002162

(51) **LOC (10) Cl.** **14-03**

(52) **U.S. Cl.**
USPC **D14/214**; D14/209.1; D14/213

(58) **Field of Classification Search**
USPC D14/167, 168, 170–172, 188, 194–196,
D14/204, 207, 209.1, 210–216, 219, 221,
D14/222, 224, 496; 181/143, 144, 147, 148,
181/150, 153, 157, 198, 199; 381/300–303,
381/306, 332, 333, 336, 345, 361–364,
381/386–388; 369/6–12

CPC B60R 11/0217; G06F 1/1688; H04M 1/03;
H04M 1/035; H04R 1/02; H04R 1/06; H04R
1/021; H04R 1/025; H04R 1/026; H04R
1/028; H04R 1/105; H04R 1/323; H04R
1/403; H04R 1/2803; H04R 1/2834; H04R
5/02; H04R 7/20; H04R 9/06; H04R 9/025;
H04R 2201/021; H04R 2400/00; H04R
2400/07; H04R 2499/11; H04R 2499/13;

FIG. 1 is the front perspective view of a speaker showing our new design;

FIG. 2 is the front view thereof;

FIG. 3 is the rear view thereof;

FIG. 4 is the left-side view thereof;

FIG. 5 is the right-side view thereof;

FIG. 6 is the top-side plan view thereof;

FIG. 7 is the bottom-side plan view thereof;

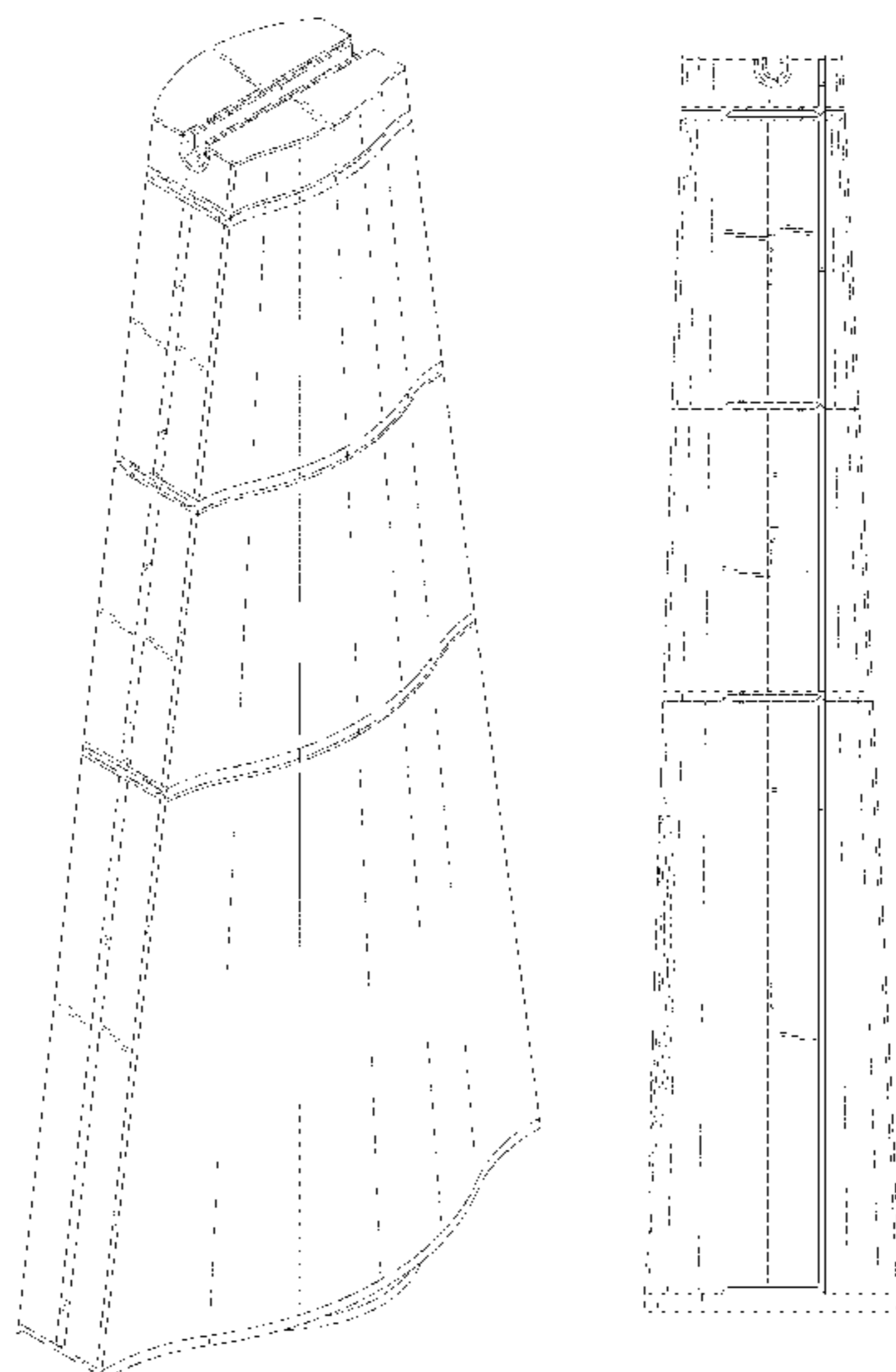
FIG. 8 is the front perspective view of the top part of the speaker in use environment;

FIG. 9 is the front view thereof in another arrangement; and,

FIG. 10 is the front view of the two parts in another arrangement.

The dot-dot-dash broken lines seen in FIGS. 3-6 represent the bounds of the claimed design while all other broken lines are included for the purpose of illustrating portions of the speaker; the broken lines form no part of the claimed design.

1 Claim, 10 Drawing Sheets



(56)

References Cited

U.S. PATENT DOCUMENTS

D452,929 S * 1/2002 Perelli D27/107
D462,342 S * 9/2002 Polito et al. D14/224
D471,888 S * 3/2003 Solland D14/204
D546,238 S * 7/2007 Roth et al. D11/118

D575,770 S * 8/2008 Lewis D14/216
D580,913 S * 11/2008 Omori et al. D14/215
D595,263 S * 6/2009 Jiang D14/207
D608,349 S * 1/2010 Wang et al. D14/216
D639,774 S * 6/2011 Rader et al. D14/204

* cited by examiner

FIG. 1

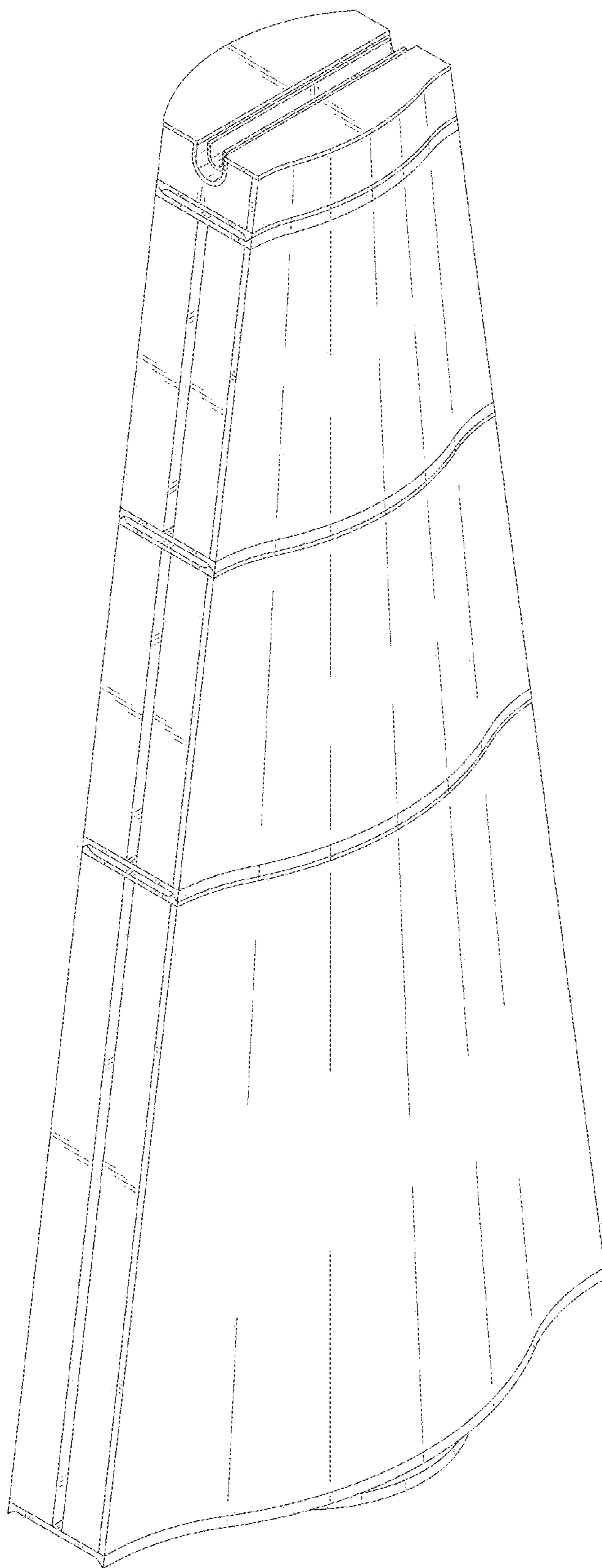


FIG. 2

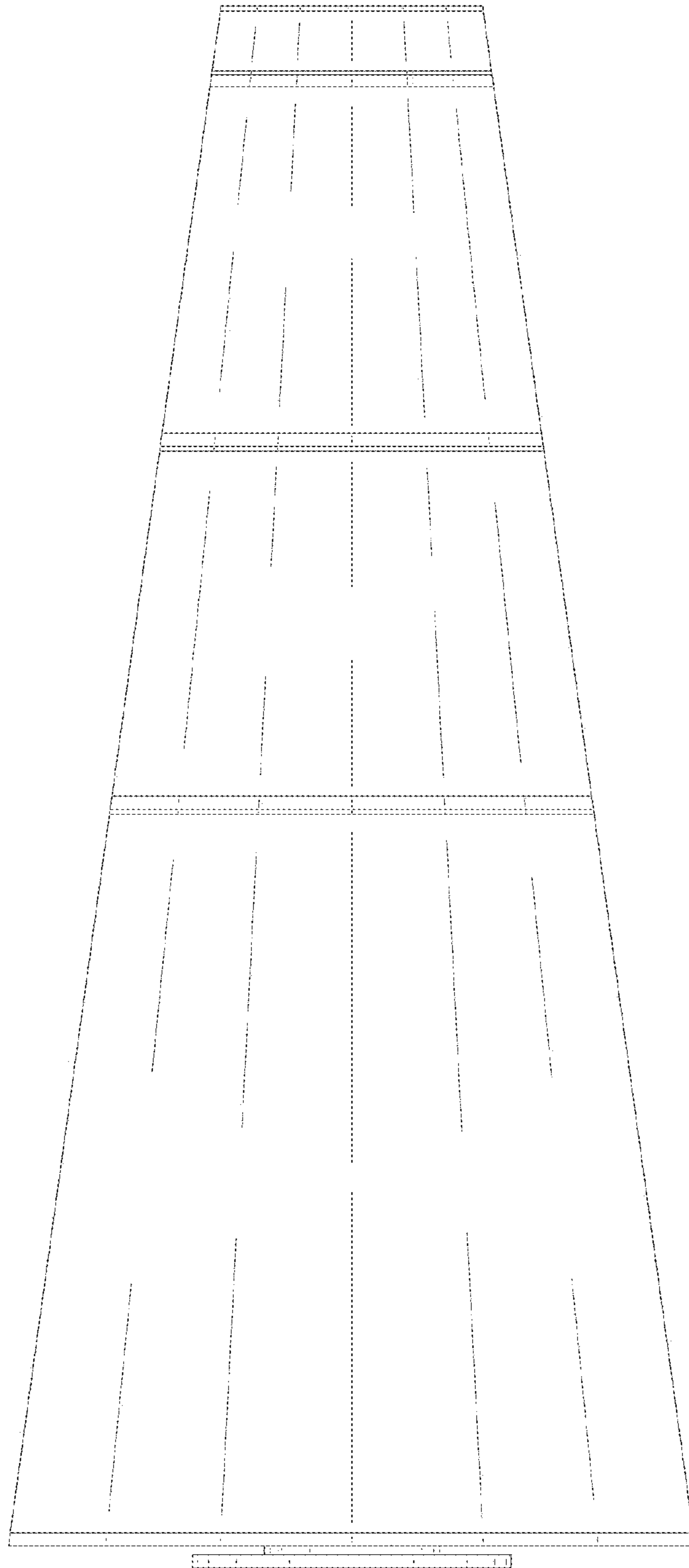


FIG. 3

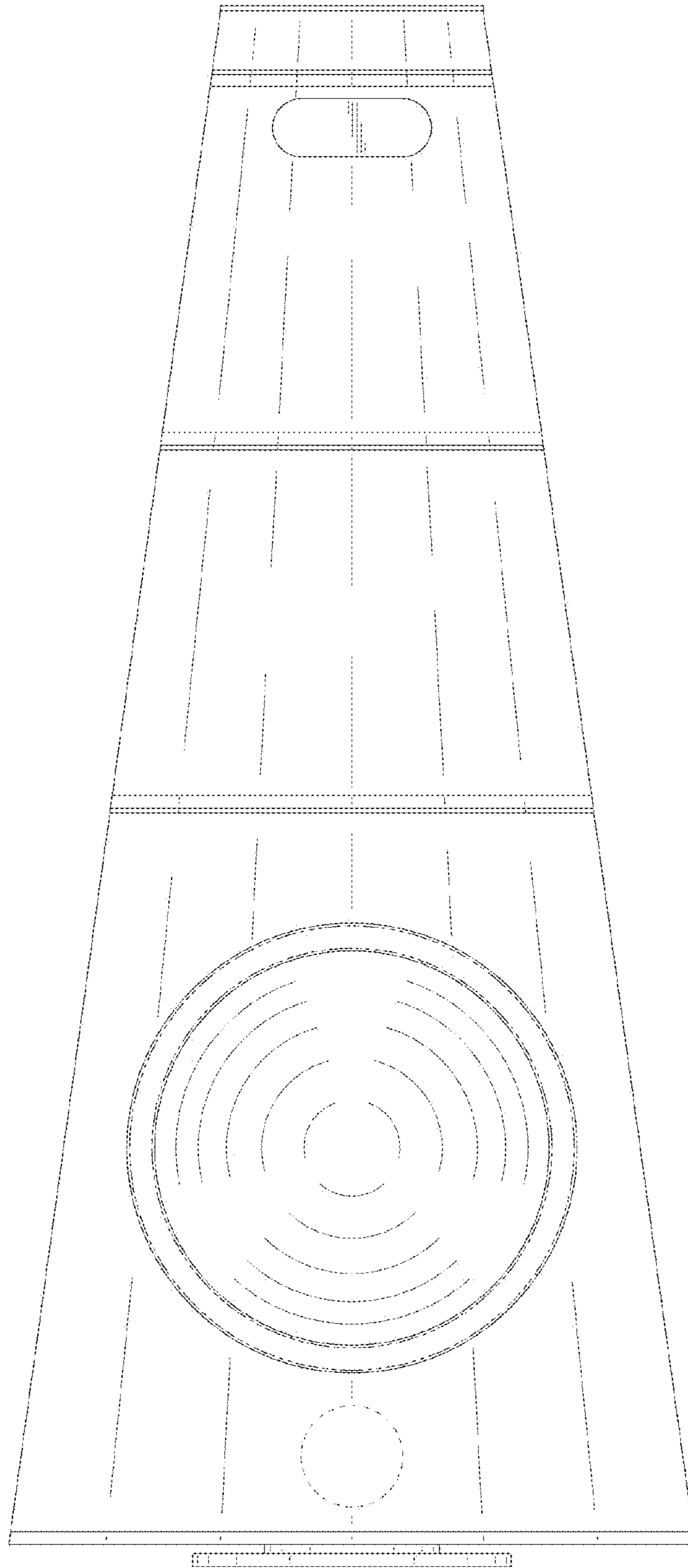


FIG. 4

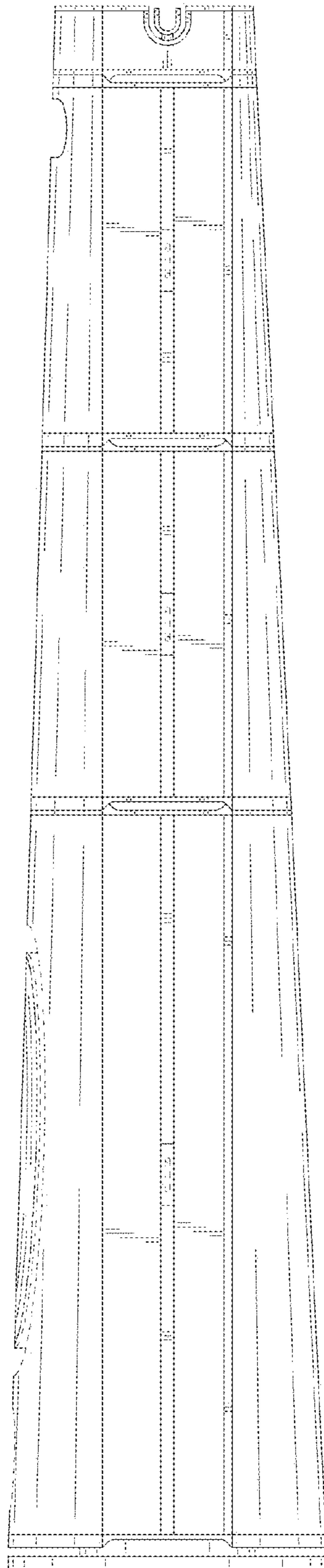


FIG. 5

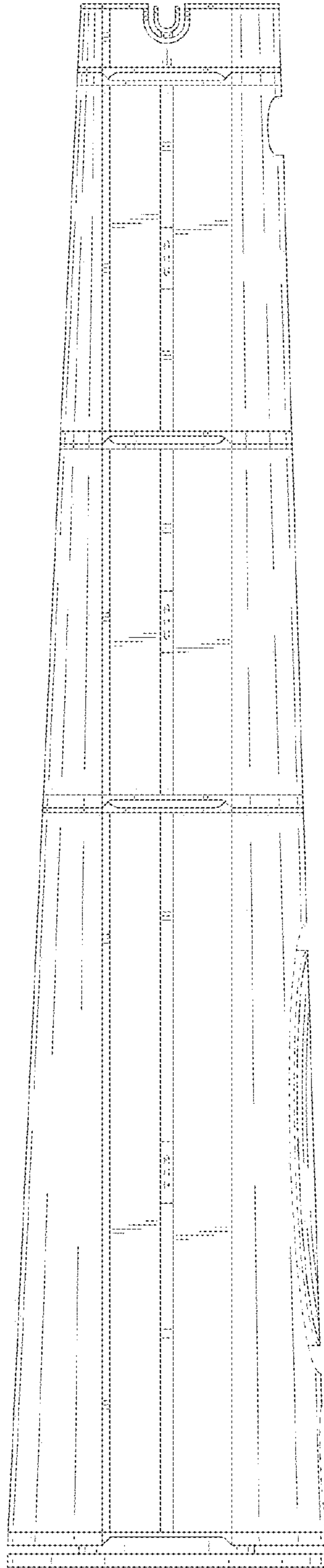


FIG. 6

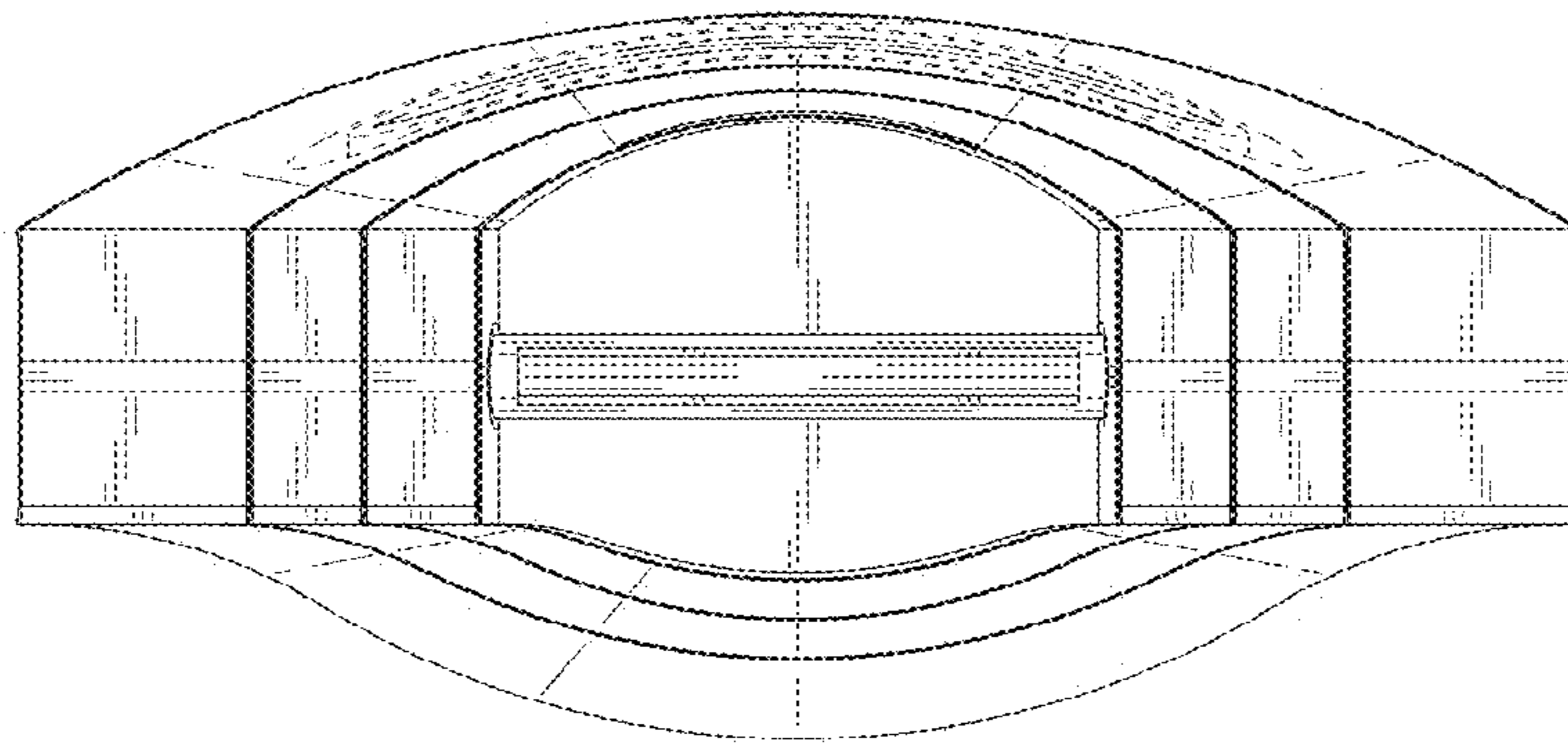


FIG. 7

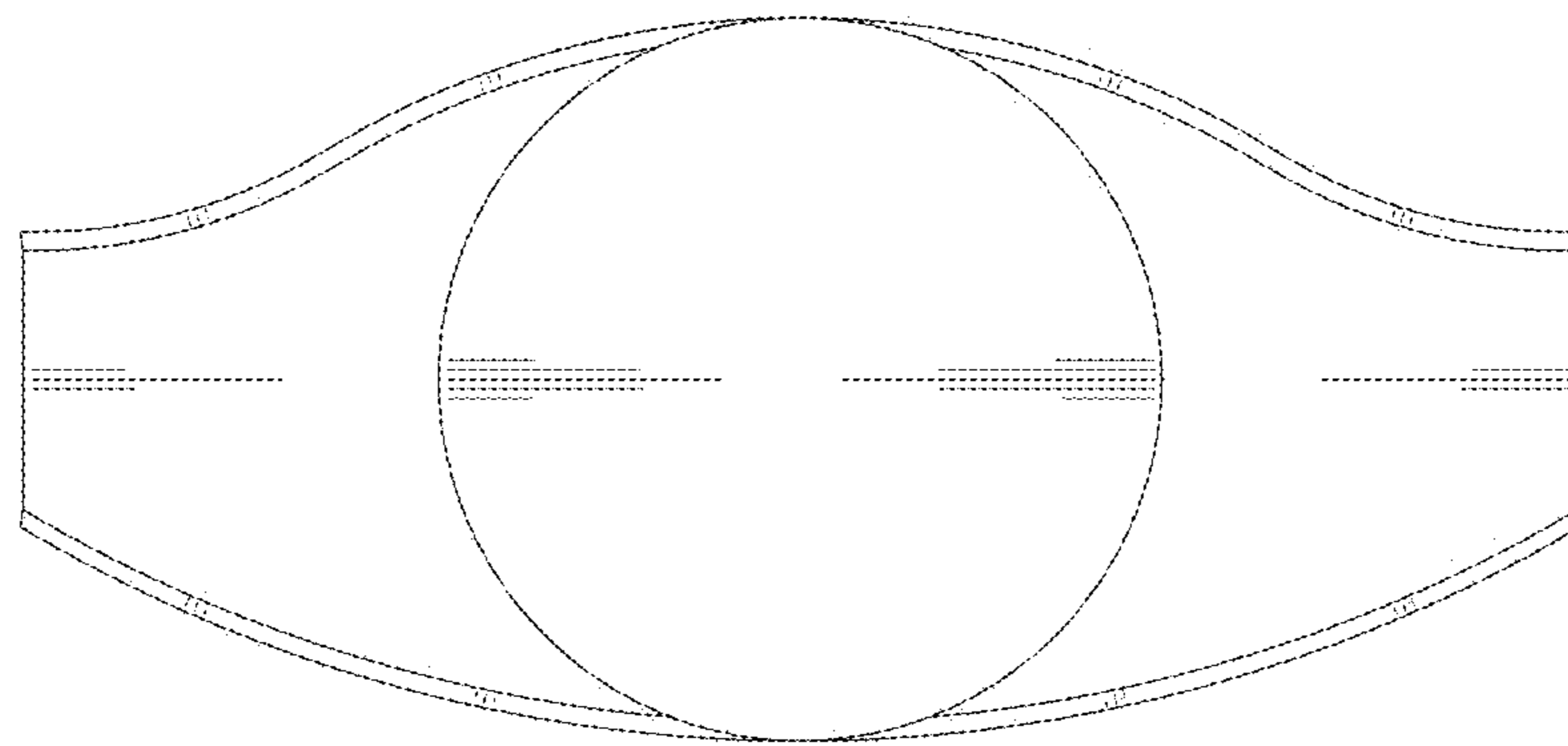


FIG. 8

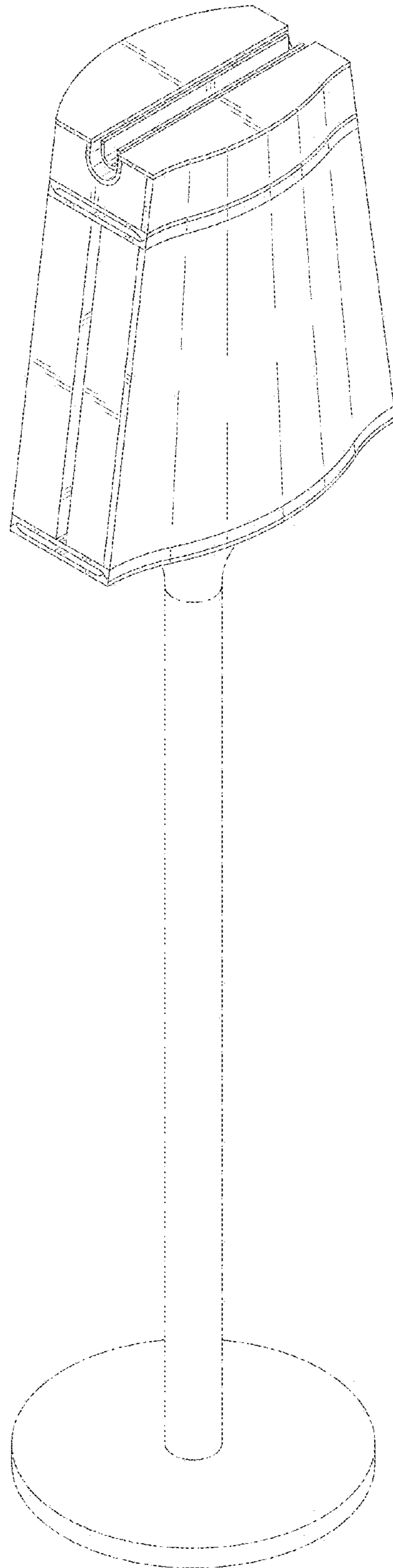


FIG. 9

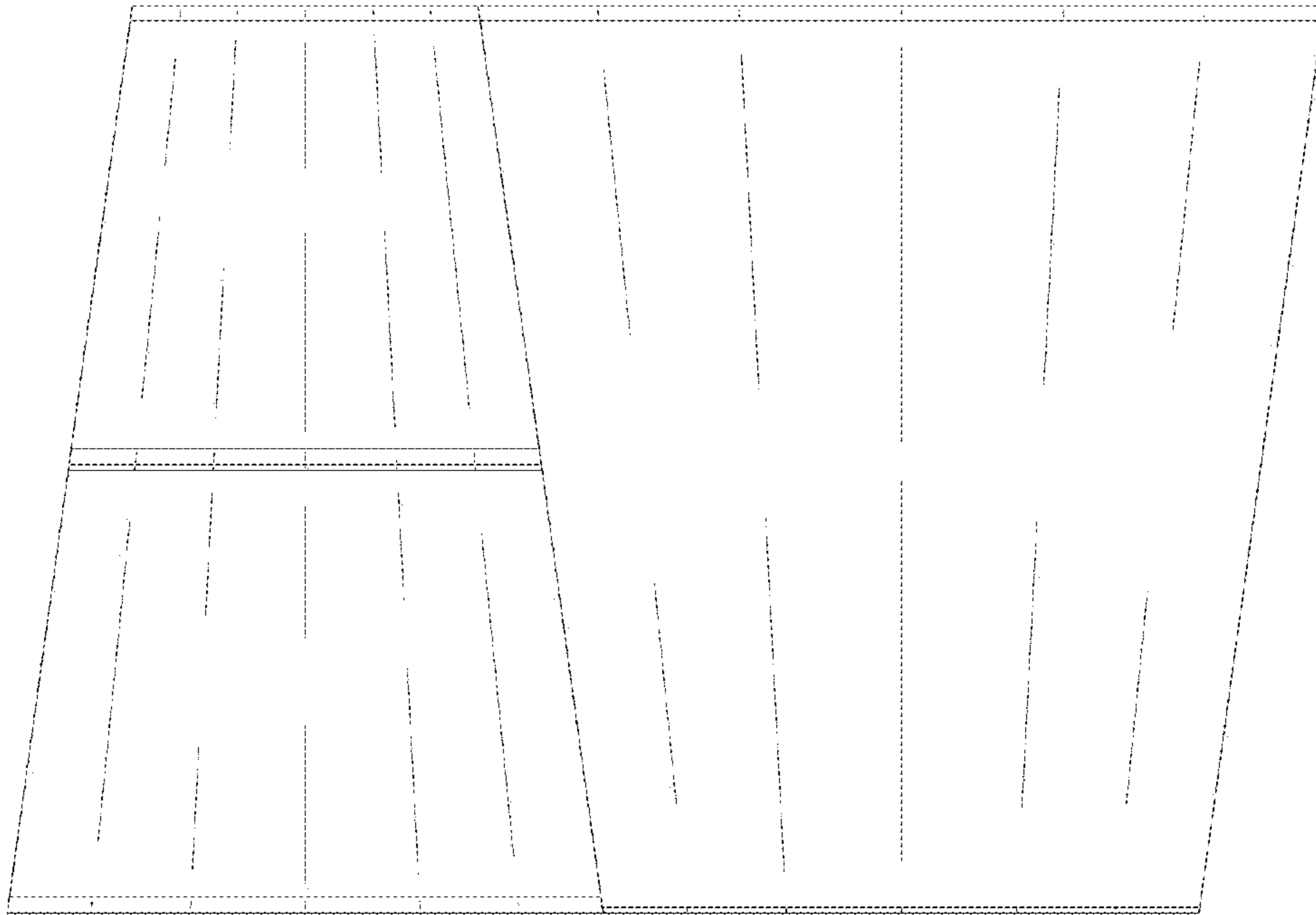


FIG. 10

