



US00D754098S

(12) **United States Design Patent**
Teramoto et al.

(10) **Patent No.:** **US D754,098 S**
(45) **Date of Patent:** **** Apr. 19, 2016**

(54) **SPEAKER**
(71) Applicant: **DIASOUL Corporation**, Osaka (JP)
(72) Inventors: **Kohei Teramoto**, Osaka (JP); **Takanori Hikima**, Tokyo (JP)
(73) Assignee: **DIASOUL Corporation**, Osaka (JP)
(**) Term: **14 Years**
(21) Appl. No.: **29/521,486**
(22) Filed: **Mar. 24, 2015**

4,924,964 A * 5/1990 Olsen H04R 1/288
181/146
D327,067 S * 6/1992 Kohan D14/215
D394,860 S * 6/1998 Kitsmiller D14/211
D447,471 S * 9/2001 Andre D14/215
D465,212 S 11/2002 Lytel
D471,888 S * 3/2003 Solland D14/204
D473,858 S 4/2003 Solland
D518,025 S * 3/2006 Omori D14/211
D572,236 S * 7/2008 Oxford D14/211
D595,263 S * 6/2009 Jiang D14/204
D600,234 S * 9/2009 Suzuki D14/214
D713,819 S * 9/2014 Millen D14/211
D736,739 S * 8/2015 Son D14/204

(30) **Foreign Application Priority Data**

Sep. 25, 2014 (JP) 2014-021267

(51) **LOC (10) Cl.** **14-03**

(52) **U.S. Cl.**
USPC **D14/213**; D14/215

(58) **Field of Classification Search**

USPC D14/167, 168, 170-172, 188, 194-196,
D14/204, 207, 209.1, 210-216, 219, 221,
D14/222, 224, 496; 181/143, 144, 147, 148,
181/150, 153, 157, 198, 199; 381/300-303,
381/306, 332, 333, 336, 345, 361-364,
381/386-388; 369/6-12
CPC B60R 11/0217; G06F 1/1688; H04M 1/03;
H04M 1/035; H04R 1/02; H04R 1/06; H04R
1/021; H04R 1/025; H04R 1/026; H04R
1/028; H04R 1/105; H04R 1/323; H04R
1/403; H04R 1/2803; H04R 1/2834; H04R
5/02; H04R 7/20; H04R 9/06; H04R 9/025;
H04R 2201/021; H04R 2400/00; H04R
2400/07; H04R 2499/11; H04R 2499/13;
H04R 2499/15; H04S 3/00; H04S 7/30
See application file for complete search history.

(56) **References Cited**

U.S. PATENT DOCUMENTS

D262,793 S * 1/1982 Hathaway D14/215

FOREIGN PATENT DOCUMENTS

TW D103146 2/2005
TW D126444 12/2008

OTHER PUBLICATIONS

Notice of Allowance and Search Report issued Sep. 18, 2015 in corresponding Taiwan patent application.

* cited by examiner

Primary Examiner — Keli L Hill

(74) *Attorney, Agent, or Firm* — Hamre, Schumann, Mueller & Larson, P.C.

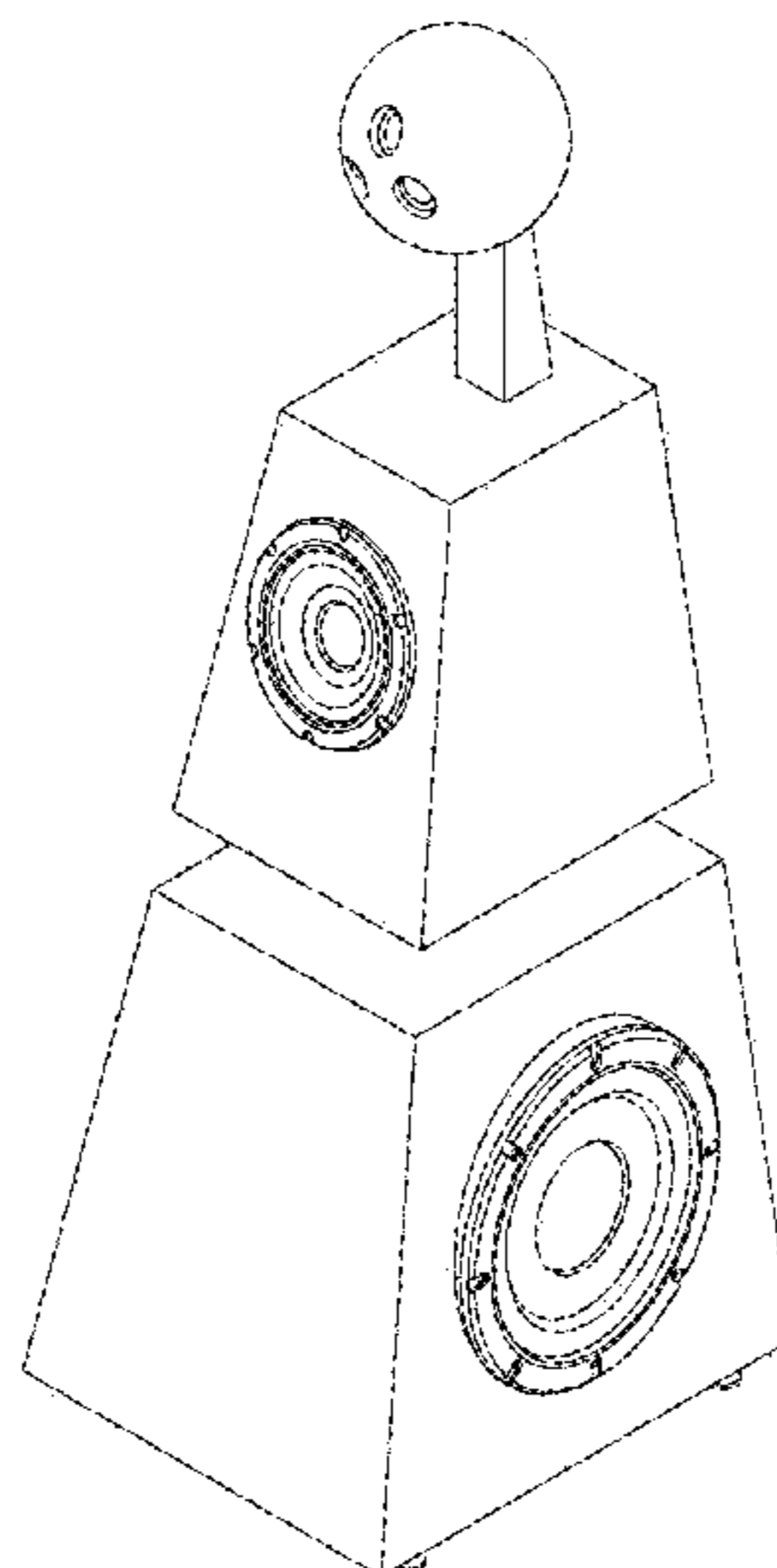
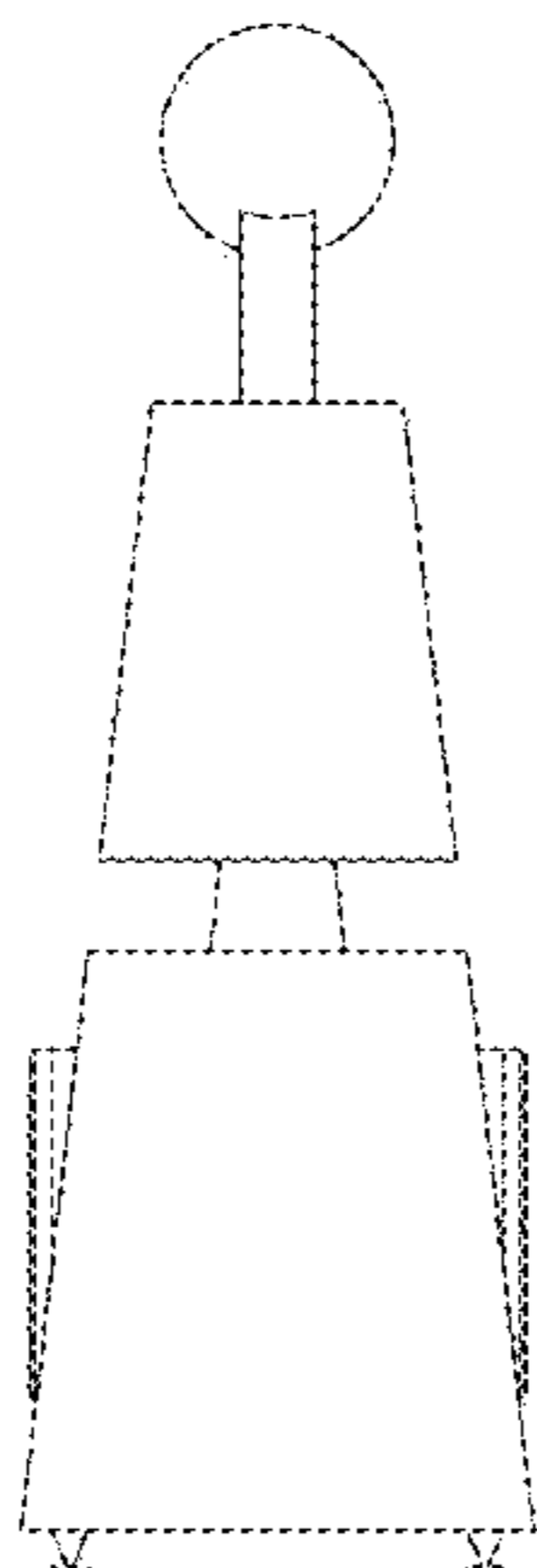
(57) **CLAIM**

The ornamental design of a speaker, as shown and described.

DESCRIPTION

FIG. 1 is a front view of a new design for a speaker.
FIG. 2 is a rear view thereof.
FIG. 3 is a left side view thereof
FIG. 4 is a right side view thereof.
FIG. 5 is a top view thereof.
FIG. 6 is a bottom view thereof; and,
FIG. 7 is a perspective view thereof.

1 Claim, 7 Drawing Sheets



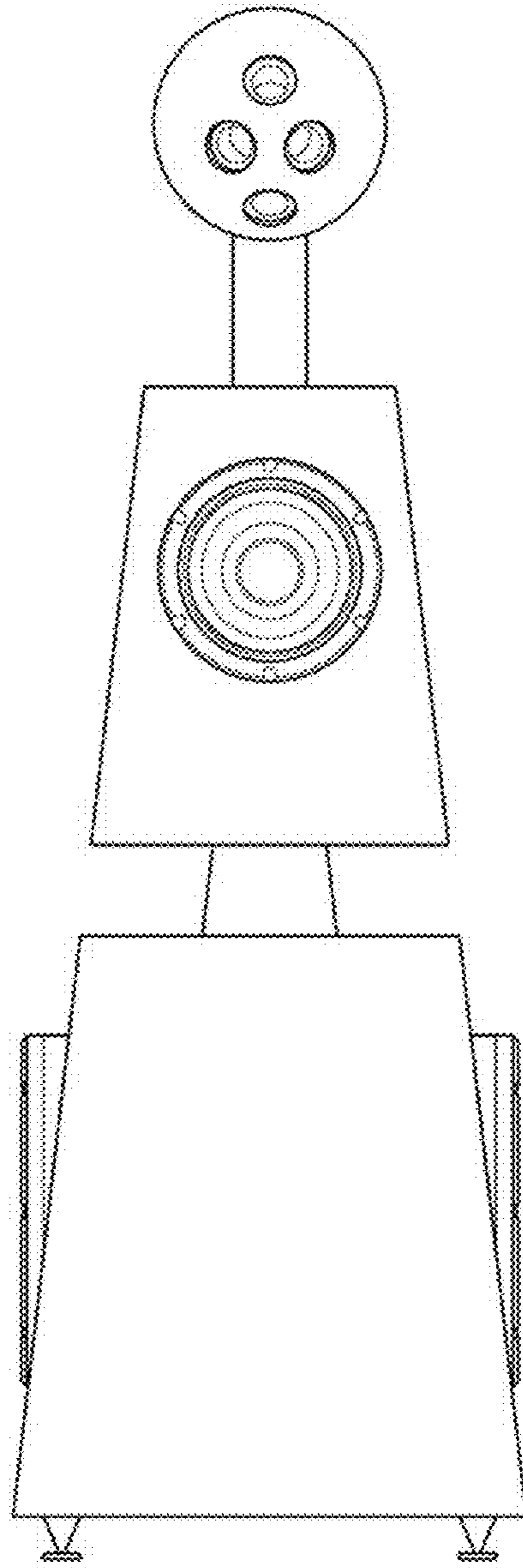


FIG. 1

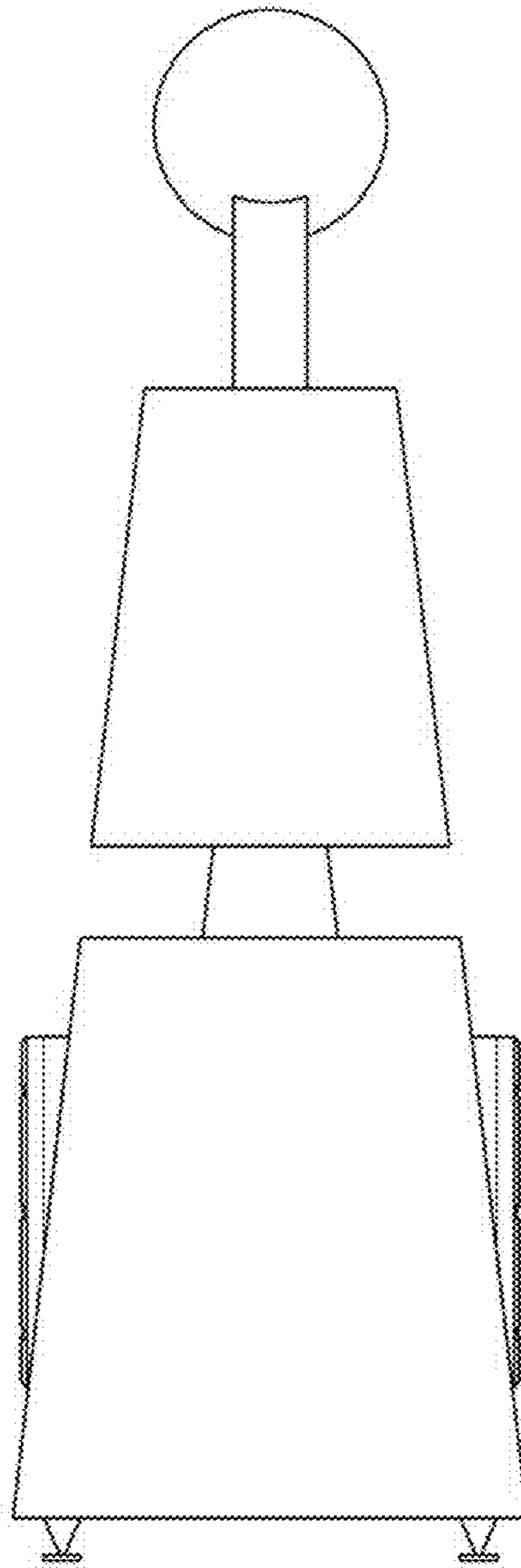


FIG. 2

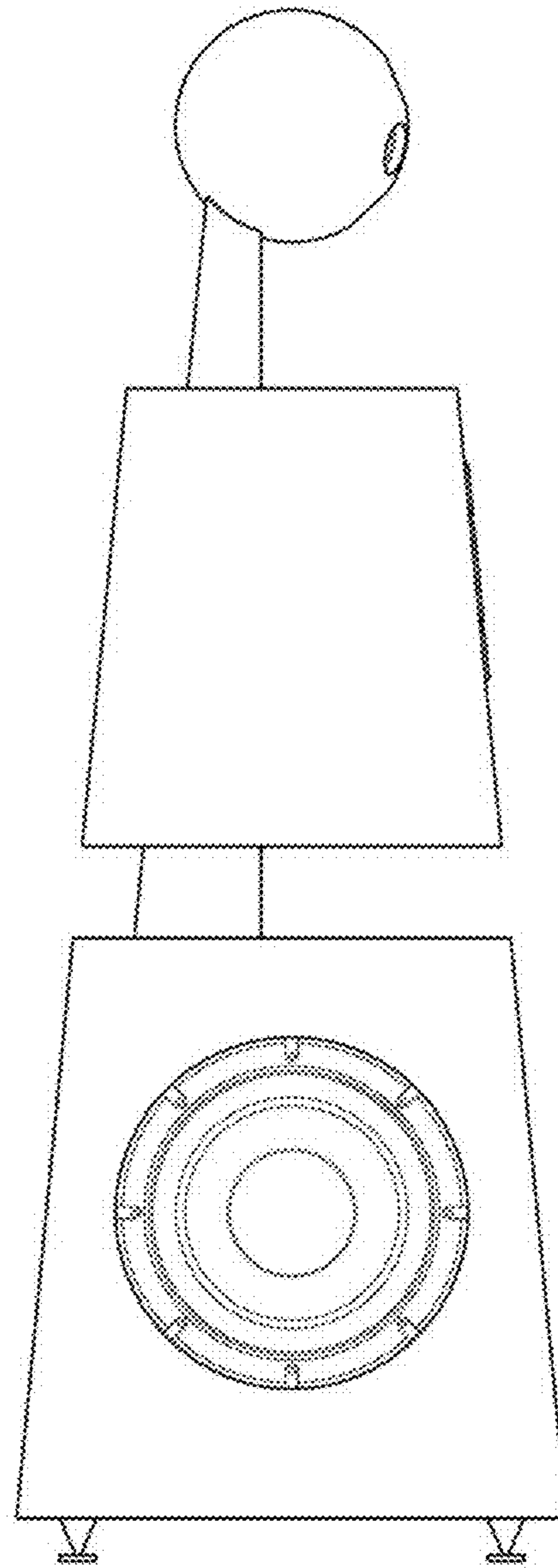


FIG. 3

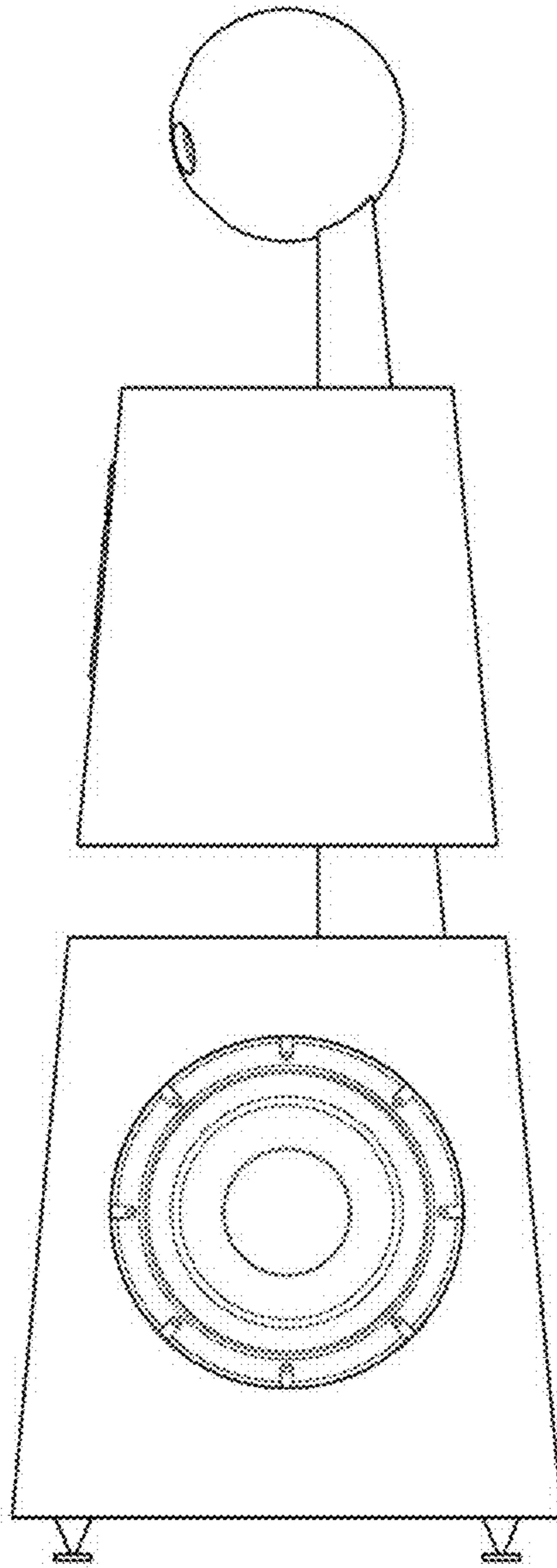


FIG. 4

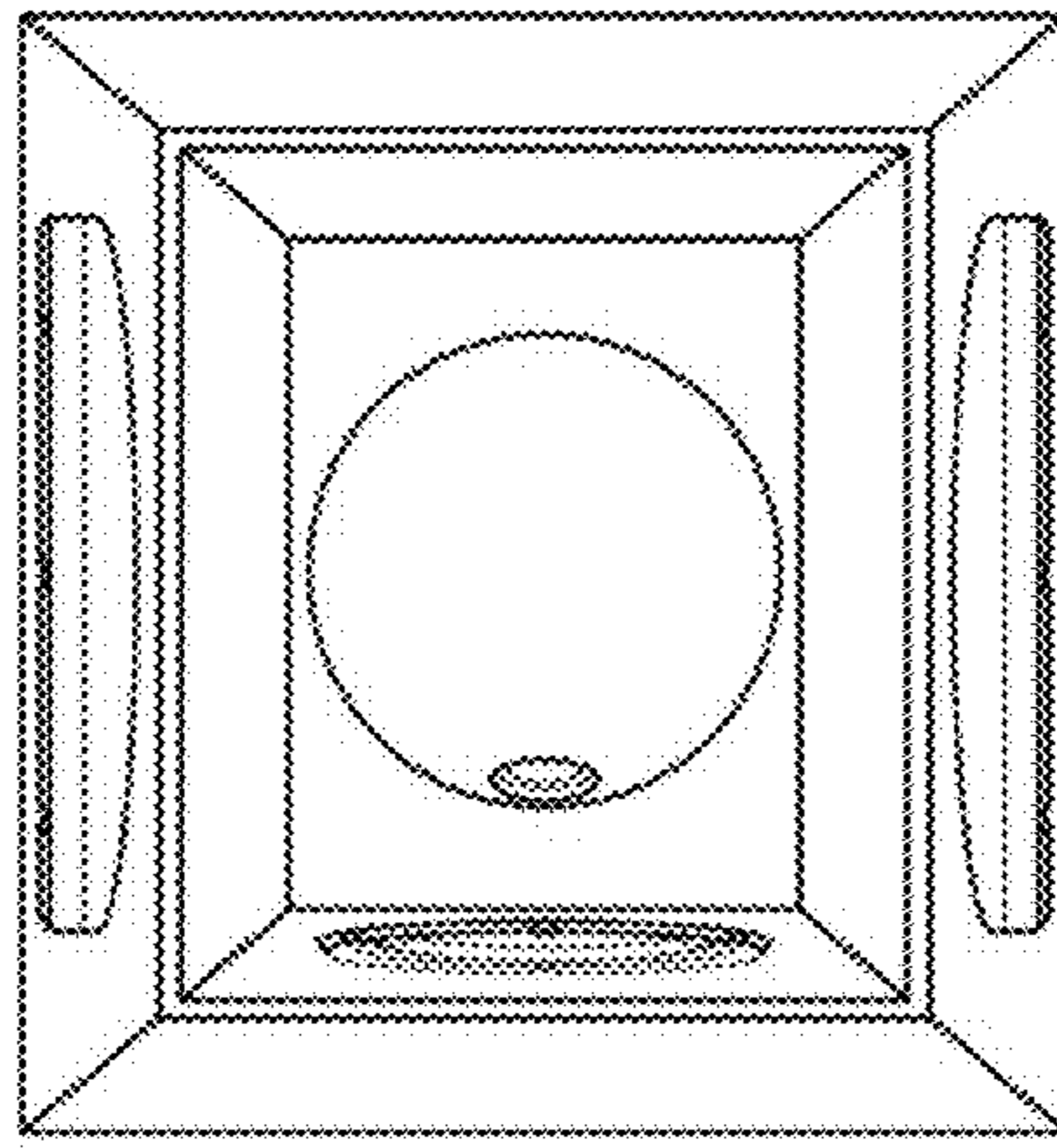


FIG. 5

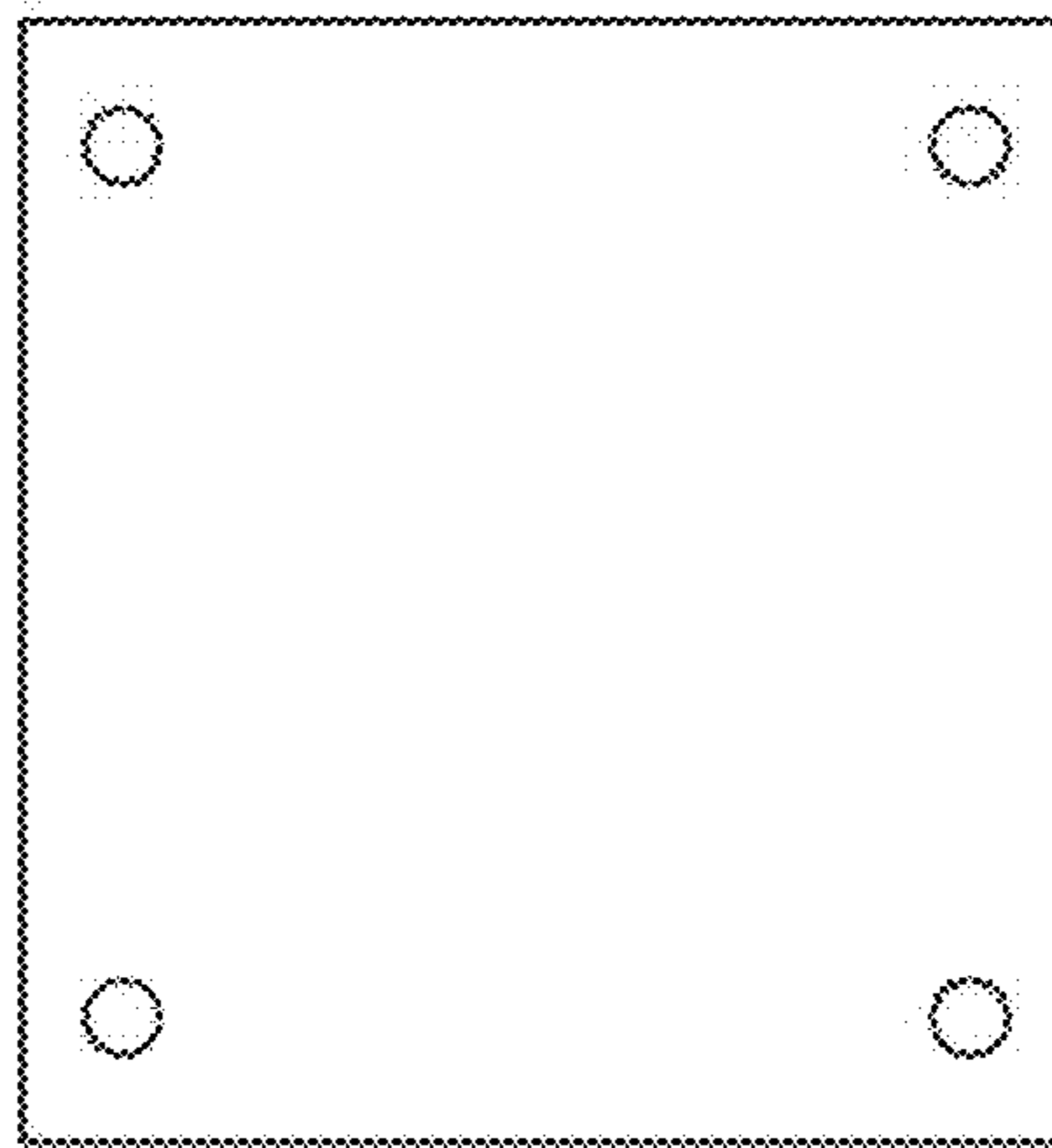


FIG. 6

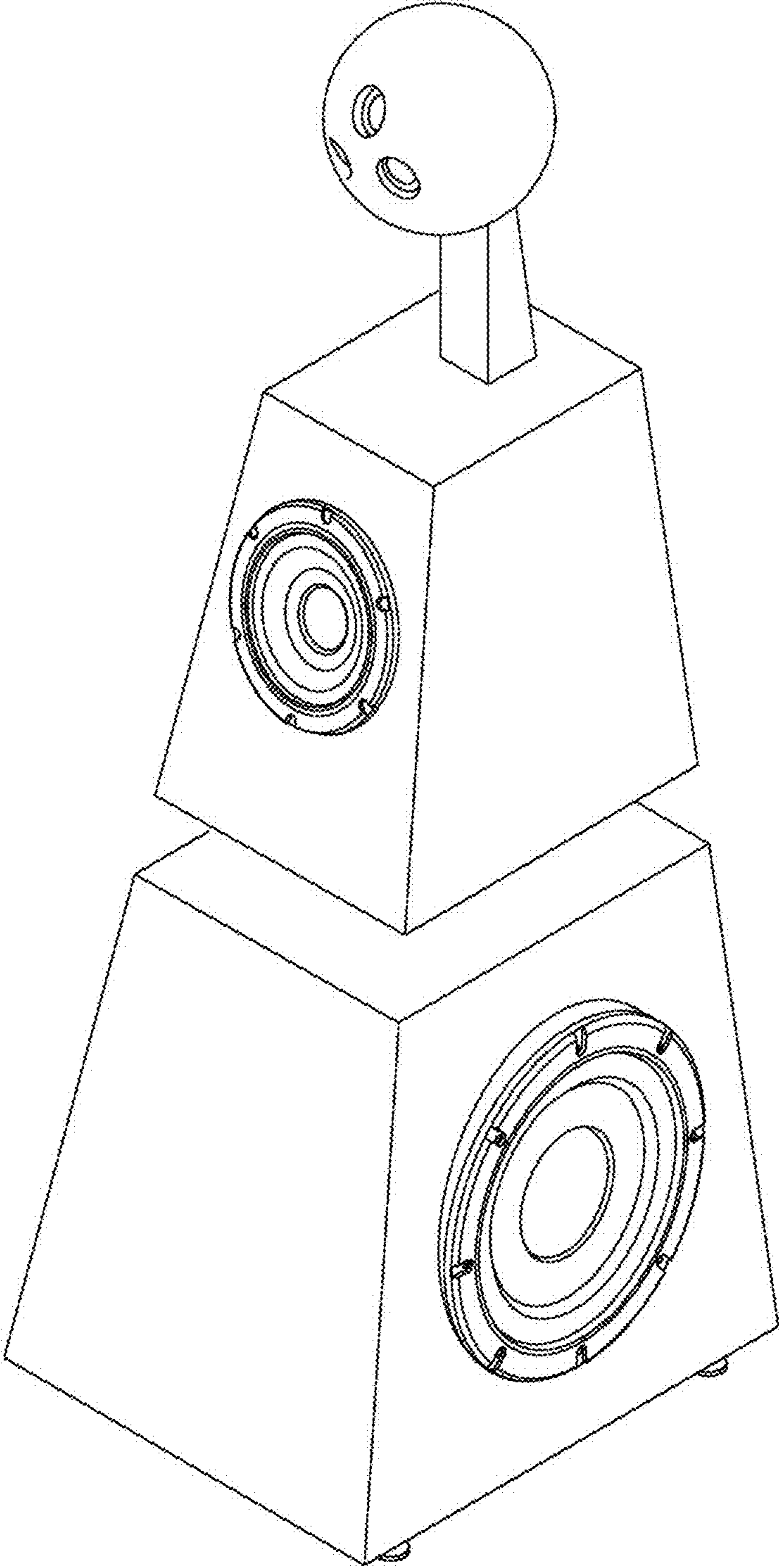


FIG. 7