



US00D754097S

(12) **United States Design Patent**
Pineau

(10) **Patent No.:** **US D754,097 S**
(45) **Date of Patent:** **** Apr. 19, 2016**

(54) **SPEAKER BOX**

(71) Applicant: **FOCAL JMLAB**, La Talaudiere (FR)

(72) Inventor: **Alain Pineau**, Vitry-sur-Seine (FR)

(73) Assignee: **FOCAL JMLAB**, La Talaudiere (FR)

(**) Term: **14 Years**

(21) Appl. No.: **29/489,759**

(22) Filed: **May 2, 2014**

(30) **Foreign Application Priority Data**

Dec. 11, 2013 (EM) 2367920-0001

(51) **LOC (10) Cl.** **14-01**

(52) **U.S. Cl.**
USPC **D14/204**

(58) **Field of Classification Search**
USPC D14/168, 188, 203.1, 204, 214, 221,
D14/222, 314, 348, 365; 181/144, 147, 148,
181/150, 153, 157, 198, 199; 381/300-303,
381/306, 332, 333, 336, 345, 361-364,
381/386-388; 369/6-12
CPC H04R 1/02; H04R 1/021; H04R 1/023;
H04R 5/00; H04R 9/06; H04R 2420/07
See application file for complete search history.

(56) **References Cited**

U.S. PATENT DOCUMENTS

D542,777 S * 5/2007 Sato D14/172
D581,901 S * 12/2008 Pincek D14/214
8,356,689 B2 * 1/2013 Huang H04R 1/021
181/151
D680,099 S * 4/2013 Davies D14/204
2004/0264730 A1 * 12/2004 Combest H04R 1/023
381/391
2006/0225950 A1 * 10/2006 Ishida H04R 1/021
181/199

FOREIGN PATENT DOCUMENTS

EM 002111823-0001 * 10/2012
EM 001358071-0004 * 1/2013

* cited by examiner

Primary Examiner — Derrick Holland

Assistant Examiner — Janice Lim

(74) *Attorney, Agent, or Firm* — Burr & Brown, PLLC

(57) **CLAIM**

The ornamental design for a speaker box, as shown and described.

DESCRIPTION

FIG. 1 is a perspective view of a speaker box, of embodiment one, showing my new design;
FIG. 2 is a front view thereof;
FIG. 3 is a rear view thereof;
FIG. 4 is a right side view thereof;
FIG. 5 is a left side view thereof;
FIG. 6 is a top plan view thereof;
FIG. 7 is a bottom plan view thereof;
FIG. 8 is a perspective view of a speaker box, of embodiment two, showing my new design;
FIG. 9 is a front view thereof;
FIG. 10 is a rear view thereof;
FIG. 11 is a right side view thereof;
FIG. 12 is a left side view thereof;
FIG. 13 is a top plan view thereof; and,
FIG. 14 is a bottom plan view thereof.
The broken lines of FIGS. 2 and 8-14 are included to show unclaimed subject matter only and form no part of the claimed design.

1 Claim, 14 Drawing Sheets

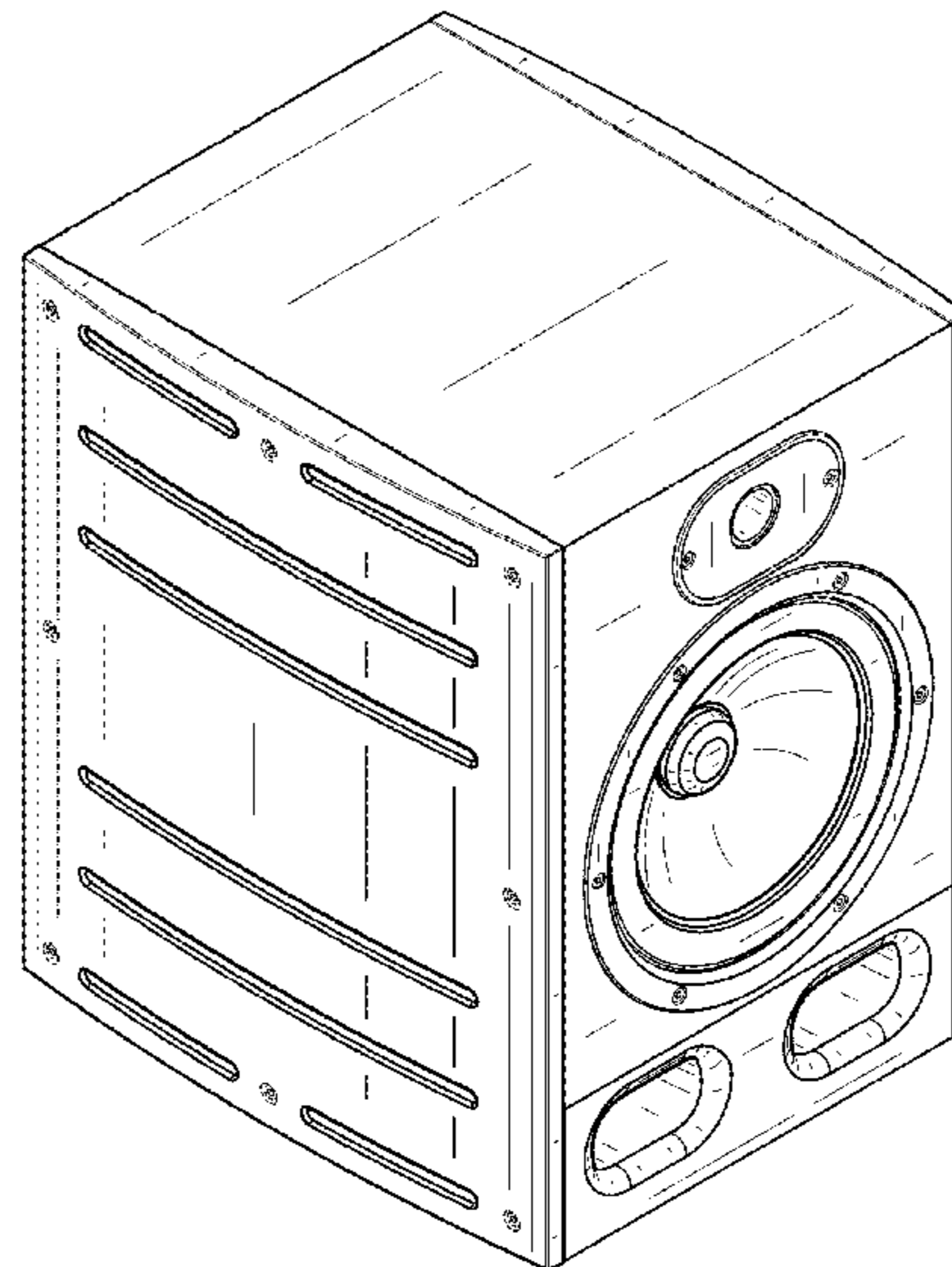
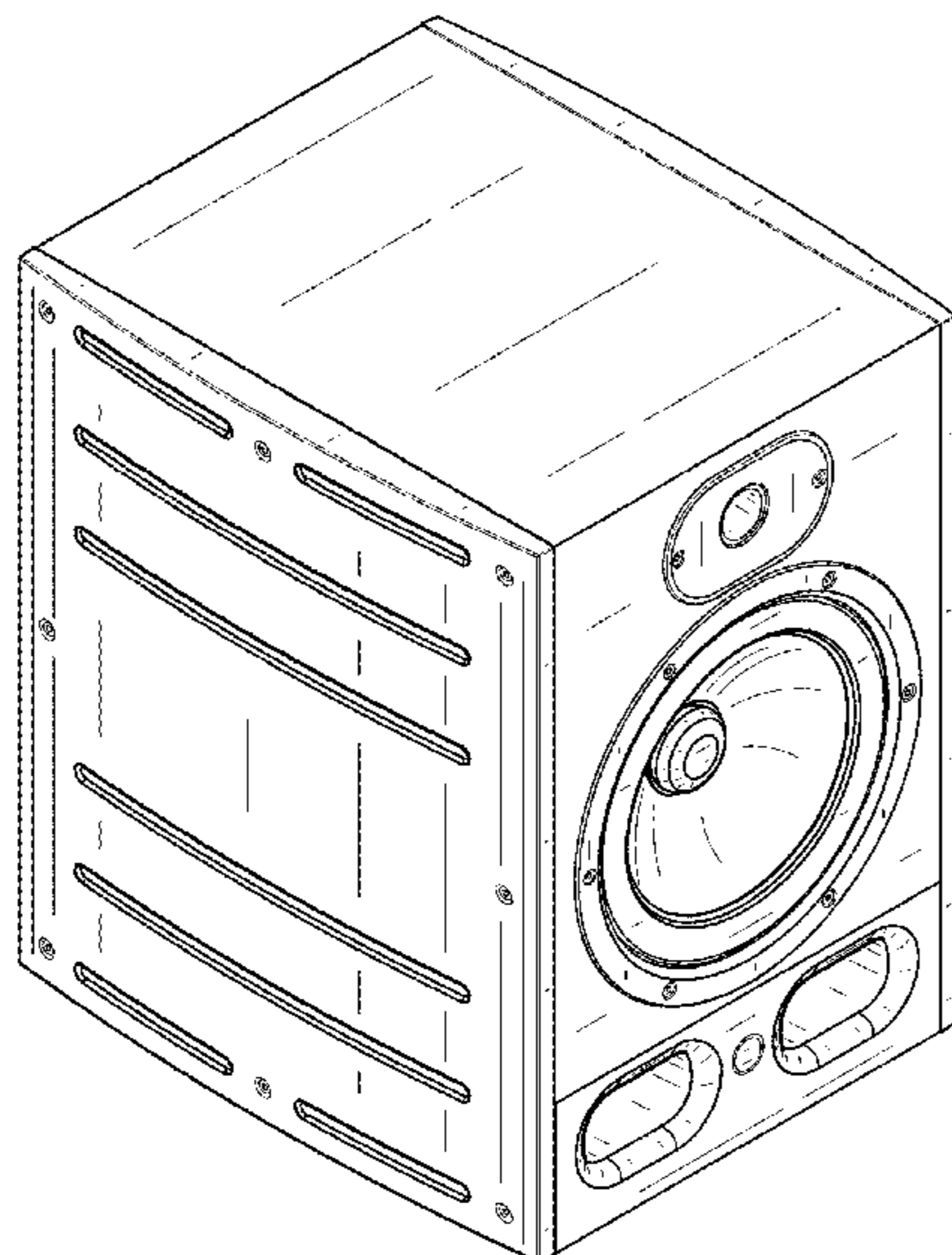


FIG. 1

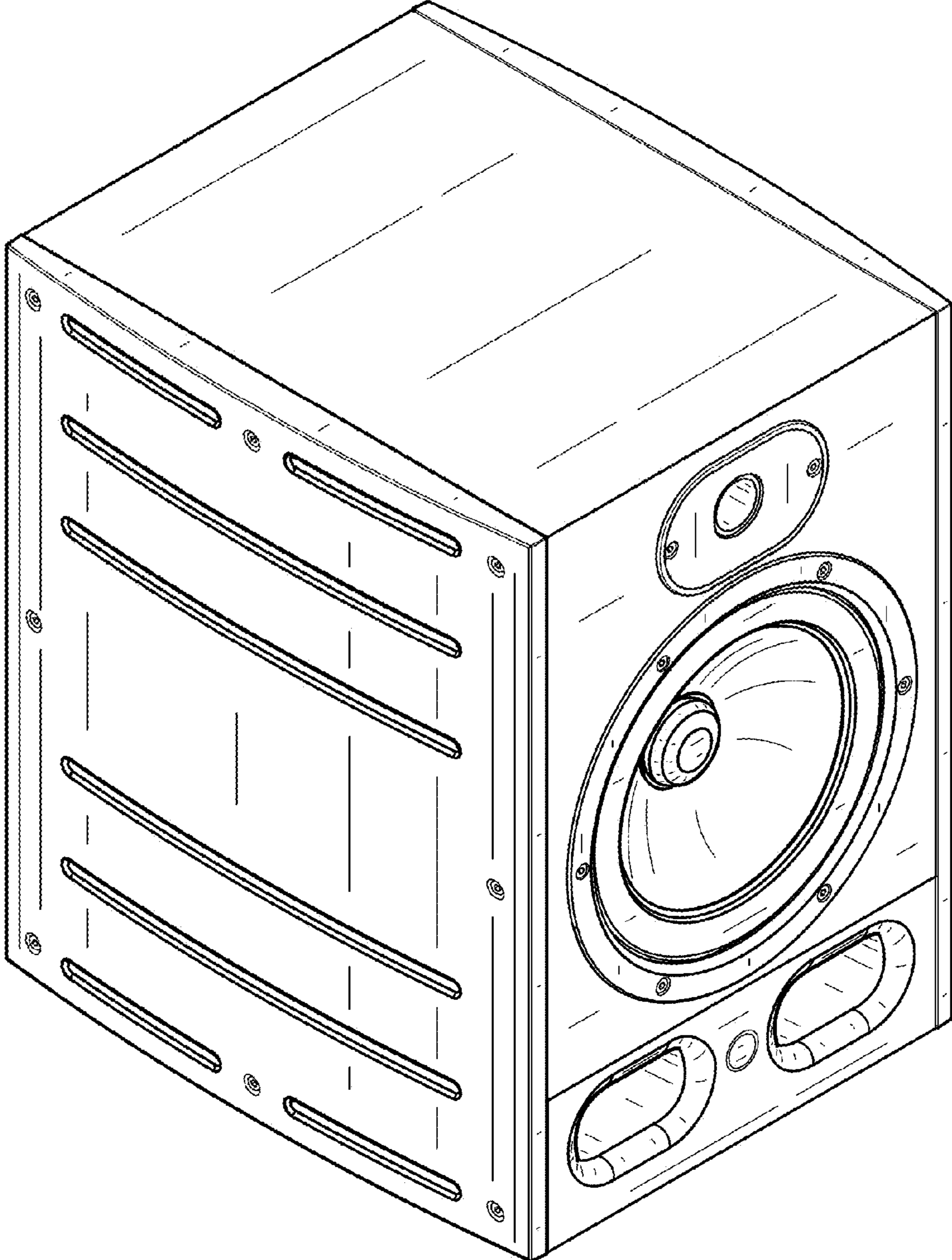


FIG. 2

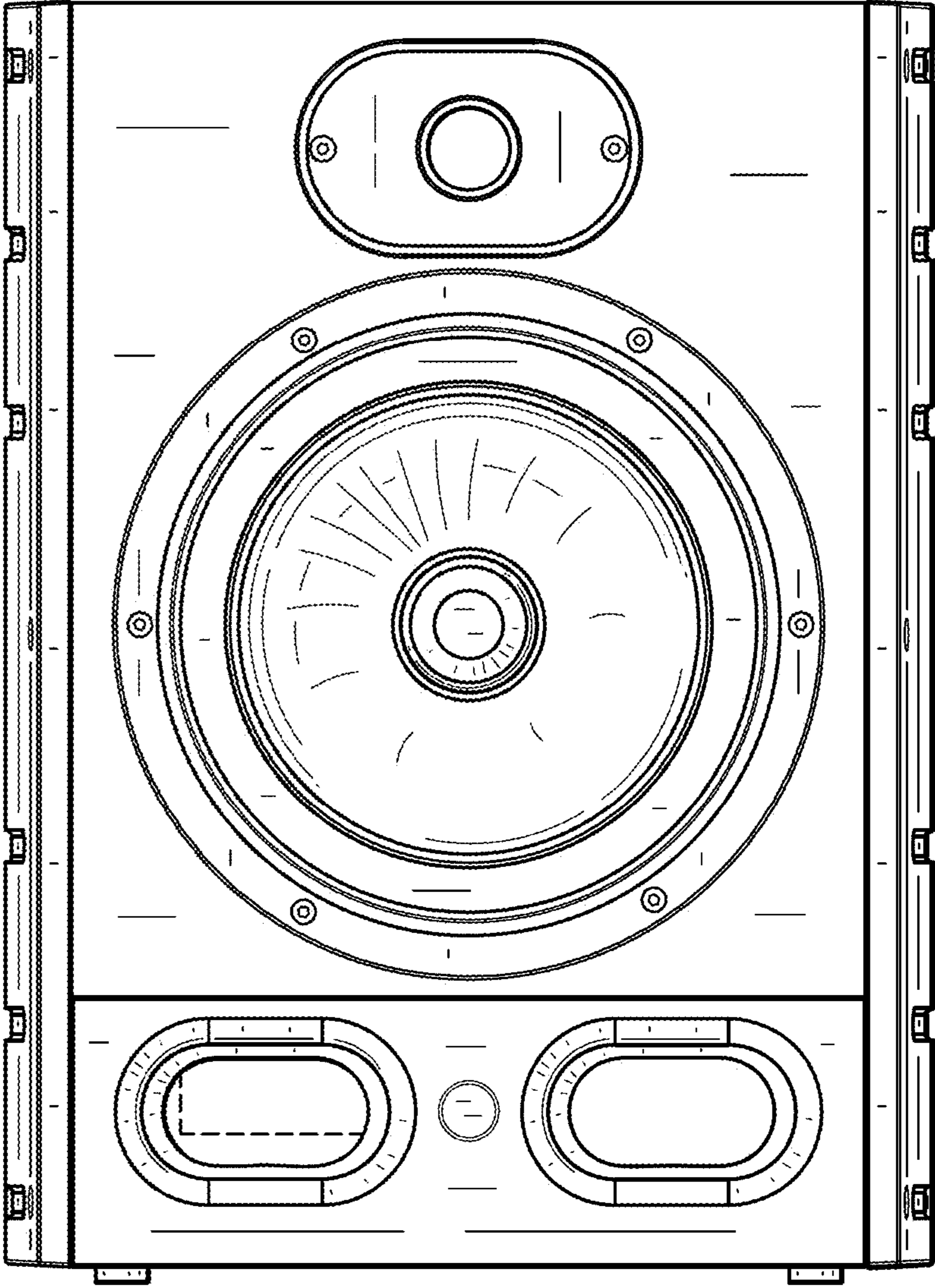


FIG. 3

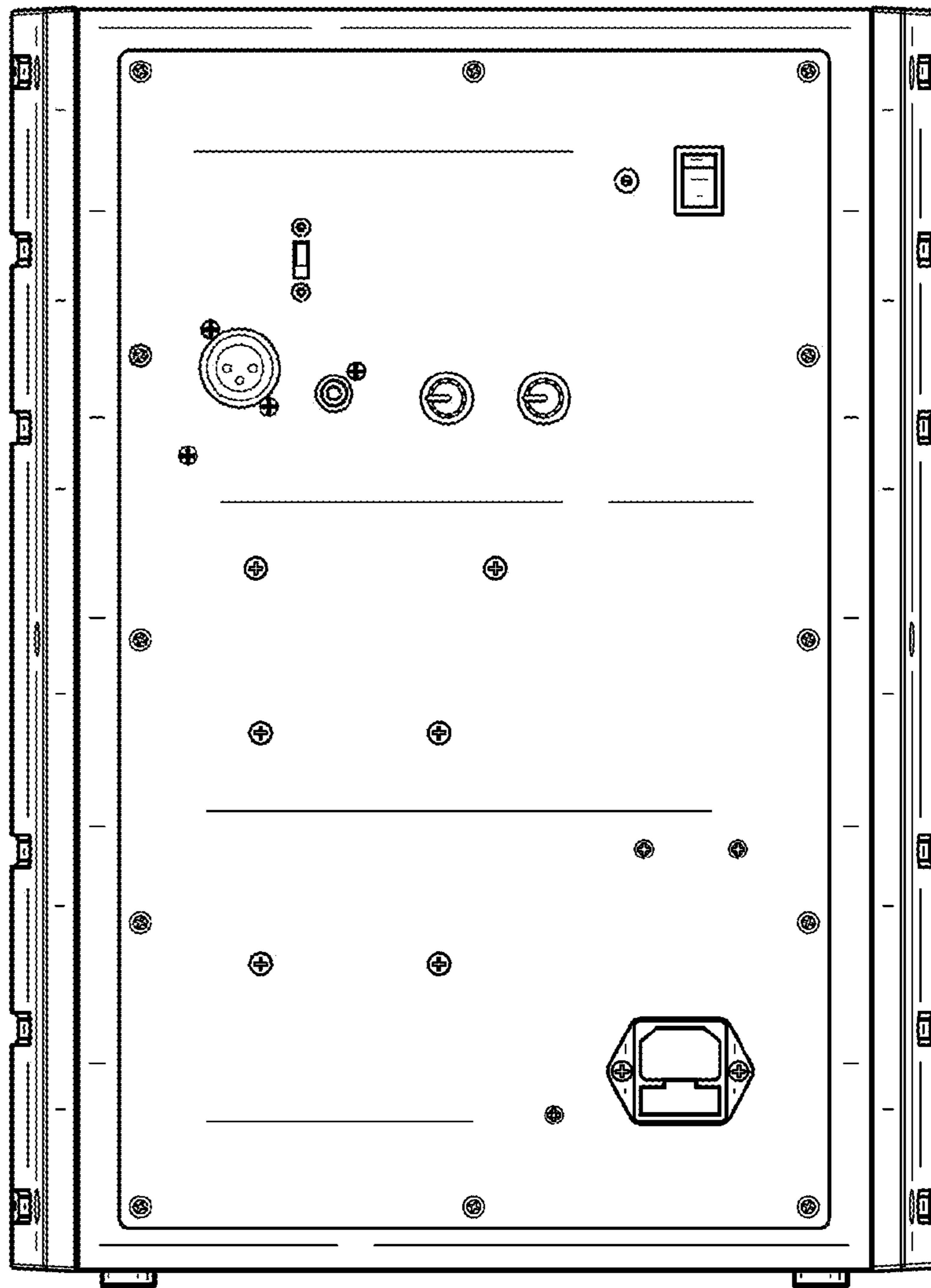


FIG. 4

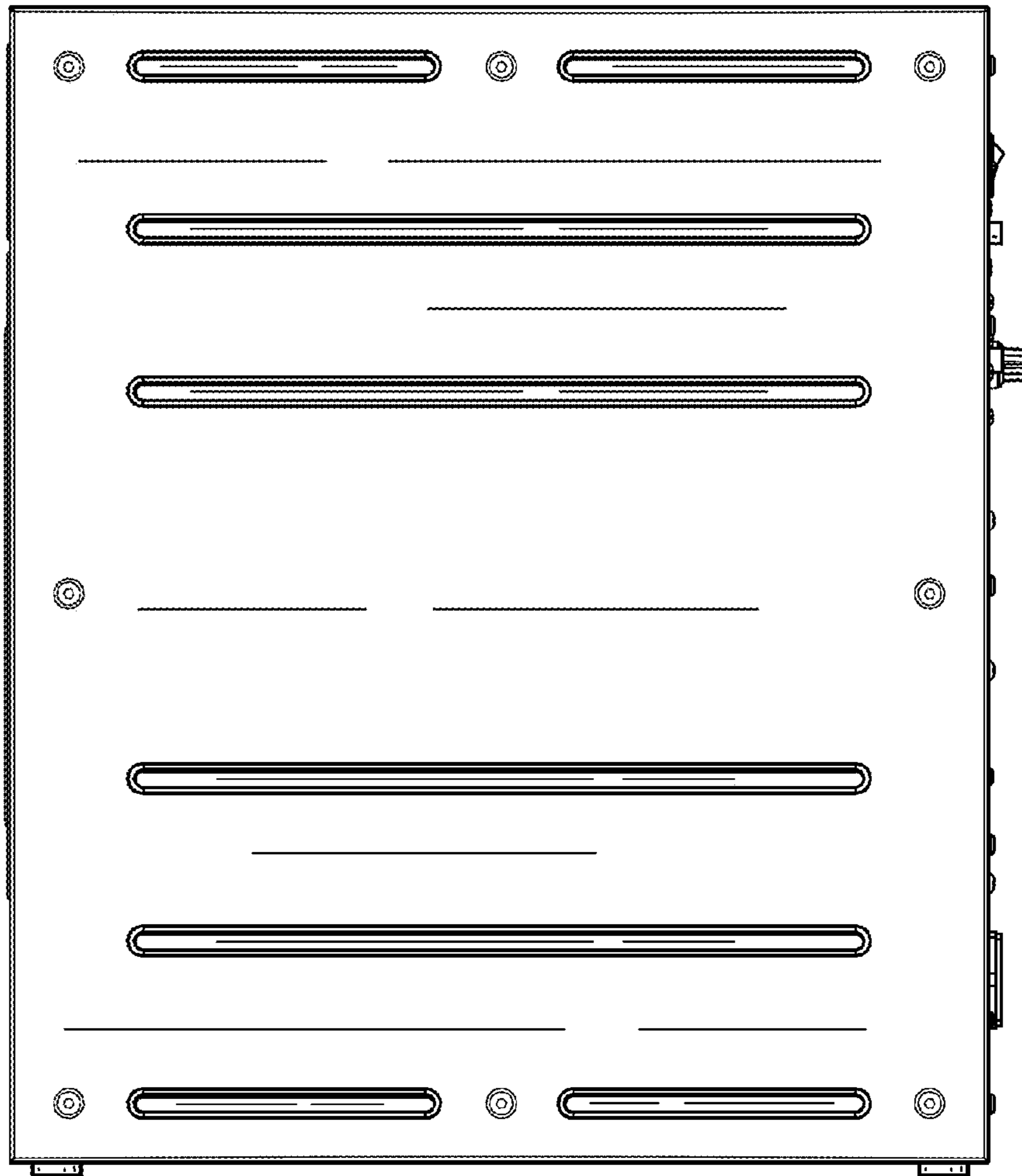


FIG. 5

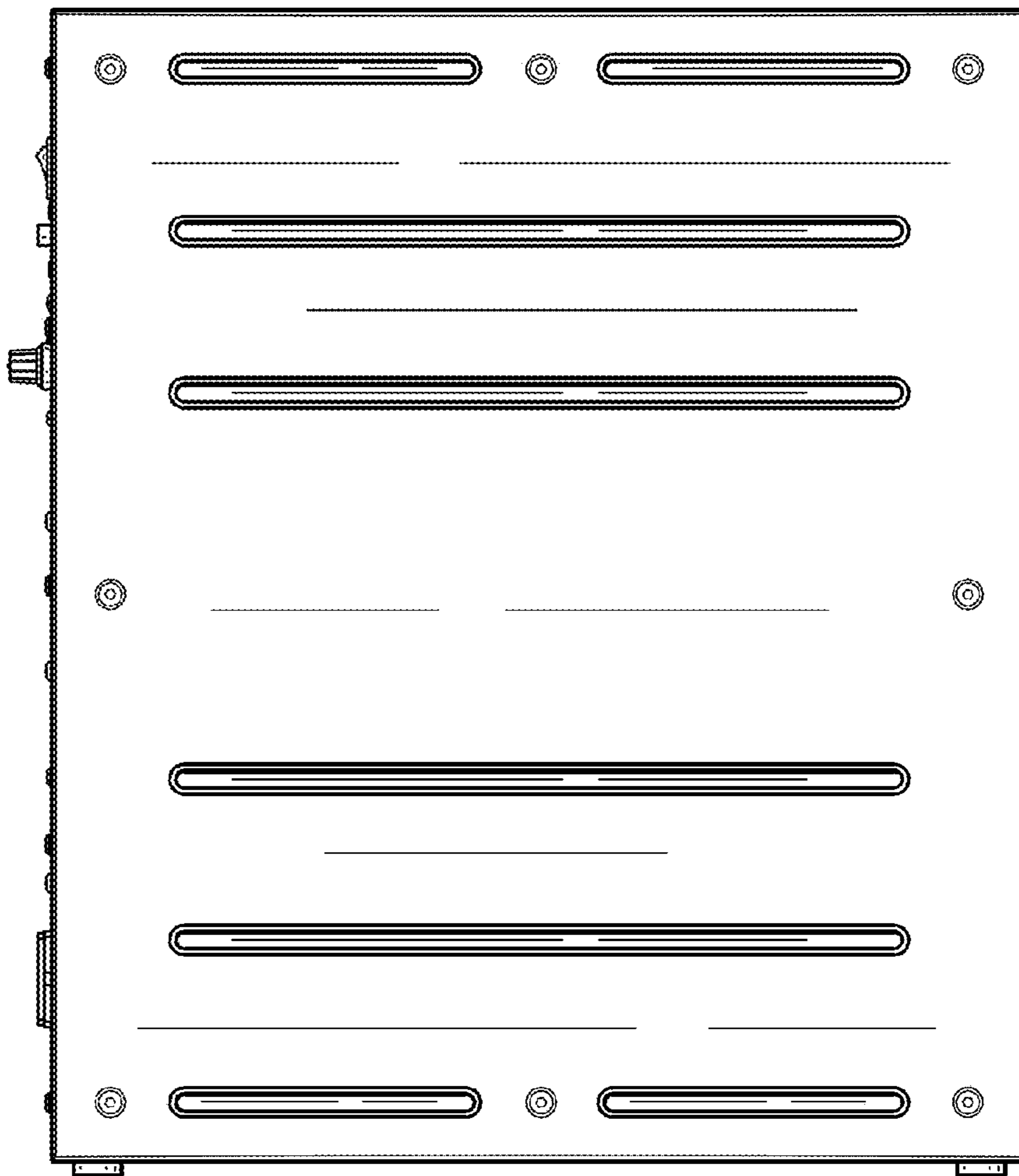


FIG. 6

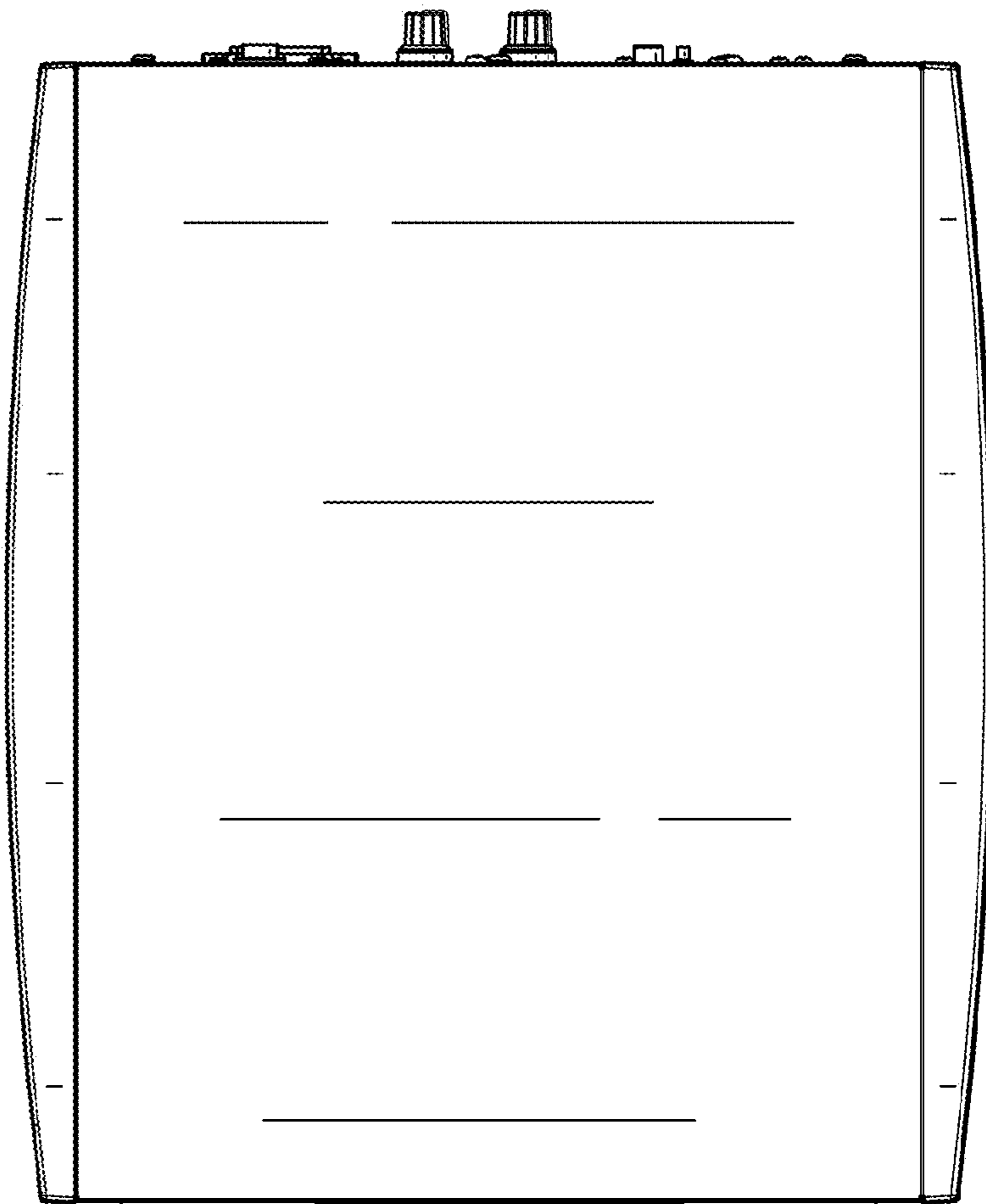


FIG. 7

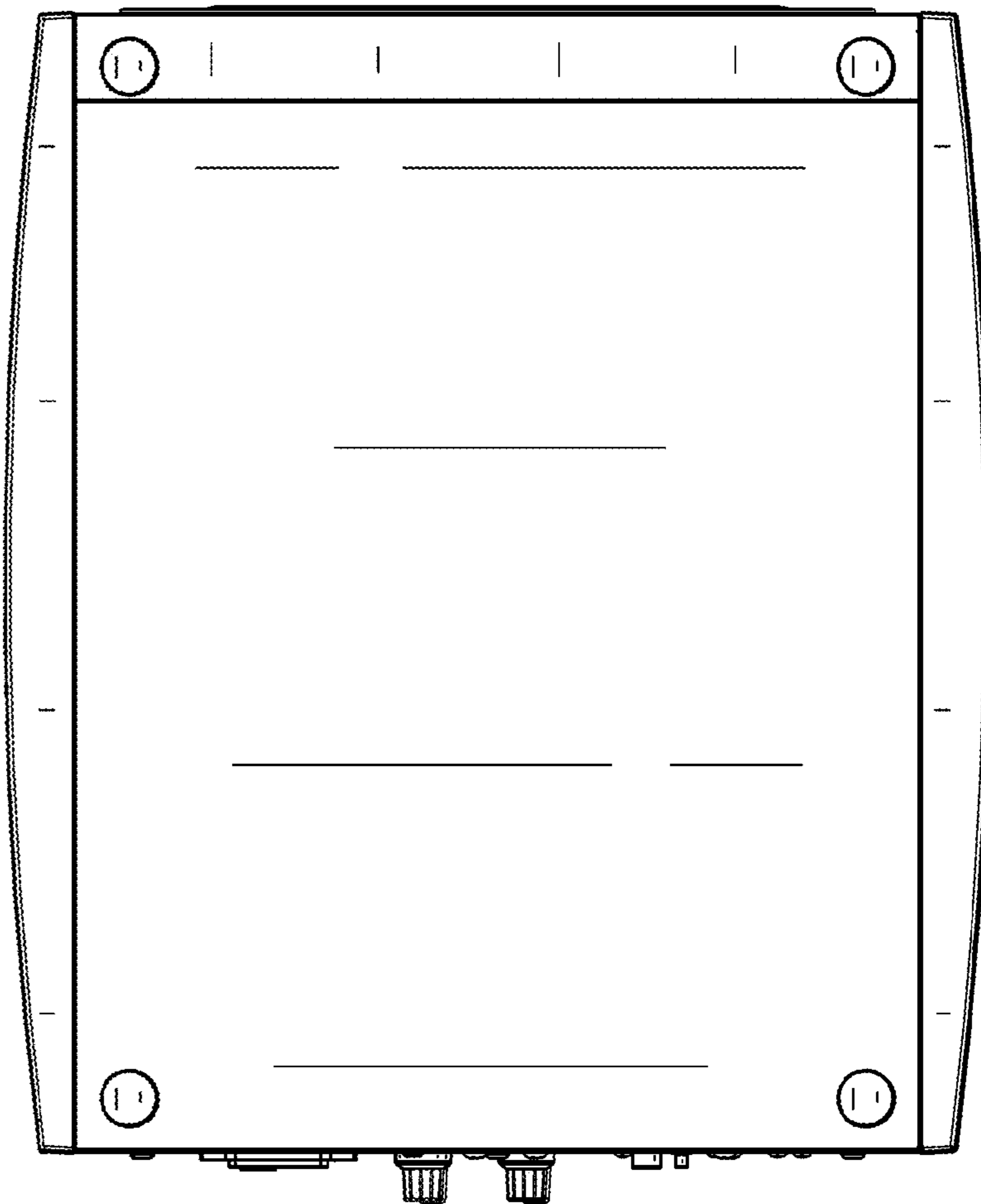


FIG. 8

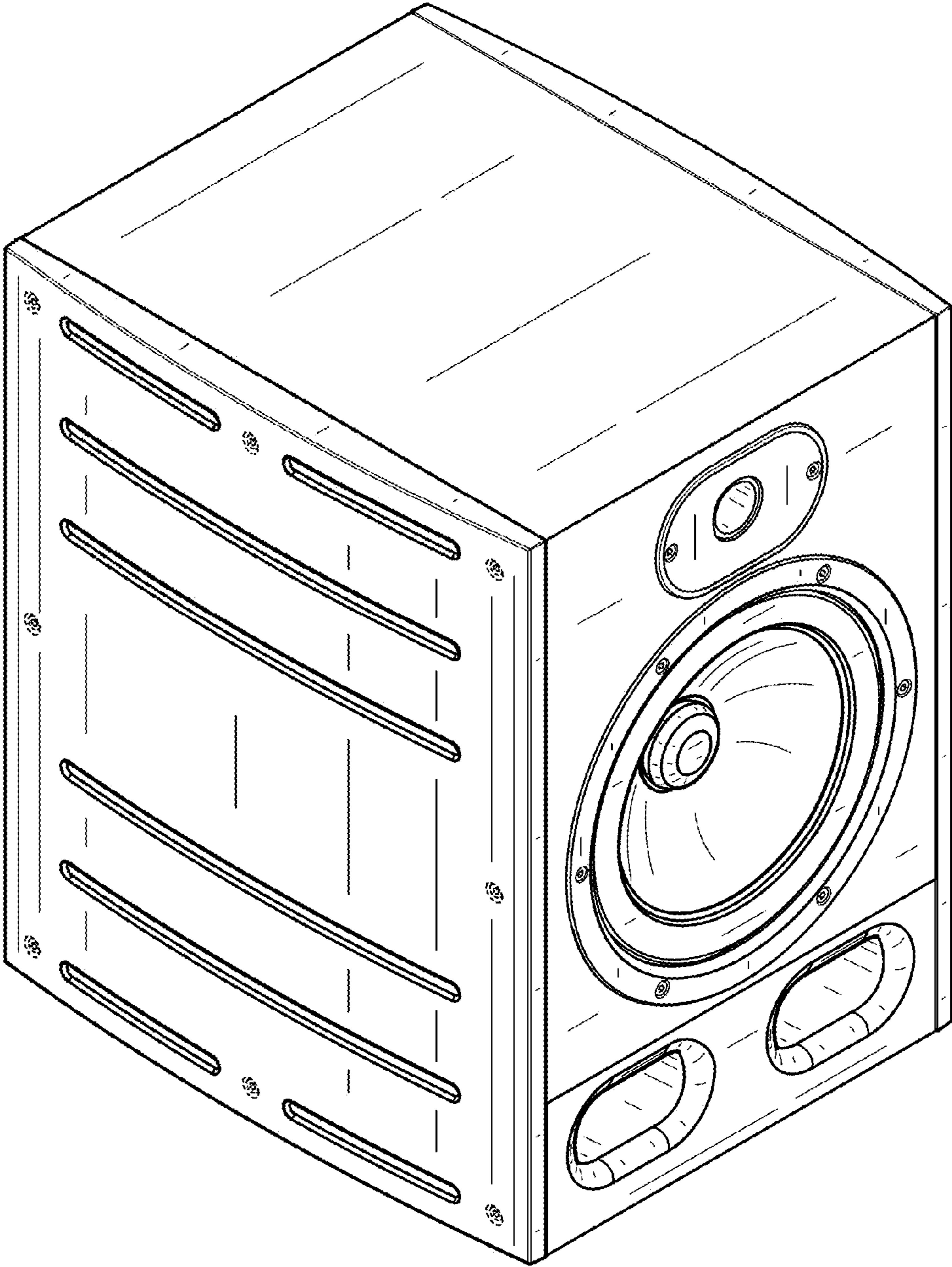


FIG. 9

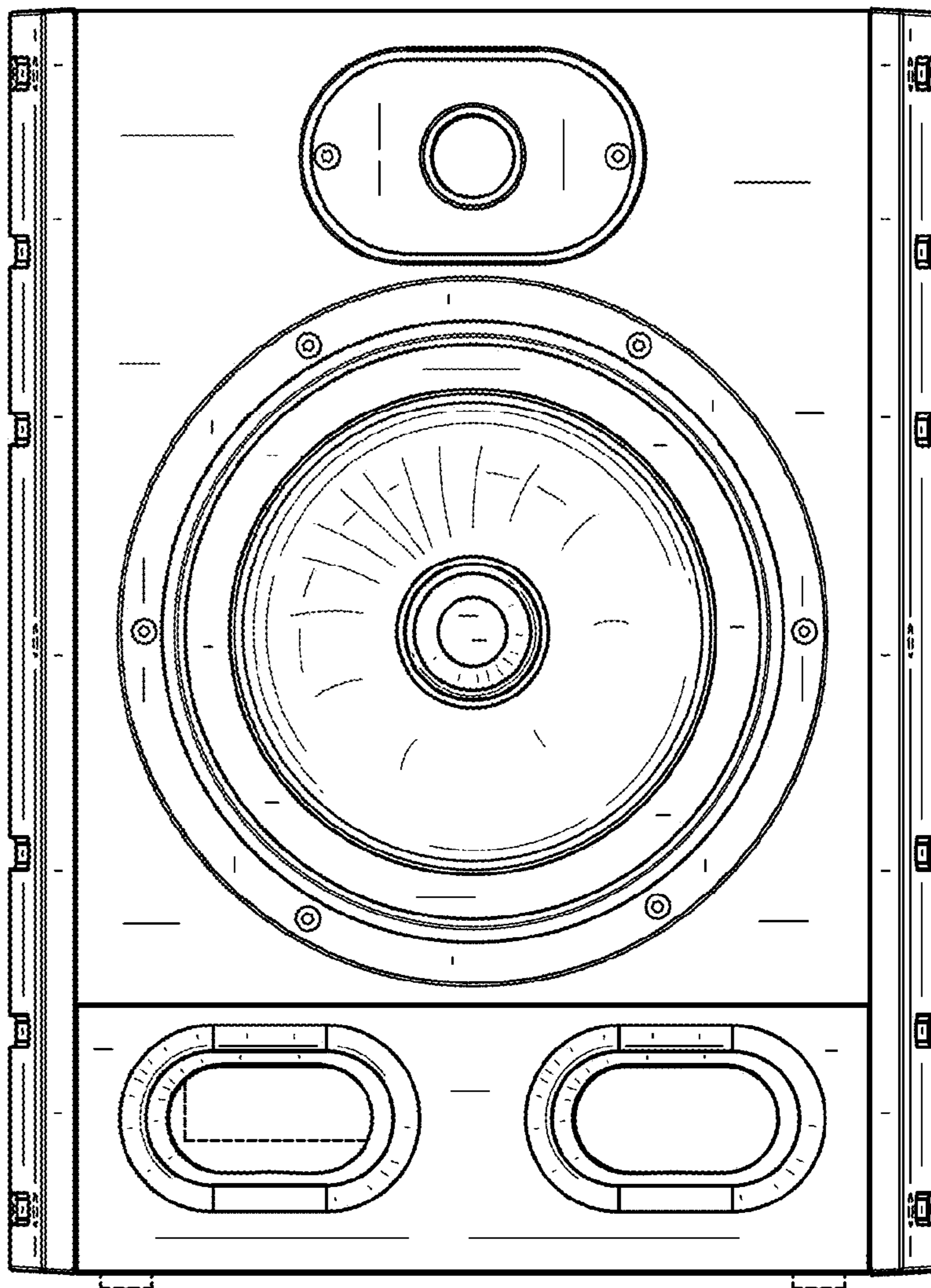


FIG. 10

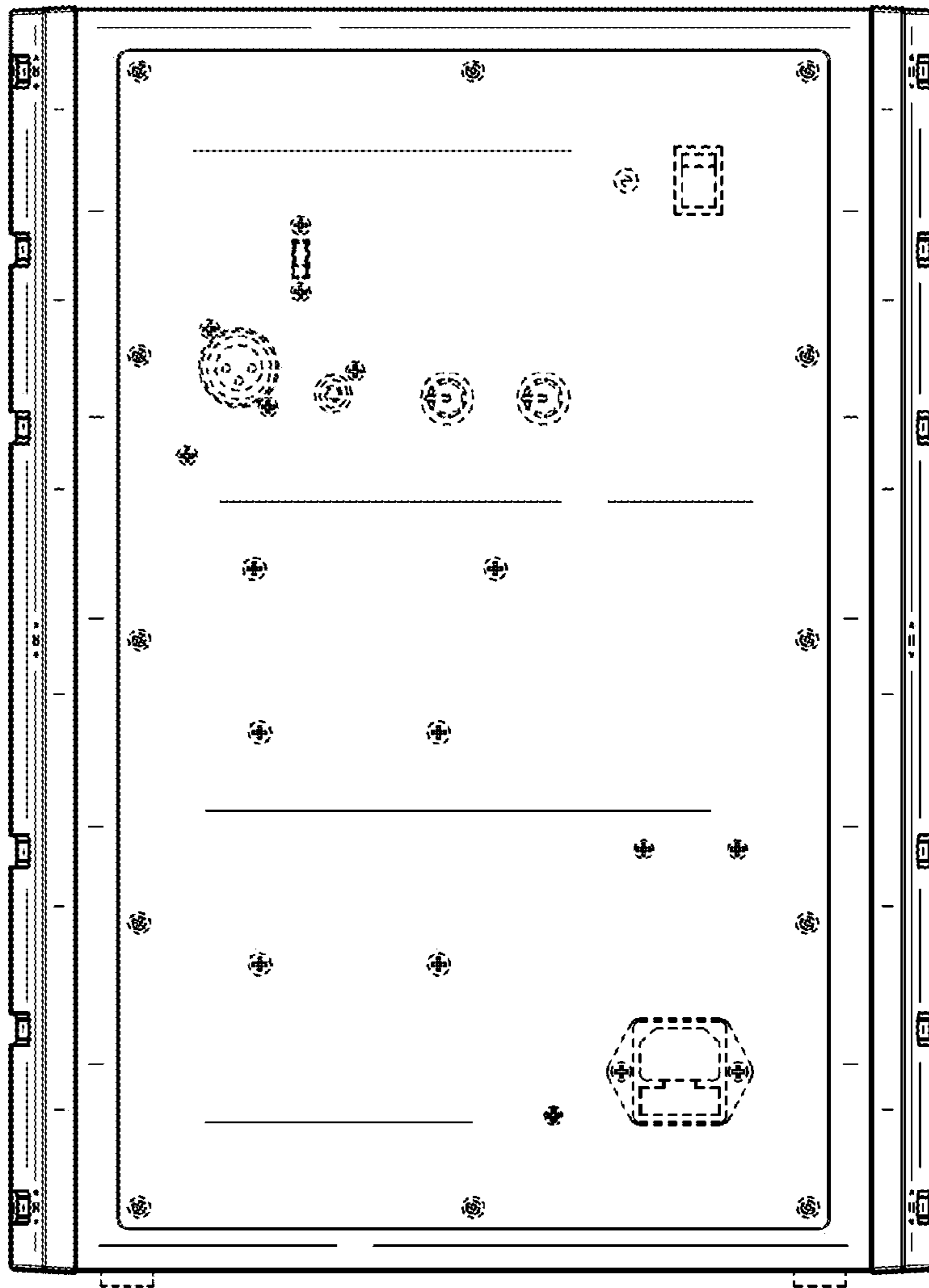


FIG. 11

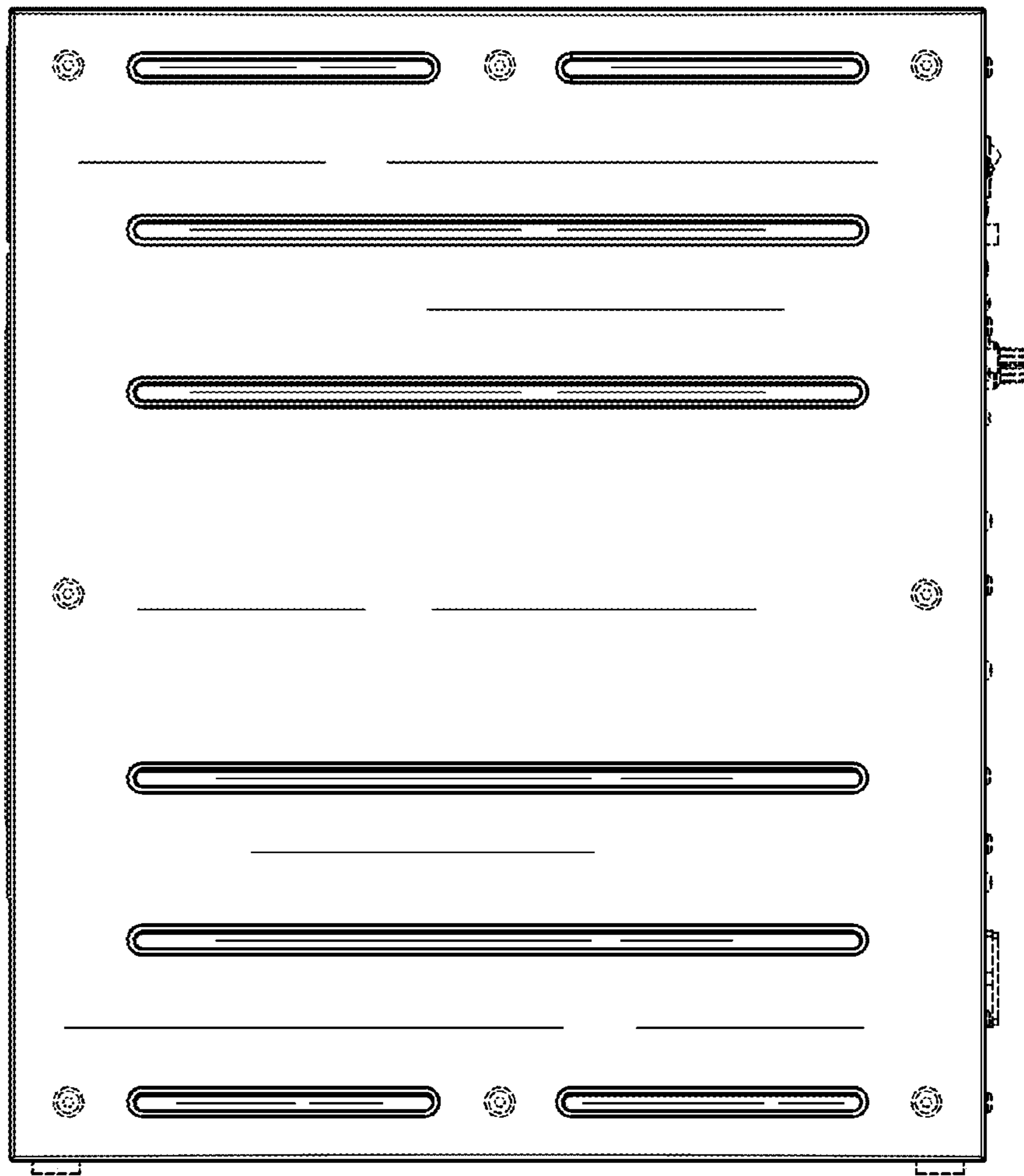


FIG. 12

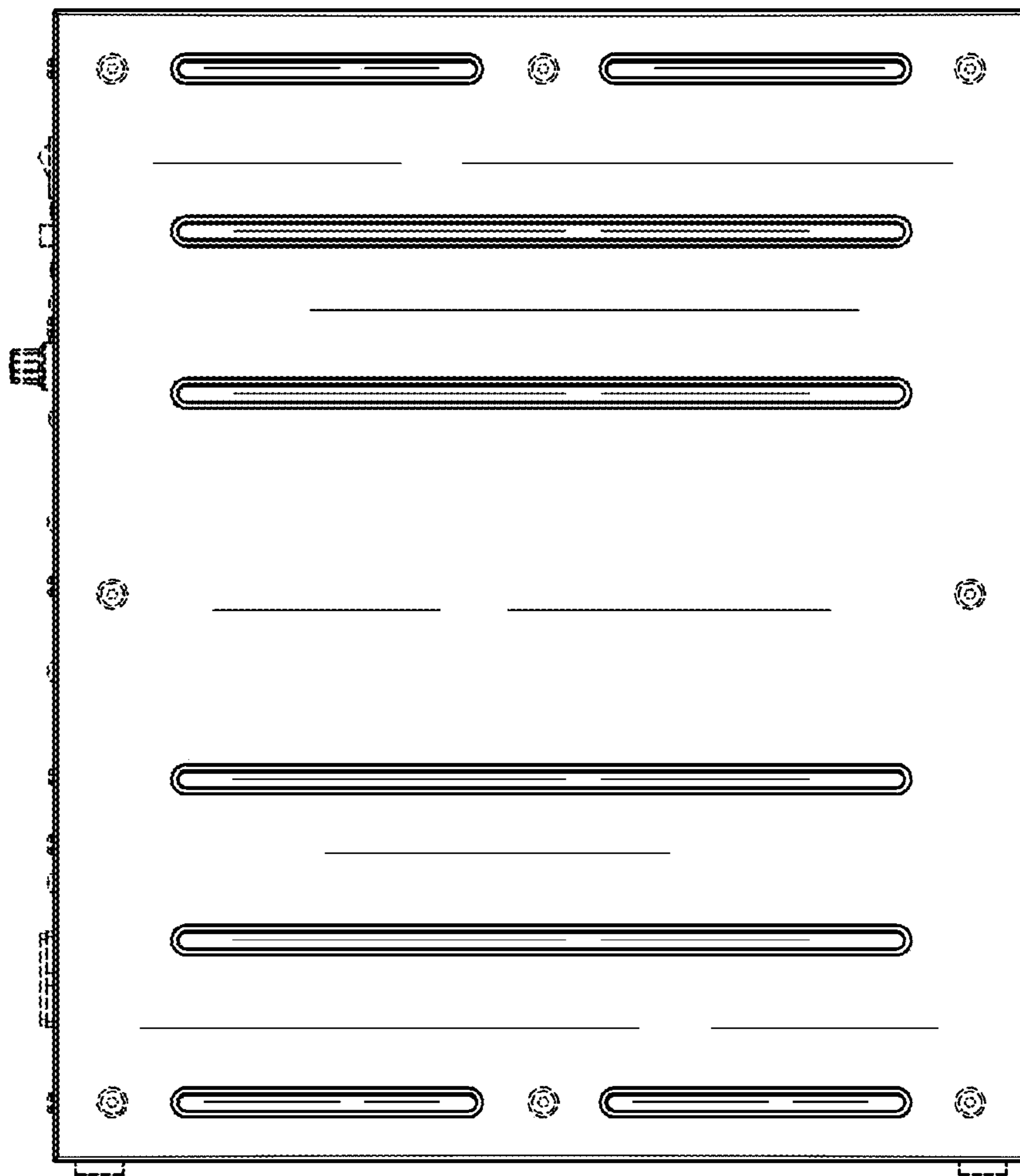


FIG. 13

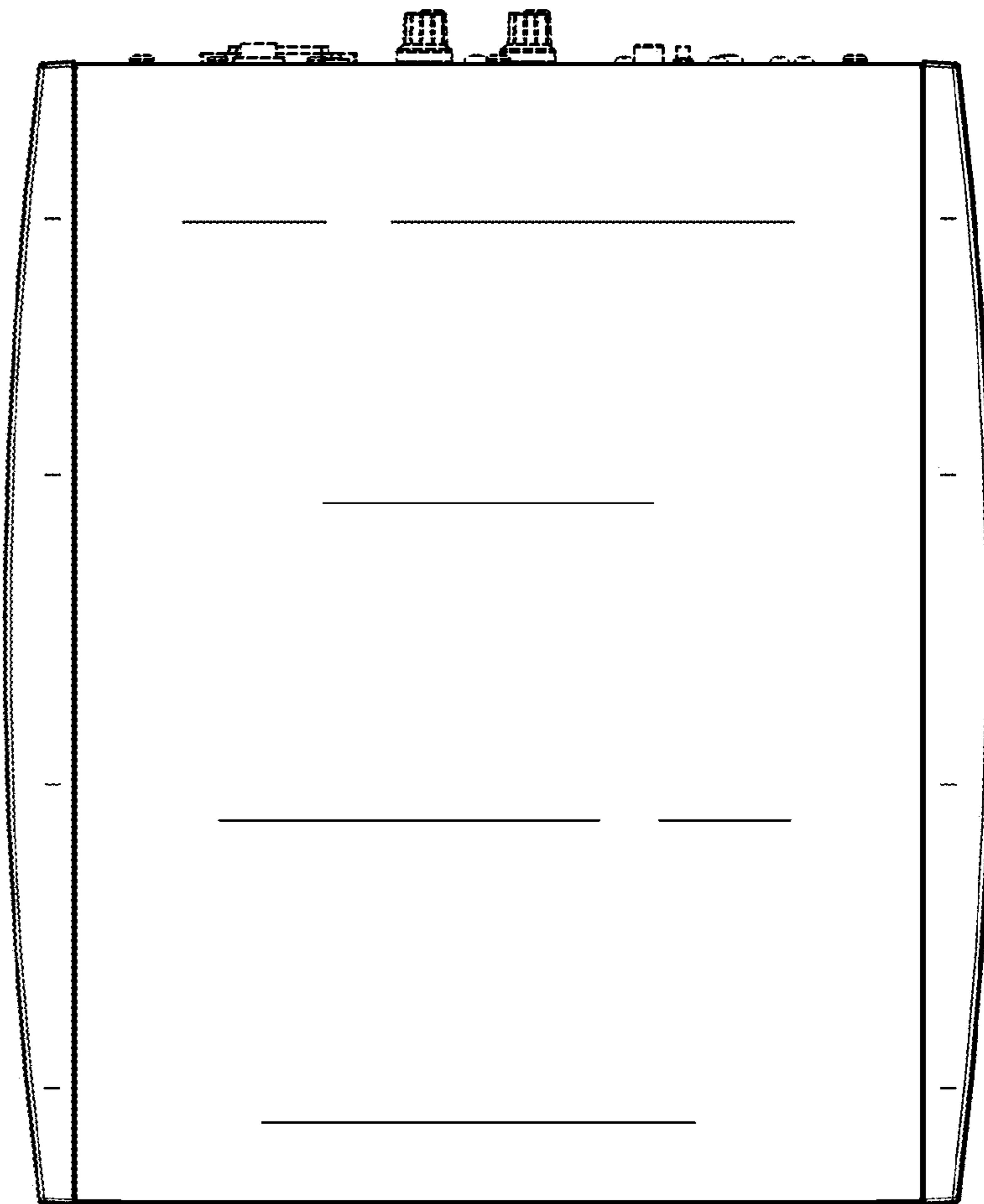


FIG. 14

