



US00D754094S

(12) **United States Design Patent**
Cho

(10) **Patent No.:** **US D754,094 S**
(45) **Date of Patent:** **** Apr. 19, 2016**

(54) **SOUND DEVICE**

(71) Applicant: **Creative Technology Ltd**, Singapore
(SG)

(72) Inventor: **Mei San Gigi Cho**, Singapore (SG)

(73) Assignee: **Creative Technology Ltd**, Singapore
(SG)

(**) Term: **14 Years**

(21) Appl. No.: **29/500,380**

(22) Filed: **Aug. 25, 2014**

(30) **Foreign Application Priority Data**

Feb. 26, 2014 (SG) D2014/193/C

(51) **LOC (10) Cl.** **14-03**

(52) **U.S. Cl.**
USPC **D14/188**; D14/204

(58) **Field of Classification Search**
USPC D14/167, 168, 170-172, 188, 194, 207,
D14/209.1, 210-217, 221, 222, 224, 496;
181/143, 144, 148, 153, 157, 198, 199;
369/6-12; 381/300-303, 306, 332,
381/333, 336, 345, 361-364, 366, 386-388
CPC A47B 81/06; H04R 1/02; H04R 1/021;
H04R 19/013; H04R 2420/07; H05K 5/00
See application file for complete search history.

(56) **References Cited**

U.S. PATENT DOCUMENTS

D535,307 S * 1/2007 Yagi D14/157
D566,685 S * 4/2008 Koller D14/168

D594,002 S * 6/2009 Kettula D14/240
D608,343 S * 1/2010 Skurdal D14/204
D630,193 S * 1/2011 Bennett D14/167
D655,270 S * 3/2012 Jain D14/167
D675,187 S * 1/2013 Nousiainen D14/204
D685,348 S * 7/2013 Szymanski D14/214

OTHER PUBLICATIONS

WellPromo.com MP3 Player with LCD Display, announced Jan. 2010, [online], site visited Nov. 12, 2015. Available from Internet, <URL: <http://www.wellpromo.com>>.*

* cited by examiner

Primary Examiner — Derrick Holland

Assistant Examiner — Janice Lim

(74) *Attorney, Agent, or Firm* — Russell Swerdon; Desmond Gean

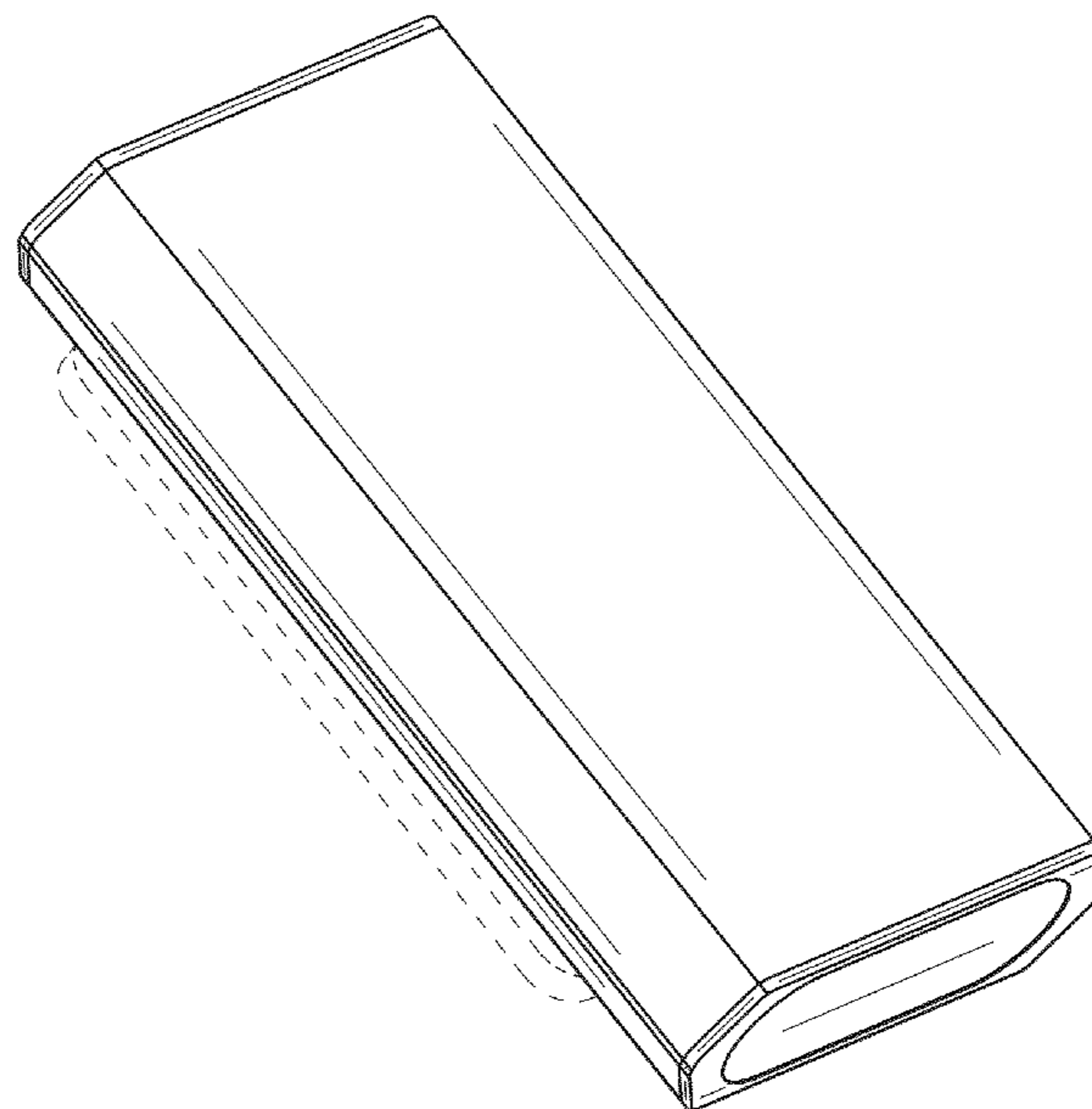
(57) **CLAIM**

The ornamental design for a sound device, substantially as shown and described.

DESCRIPTION

FIG. 1 is a front bottom left side perspective view of a sound device showing our new design;
FIG. 2 is a rear bottom left side perspective view thereof;
FIG. 3 is a front elevational view thereof;
FIG. 4 is a rear elevational view thereof;
FIG. 5 is a left side elevational view thereof;
FIG. 6 is a right side elevational view thereof;
FIG. 7 is a top plan view thereof; and,
FIG. 8 is a bottom plan view thereof.
The broken line portions of FIGS. 1, 2, and 4-8 are included to show unclaimed subject matter only and form no part of the claimed design.

1 Claim, 8 Drawing Sheets



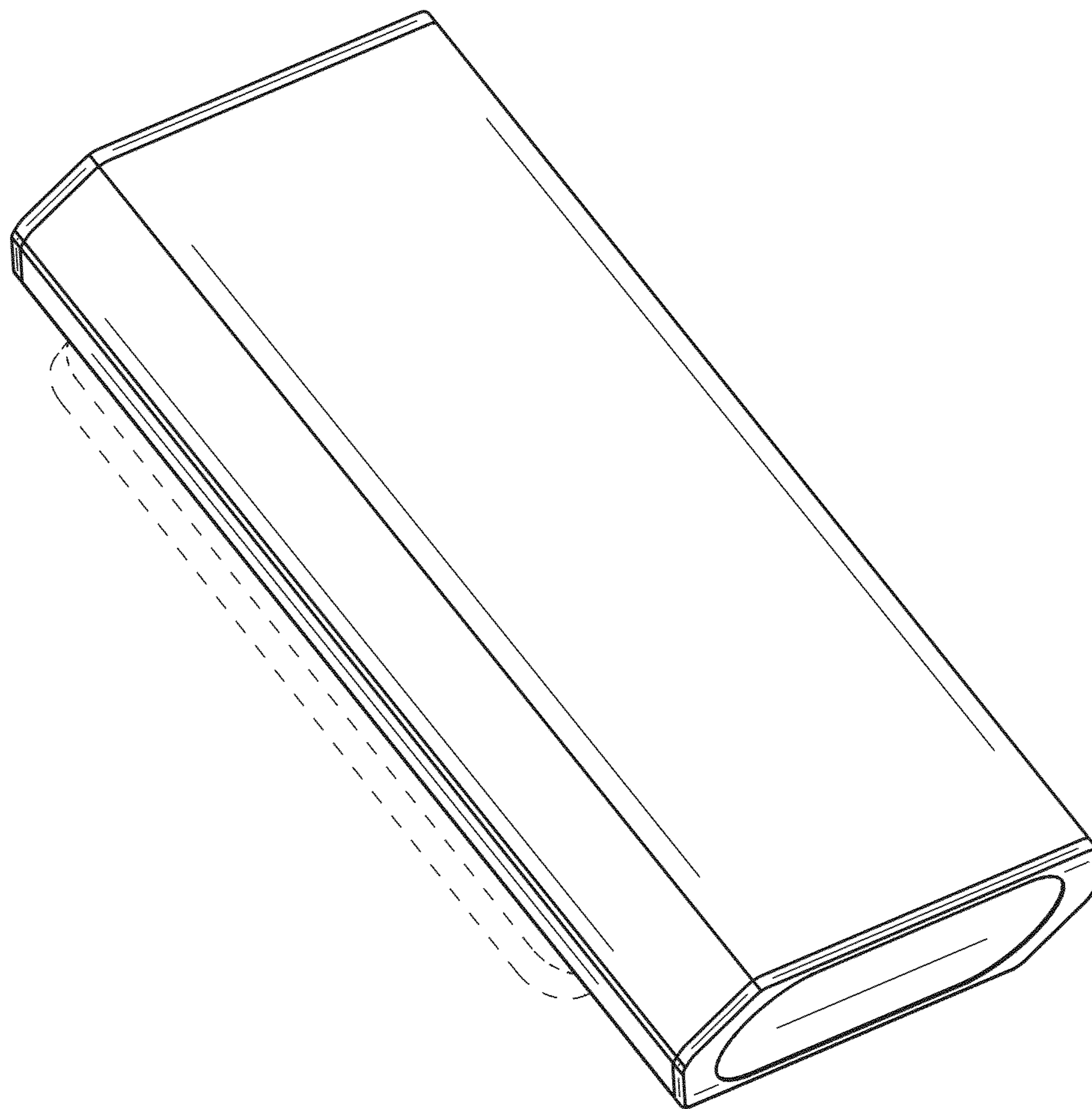


FIG. 1

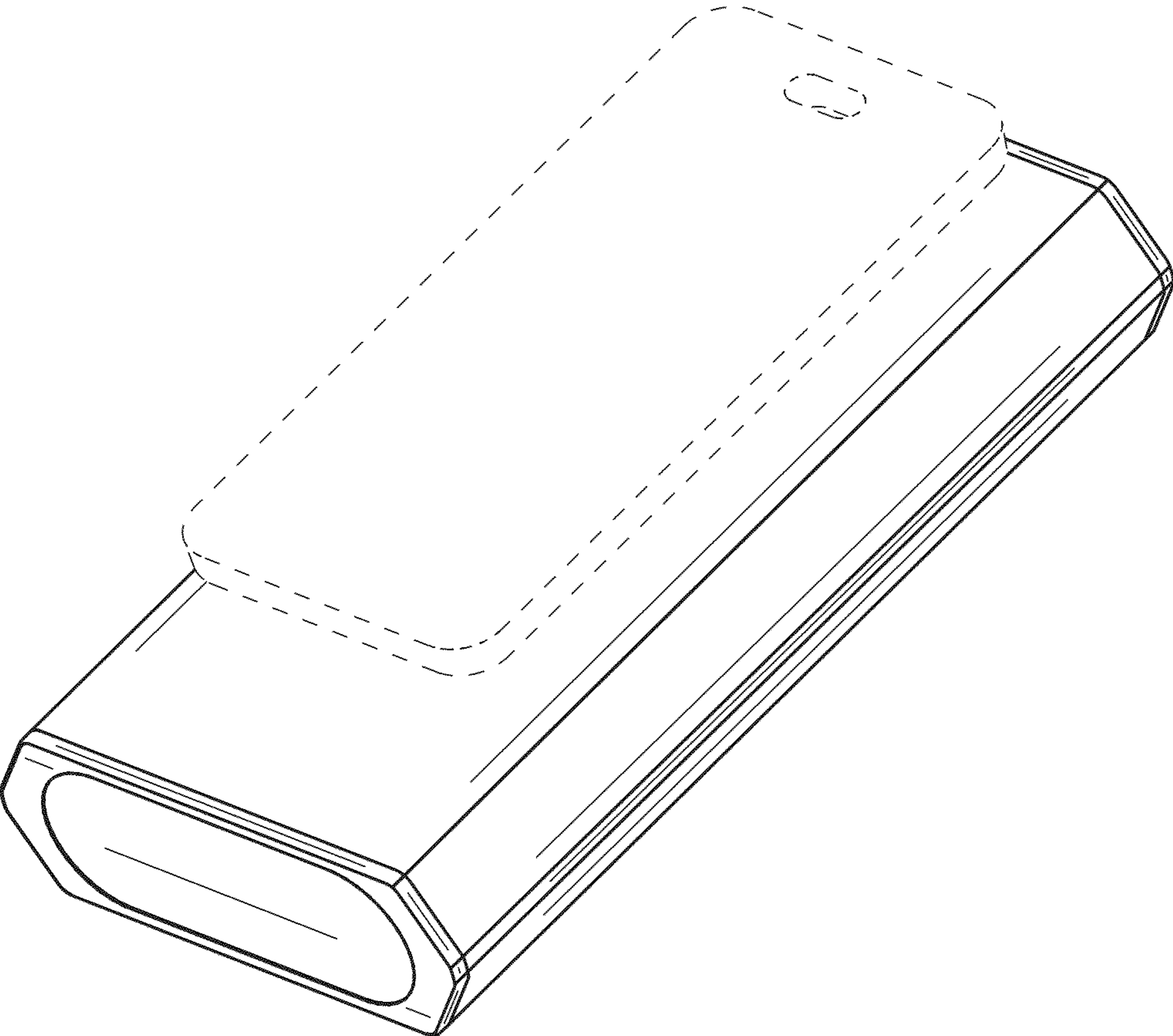


FIG. 2

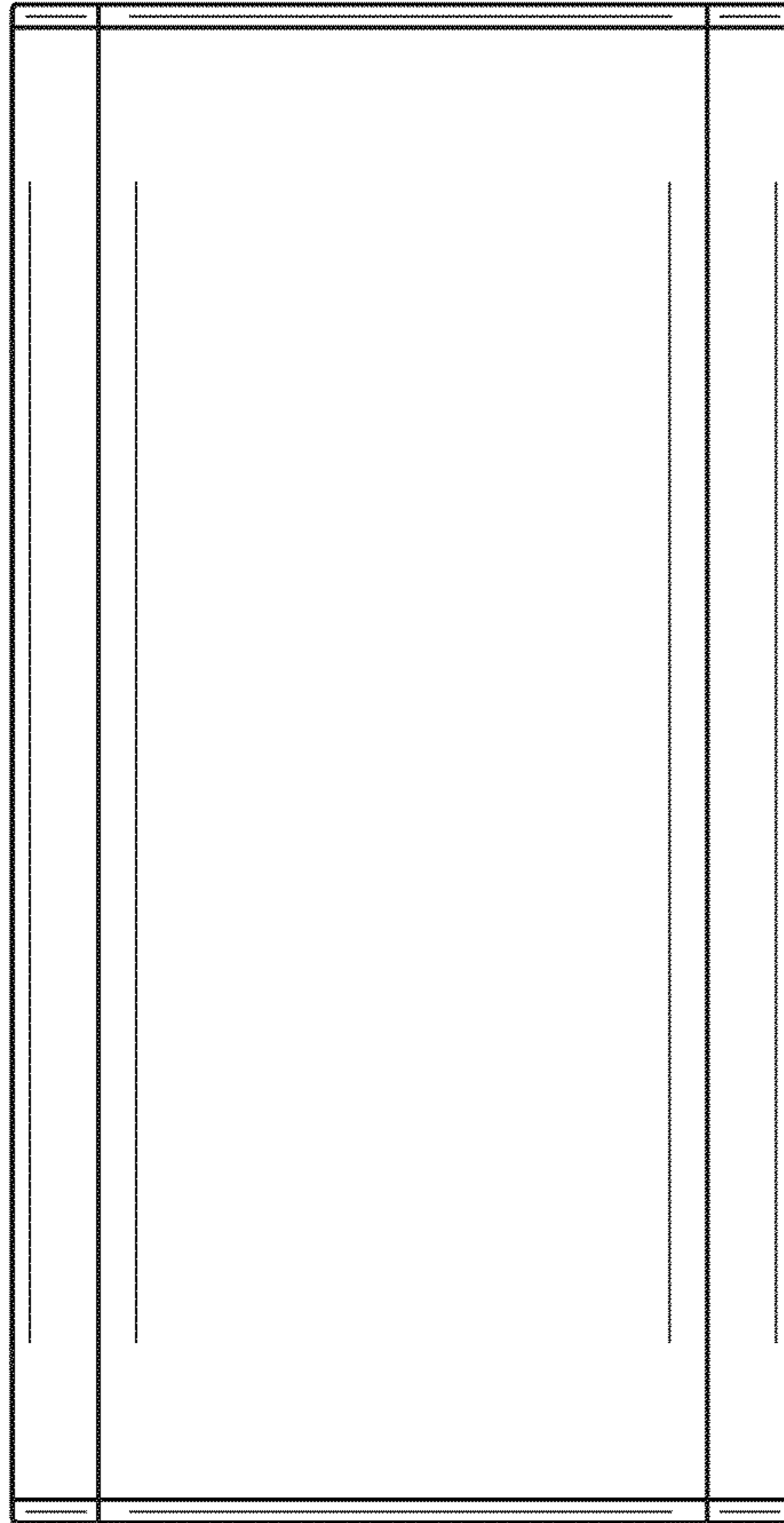


FIG. 3

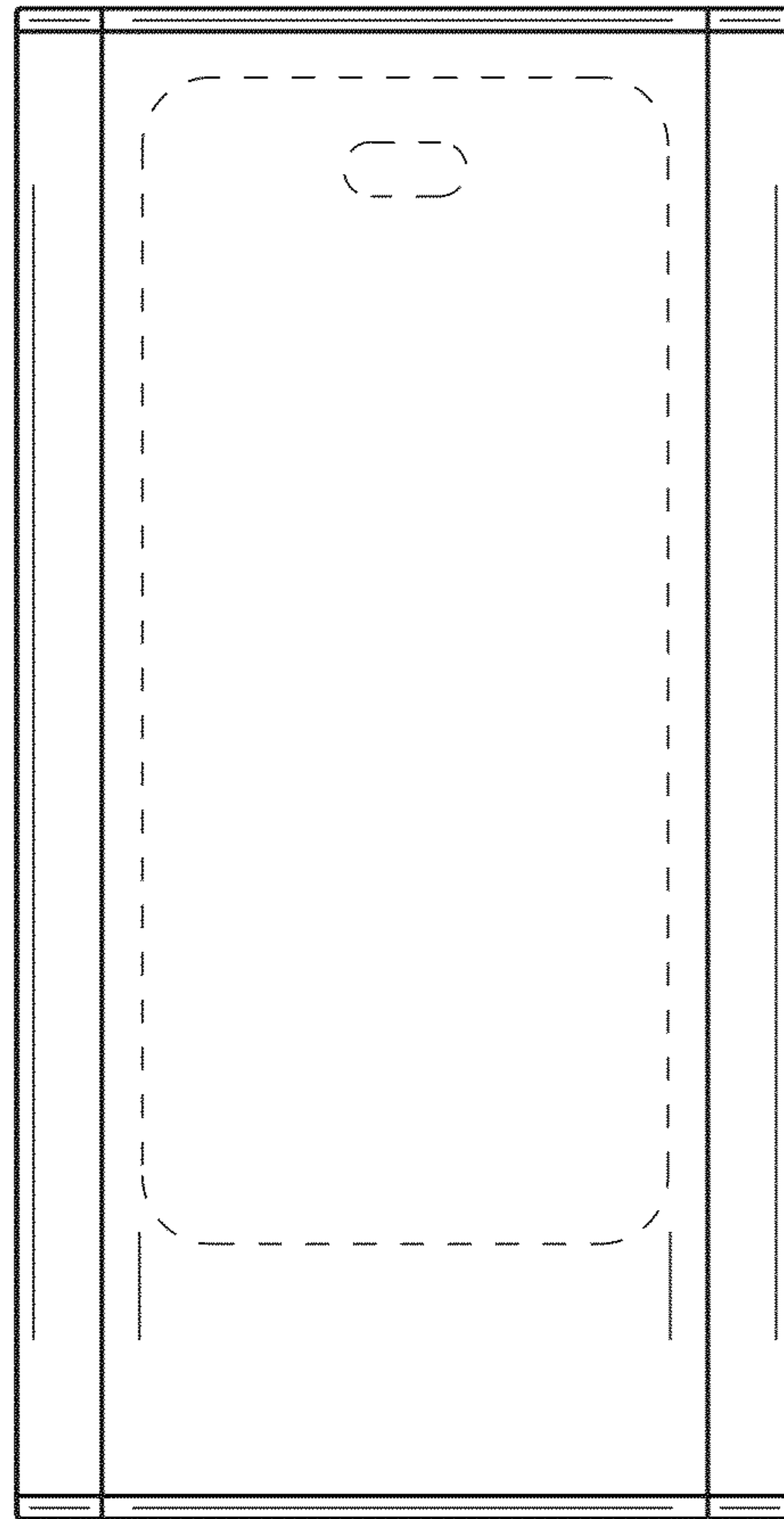


FIG. 4

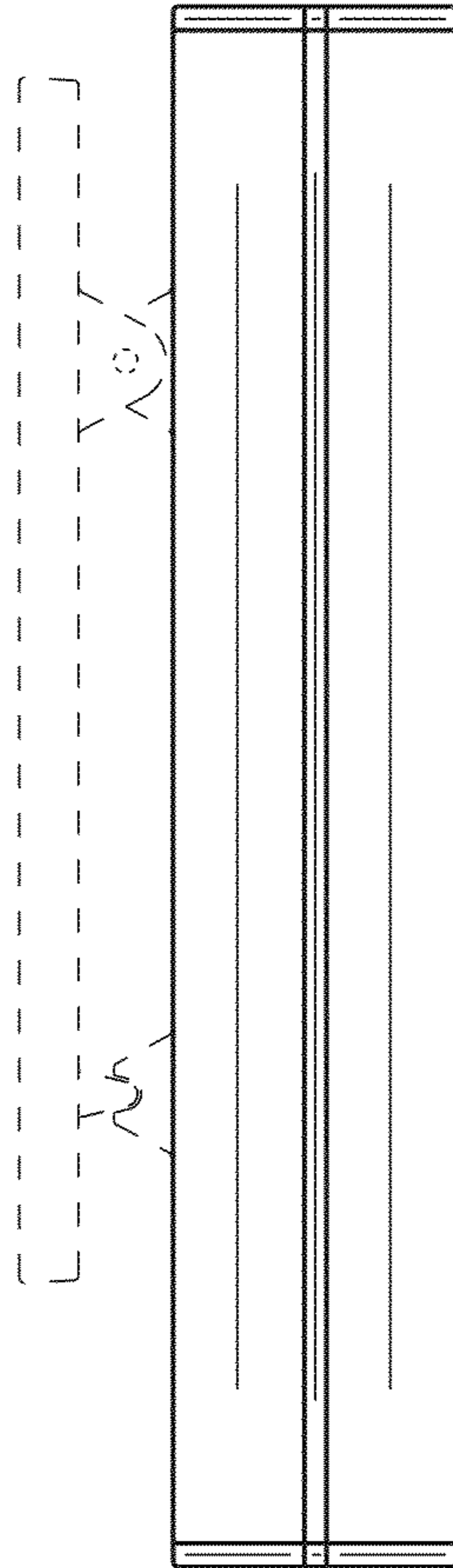


FIG. 5

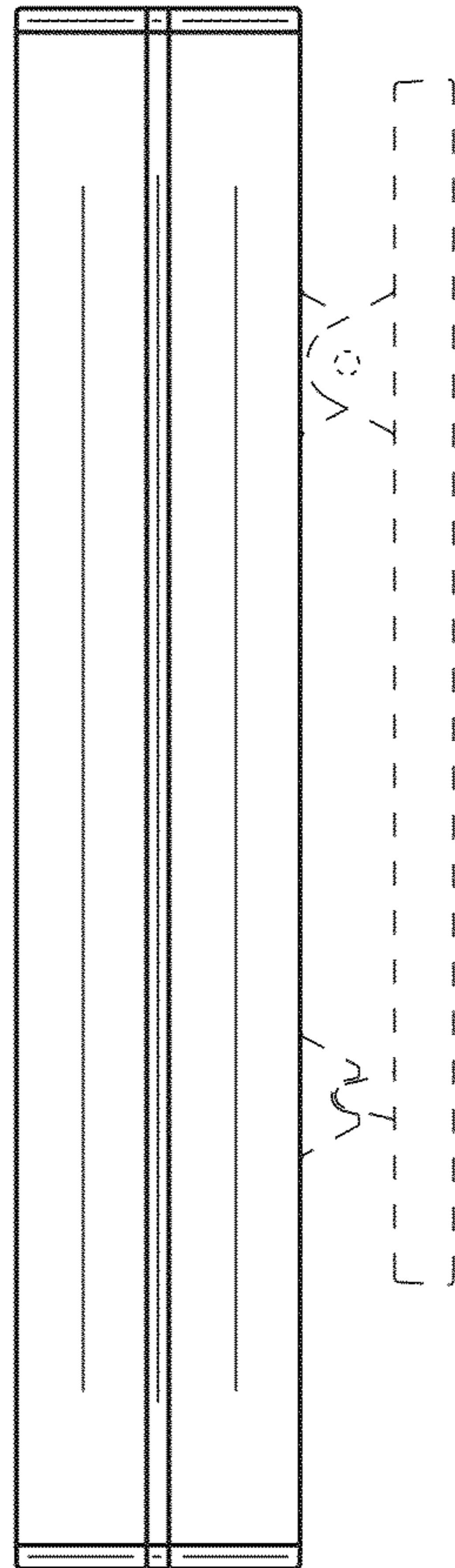


FIG. 6

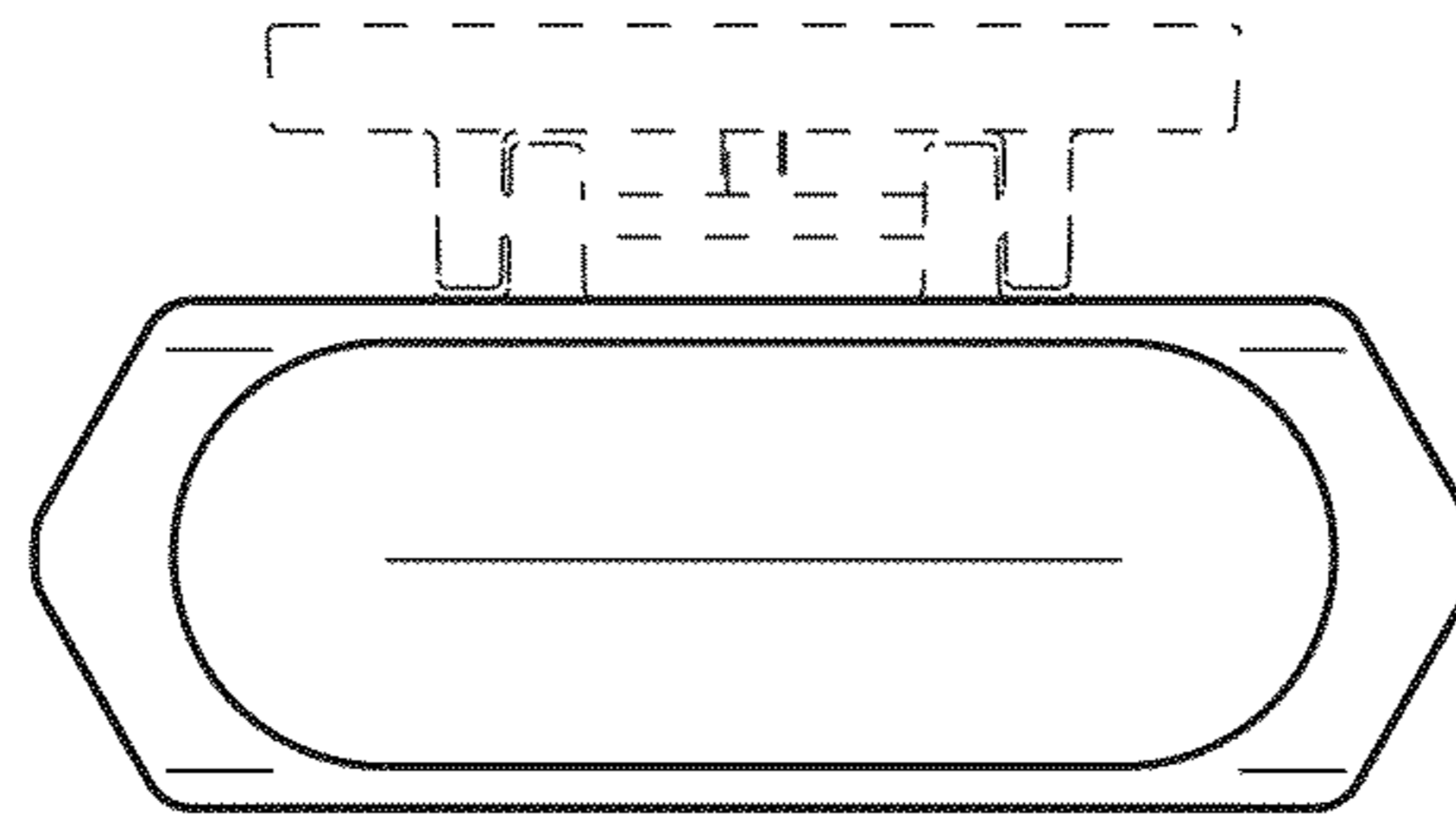


FIG. 7

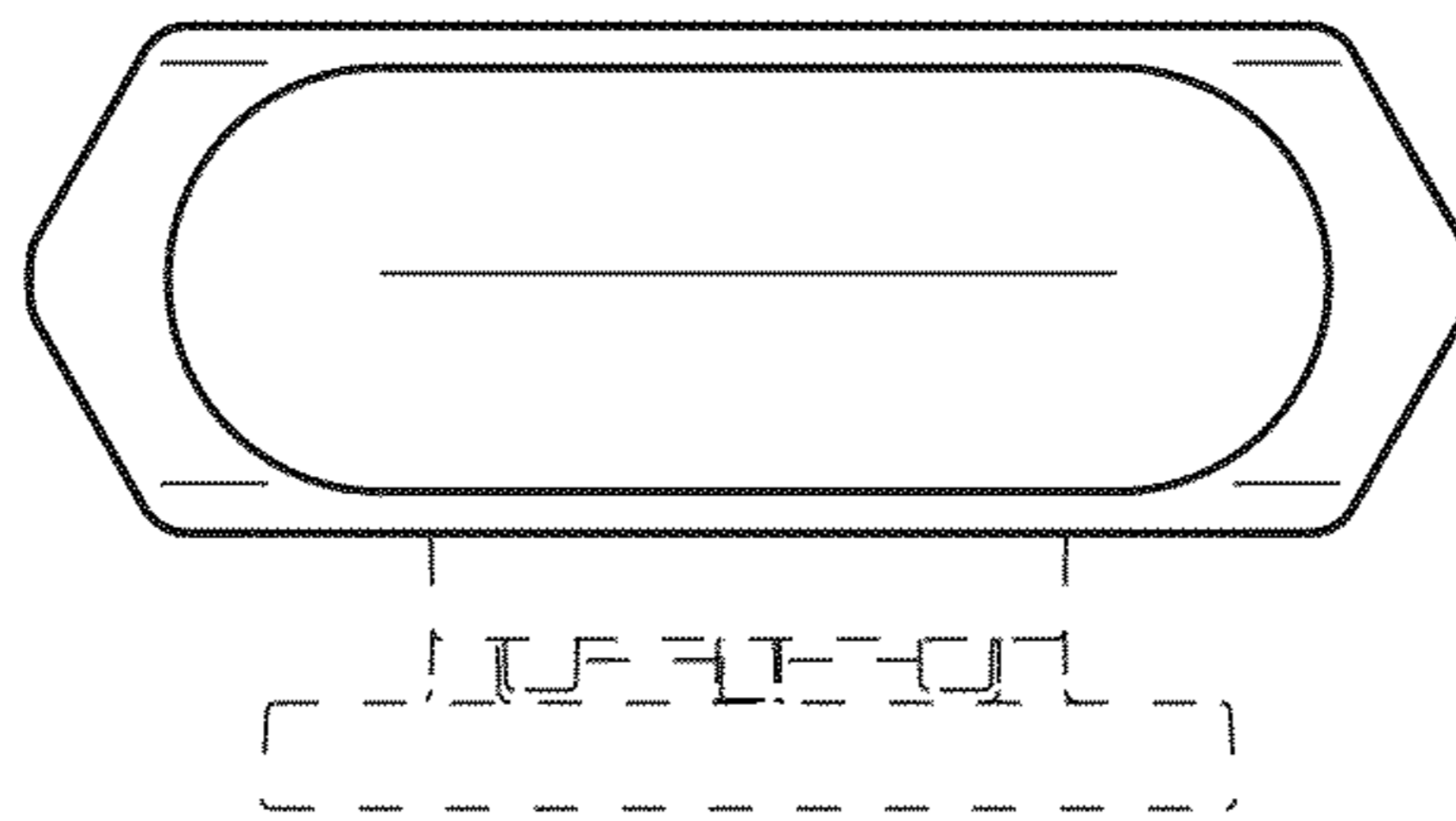


FIG. 8