



US00D754093S

(12) **United States Design Patent**
Cho

(10) **Patent No.:** **US D754,093 S**

(45) **Date of Patent:** **** Apr. 19, 2016**

(54) **SOUND DEVICE**

(71) Applicant: **Creative Technology Ltd**, Singapore
(SG)

(72) Inventor: **Mei San Gigi Cho**, Singapore (SG)

(73) Assignee: **Creative Technology Ltd**, Singapore
(SG)

(**) Term: **14 Years**

(21) Appl. No.: **29/500,351**

(22) Filed: **Aug. 25, 2014**

(30) **Foreign Application Priority Data**

Feb. 26, 2014 (SG) D2014/192/G

(51) **LOC (10) CL.** **14-03**

(52) **U.S. Cl.**
USPC **D14/188; D14/204**

(58) **Field of Classification Search**

USPC D14/167, 168, 170–172, 188, 194,
D14/203.1–203.3, 204, 207, 209.1,
D14/210–217, 221, 222, 224, 496; 181/143,
181/144, 148, 153, 157, 198, 199;
369/6–12; 381/300–303, 306, 332,
381/333, 336, 345, 361–364, 366, 386–388
CPC A47B 81/06; H04R 1/02; H04R 1/021;
H04R 19/013; H04R 2420/07; H05K 5/00

See application file for complete search history.

(56) **References Cited**

U.S. PATENT DOCUMENTS

D465,777 S * 11/2002 Hisatsune D14/204
D471,892 S * 3/2003 Jordan D14/212
D480,705 S * 10/2003 Jordan D14/212
D486,470 S * 2/2004 Hakoda D14/171
D519,487 S * 4/2006 Knight D14/188
D552,081 S * 10/2007 Yano D13/110

OTHER PUBLICATIONS

Cambridge Soundworks the OontZ Angle Ultra-Portable Wireless Bluetooth Speaker, announced Aug. 2013, [online], site visited Nov. 12, 2015. Available from Internet, <URL: <http://www.amazon.ca>>.*

* cited by examiner

Primary Examiner — Derrick Holland

Assistant Examiner — Janice Lim

(74) *Attorney, Agent, or Firm* — Russell Swerdon; Desmond Gean

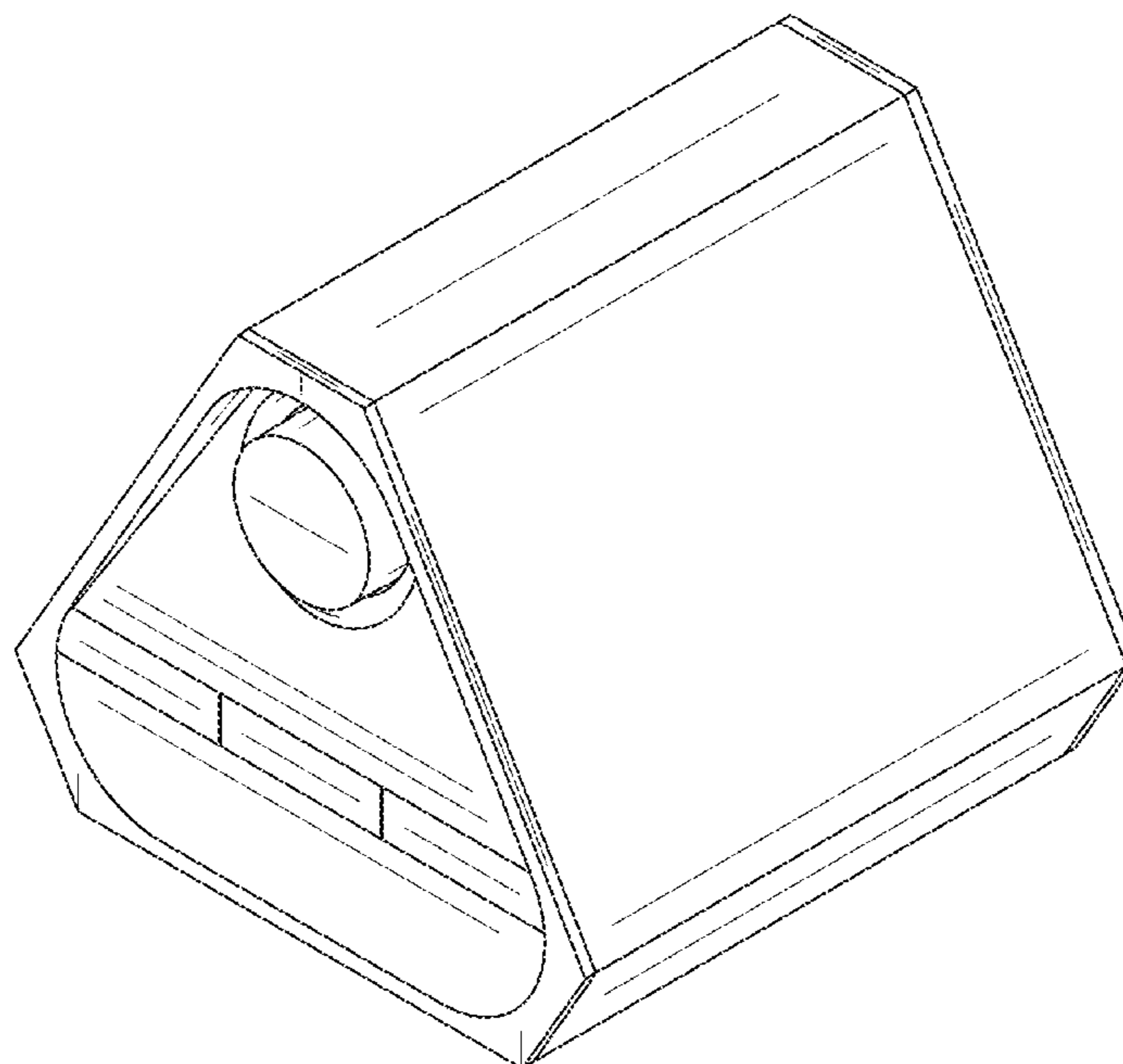
(57) **CLAIM**

The ornamental design for a sound device, substantially as shown and described.

DESCRIPTION

FIG. 1 is a front top right side perspective view of a sound device showing our new design;
FIG. 2 is a rear top left side perspective view thereof;
FIG. 3 is a front elevational view thereof;
FIG. 4 is a rear elevational view thereof;
FIG. 5 is a left side elevational view thereof;
FIG. 6 is a right side elevational view thereof;
FIG. 7 is a top plan view thereof; and,
FIG. 8 is a bottom plan view thereof.

1 Claim, 8 Drawing Sheets



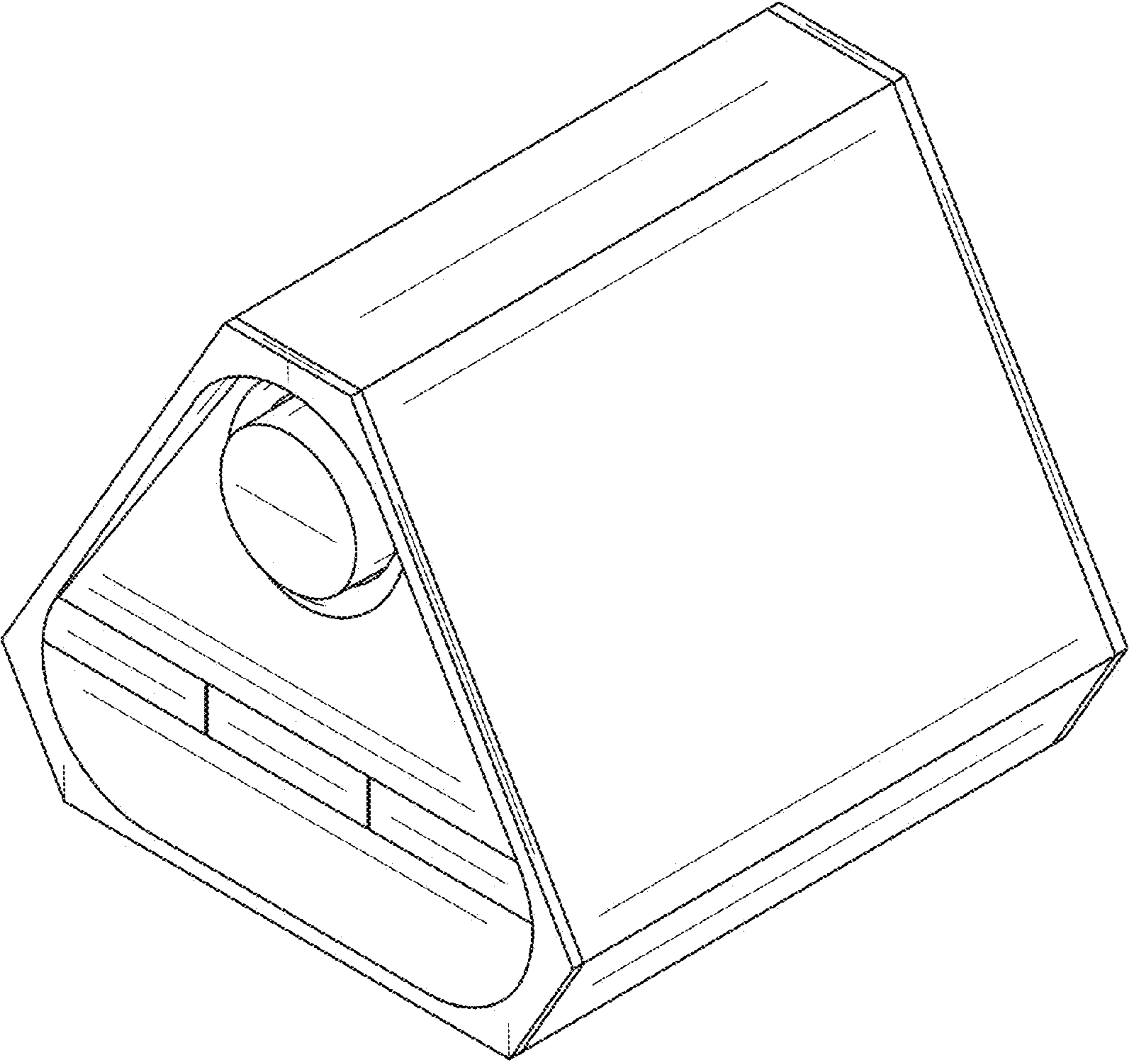


FIG. 1

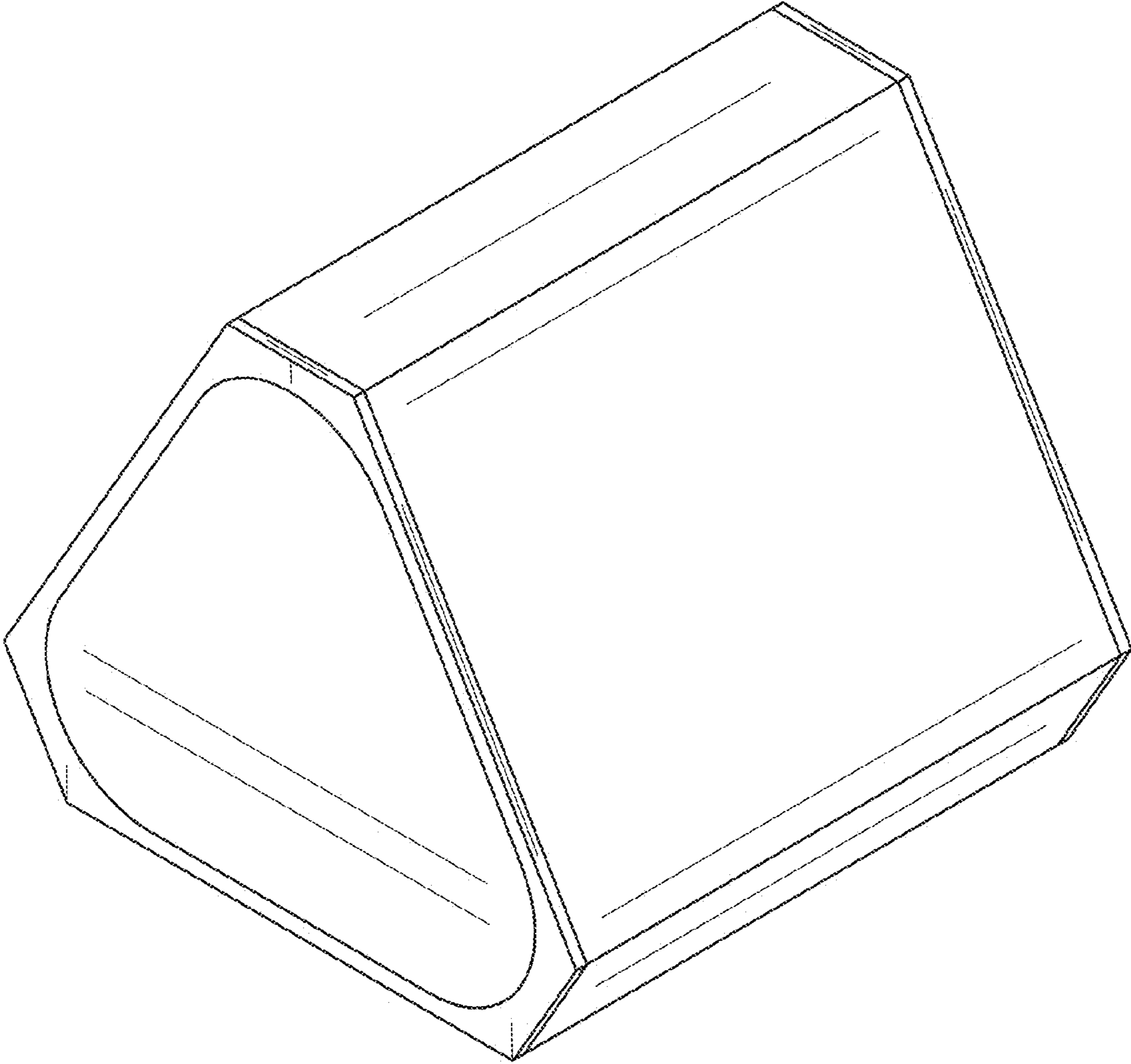


FIG. 2

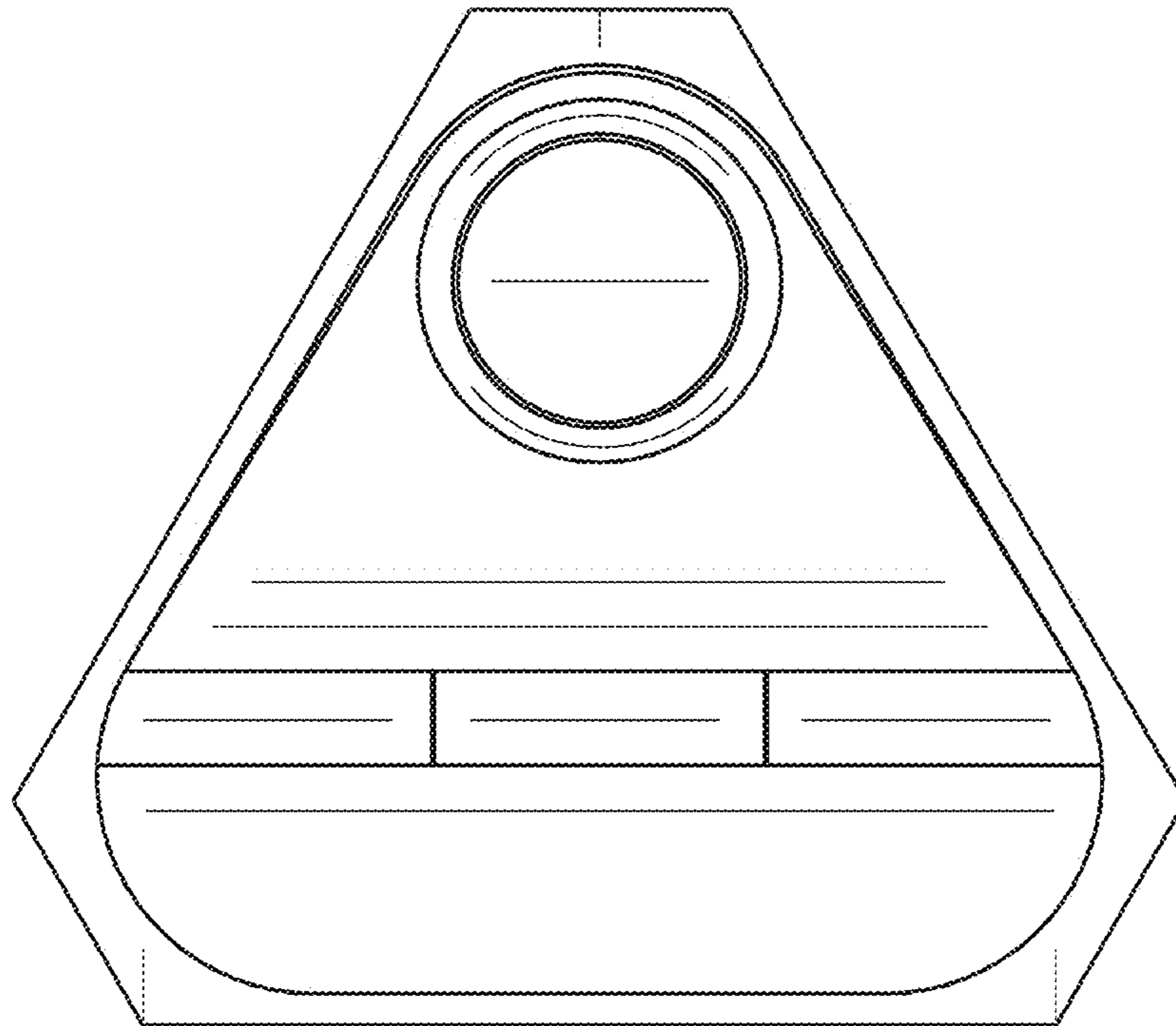


FIG. 3

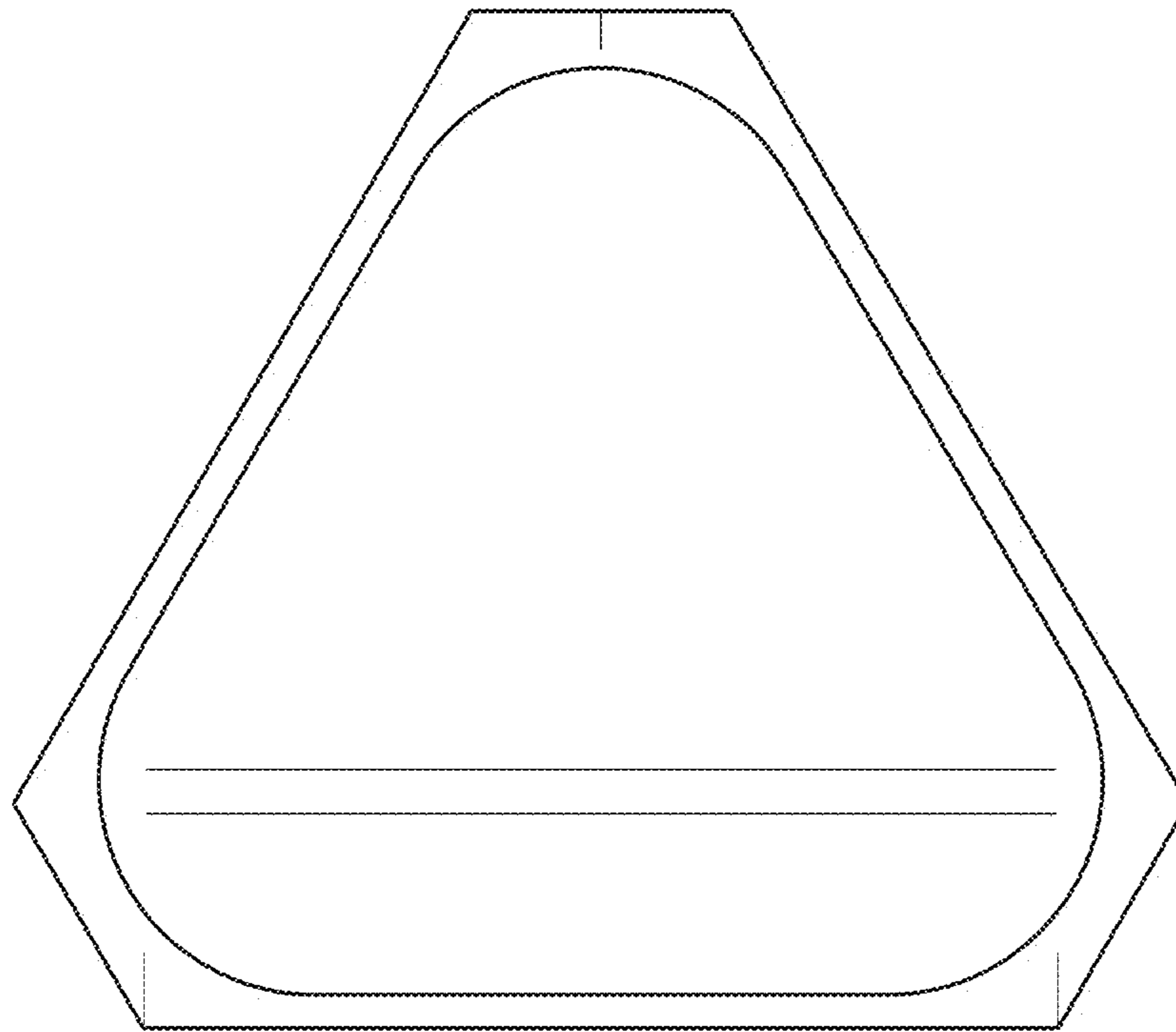


FIG. 4

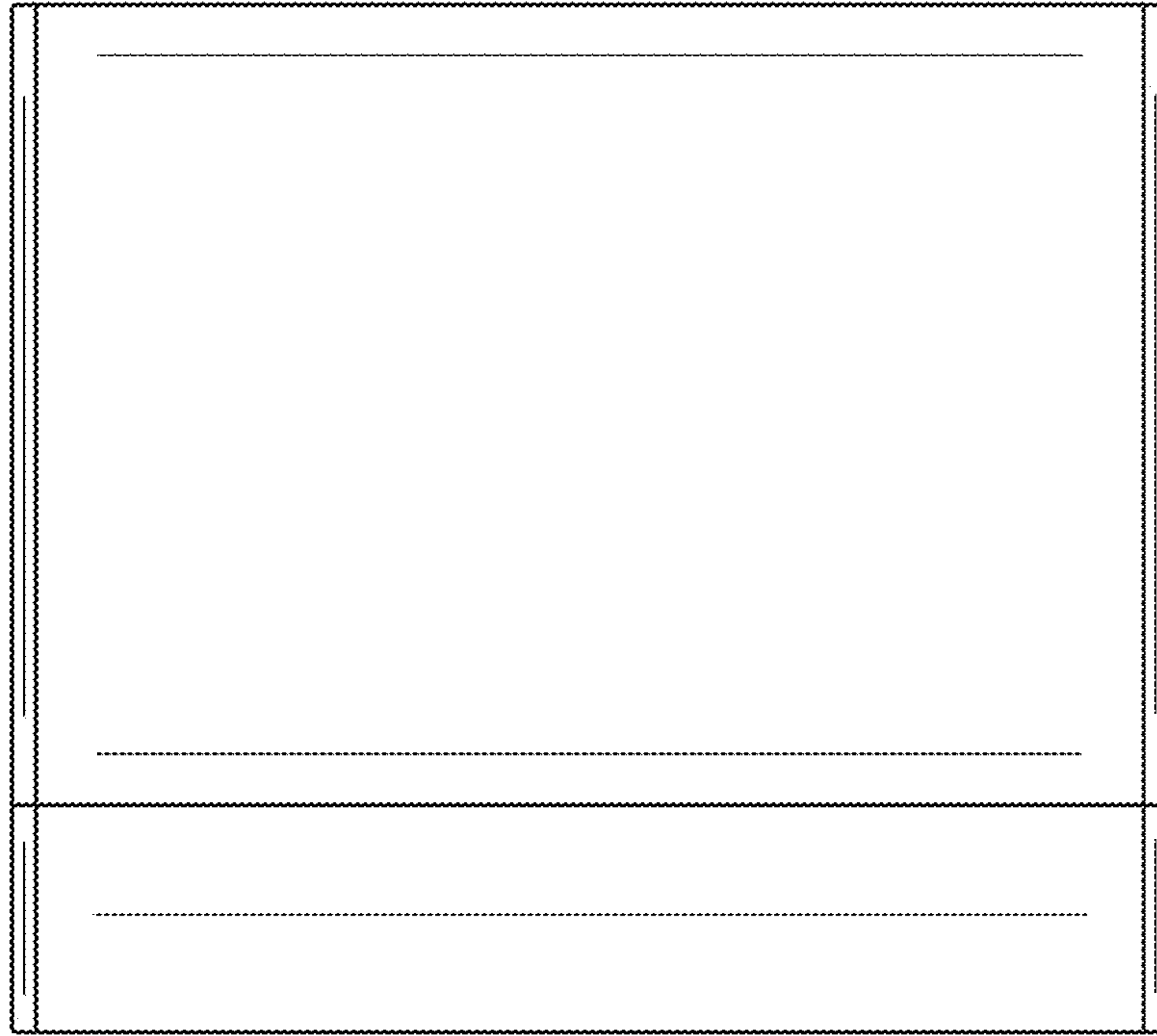


FIG. 5

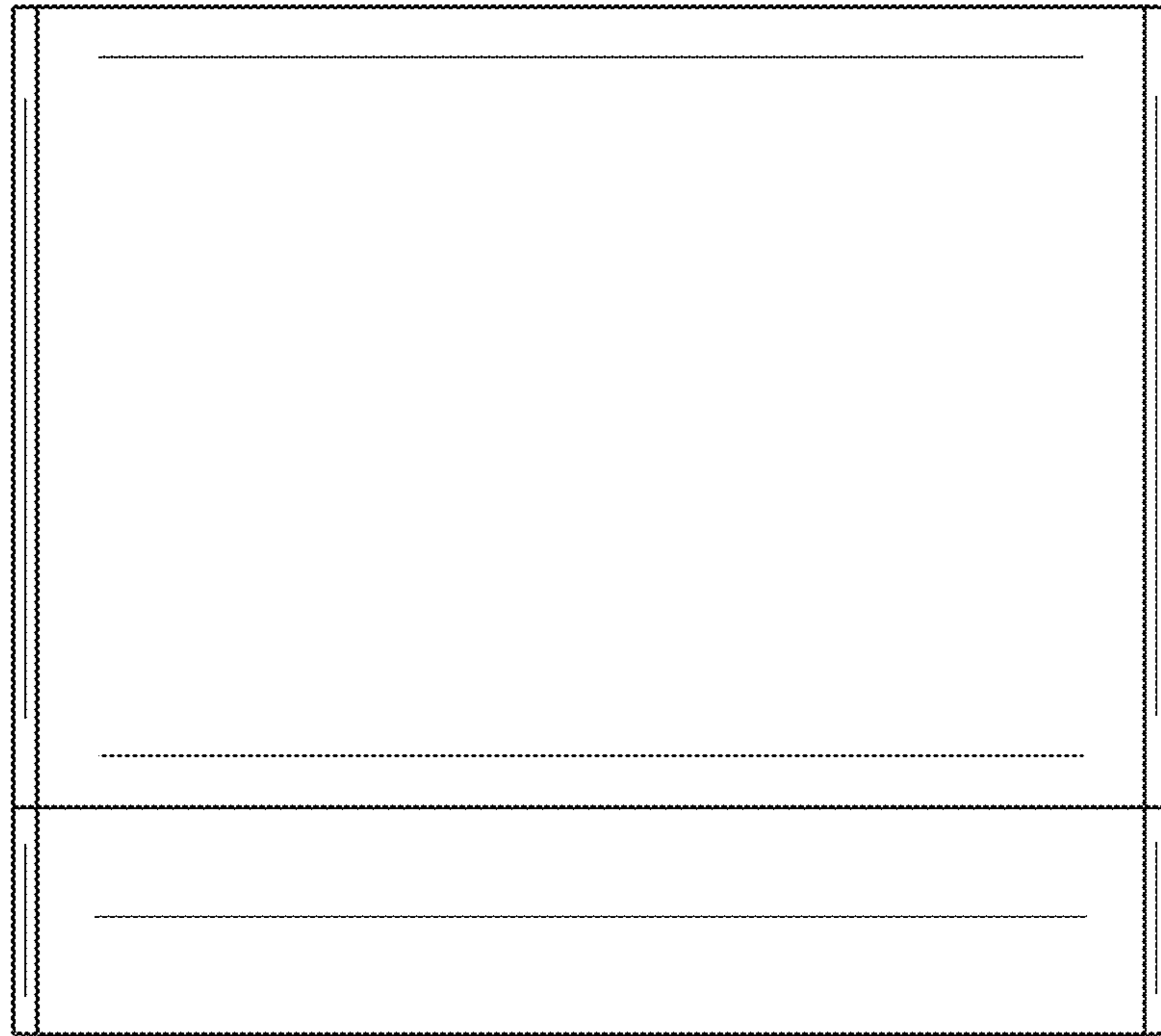


FIG. 6

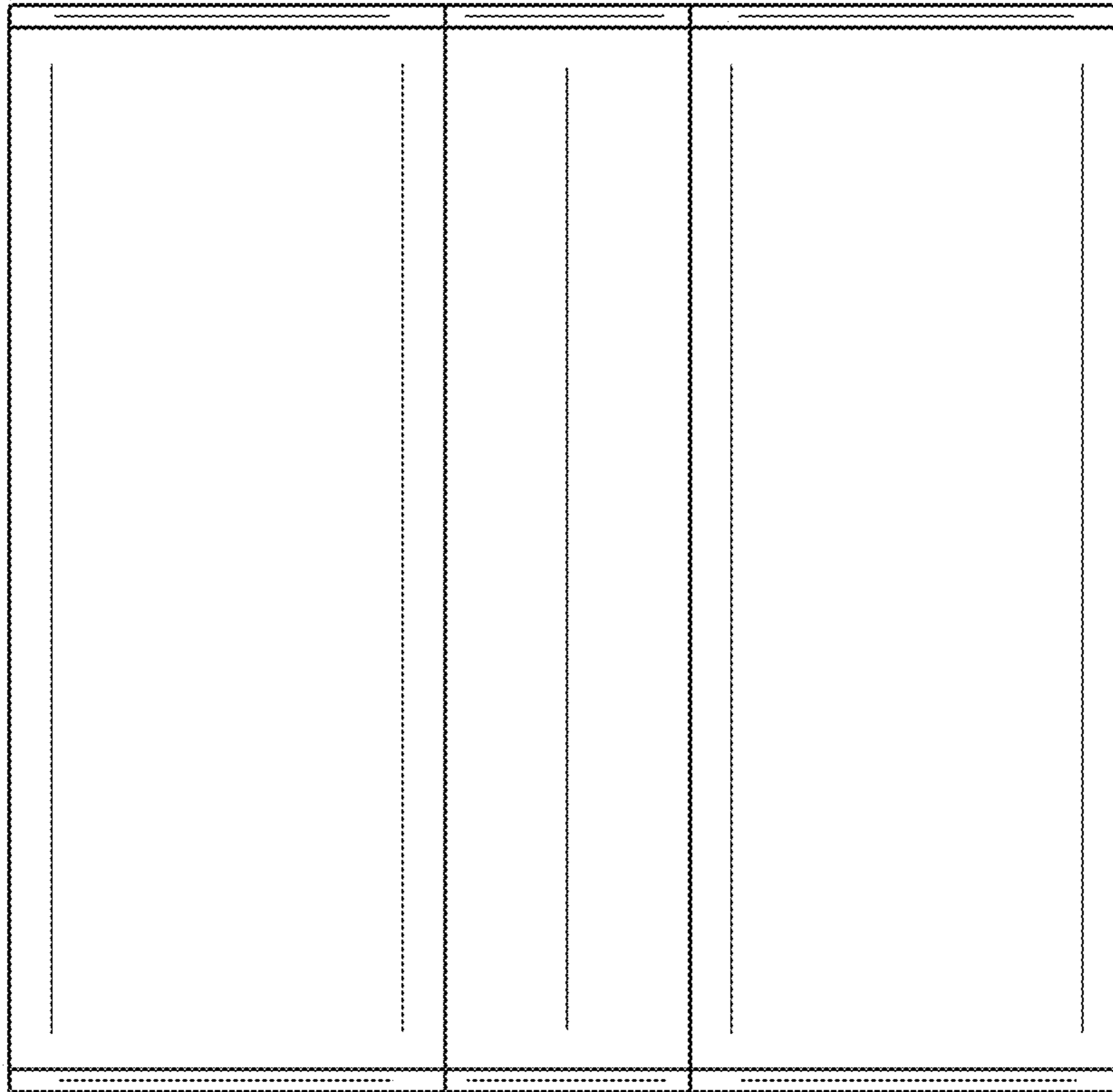


FIG. 7

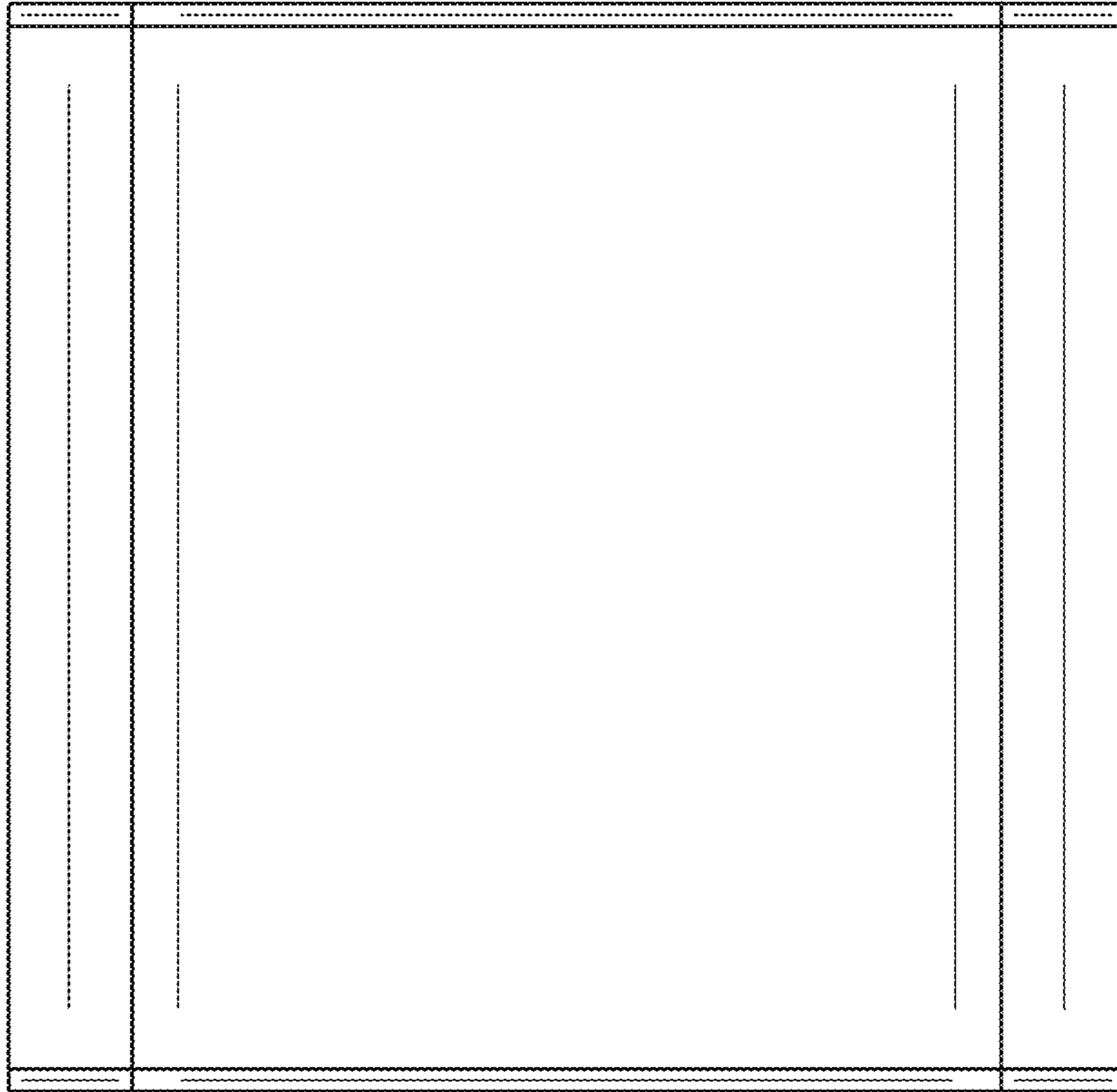


FIG. 8