



US00D754091S

(12) **United States Design Patent**
Ookawa et al.

(10) **Patent No.:** **US D754,091 S**
(45) **Date of Patent:** **** Apr. 19, 2016**

(54) **TELEPHONE HANDSET WITH BASE UNIT**

(56) **References Cited**

(71) Applicant: **Panasonic Intellectual Property Management Co., Ltd.**, Osaka-shi, Osaka (JP)

U.S. PATENT DOCUMENTS

D190,810 S * 7/1961 Dreyfuss et al. D14/147
D196,921 S * 11/1963 Mattke 379/433.01
D257,977 S * 1/1981 Blomberg D14/148
D271,871 S * 12/1983 Shimizu D14/148
D275,853 S 10/1984 Marshall

(72) Inventors: **Takayuki Ookawa**, Osaka (JP);
Masashi Furuno, Osaka (JP);
Innocenzo Rifino, Milan (IT); **Diego Rossi**, Piacenza (IT)

(Continued)

(73) Assignee: **PANASONIC INTELLECTUAL PROPERTY MANAGEMENT CO., LTD.**, Osaka (JP)

FOREIGN PATENT DOCUMENTS

JP D1106970 S 4/2001

Primary Examiner — Susan Bennett Hattan

Assistant Examiner — Marie Fast Horse

(**) Term: **14 Years**

(74) *Attorney, Agent, or Firm* — Brinks Gilson & Lione

(21) Appl. No.: **29/512,700**

(57) **CLAIM**

The ornamental design for a telephone handset with base unit, as shown and described.

(22) Filed: **Dec. 22, 2014**

DESCRIPTION

(30) **Foreign Application Priority Data**

Jun. 25, 2014 (JP) 2014-013812

(51) **LOC (10) Cl.** **14-03**

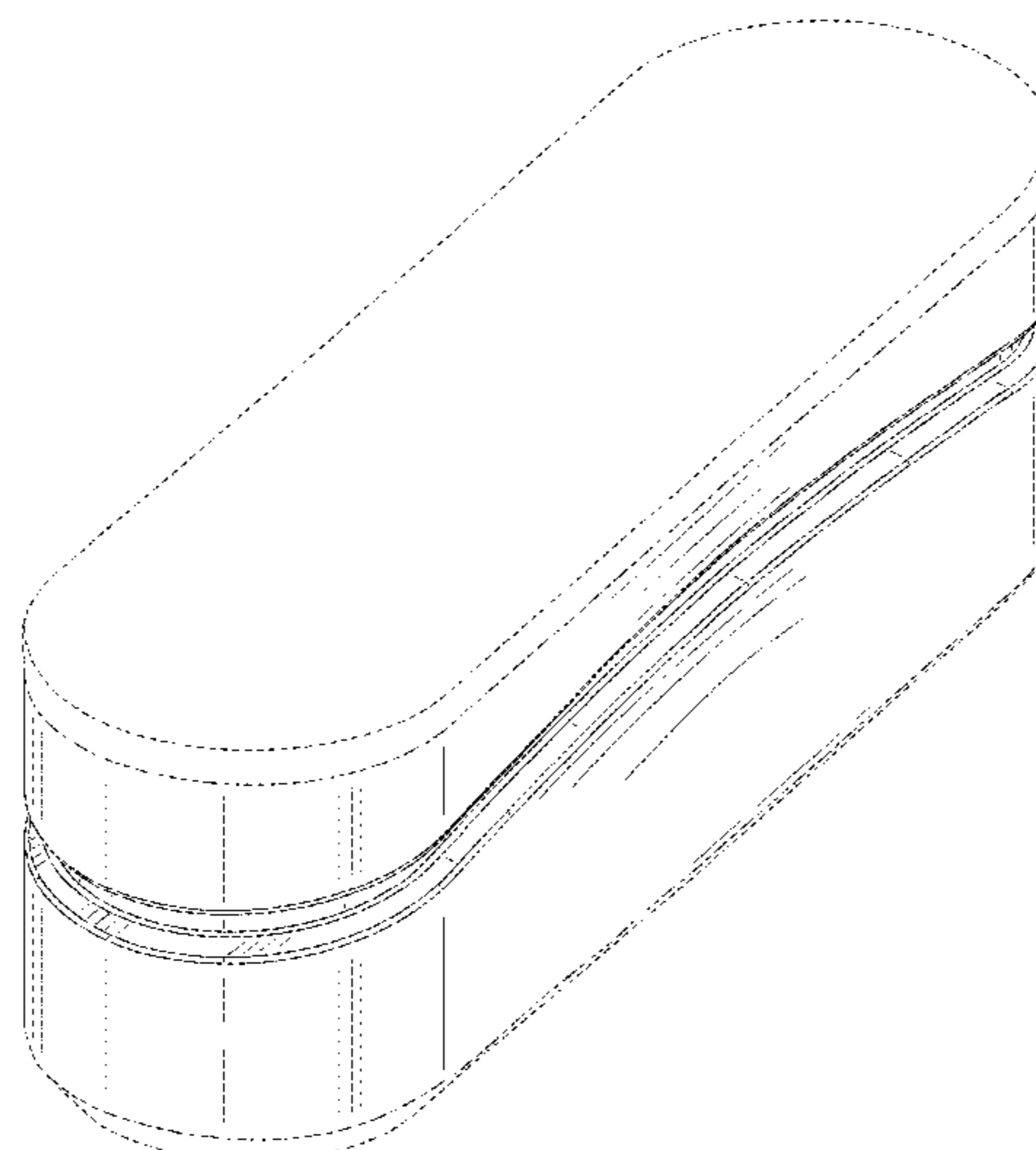
(52) **U.S. Cl.**
USPC **D14/148**

(58) **Field of Classification Search**
USPC D14/140, 140.1, 140.7, 140.8, 141.2,
D14/142, 147–149, 151, 150, 240, 248, 251,
D14/253, 130, 144, 155, 158, 159, 188, 217,
D14/226, 229, 252, 331, 399, 329;
D21/517; 455/557, 575.1, 74.1;
710/303; D13/107, 108, 168;
379/88.17, 90.01, 93.17, 387.01,
379/388.02, 419–420.04, 420.02,
379/428.01–428.04, 434–436, 440,
379/446–447, 454–455, 93.23; D10/104.1
CPC H04M 1/00; H04M 1/003; H04M 1/02;
H04M 1/03; H04M 1/04

See application file for complete search history.

FIG. 1 is a top perspective view of a telephone handset with base unit of the present invention;
FIG. 2 is a top view thereof;
FIG. 3 is a bottom view thereof;
FIG. 4 is a first side view thereof;
FIG. 5 is a second side view thereof;
FIG. 6 is a front view thereof;
FIG. 7 is a rear view thereof;
FIG. 8 is a bottom perspective view of the top portion thereof, in a separated condition for use;
FIG. 9 is a top perspective view of the top portion thereof, in a separated condition for use; and,
FIG. 10 is a top perspective view of the bottom portion thereof, in a separated condition for use.
The broken lines shown depict portions of the telephone handset with base unit that form no part of the claimed design which extends to the uneven broken lines but does not include the uneven broken lines. The unevenly broken lines in the drawings define the bounds of the claimed design.

1 Claim, 10 Drawing Sheets



(56)

References Cited

U.S. PATENT DOCUMENTS

D278,531 S 4/1985 McGarvey et al.
 D280,987 S * 10/1985 Todeschini D14/153
 D282,542 S 2/1986 Mo
 D282,737 S * 2/1986 Huang D14/143
 D283,420 S * 4/1986 Reichenstein 455/462
 D285,198 S * 8/1986 Danielson D14/142
 D285,790 S * 9/1986 Harrison D14/148
 D287,362 S 12/1986 Rittenhouse et al.
 D287,493 S * 12/1986 Young D14/148
 D287,964 S 1/1987 Perkins
 D289,755 S * 5/1987 Todeschini D14/153
 D297,636 S 9/1988 Armani
 D297,732 S * 9/1988 Chan D14/149
 D298,827 S 12/1988 Miozzo
 D298,828 S 12/1988 Miozzo

D299,026 S * 12/1988 Iino D14/148
 D299,644 S 1/1989 Ohta et al.
 D300,317 S * 3/1989 Yoshiharu D14/143
 D301,874 S 6/1989 Roegner
 D340,714 S * 10/1993 Hoffman D14/149
 D352,028 S * 11/1994 Siddoway D14/138 AA
 D354,061 S * 1/1995 Desbarats D14/248
 D361,330 S * 8/1995 Solomita D14/148
 D376,594 S * 12/1996 Hogg D14/138 AA
 D377,935 S * 2/1997 Fink D14/150
 D385,556 S * 10/1997 Diamantis D14/147
 D386,176 S * 11/1997 Diamantis D14/149
 D403,678 S * 1/1999 Hawley D14/148
 D416,016 S * 11/1999 Hughes D14/147
 D470,118 S * 2/2003 Miles D14/144
 D589,928 S 4/2009 Haspil et al.
 D650,767 S * 12/2011 Lu D14/148

* cited by examiner

FIG. 1

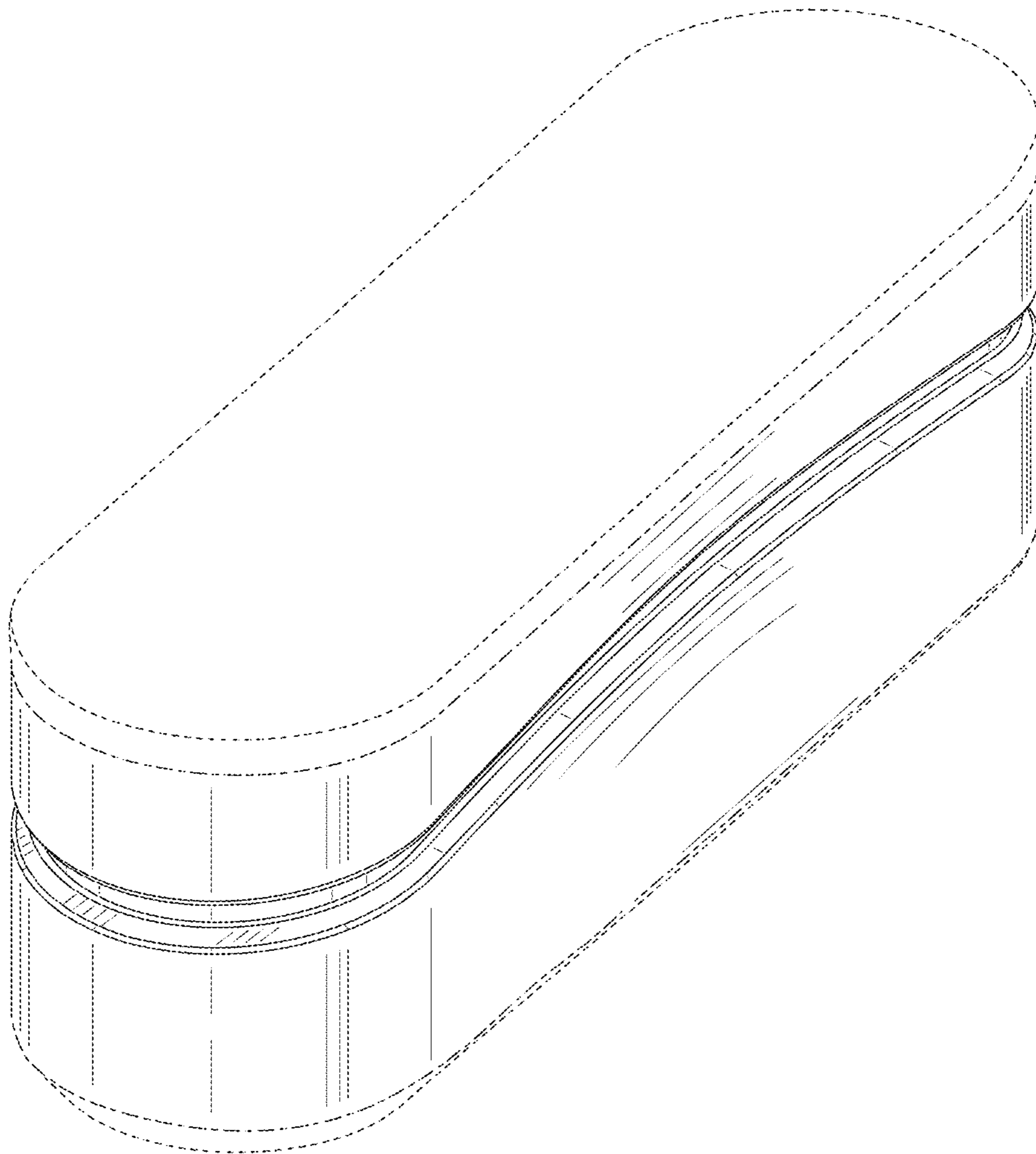


FIG.2

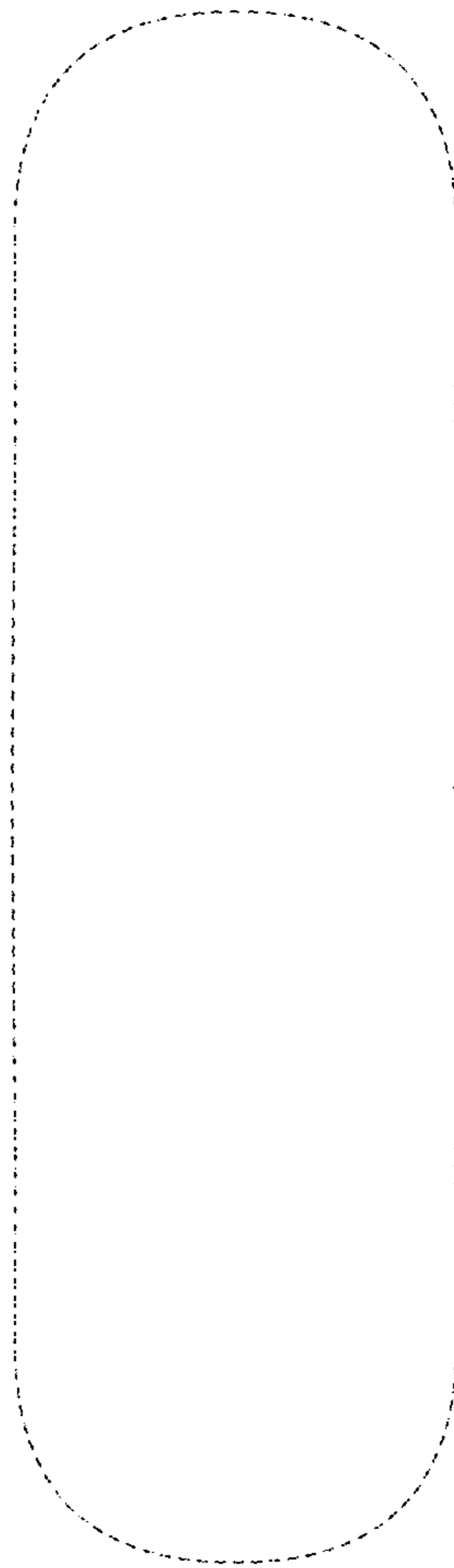


FIG.3

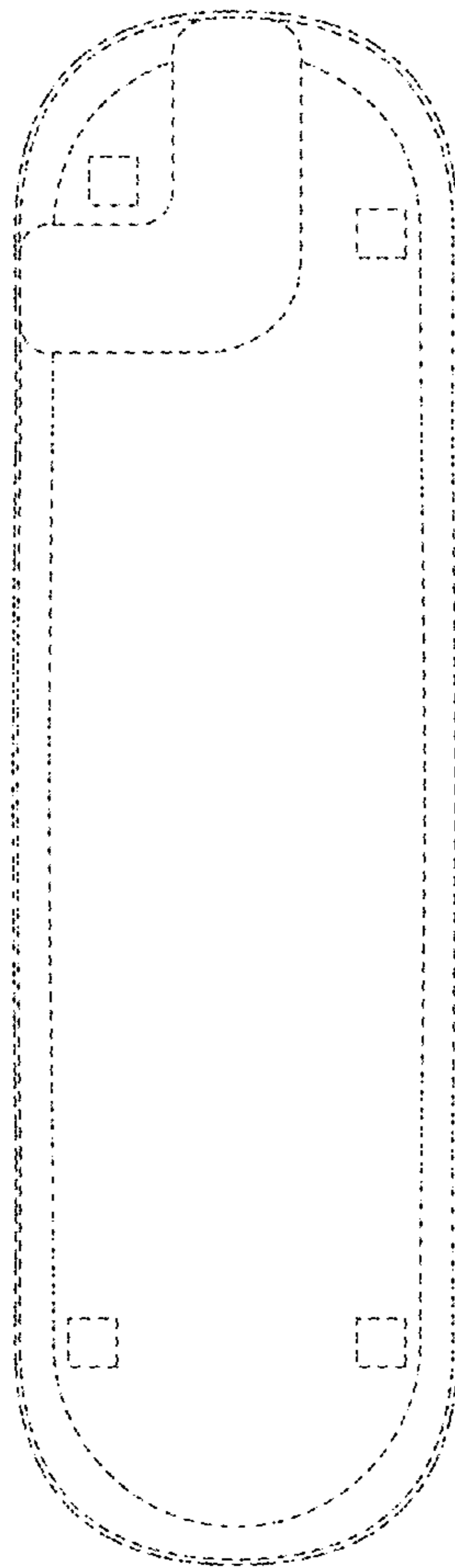


FIG.4

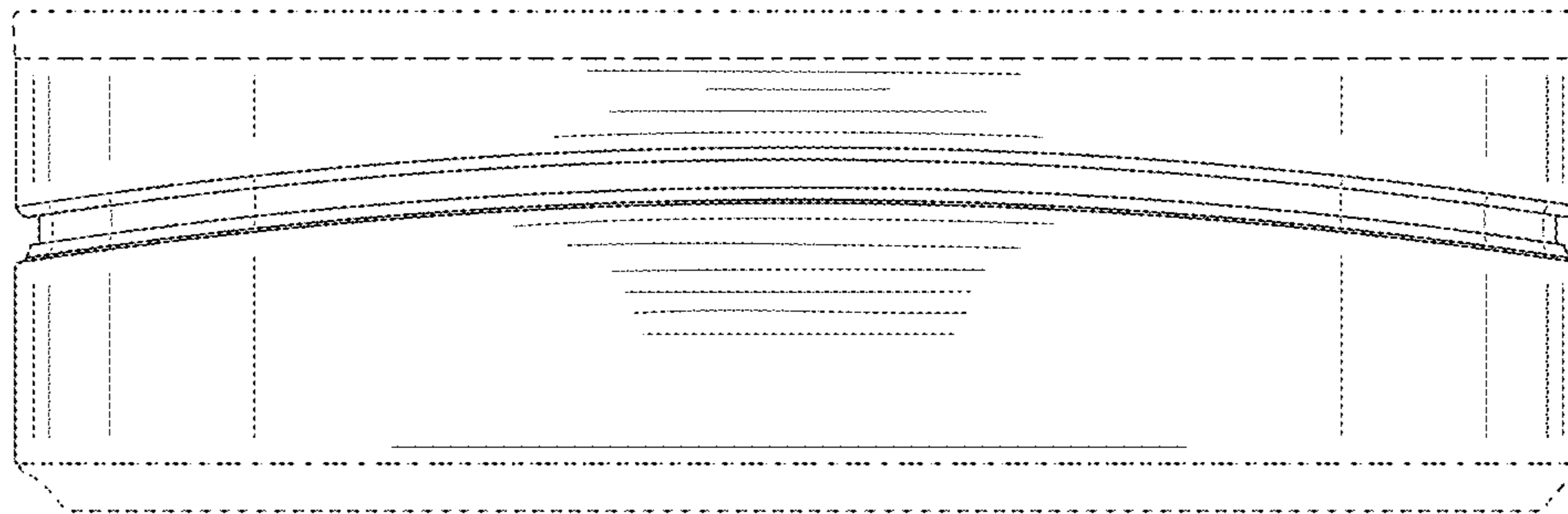


FIG.5

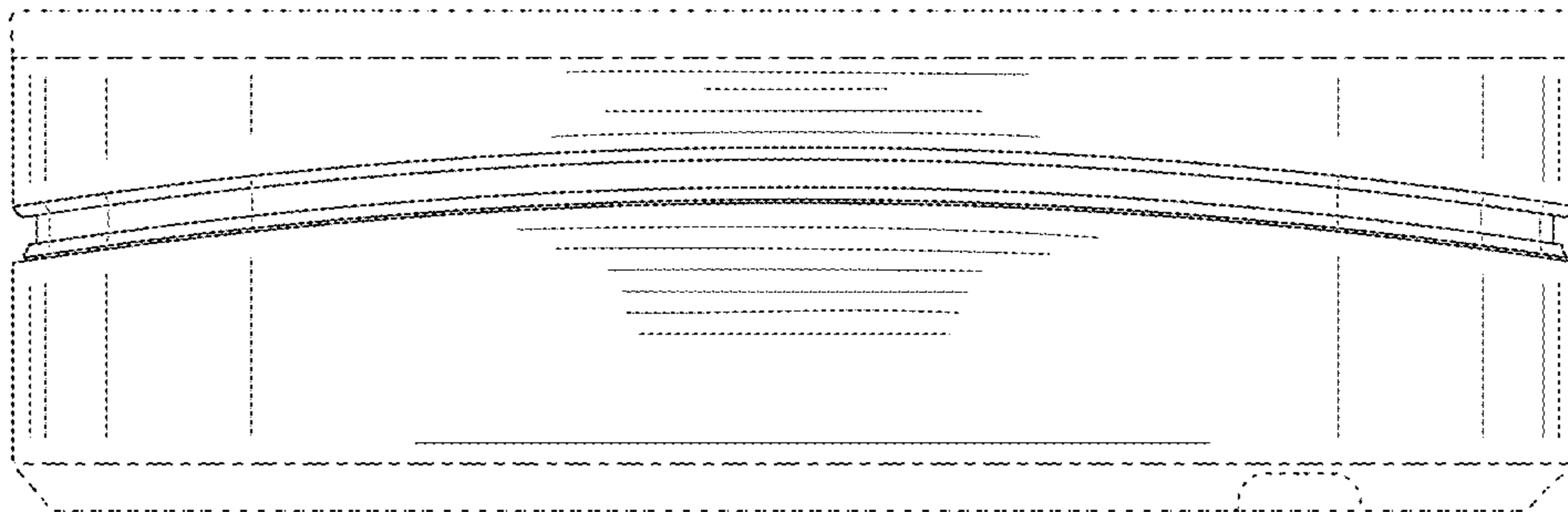


FIG.6

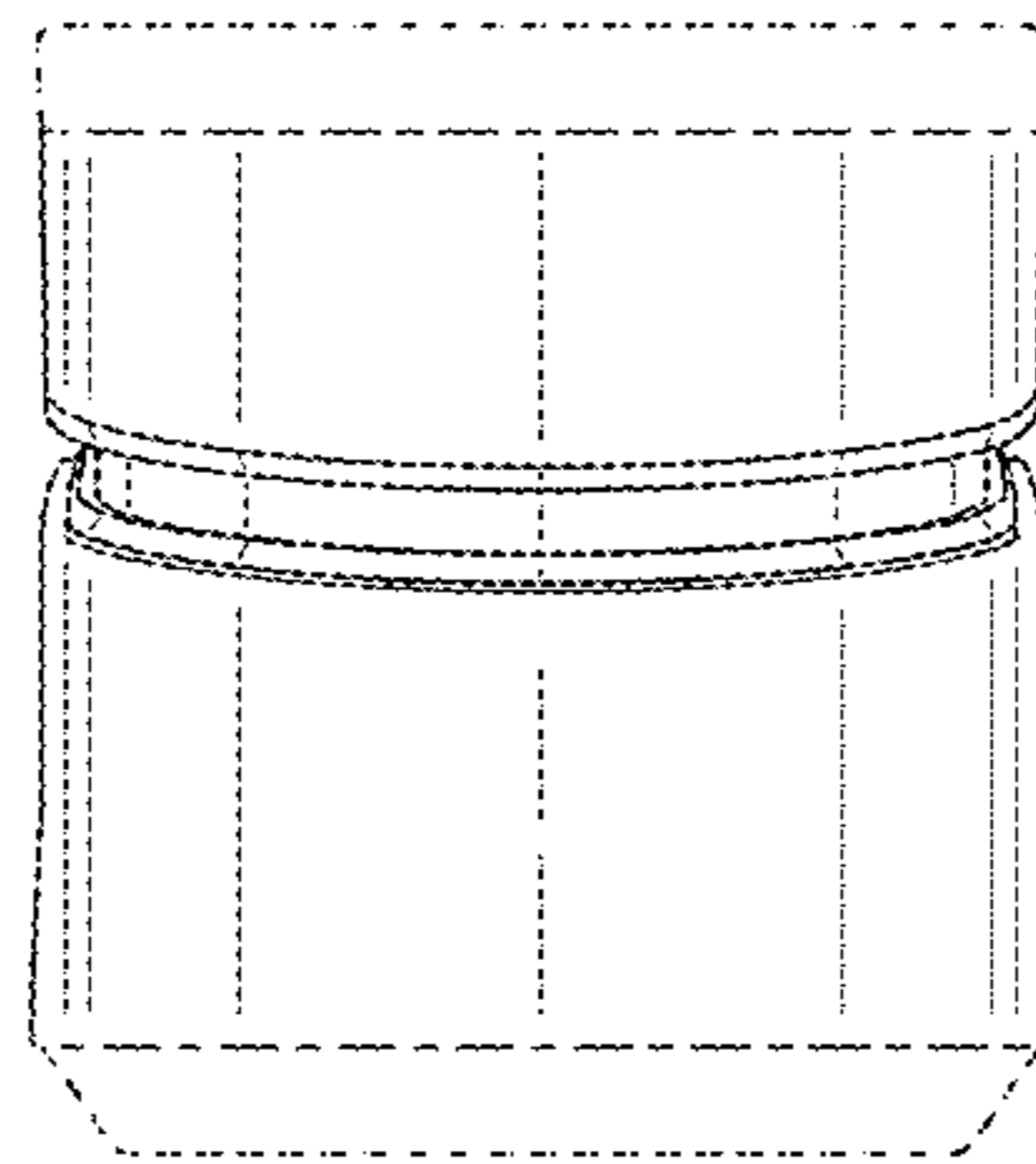


FIG. 7

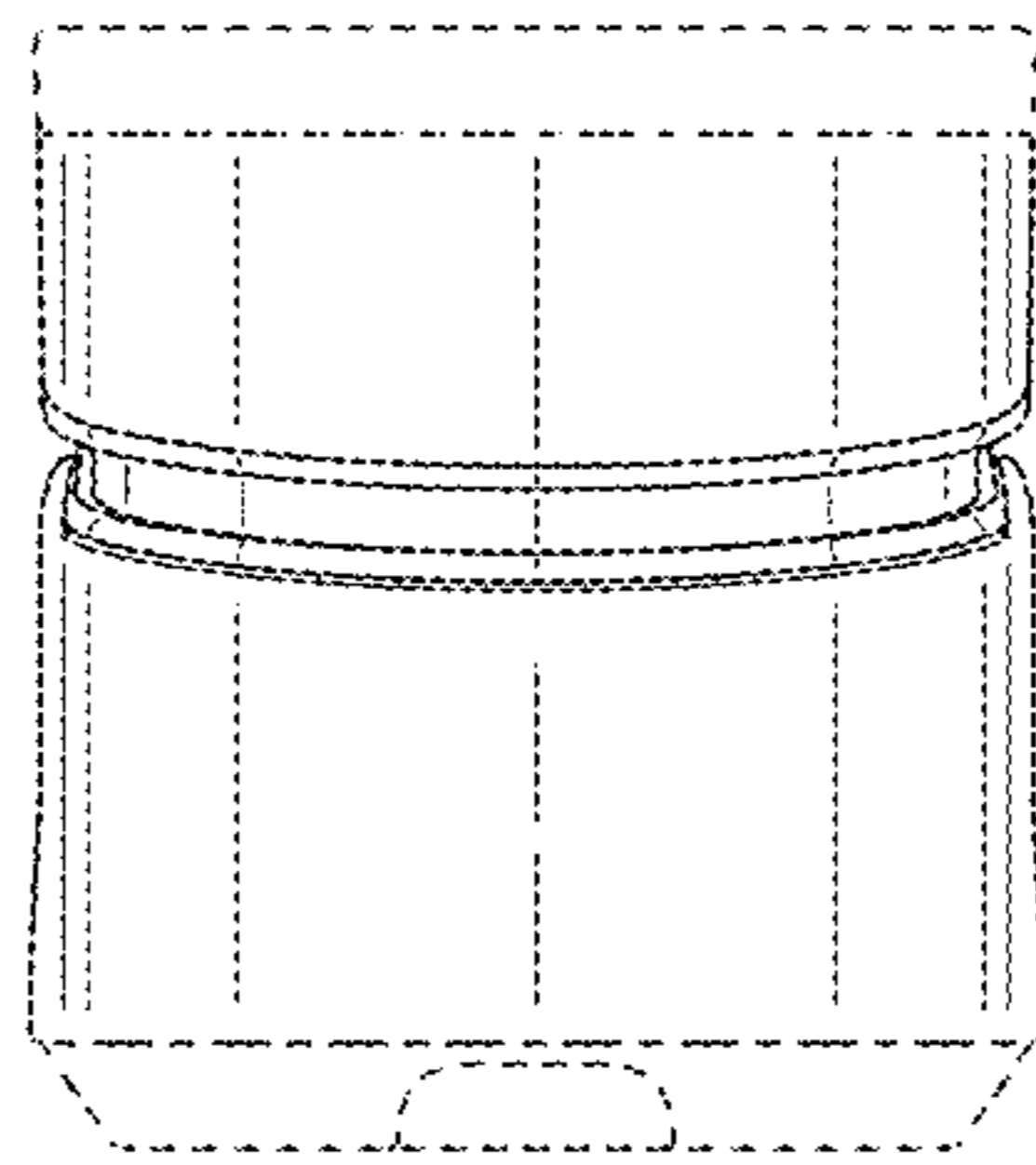


FIG. 8

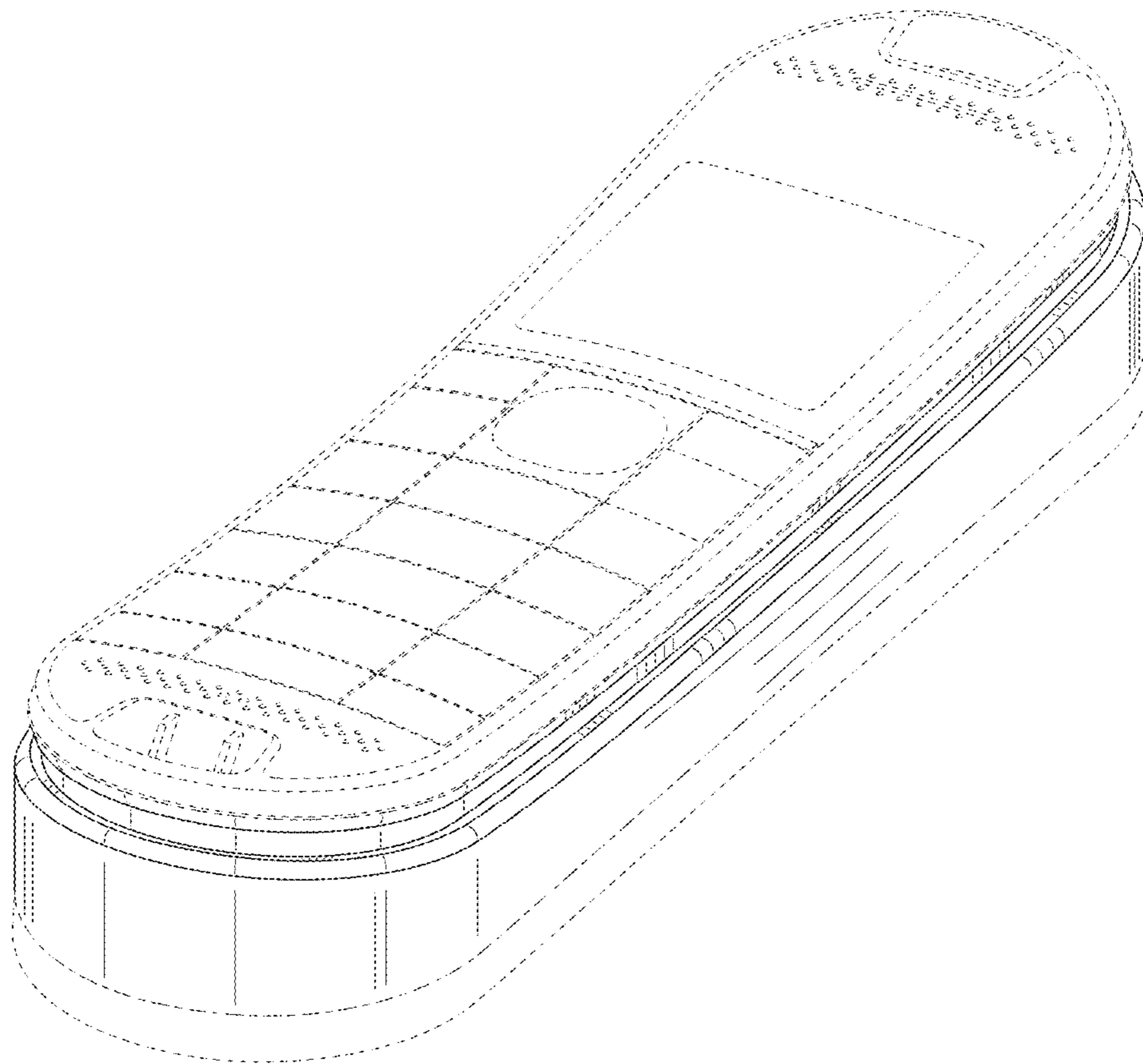


FIG. 9

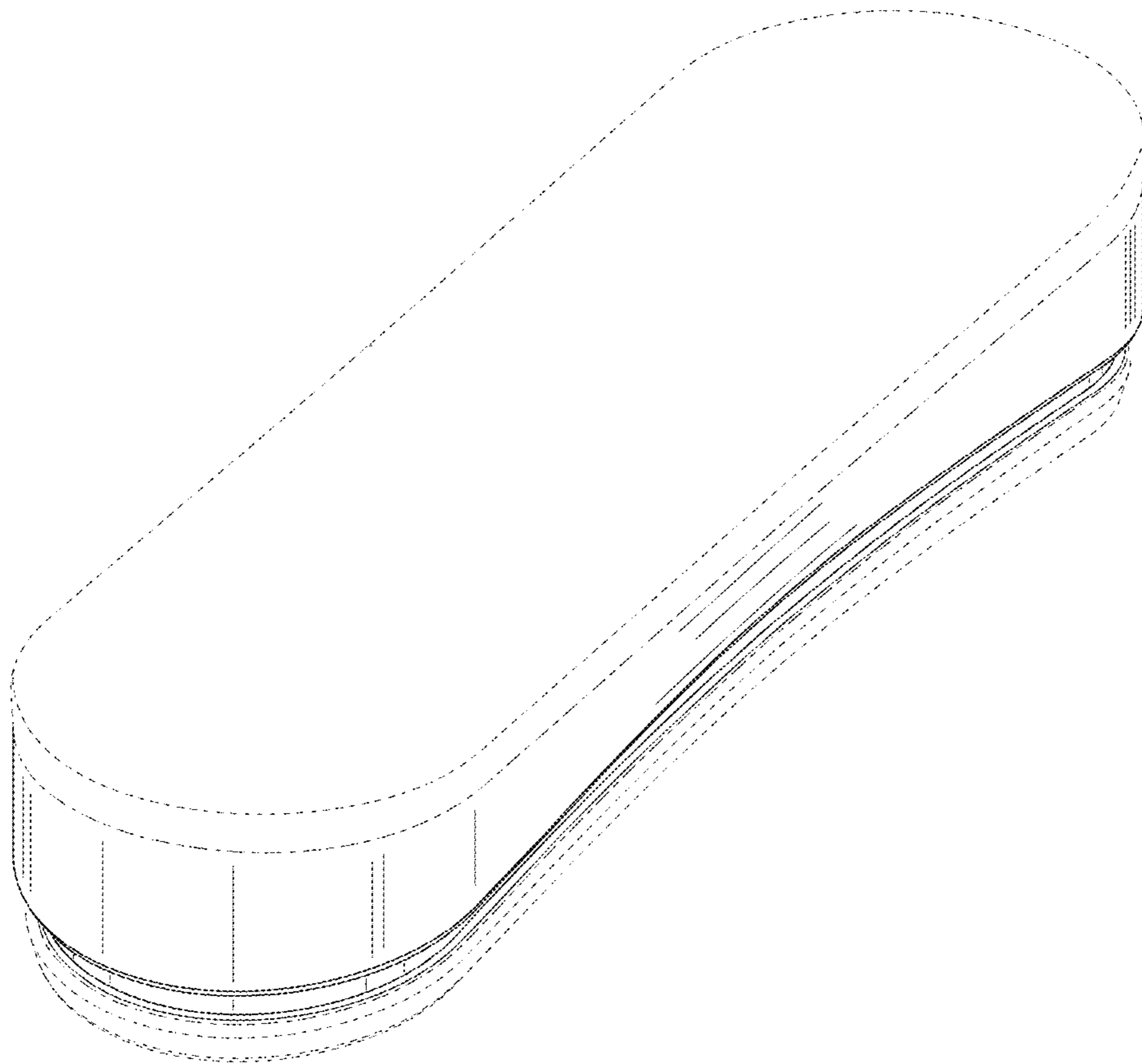


FIG. 10

