



US00D754079S

(12) **United States Design Patent**
Baldwin et al.

(10) **Patent No.:** **US D754,079 S**

(45) **Date of Patent:** **** Apr. 19, 2016**

(54) **ELECTRICAL BOX**

(71) Applicants: **Jeffrey Baldwin**, Desert Hills, AZ (US);
John Klein, Gilbert, AZ (US); **Ryan Liebengood**, Gilbert, AZ (US)

(72) Inventors: **Jeffrey Baldwin**, Desert Hills, AZ (US);
John Klein, Gilbert, AZ (US); **Ryan Liebengood**, Gilbert, AZ (US)

(**) Term: **14 Years**

(21) Appl. No.: **29/508,119**

(22) Filed: **Nov. 3, 2014**

(51) **LOC (10) Cl.** **13-03**

(52) **U.S. Cl.**
USPC **D13/156**

(58) **Field of Classification Search**
USPC D13/133, 146, 152, 160, 173, 184, 199
CPC H01R 2103/00; H01R 13/502; H01R 3/00
See application file for complete search history.

(56) **References Cited**

U.S. PATENT DOCUMENTS

D227,989 S	7/1973	Geisel	
4,176,758 A	12/1979	Glick	
D329,840 S *	9/1992	Nociar	D13/146
D346,362 S	4/1994	Bouley	
D392,618 S *	3/1998	Fukao	D13/146
D478,872 S	8/2003	Heggem	
D493,773 S	8/2004	Hein	

6,827,229 B2	12/2004	Dinh et al.	
D502,687 S	3/2005	Sherman	
7,170,015 B1	1/2007	Roesch et al.	
D596,154 S *	7/2009	Rivkin	D13/184
D629,366 S	12/2010	Ericson et al.	
D646,224 S *	10/2011	Guo	D13/147
D647,060 S *	10/2011	Guo	D13/156
D699,687 S	2/2014	Baldwin et al.	
D701,175 S	3/2014	Baldwin et al.	
2012/0305868 A1	12/2012	Callahan et al.	

* cited by examiner

Primary Examiner — Michael A Pratt

(74) *Attorney, Agent, or Firm* — Ryan Liebengood

(57) **CLAIM**

We claim the ornamental design for an electrical box, as shown and described.

DESCRIPTION

FIG. 1 is a perspective view an electrical box showing our design;

FIG. 2 is a front elevational view thereof;

FIG. 3 is a rear elevational view thereof;

FIG. 4 is a left side elevational view thereof;

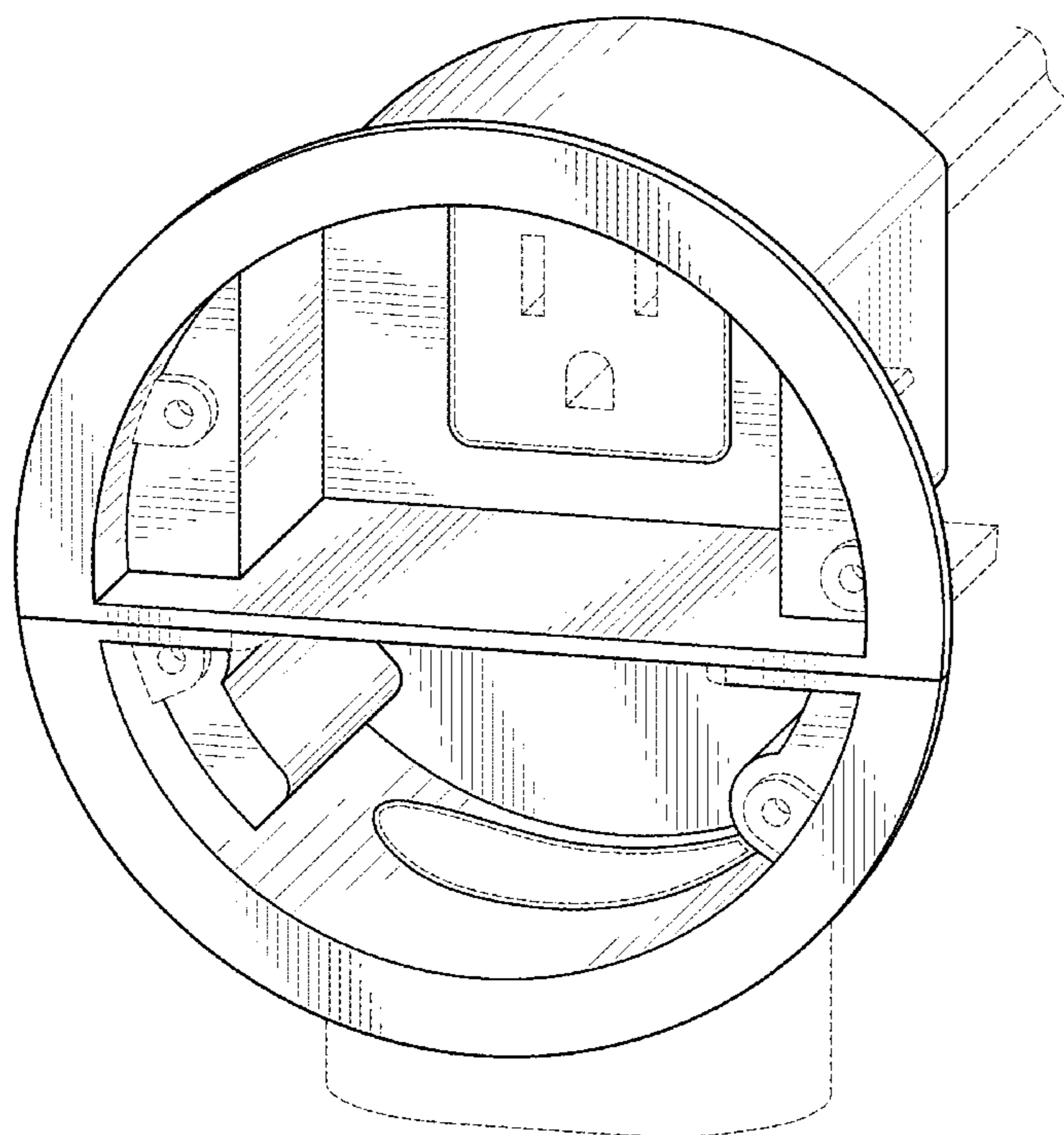
FIG. 5 is a right side elevational view thereof;

FIG. 6 is a top plan view thereof; and,

FIG. 7 is a bottom plan view thereof.

The broken lines shown in the Figures are included for the purpose of illustrating environmental features and form no part of the claimed design.

1 Claim, 7 Drawing Sheets



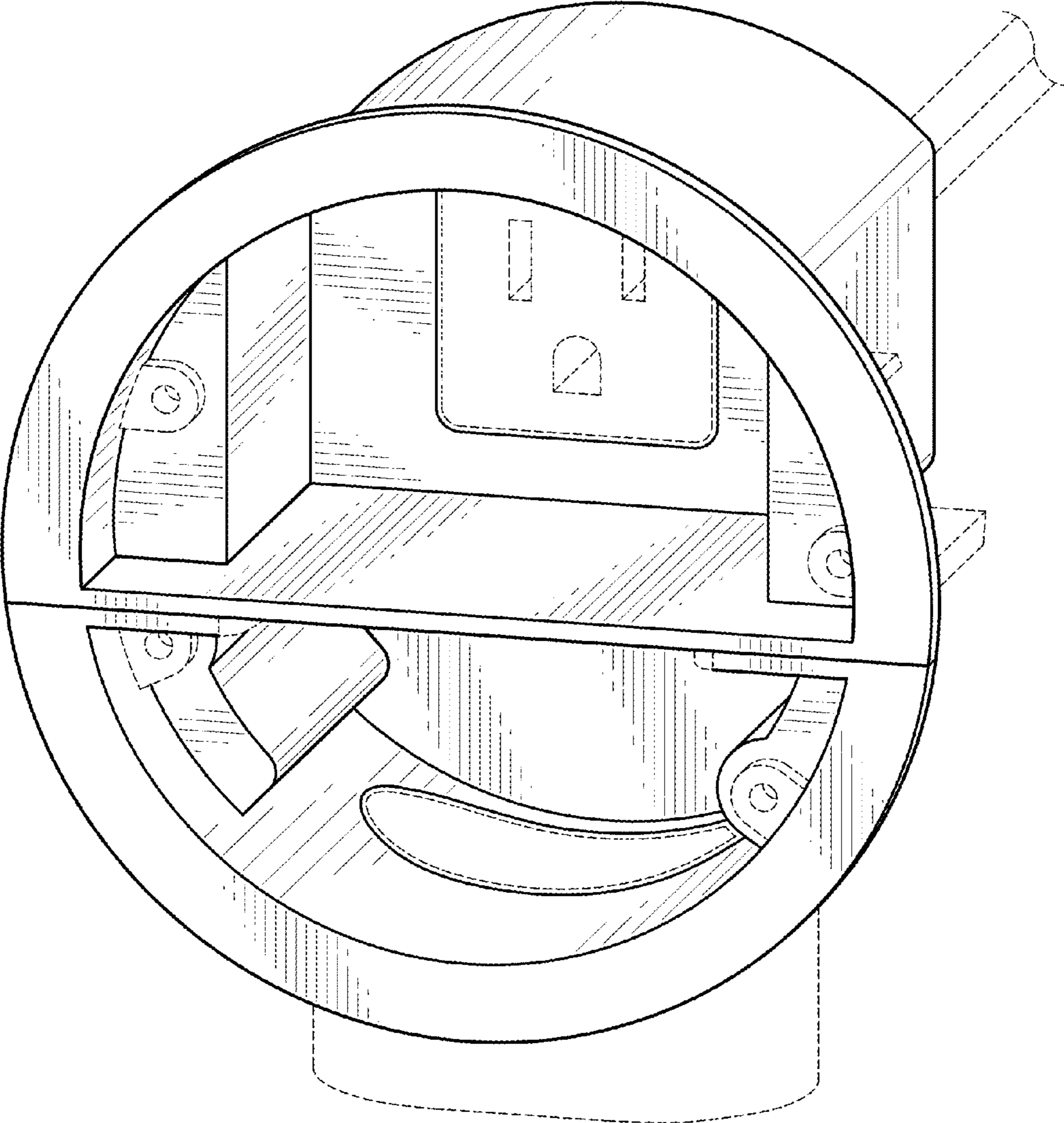


FIG-1

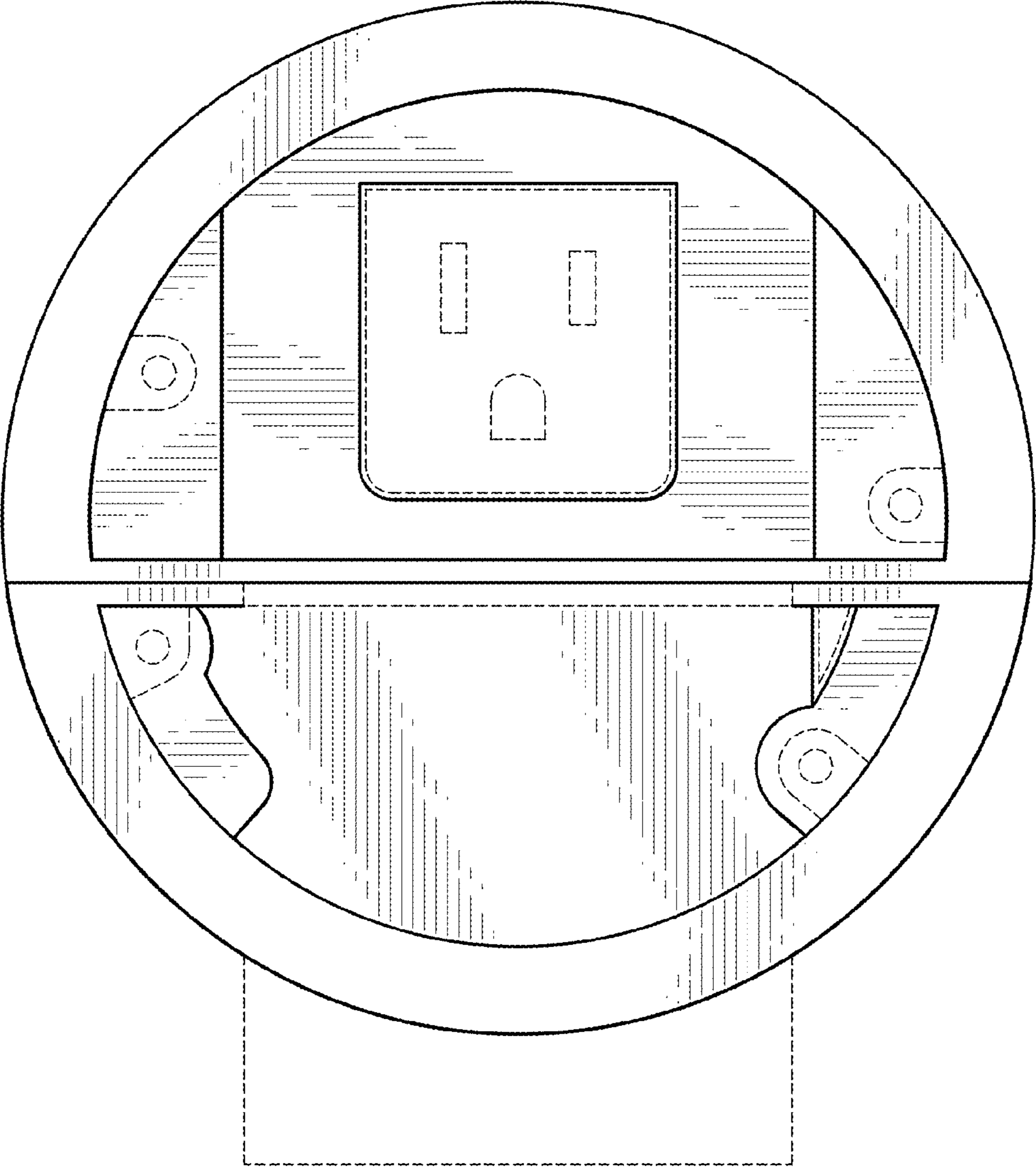


FIG-2

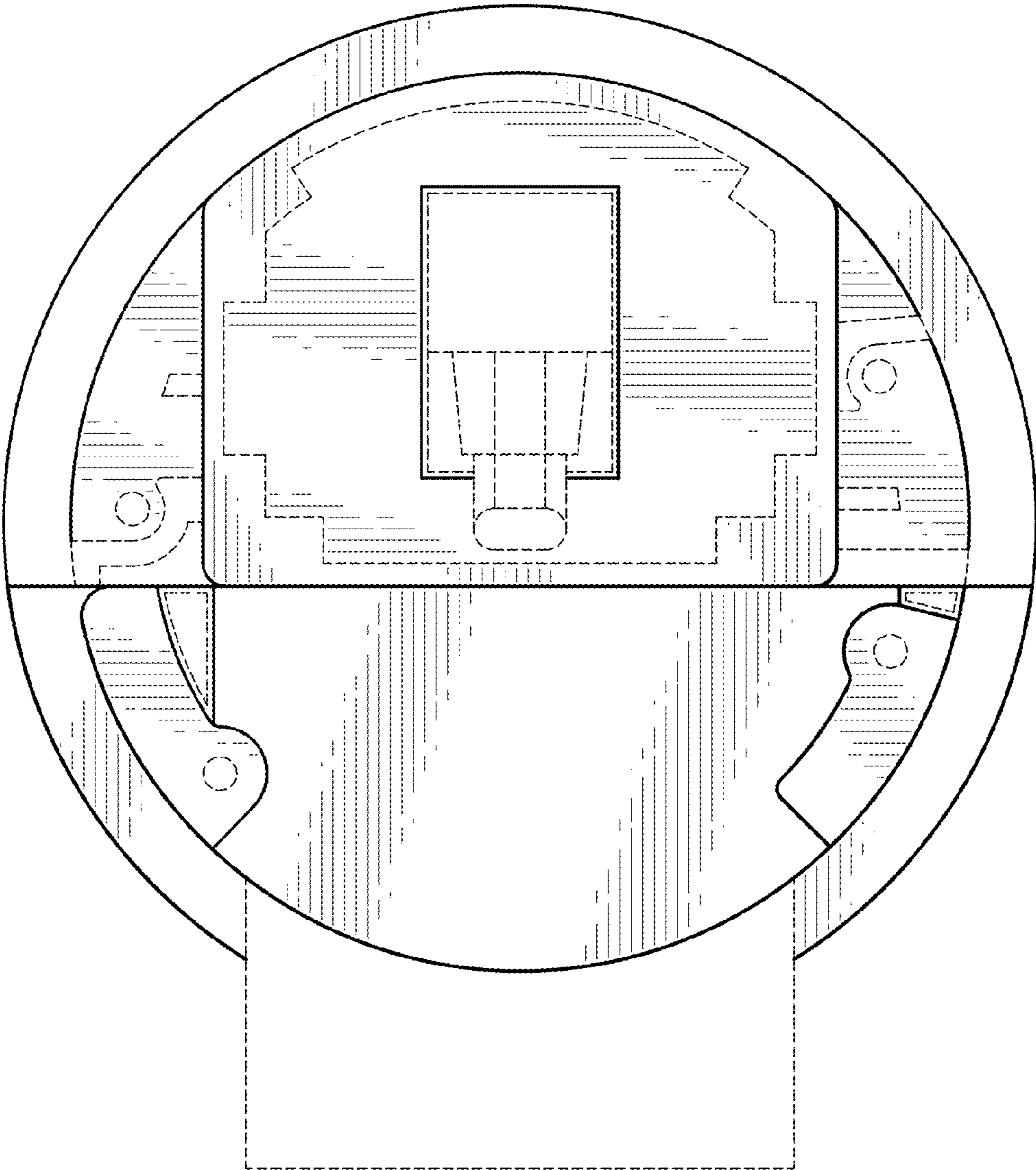


FIG-3

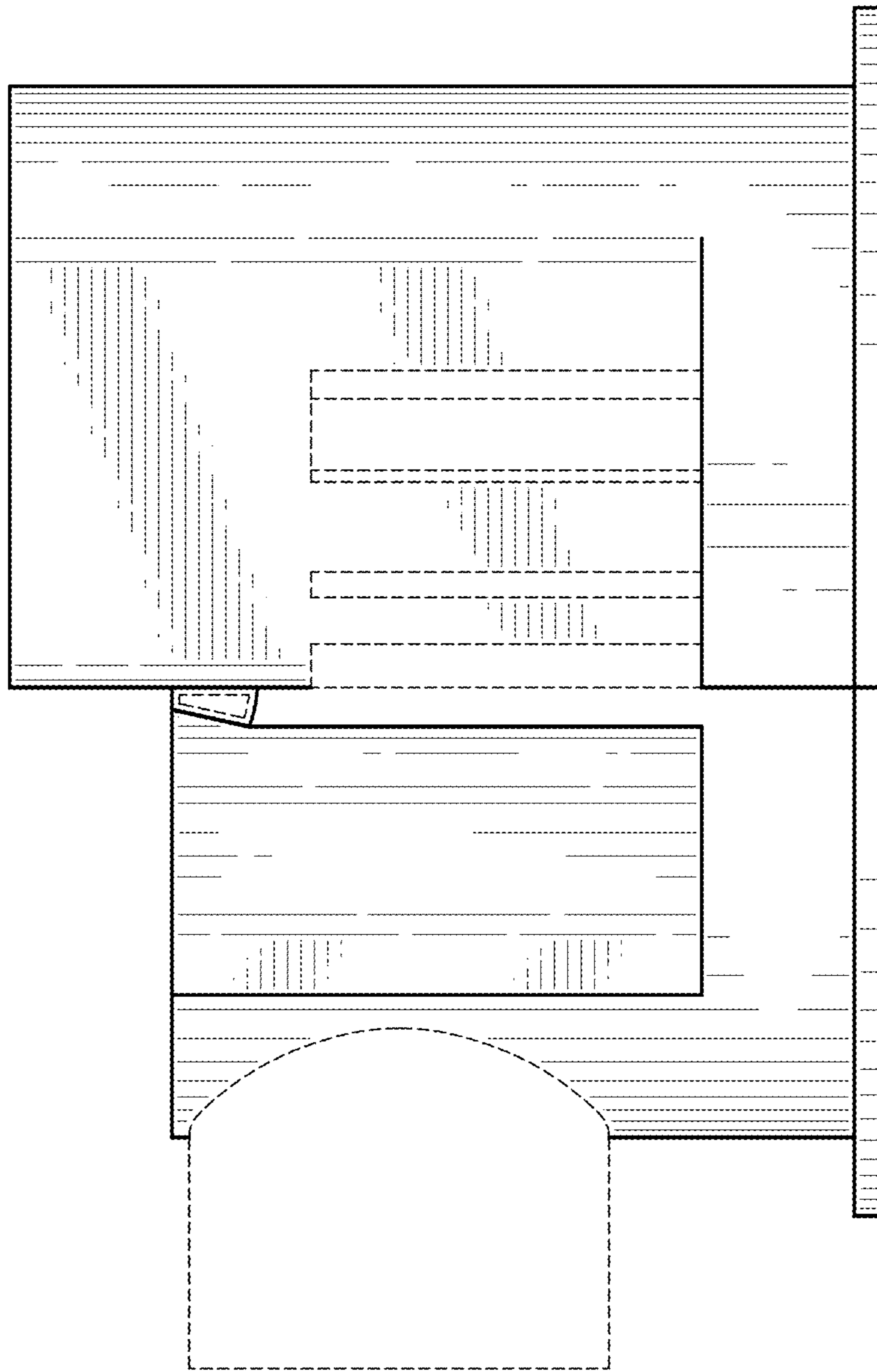


FIG-4

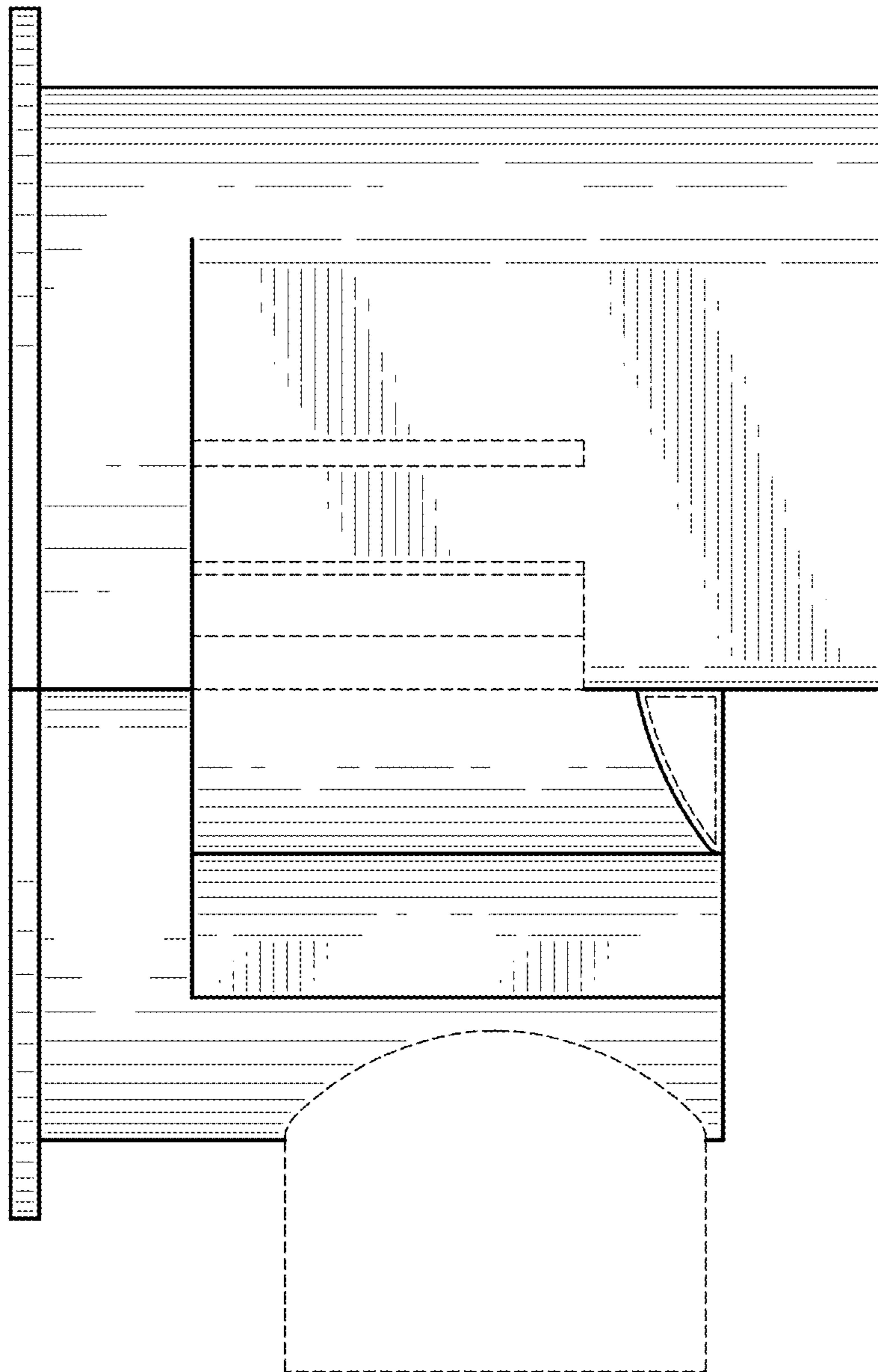


FIG-5

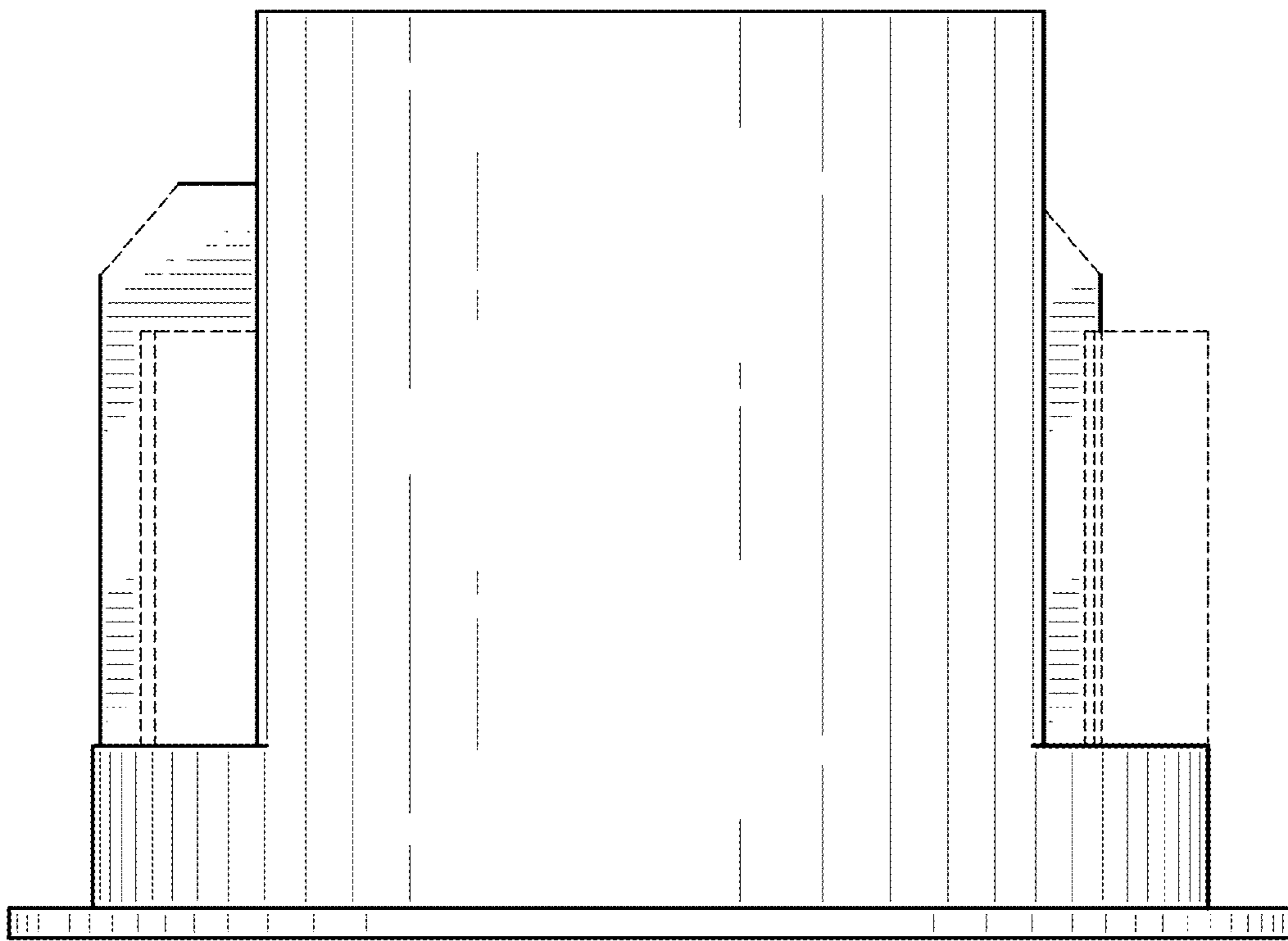


FIG-6

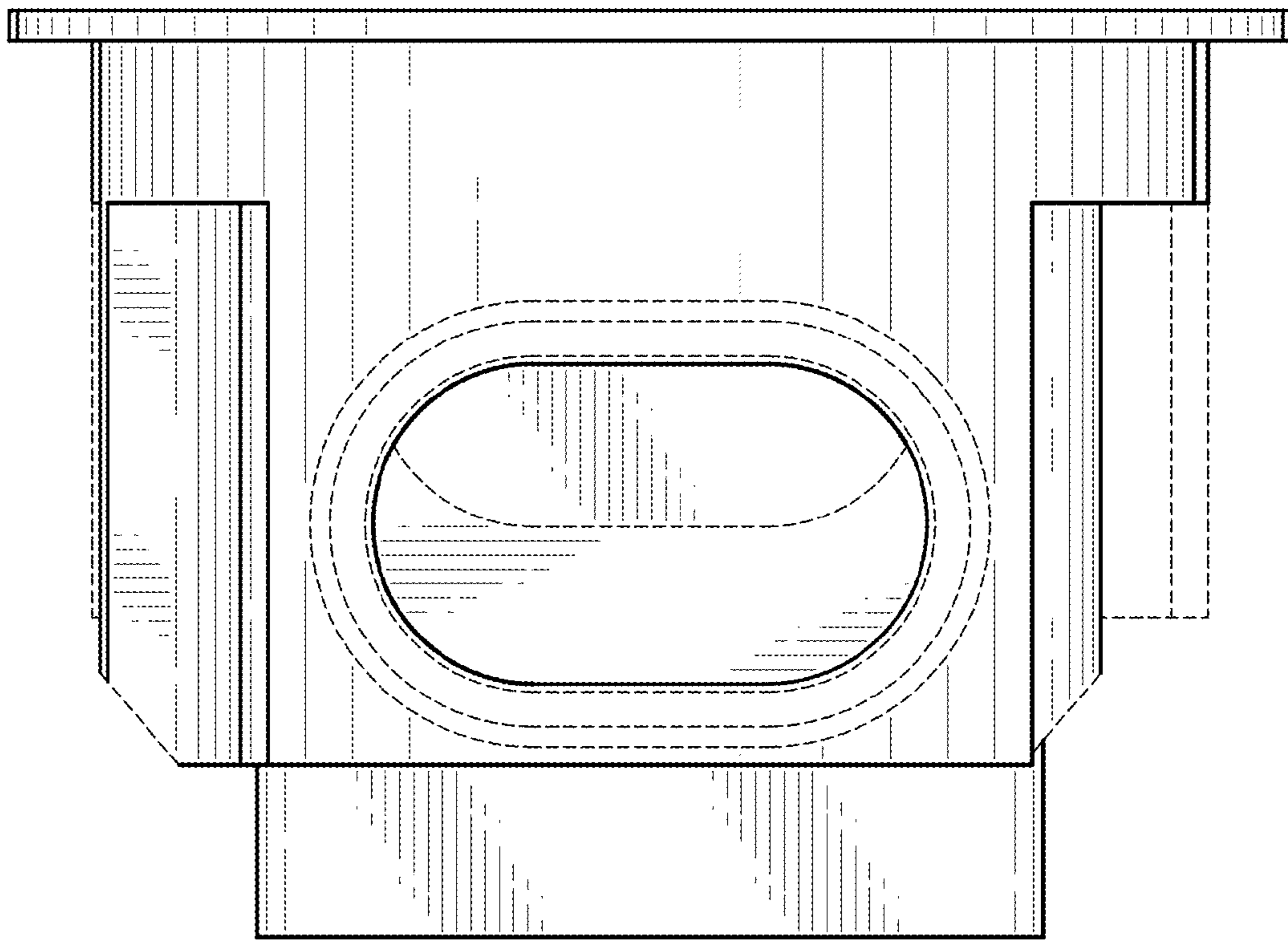


FIG-7