



US00D754078S

(12) **United States Design Patent**
Baldwin et al.

(10) **Patent No.:** **US D754,078 S**
(45) **Date of Patent:** **** Apr. 19, 2016**

(54) **ELECTRICAL BOX**

(71) Applicants: **Jeffrey Baldwin**, Desert Hills, AZ (US);
John Klein, Gilbert, AZ (US); **Ryan Liebengood**, Gilbert, AZ (US)

(72) Inventors: **Jeffrey Baldwin**, Desert Hills, AZ (US);
John Klein, Gilbert, AZ (US); **Ryan Liebengood**, Gilbert, AZ (US)

(**) Term: **14 Years**

(21) Appl. No.: **29/457,354**

(22) Filed: **Jun. 9, 2013**

(51) **LOC (10) Cl.** **13-03**

(52) **U.S. Cl.**
USPC **D13/156**

(58) **Field of Classification Search**
USPC D13/139.1, 139.3, 146, 149, 151, 152,
D13/154, 156; D8/350, 352, 353, 356;
174/66, 67, 650, 653, 655, 659, 662,
174/663, 665; 439/535, 536, 544
CPC H02G 3/14; H02G 3/08; H02G 3/04;
H02G 3/12
See application file for complete search history.

(56) **References Cited**

U.S. PATENT DOCUMENTS

3,773,969 A * 11/1973 Geisel 174/67
D539,229 S * 3/2007 Murphey D13/155
D642,536 S * 8/2011 Robinson D13/154
8,357,008 B2 * 1/2013 Spivey 439/535
D699,687 S * 2/2014 Baldwin et al. D13/156
D719,520 S * 12/2014 DeCosta D13/155
D719,521 S * 12/2014 DeCosta D13/155
D719,523 S * 12/2014 DeCosta D13/155

D721,045 S * 1/2015 Gratz D13/173
2006/0005988 A1 * 1/2006 Jorgensen 174/65 R
2006/0108139 A1 * 5/2006 Cloutier 174/65 G
2009/0283292 A1 * 11/2009 Lehr 174/67
2014/0102780 A1 * 4/2014 Aldrich et al. 174/653
2014/0144667 A1 * 5/2014 DeBartolo et al. 174/67

OTHER PUBLICATIONS

Home Depot Website, Wiremold/Legrand In-Wall Grommet Kit, Dec. 28, 2013, 1 page, <http://www.homedepot.com/p/Wiremold-Legrand-In-Wall-Grommet-Kit-CMK60/203677863#>.

* cited by examiner

Primary Examiner — Derrick Holland

Assistant Examiner — Jennifer O King

(74) *Attorney, Agent, or Firm* — Ryan Liebengood

(57) **CLAIM**

We claim the ornamental design for an electrical box, as shown and described.

DESCRIPTION

FIG. 1 is a front perspective view of an electrical box of our design;

FIG. 2 is a rear perspective view of thereof;

FIG. 3 is a front elevational view thereof;

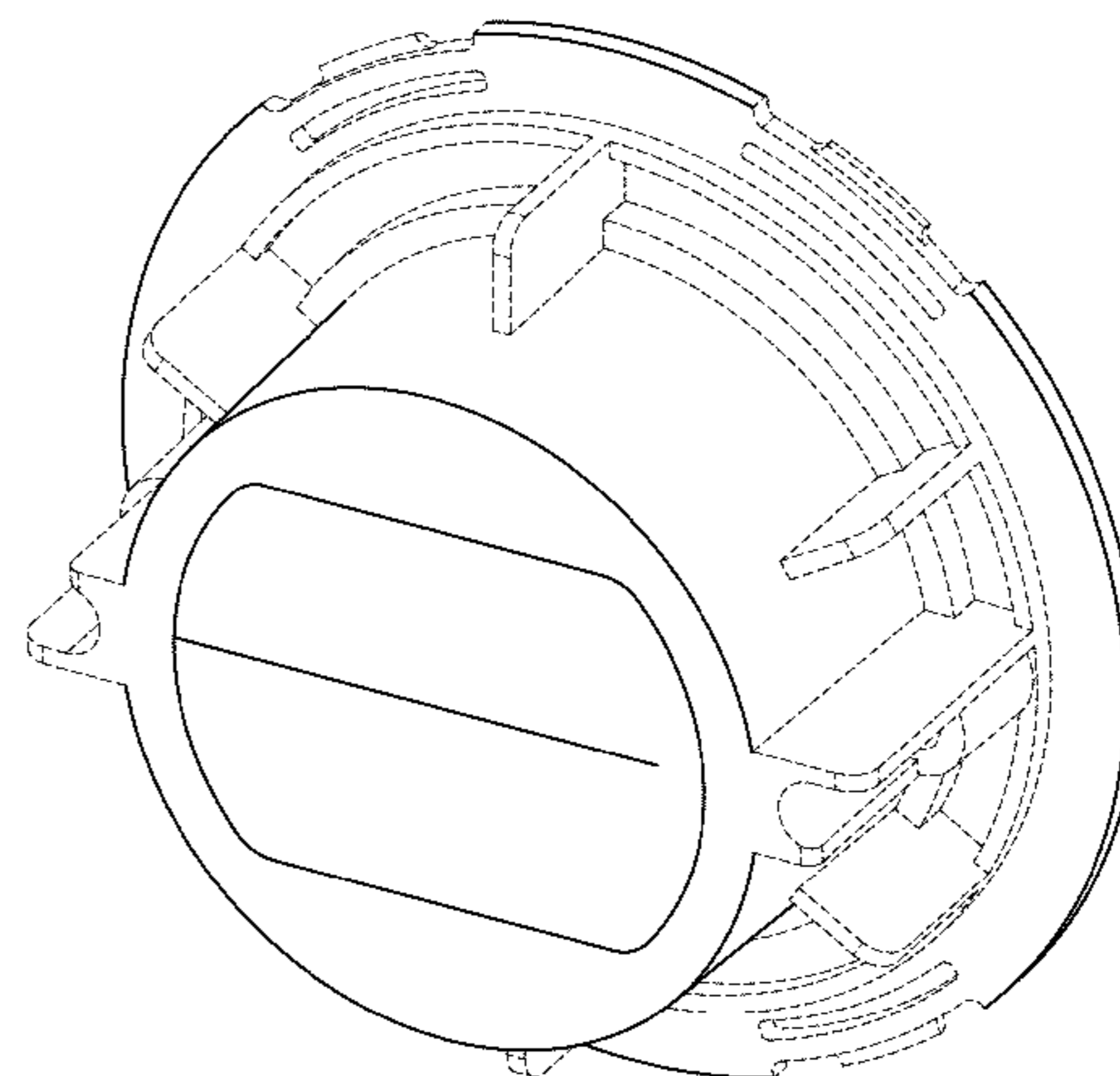
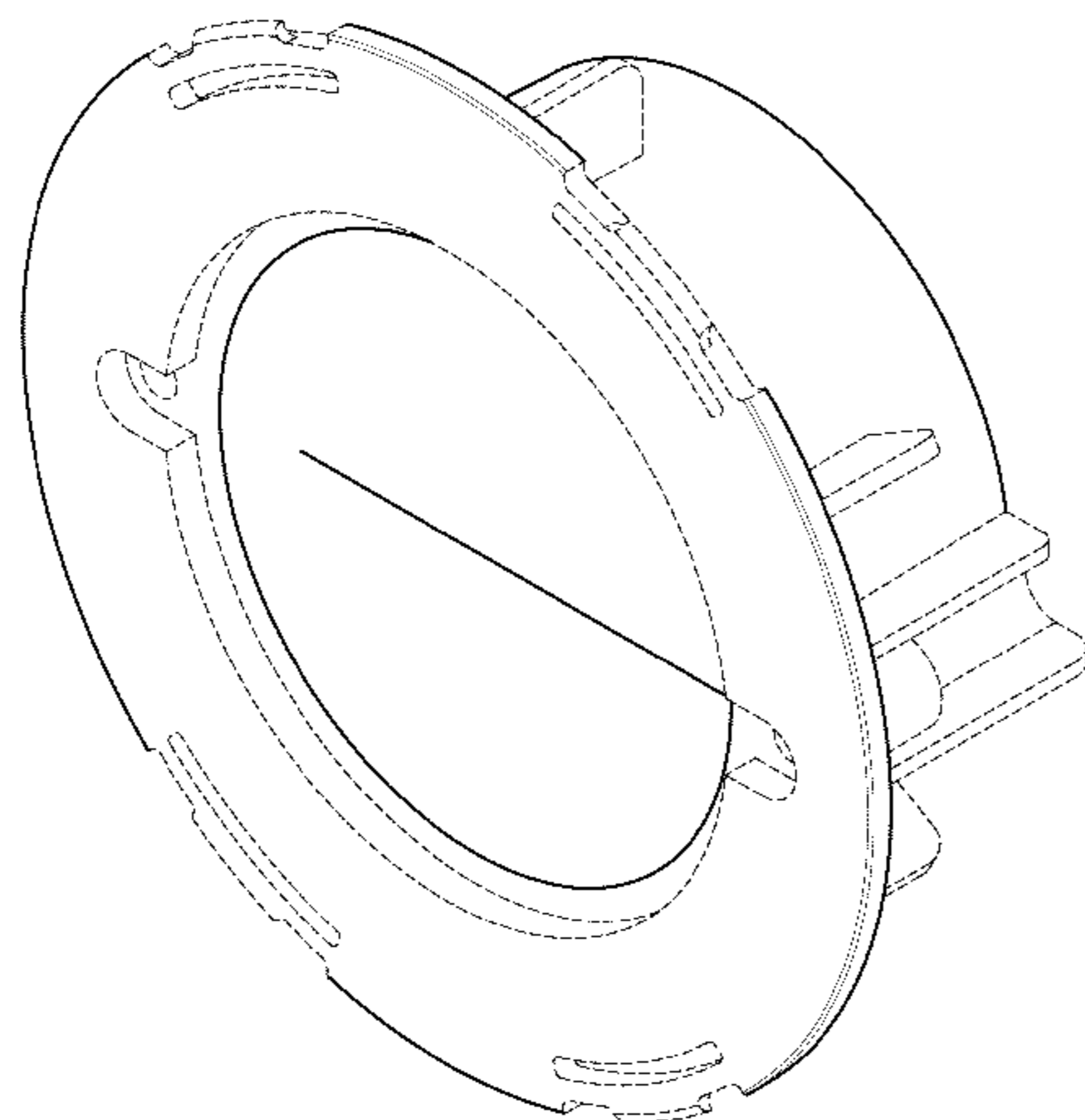
FIG. 4 is a rear elevational view thereof;

FIG. 5 is a top plan view thereof, the bottom plan view being identical; and,

FIG. 6 is a left elevational view thereof, the right elevational view being identical.

The broken lines shown represent unclaimed subject matter and form no part of the claimed design.

1 Claim, 3 Drawing Sheets



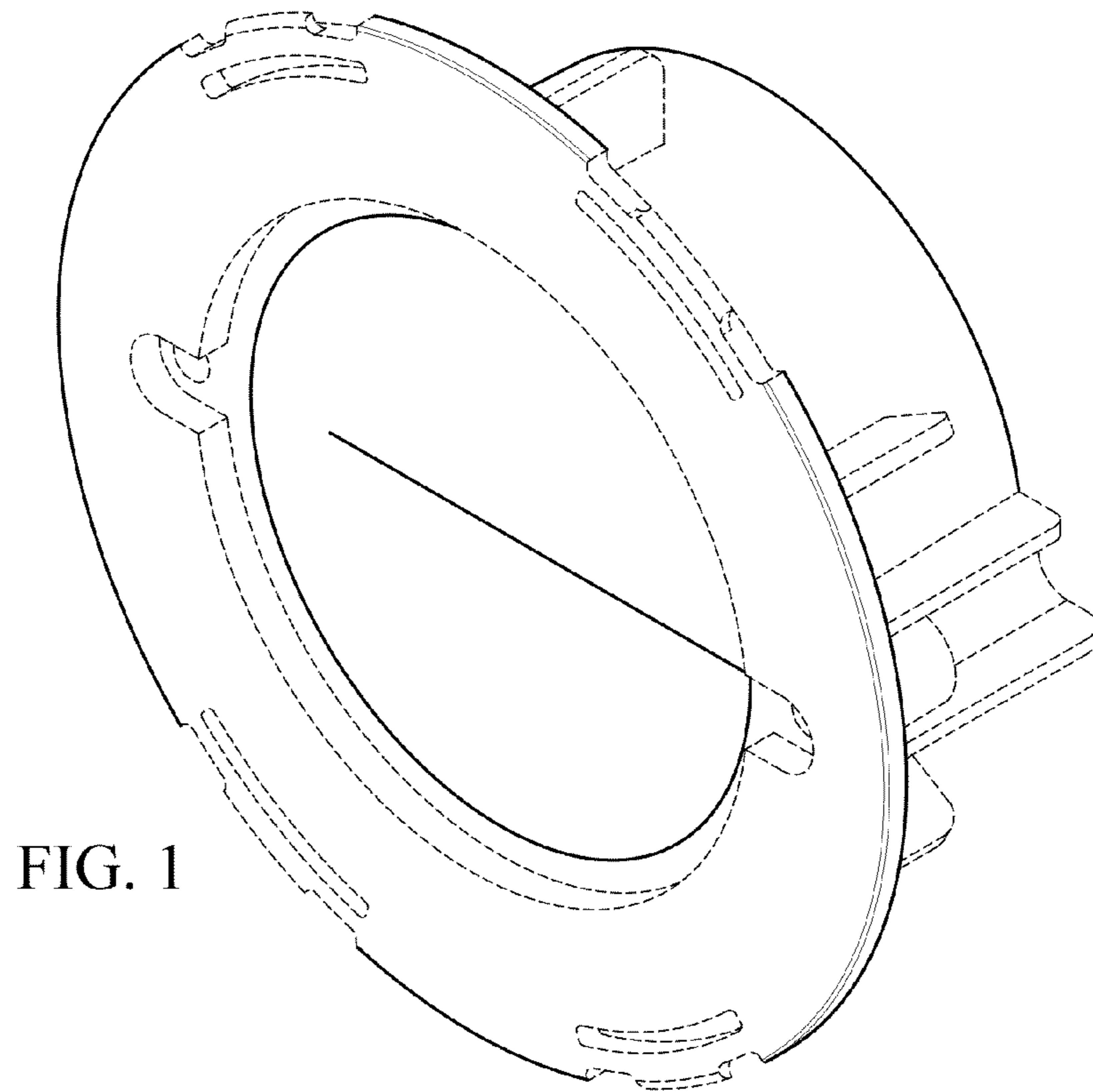


FIG. 1

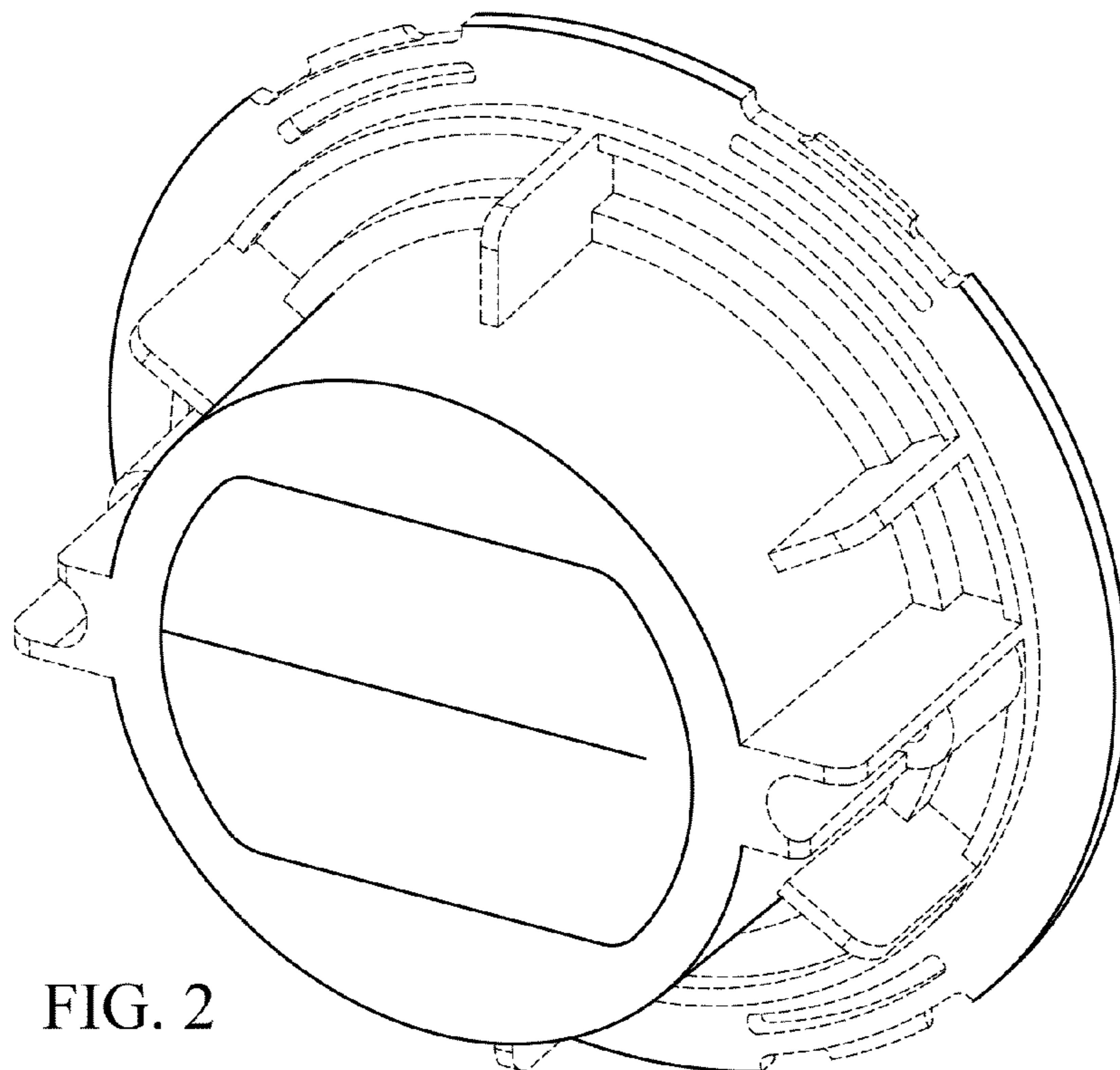


FIG. 2

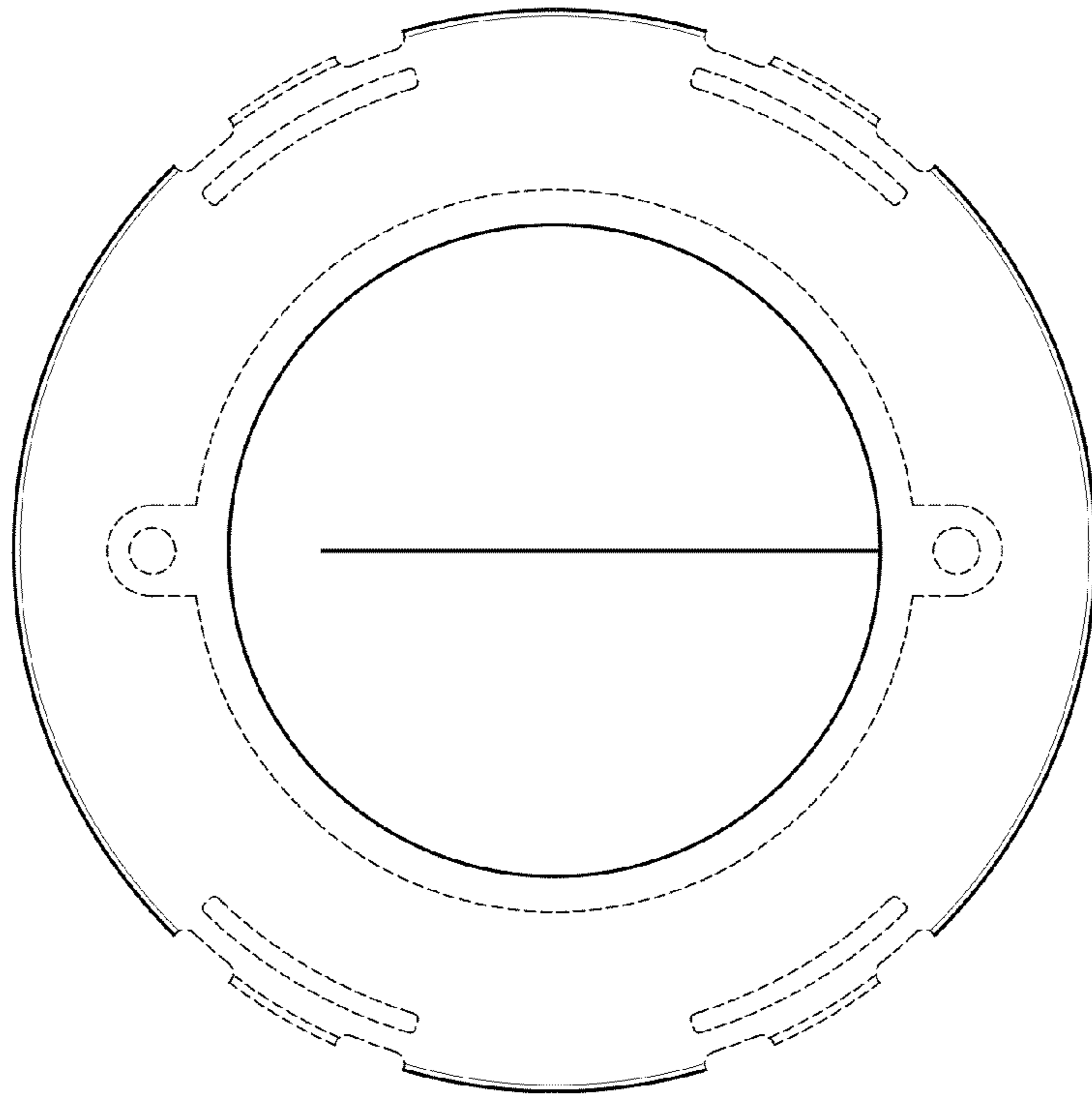


FIG. 3

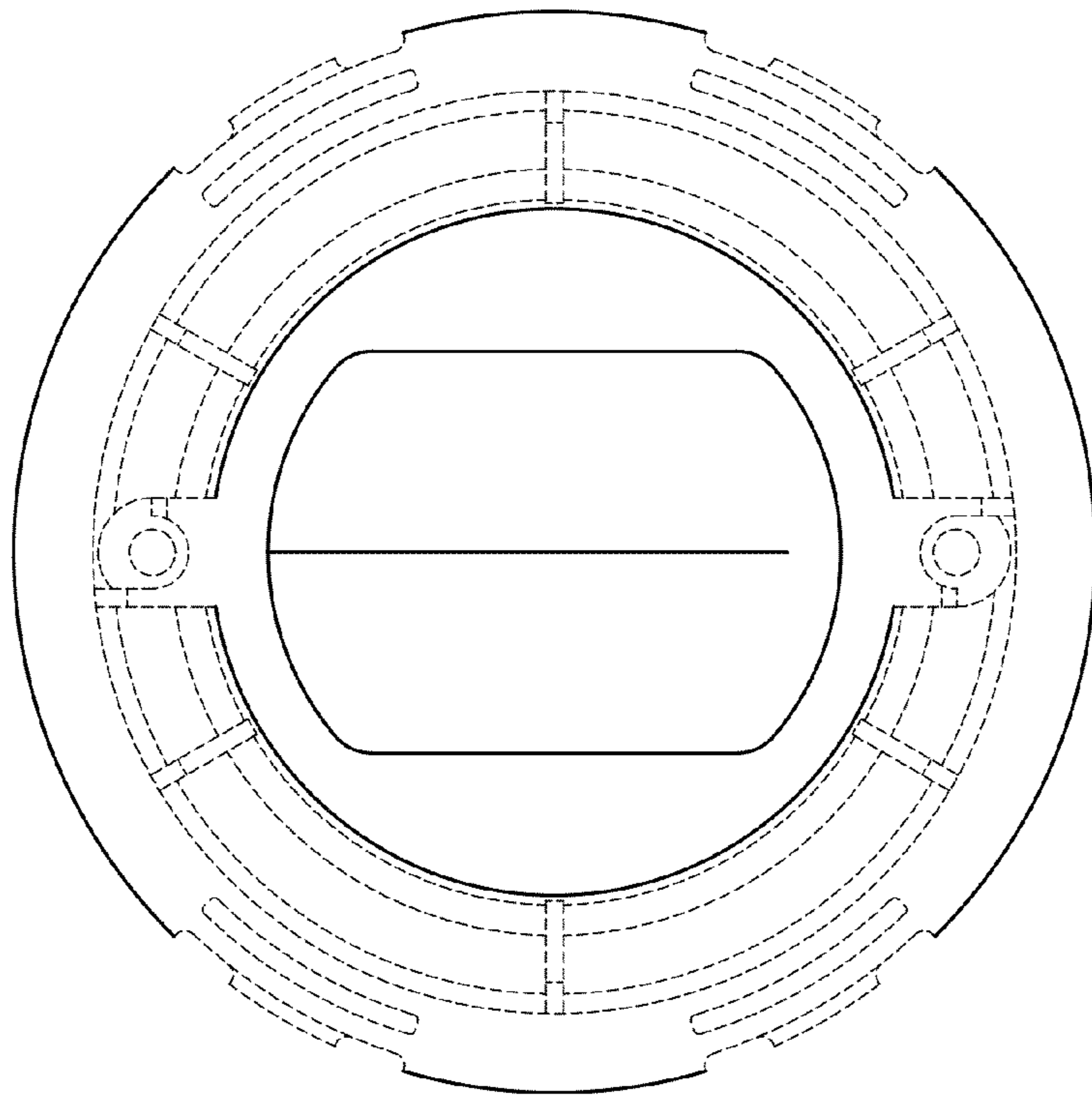


FIG. 4

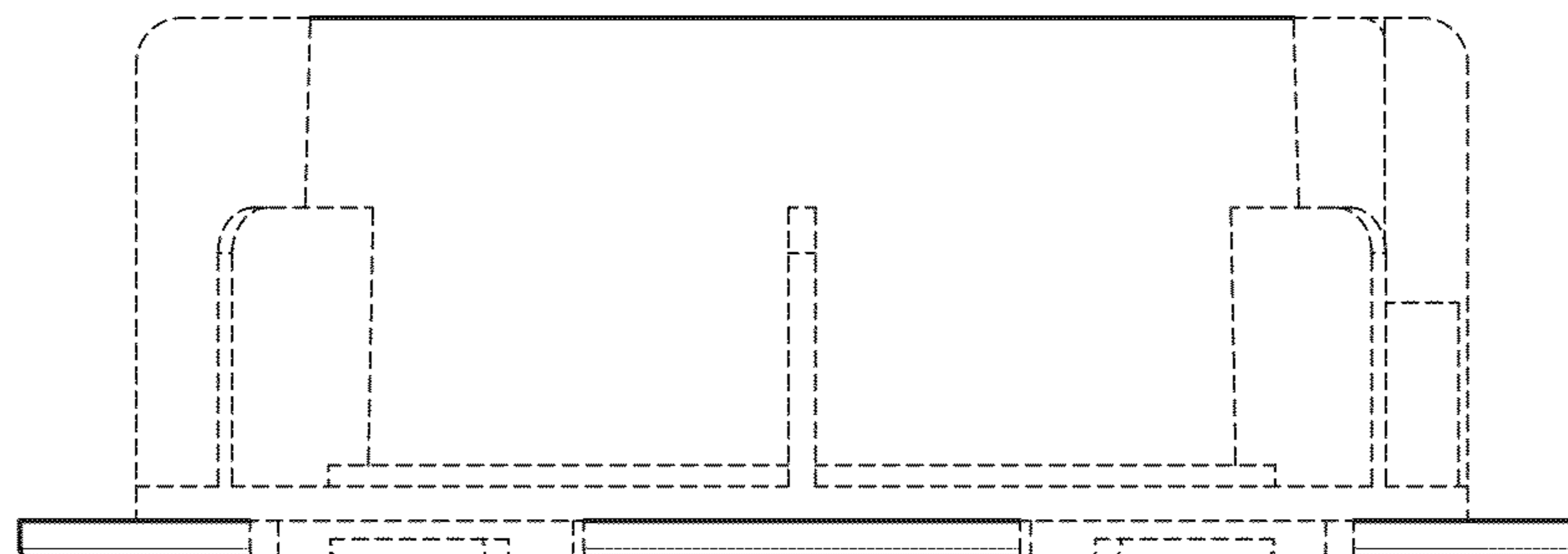


FIG. 5

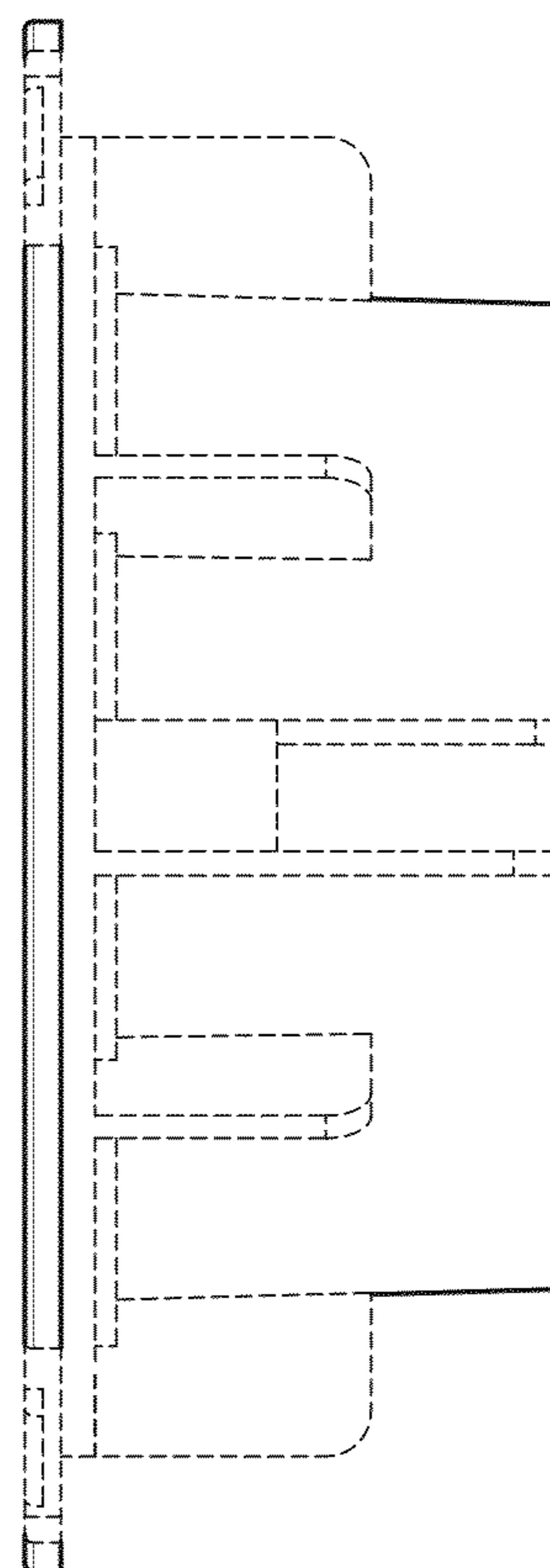


FIG. 6