



US00D754074S

(12) **United States Design Patent**  
**DeCosta**

(10) **Patent No.:** **US D754,074 S**  
(45) **Date of Patent:** **\*\* Apr. 19, 2016**

(54) **DUPLEX RECEPTACLE LATERAL INTERCONNECT POWER ADAPTOR**

(71) Applicant: **Thomas DeCosta**, Westport, MA (US)

(72) Inventor: **Thomas DeCosta**, Westport, MA (US)

(\*\*) Term: **14 Years**

(21) Appl. No.: **29/474,774**

(22) Filed: **Feb. 4, 2015**

(51) **LOC (10) Cl.** ..... **13-03**

(52) **U.S. Cl.**  
USPC ..... **D13/139.3**

(58) **Field of Classification Search**  
USPC ..... D13/139.3, 137.1–137.8, 154, 146, 123,  
D13/160, 110, 139.6, 139.1; 174/51, 53, 66;  
361/117; 307/86, 147; 439/501  
CPC ..... H01R 4/36; H01R 13/6666; H01R 13/72;  
H02G 3/18; H02G 3/14; H02G 1/00; H01H  
37/765  
See application file for complete search history.

(56) **References Cited**

U.S. PATENT DOCUMENTS

- 3,510,822 A \* 5/1970 Patterson ..... H01R 4/36  
174/51
- 3,716,651 A \* 2/1973 Werner ..... H02G 3/18  
174/53
- 4,872,081 A \* 10/1989 Murphy ..... H01R 13/6666  
361/117
- D429,688 S \* 8/2000 Russo ..... D13/123
- 6,166,618 A \* 12/2000 Robertson ..... H01H 37/765  
307/86
- D470,108 S \* 2/2003 Daoxian ..... D13/139.3
- D544,840 S \* 6/2007 Hargreaves ..... D13/146
- D553,101 S \* 10/2007 Richardson ..... D13/139.3
- RE40,600 E \* 12/2008 Maltby ..... H02G 3/14  
174/66
- D588,065 S \* 3/2009 Wadsworth ..... D13/137.2
- D603,342 S \* 11/2009 DeCosta ..... D13/160

- D618,627 S \* 6/2010 Arenas ..... D13/154
- D623,595 S \* 9/2010 Ruffner ..... D13/110
- D635,922 S \* 4/2011 Sato ..... D13/139.4
- 7,939,758 B1 \* 5/2011 Shotey ..... H02G 3/14  
174/66
- D651,978 S \* 1/2012 Depping ..... D13/139.6
- D678,840 S \* 3/2013 DeCosta ..... D13/137.1
- D682,219 S \* 5/2013 Lee ..... D13/152
- D719,915 S \* 12/2014 McMahon ..... D13/139.1
- 8,905,780 B2 \* 12/2014 Vallon ..... H01R 13/72  
439/501
- D725,595 S \* 3/2015 DeCosta ..... D13/146
- D735,670 S \* 8/2015 DeCosta ..... D13/146
- D741,265 S \* 10/2015 Lee ..... D13/137.2
- D742,319 S \* 11/2015 DeCosta ..... D13/146
- D744,952 S \* 12/2015 Ni ..... D13/139.3
- 2012/0256496 A1 \* 10/2012 DeCosta ..... H02G 1/00  
307/147

\* cited by examiner

*Primary Examiner* — Holly Baynham

*Assistant Examiner* — Rhea Shields

(57) **CLAIM**

The ornamental design for a duplex receptacle lateral interconnect power adaptor, as shown and described.

**DESCRIPTION**

FIG. 1 is a top, front and left side perspective view of a duplex receptacle lateral interconnect power adaptor showing my new design;

FIG. 2 is a top, front and right side perspective view thereof;

FIG. 3 is a top, rear and right side perspective view thereof;

FIG. 4 is a front elevation view thereof;

FIG. 5 is a rear elevation view thereof;

FIG. 6 is a left side elevation view thereof;

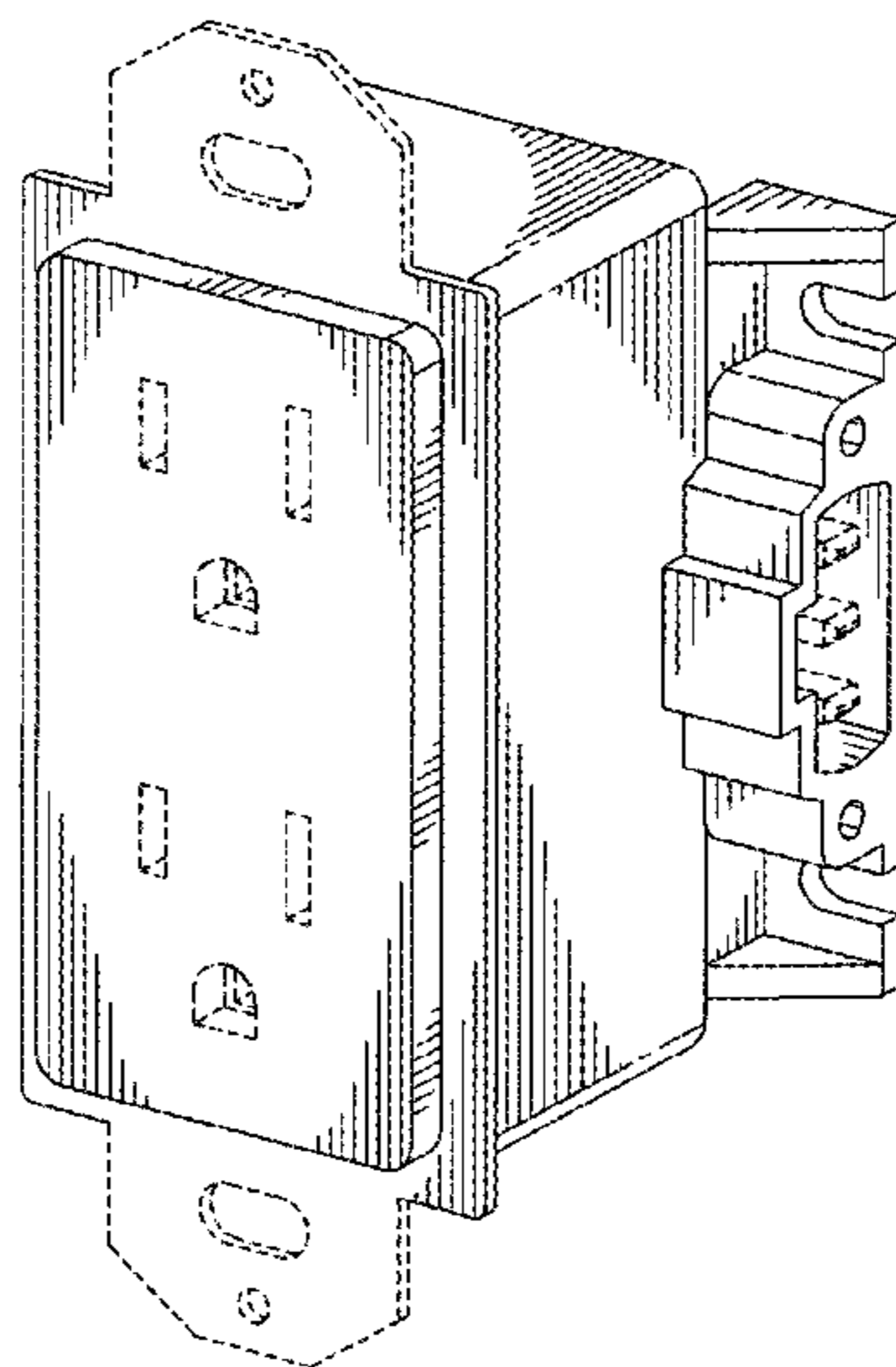
FIG. 7 is a right side elevation view thereof;

FIG. 8 is a top plan view thereof; and,

FIG. 9 is a bottom plan view thereof.

The broken lines in the drawing views represent unclaimed environment and forms no part of the claimed design.

**1 Claim, 9 Drawing Sheets**



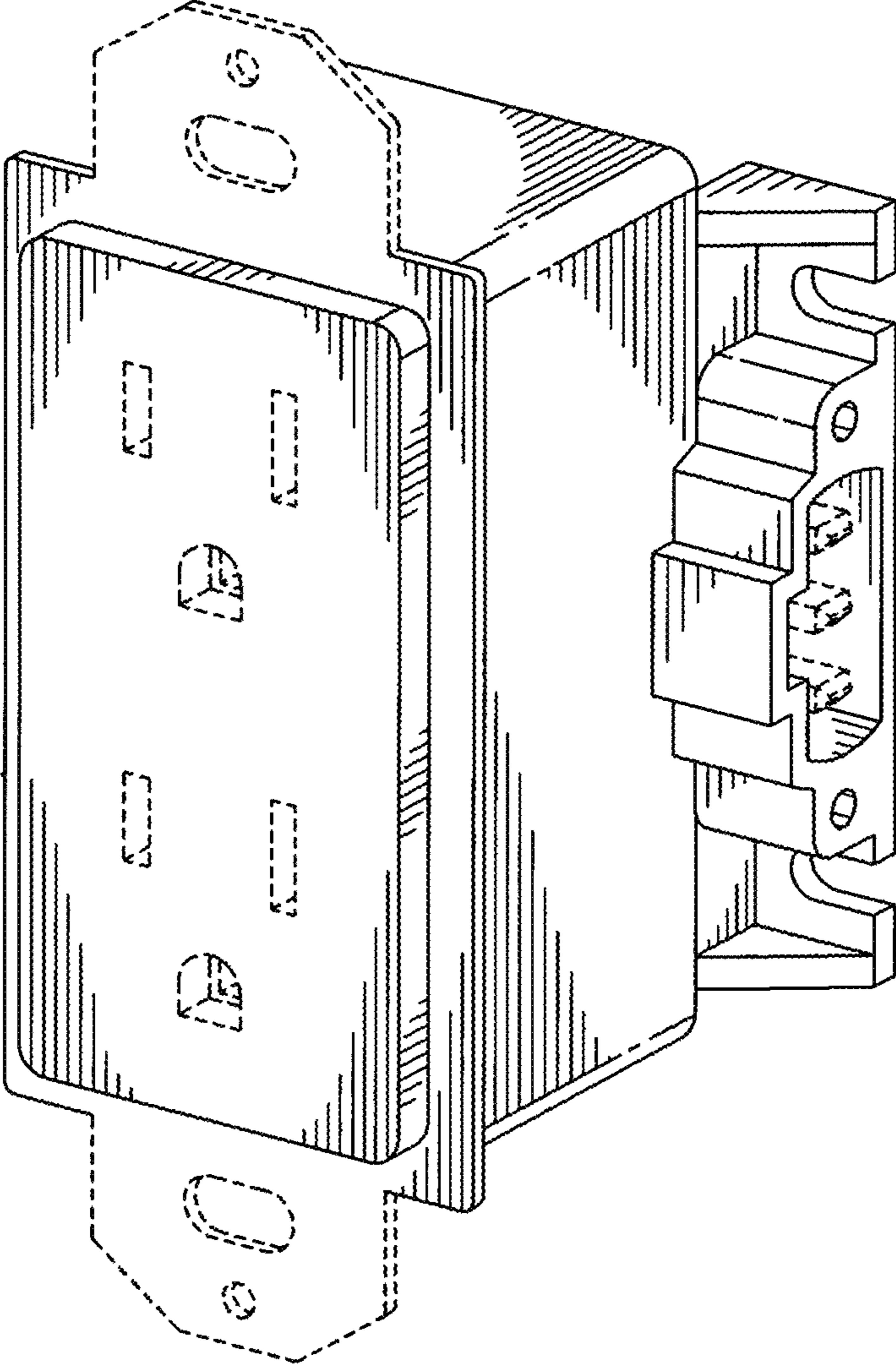


FIG. 1

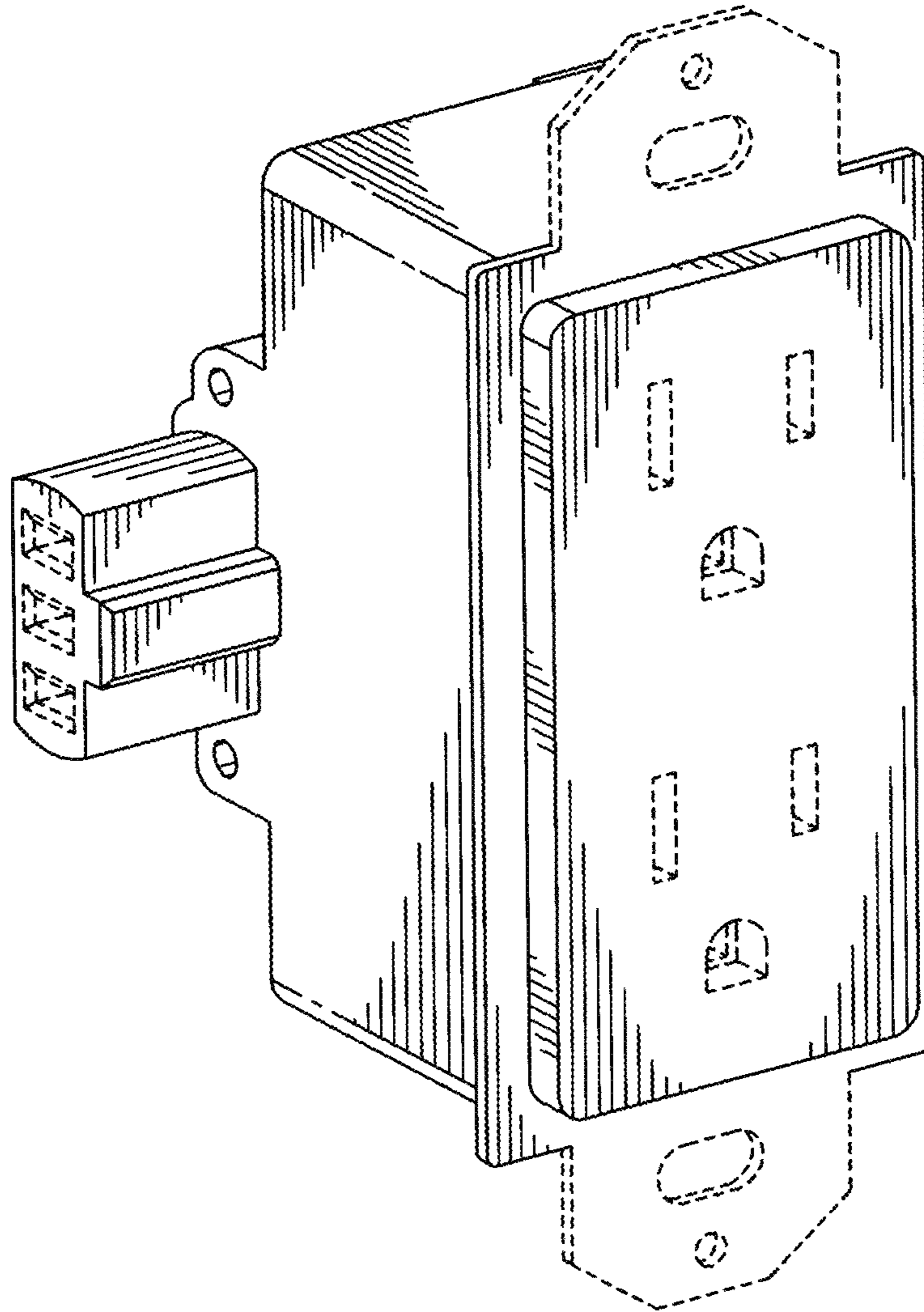


FIG. 2

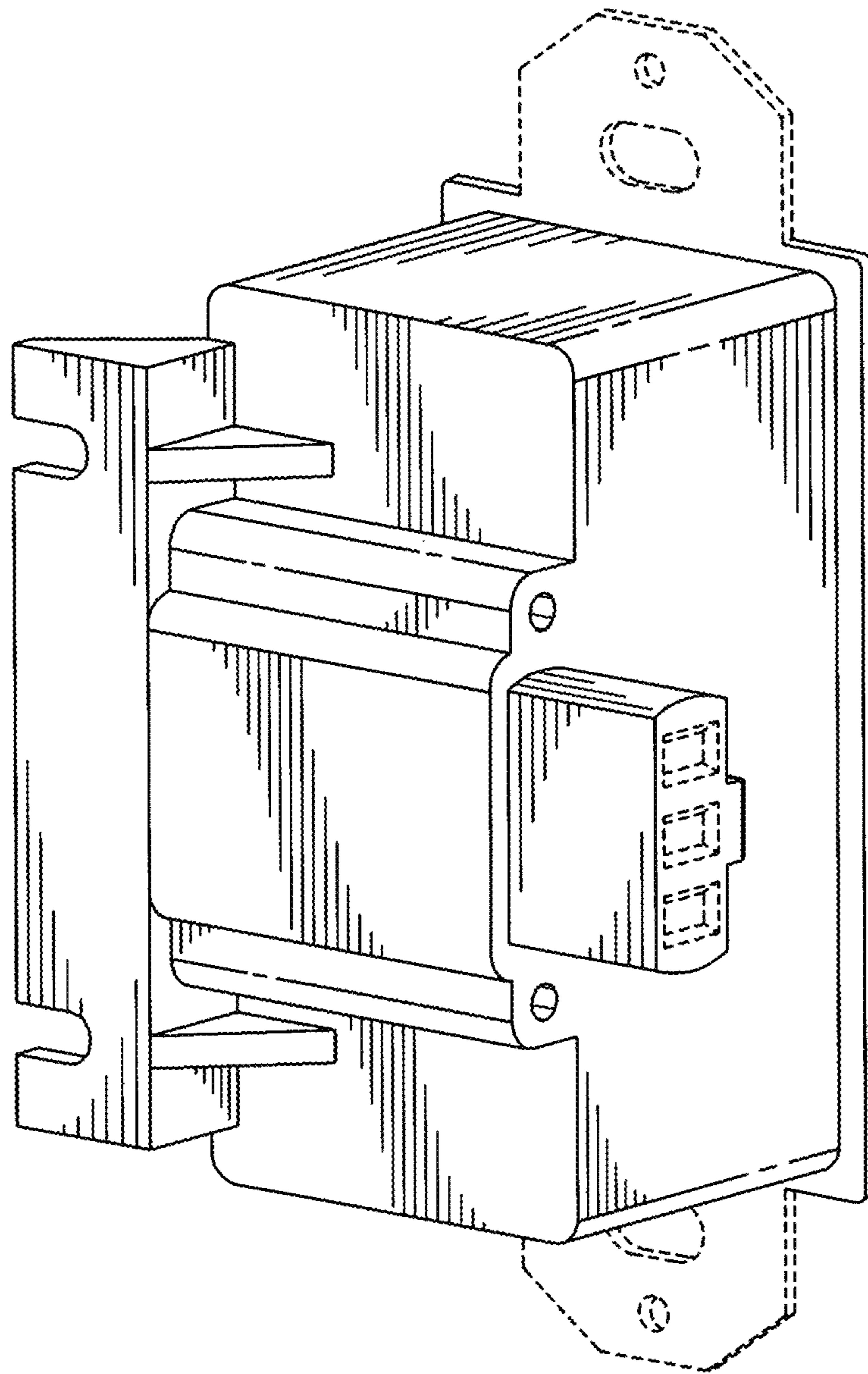


FIG. 3



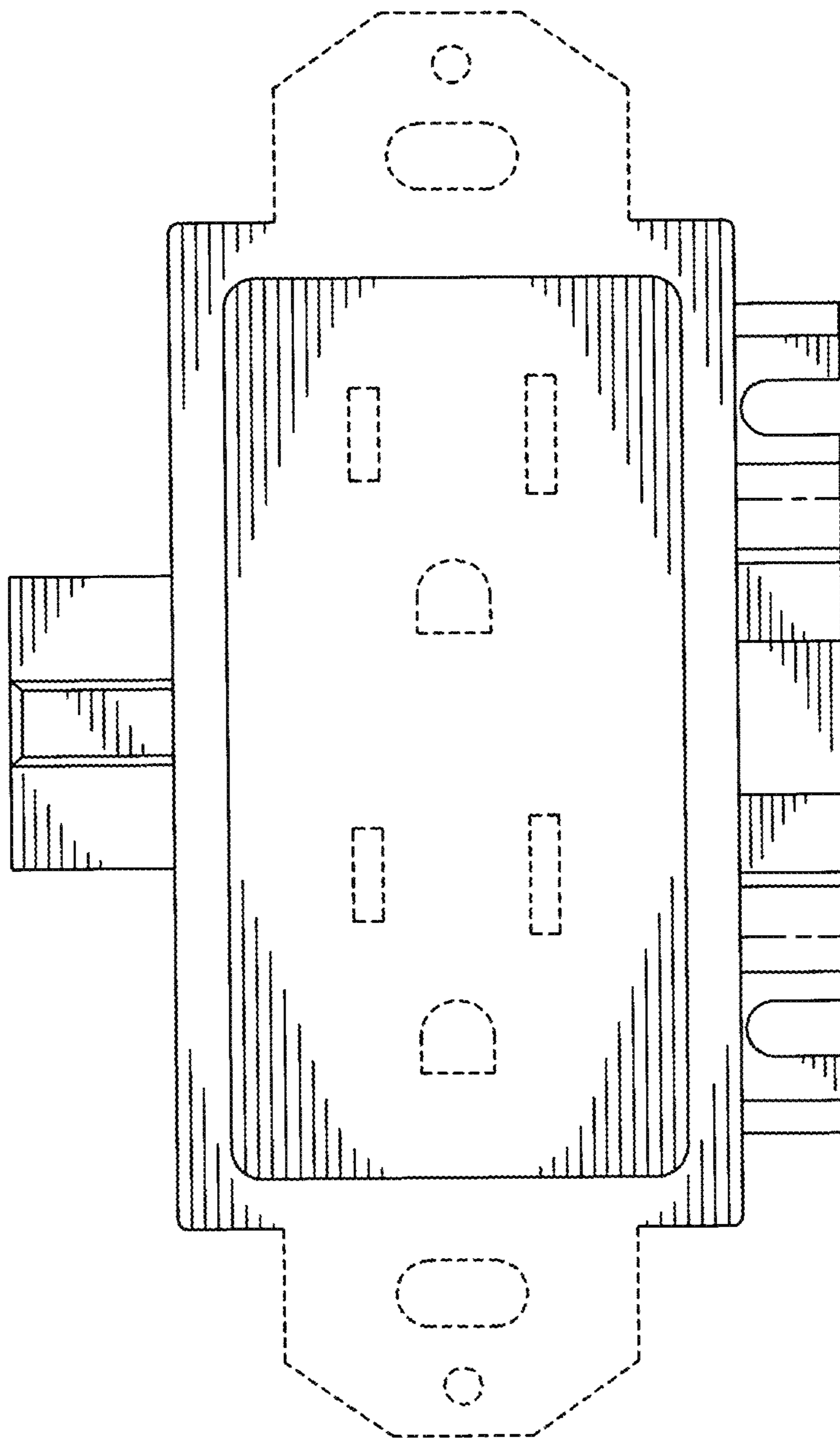


FIG. 4

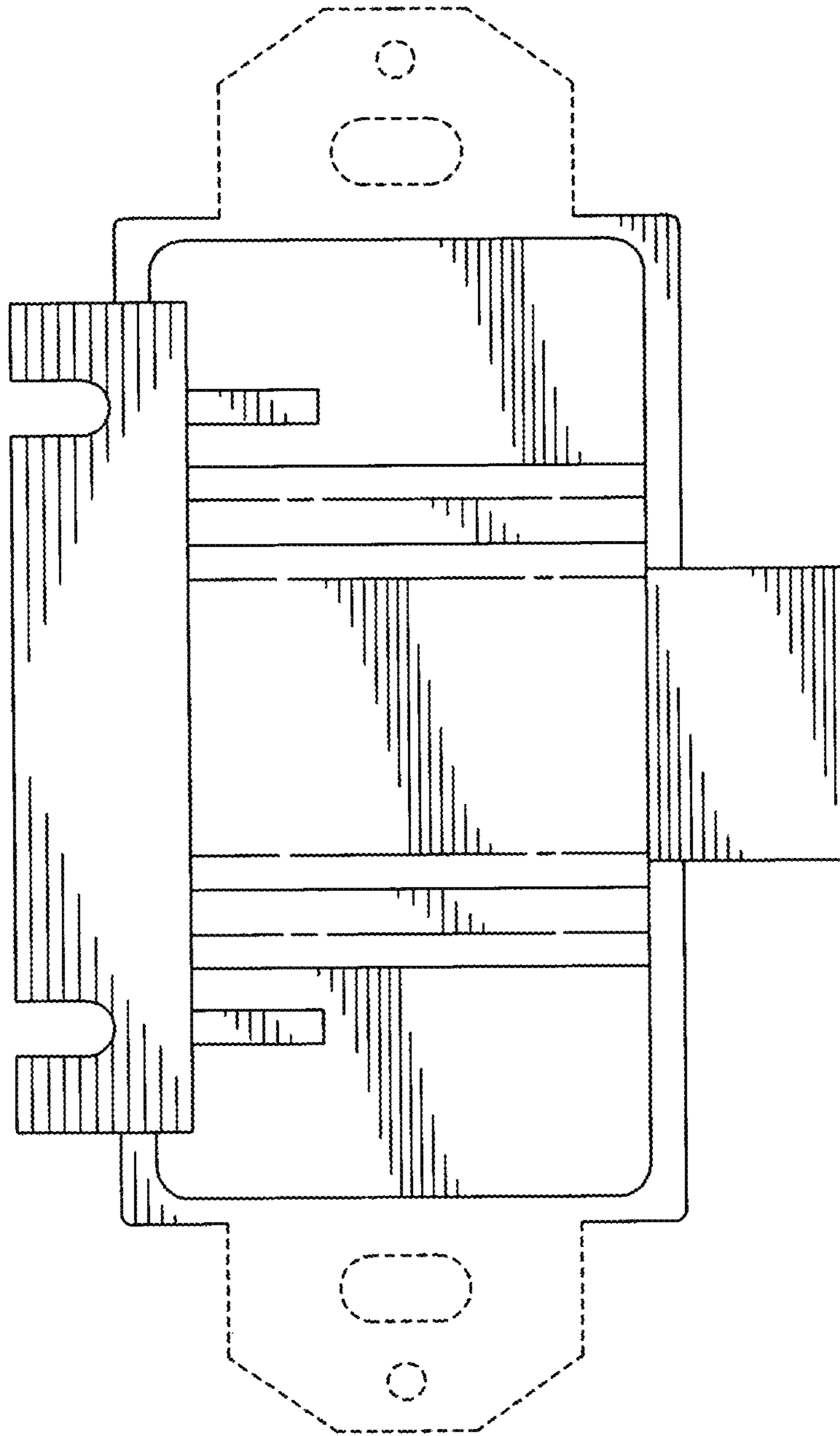


FIG. 5

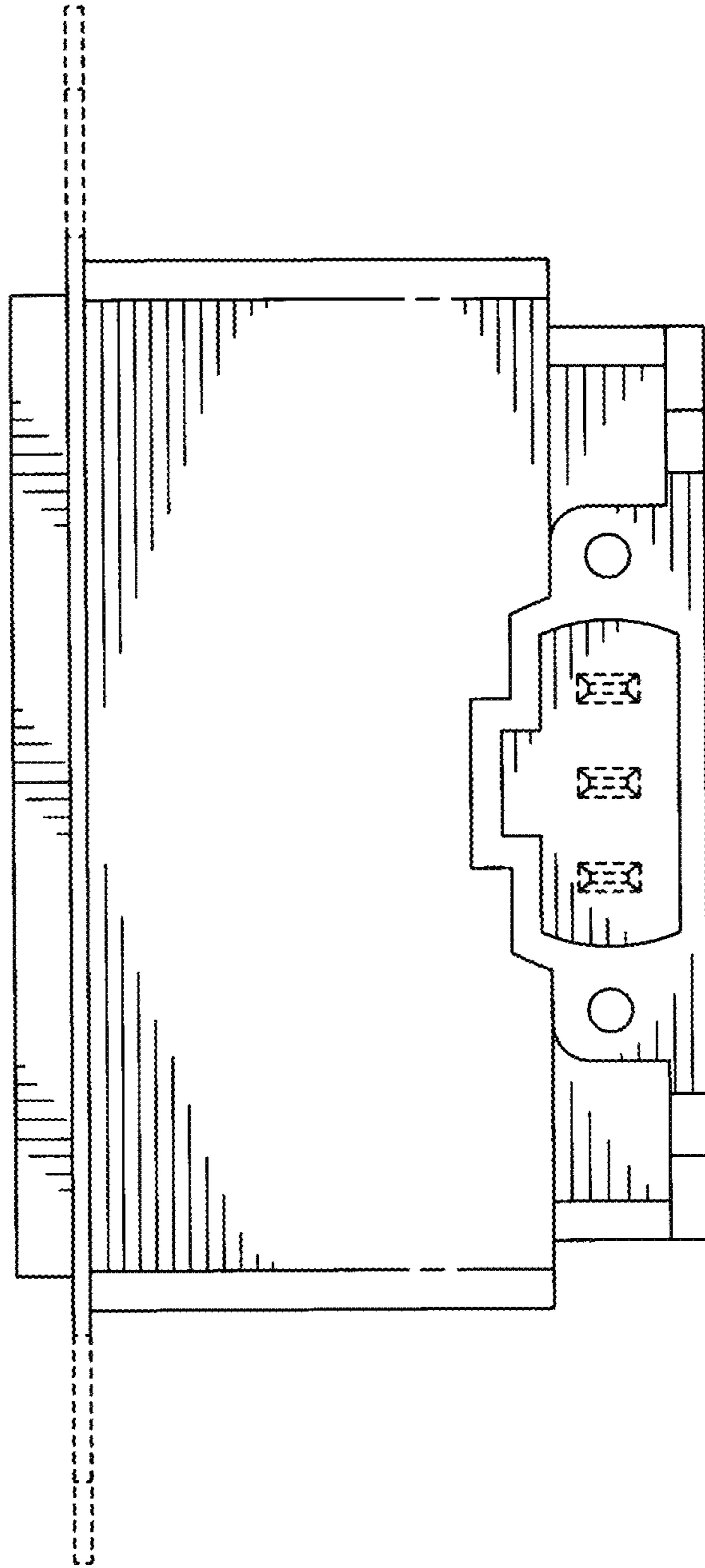


FIG. 6

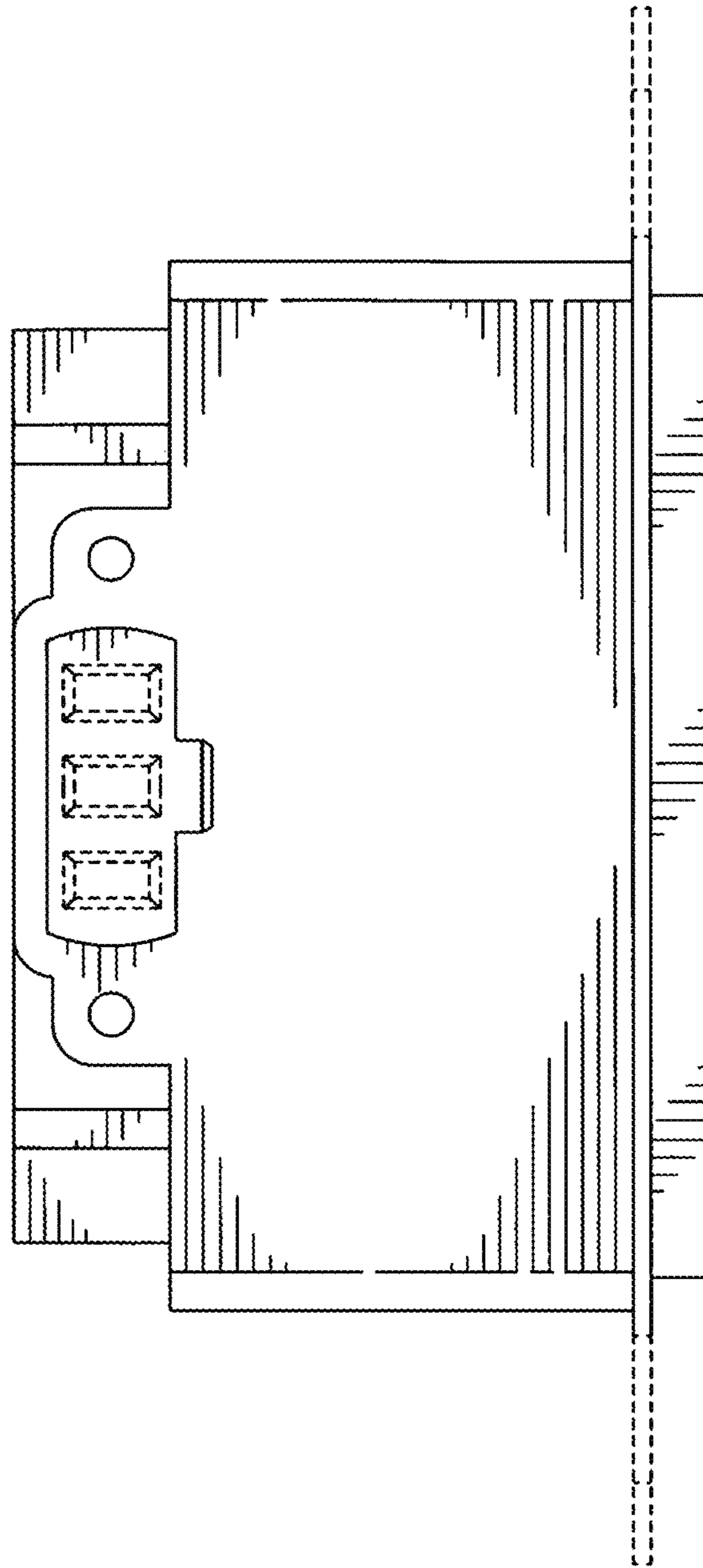


FIG. 7



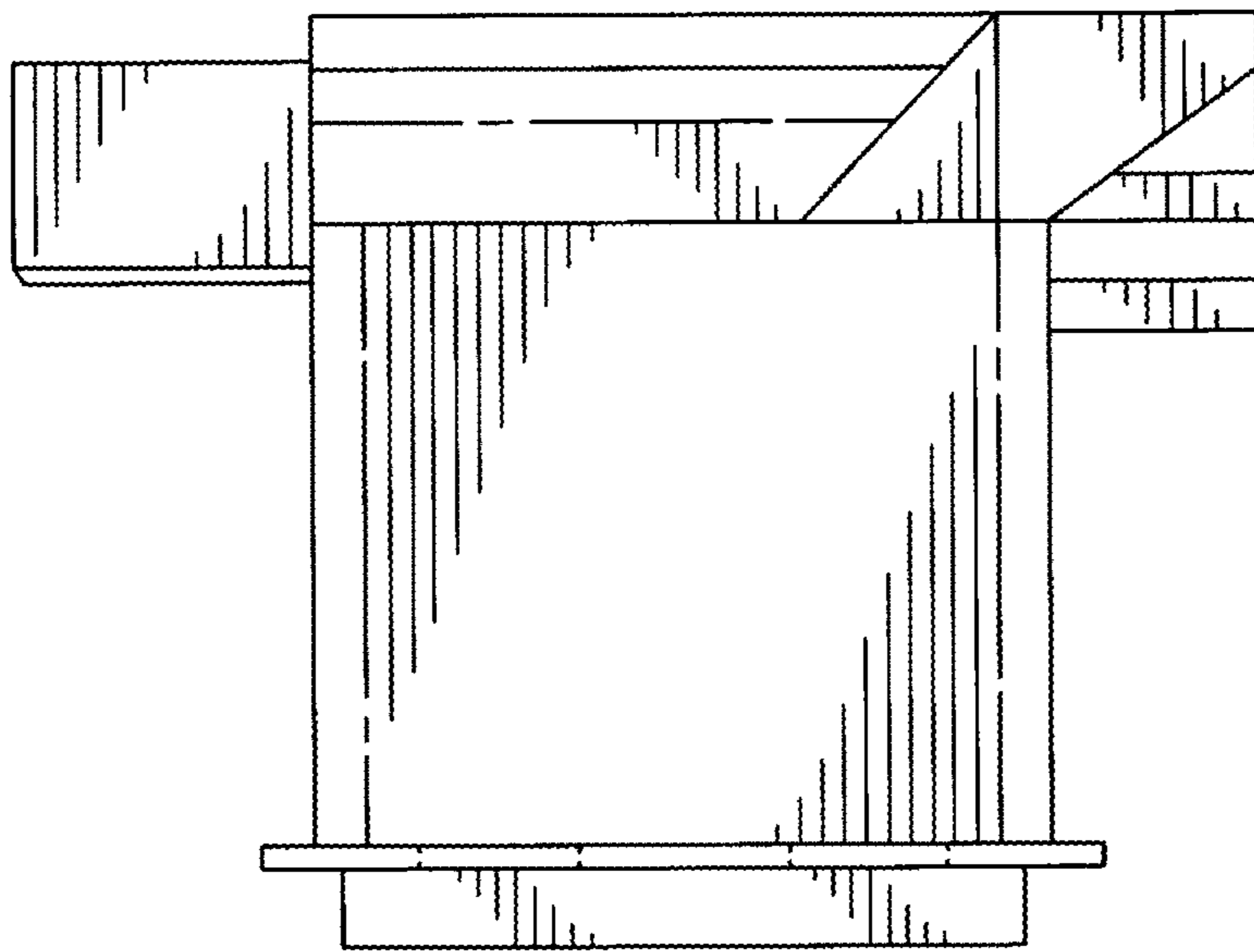


FIG. 8

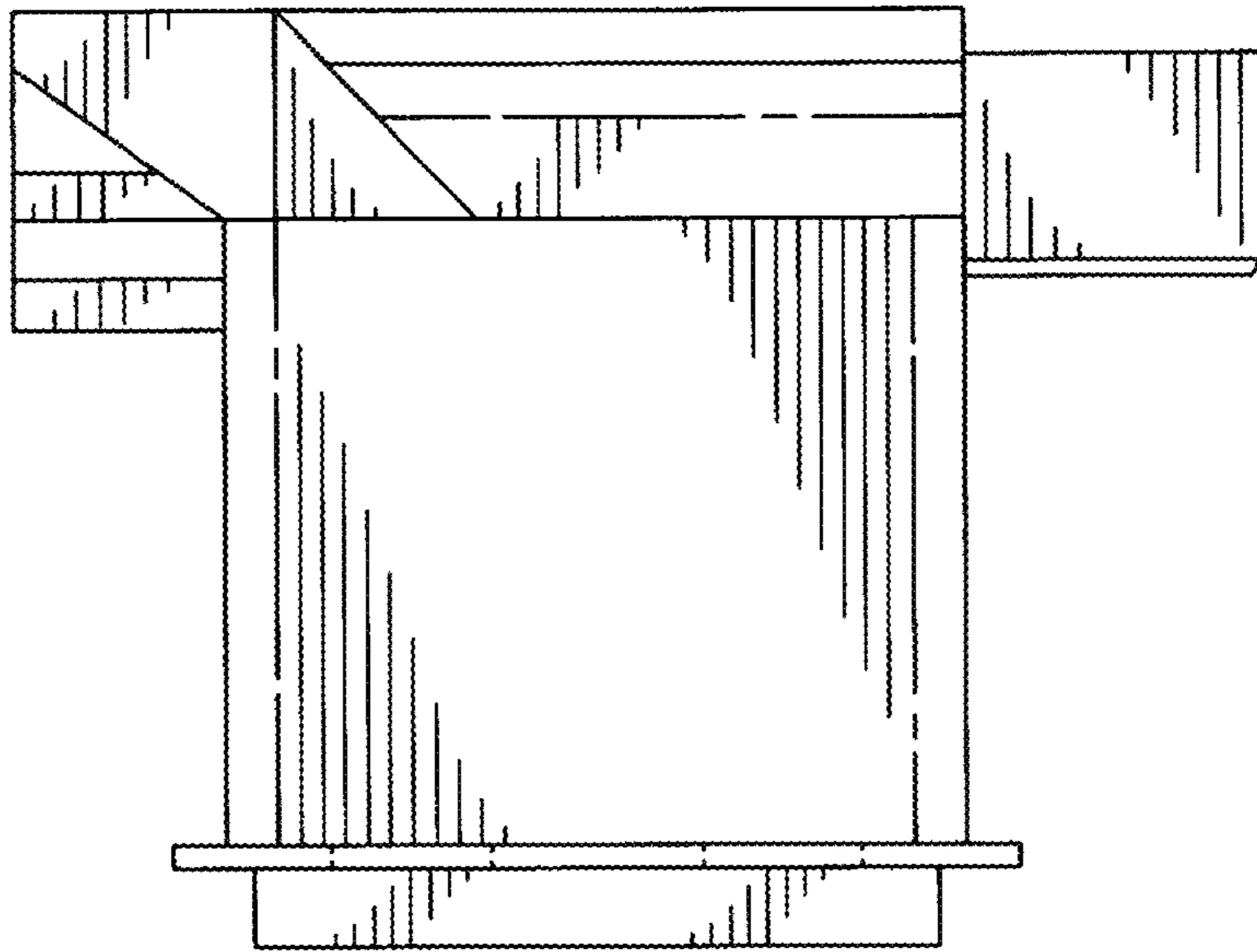


FIG. 9