



US00D754072S

(12) **United States Design Patent**
Katagiyama et al.

(10) **Patent No.:** **US D754,072 S**
(45) **Date of Patent:** **** Apr. 19, 2016**

(54) **ADAPTER FOR OPTICAL CONNECTOR**

(71) Applicant: **Japan Aviation Electronics Industry, Limited**, Tokyo (JP)

(72) Inventors: **Naoki Katagiyama**, Tokyo (JP); **Yuichi Koreeda**, Tokyo (JP)

(73) Assignee: **JAPAN AVIATION ELECTRONICS INDUSTRY, LIMITED**, Tokyo (JP)

(**) Term: **14 Years**

(21) Appl. No.: **29/510,906**

(22) Filed: **Dec. 4, 2014**

(30) **Foreign Application Priority Data**

Jun. 12, 2014 (JP) 2014-012700

(51) **LOC (10) Cl.** **13-03**

(52) **U.S. Cl.**
USPC **D13/133**

(58) **Field of Classification Search**
USPC D13/110, 118, 123, 133, 146, 147, 149,
D13/154, 184, 199
CPC H01H 2219/002; H01H 2219/054;
H01H 9/0044; H01H 3/00; G02B 6/36;
G02B 6/38; G02B 6/381
See application file for complete search history.

(56) **References Cited**

U.S. PATENT DOCUMENTS

D331,910 S	*	12/1992	Sato	D13/133
D445,089 S	*	7/2001	Sato	D13/133
D446,501 S	*	8/2001	Donnell	D13/123
D461,772 S	*	8/2002	Zhou	D13/133
D537,783 S	*	3/2007	Hamada	D13/133
D682,210 S	*	5/2013	Yang	D13/133
D689,821 S	*	9/2013	Yang	D13/133
D734,723 S	*	7/2015	Scholeno	D13/133

2012/0195555	A1*	8/2012	Jibiki	G02B 6/3825 385/75
2012/0243831	A1*	9/2012	Chen	G02B 6/3825 385/55
2015/0055928	A1*	2/2015	Yoshizaki	G02B 6/3849 385/139

* cited by examiner

Primary Examiner — Thomas Johannes

Assistant Examiner — Shawn T Gingrich

(74) *Attorney, Agent, or Firm* — Manabu Kanesaka

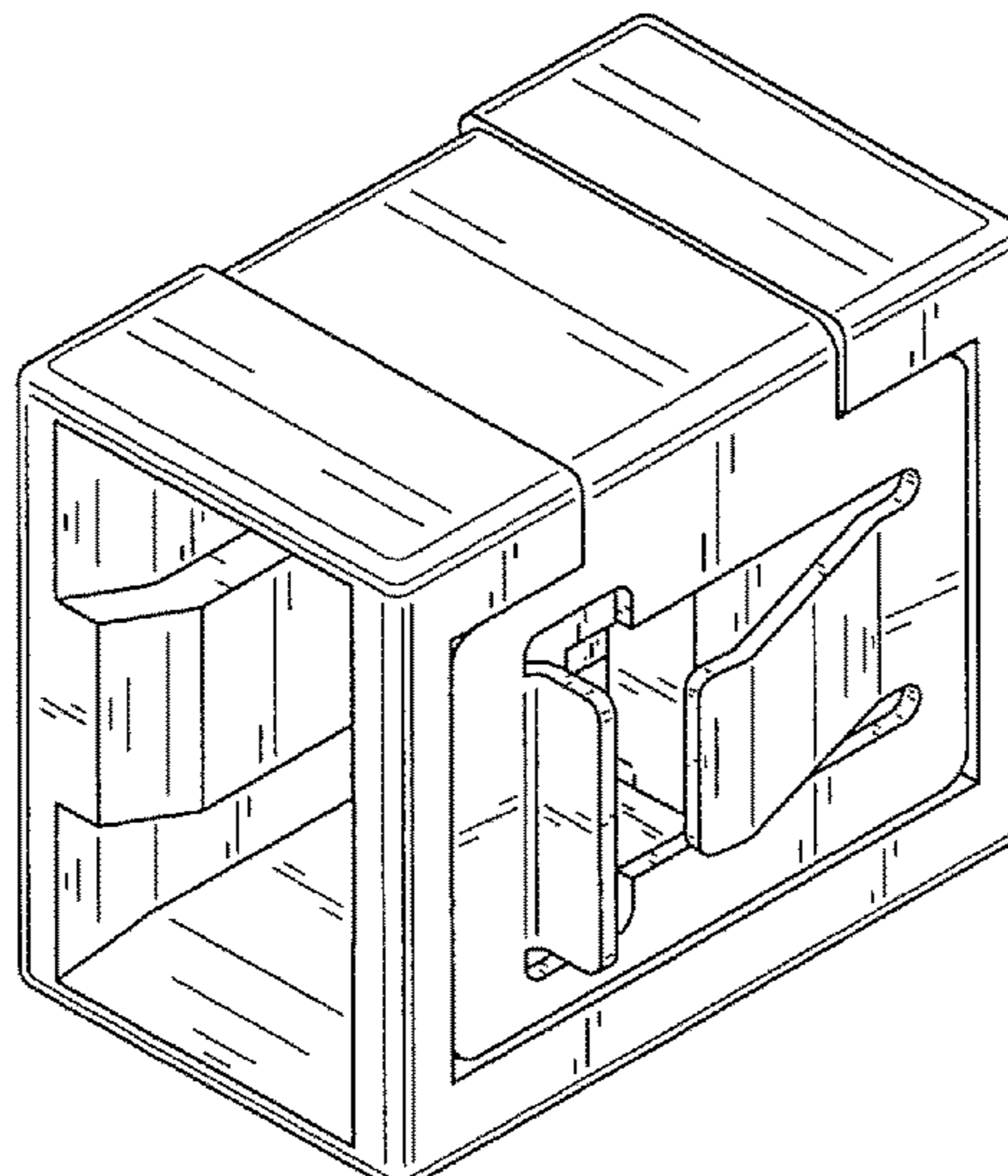
(57) **CLAIM**

The ornamental design for an adapter for an optical connector, as shown and described.

DESCRIPTION

FIG. 1 is a front view of an adapter for an optical connector showing our new design;
 FIG. 2 is a rear view thereof;
 FIG. 3 is a right side view thereof;
 FIG. 4 is a left side view thereof;
 FIG. 5 is a plan view thereof;
 FIG. 6 is a bottom view thereof;
 FIG. 7 is a perspective view showing a front, top and right side thereof;
 FIG. 8 is a perspective view showing a rear, bottom and left side thereof;
 FIG. 9 is a perspective view showing a front, right side and bottom thereof;
 FIG. 10 is a perspective view showing a rear, left side and top thereof;
 FIG. 11 is a cross sectional view thereof taken along line 11-11 in FIG. 1; and,
 FIG. 12 is a cross sectional view thereof taken along line 12-12 in FIG. 1.
 The broken lines are shown for environmental purposes only and depict portions of the adapter for optical connector that form no part of claimed design.

1 Claim, 6 Drawing Sheets



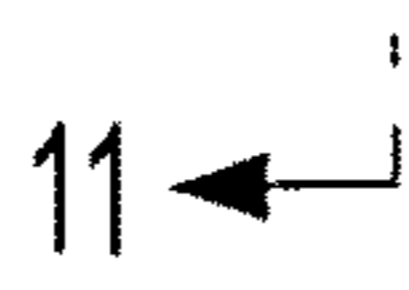
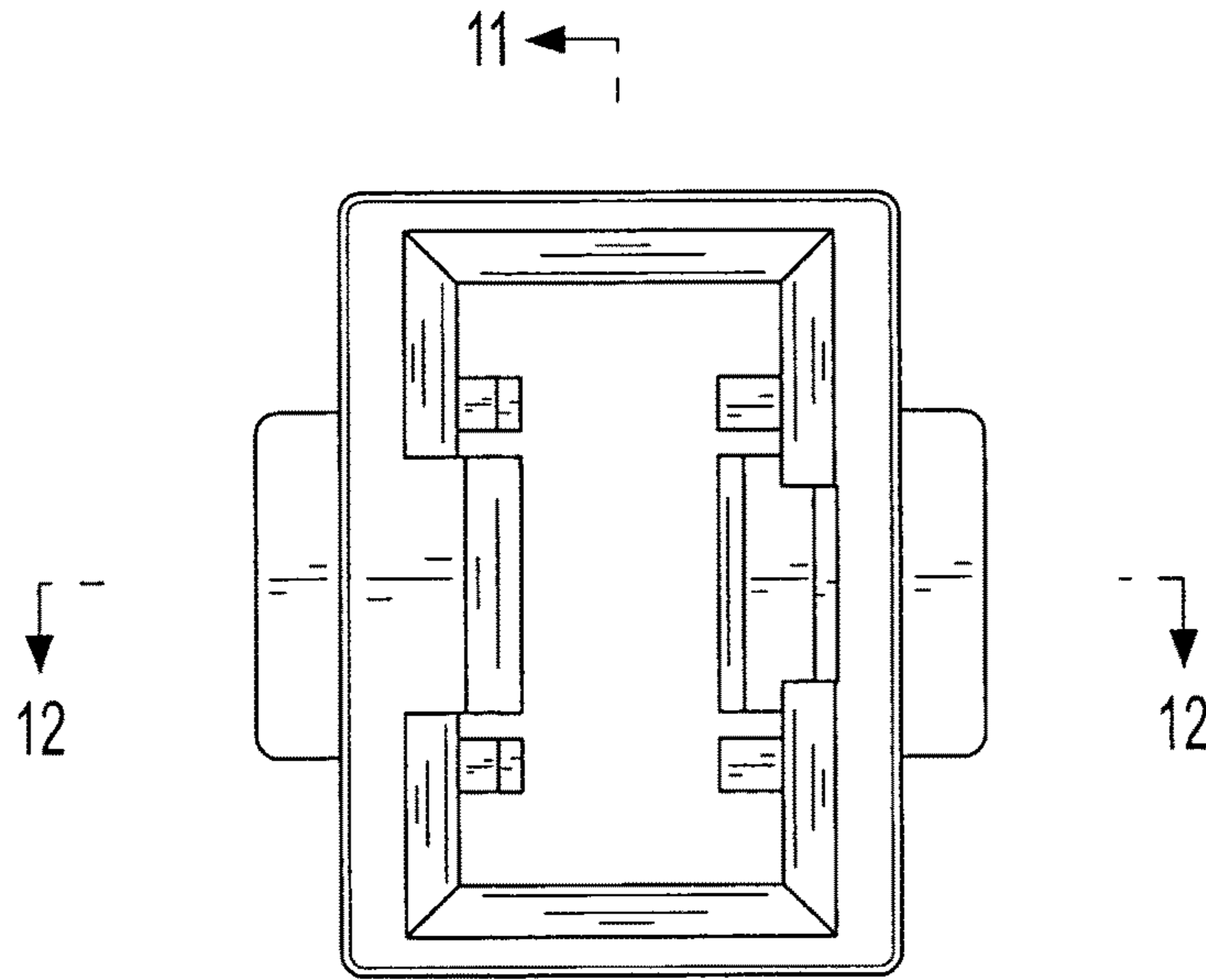


FIG. 1

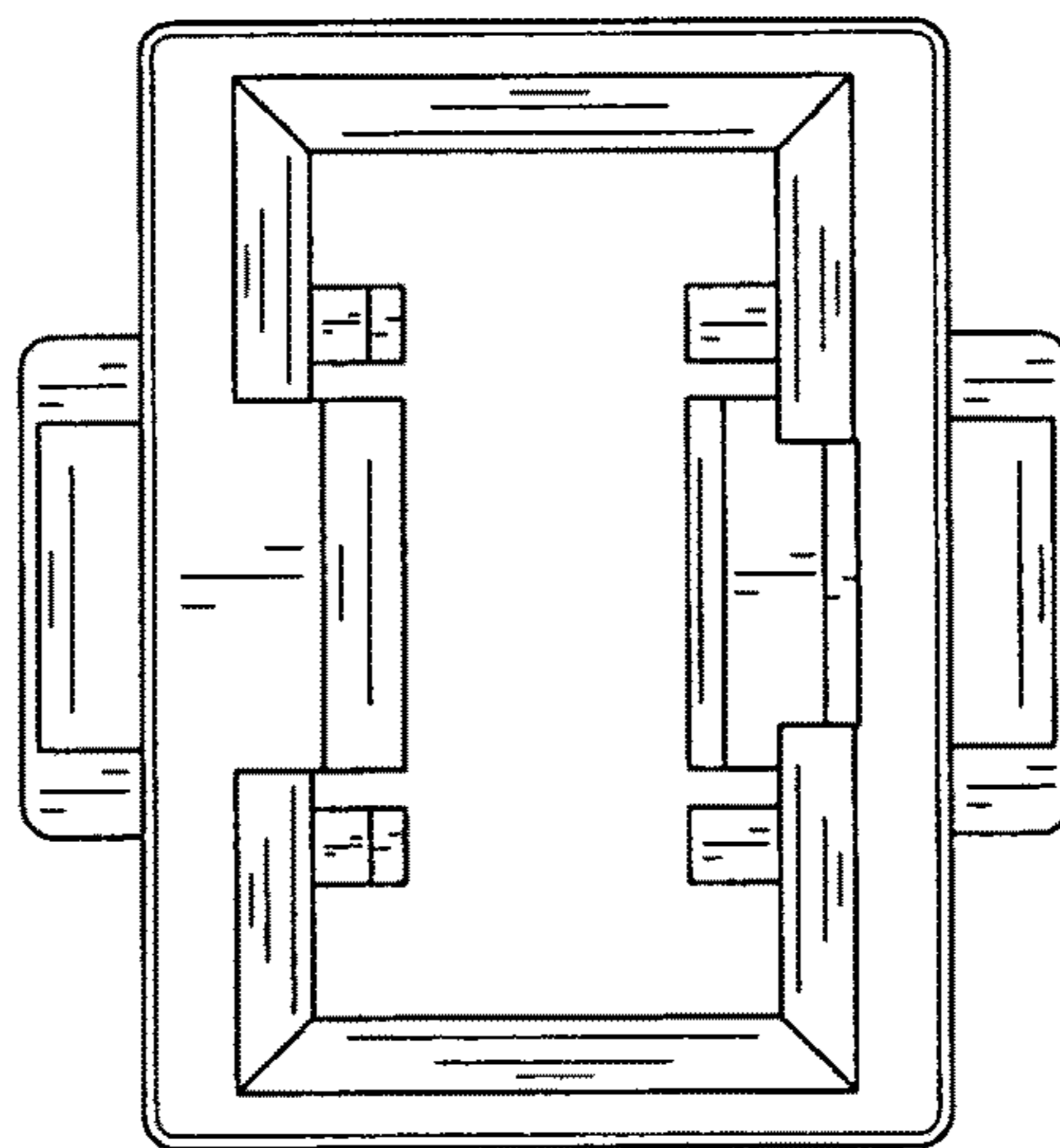


FIG. 2

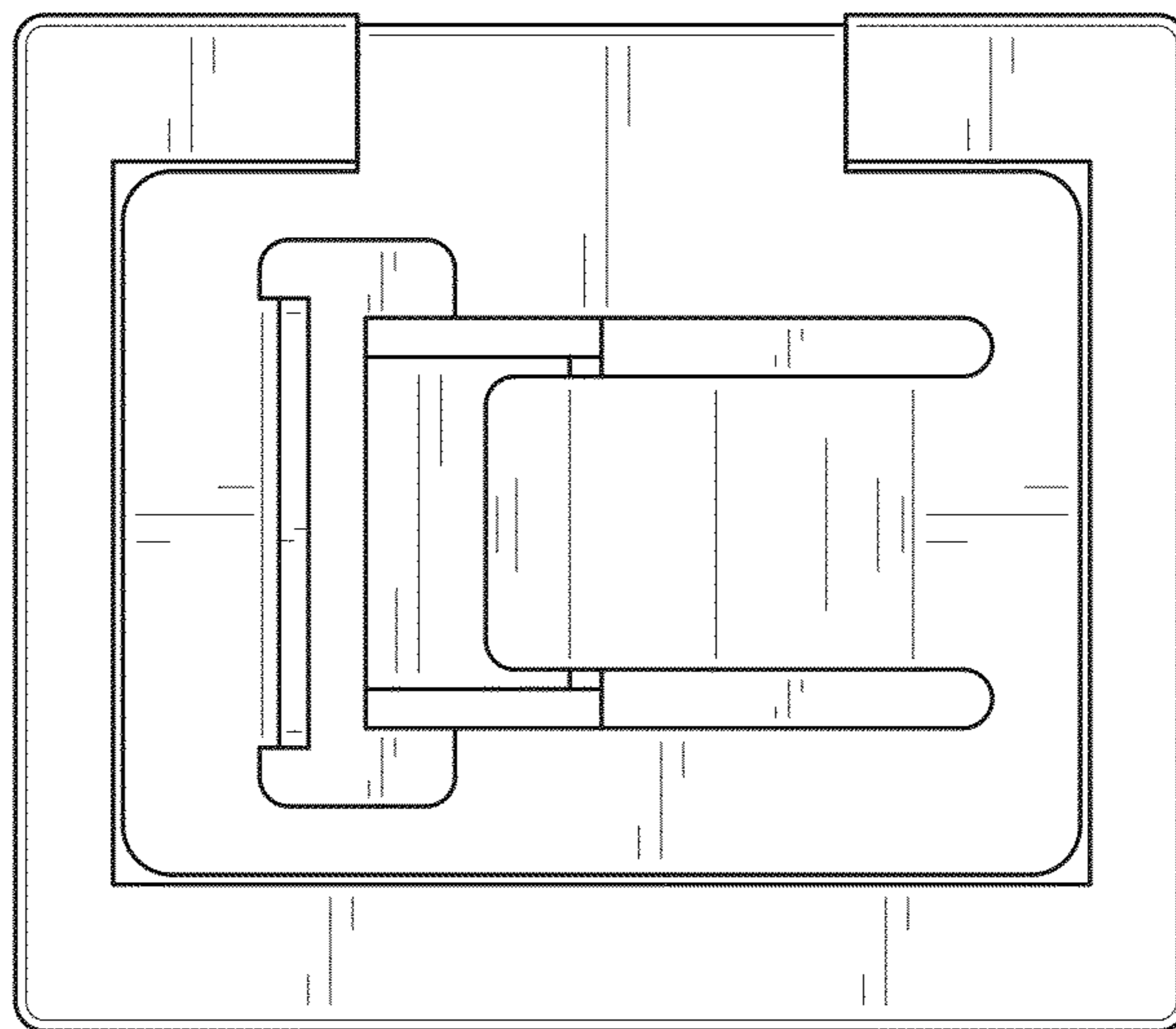


FIG. 3

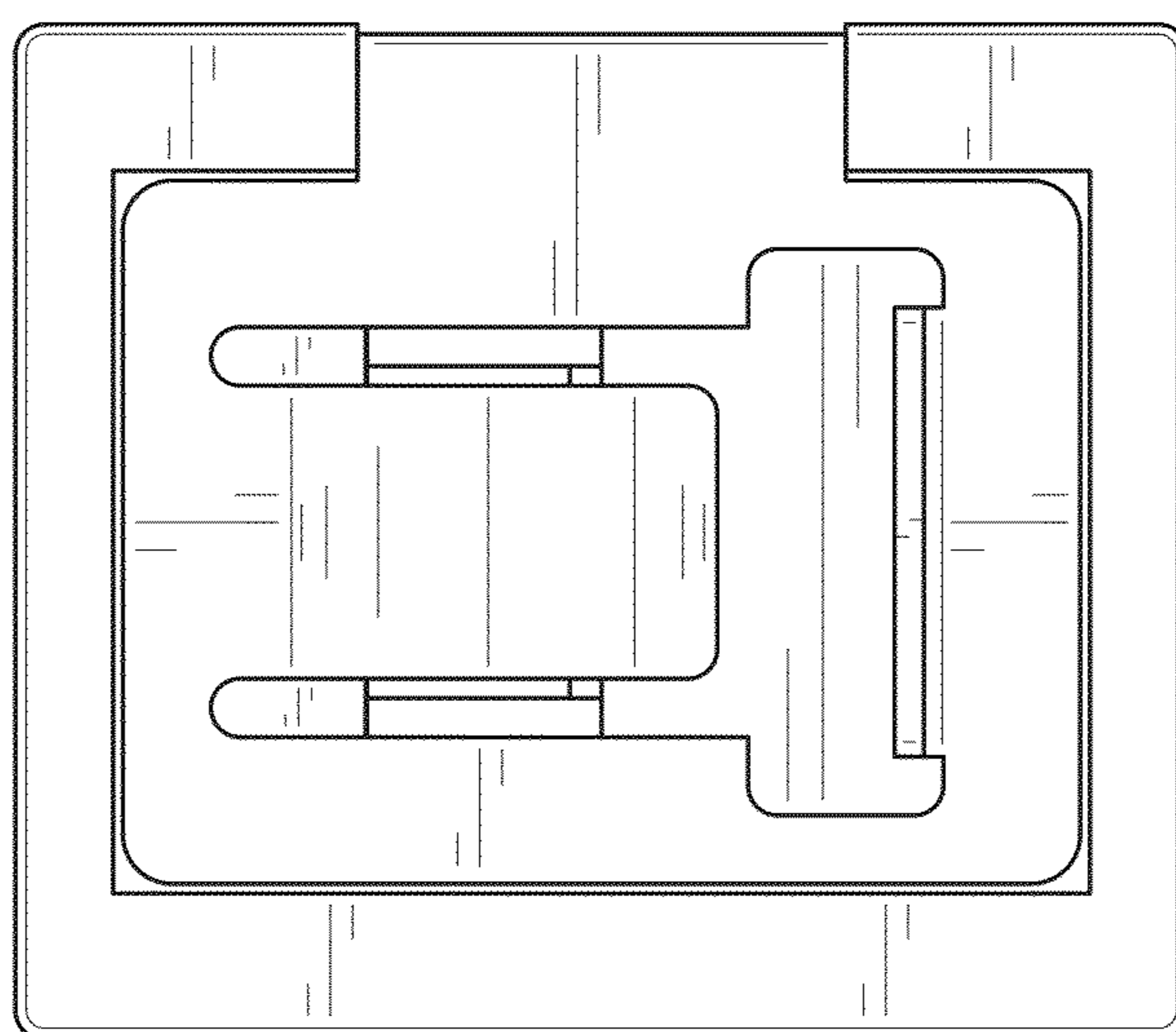


FIG. 4

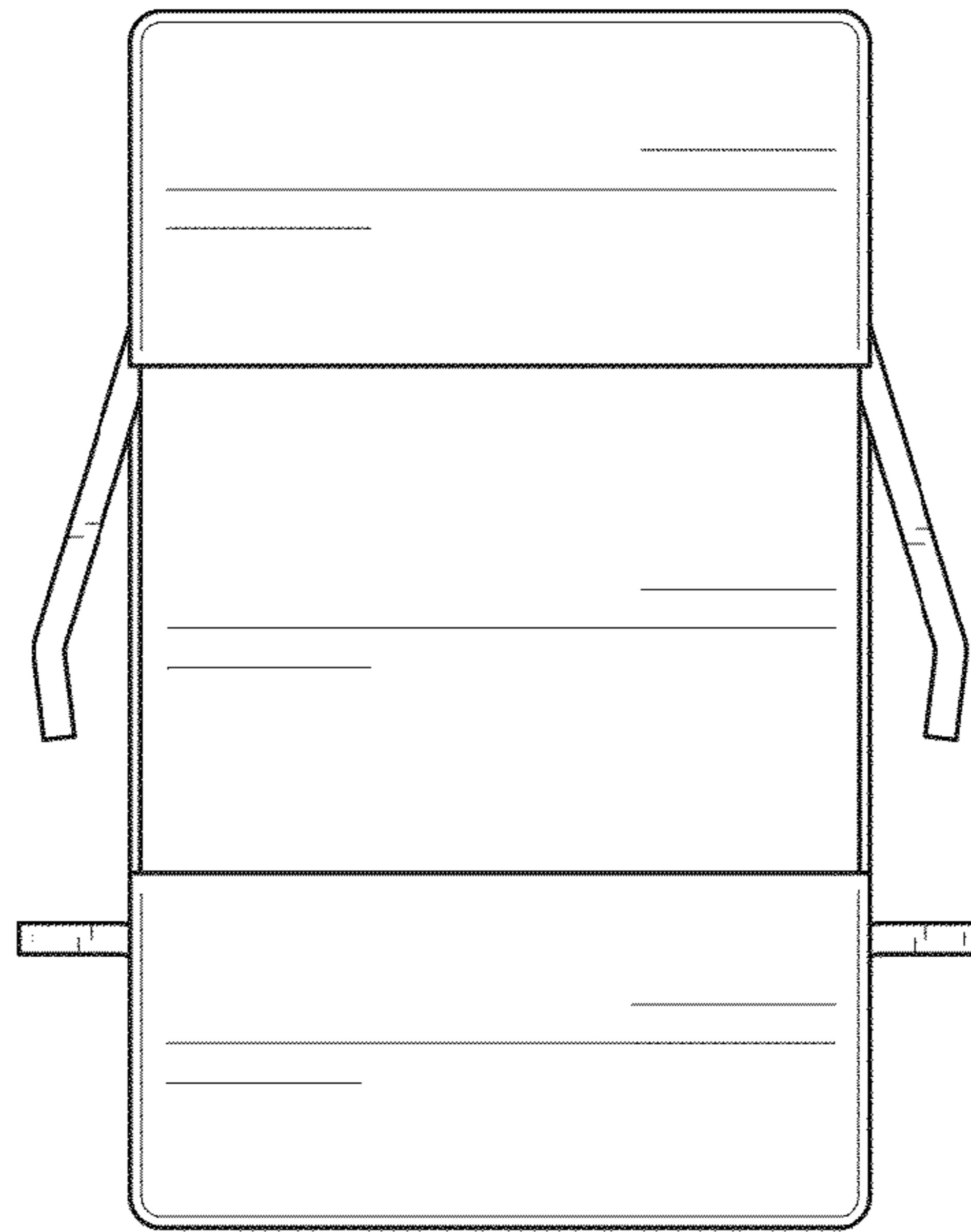


FIG. 5

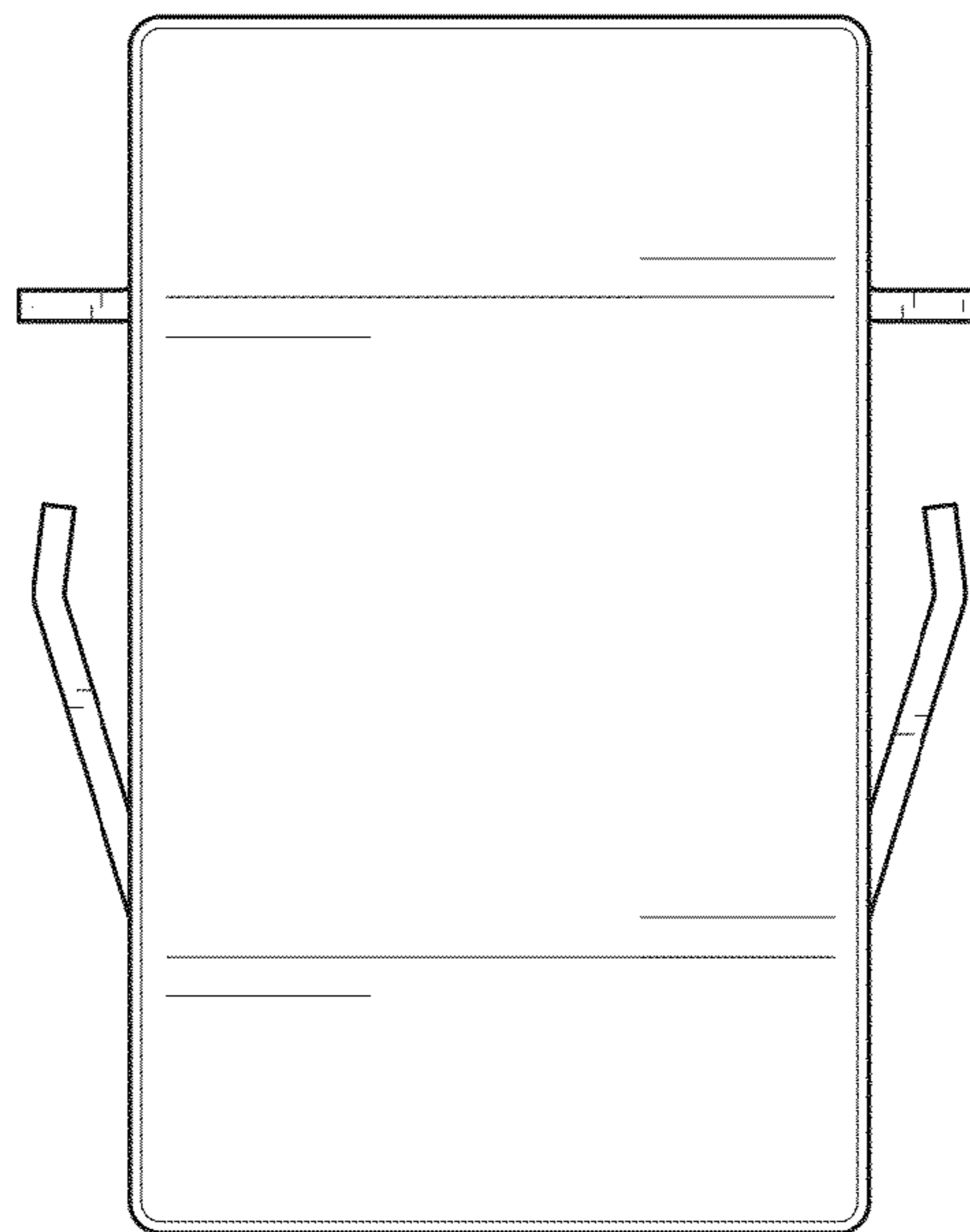


FIG. 6

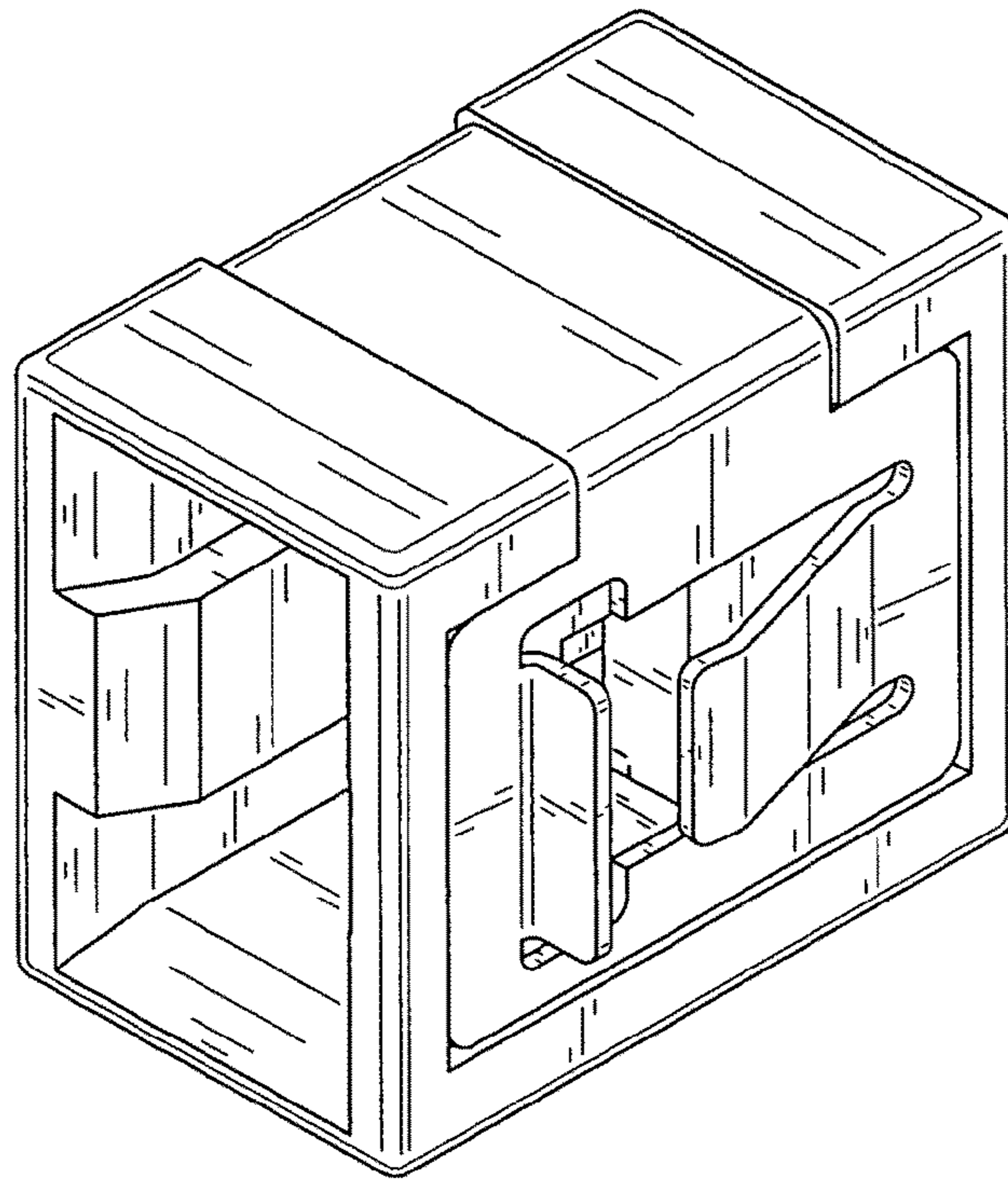


FIG. 7

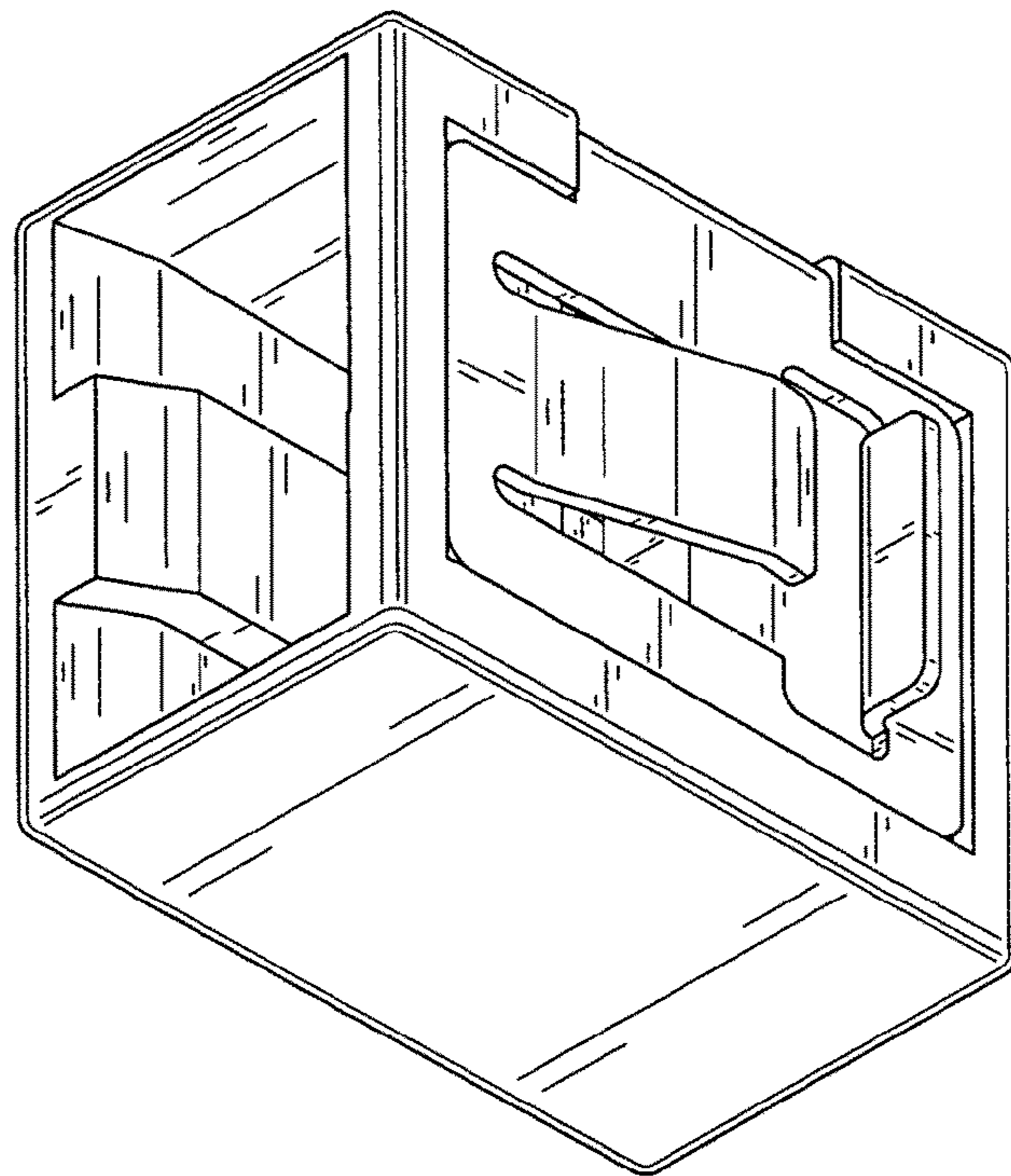


FIG. 8

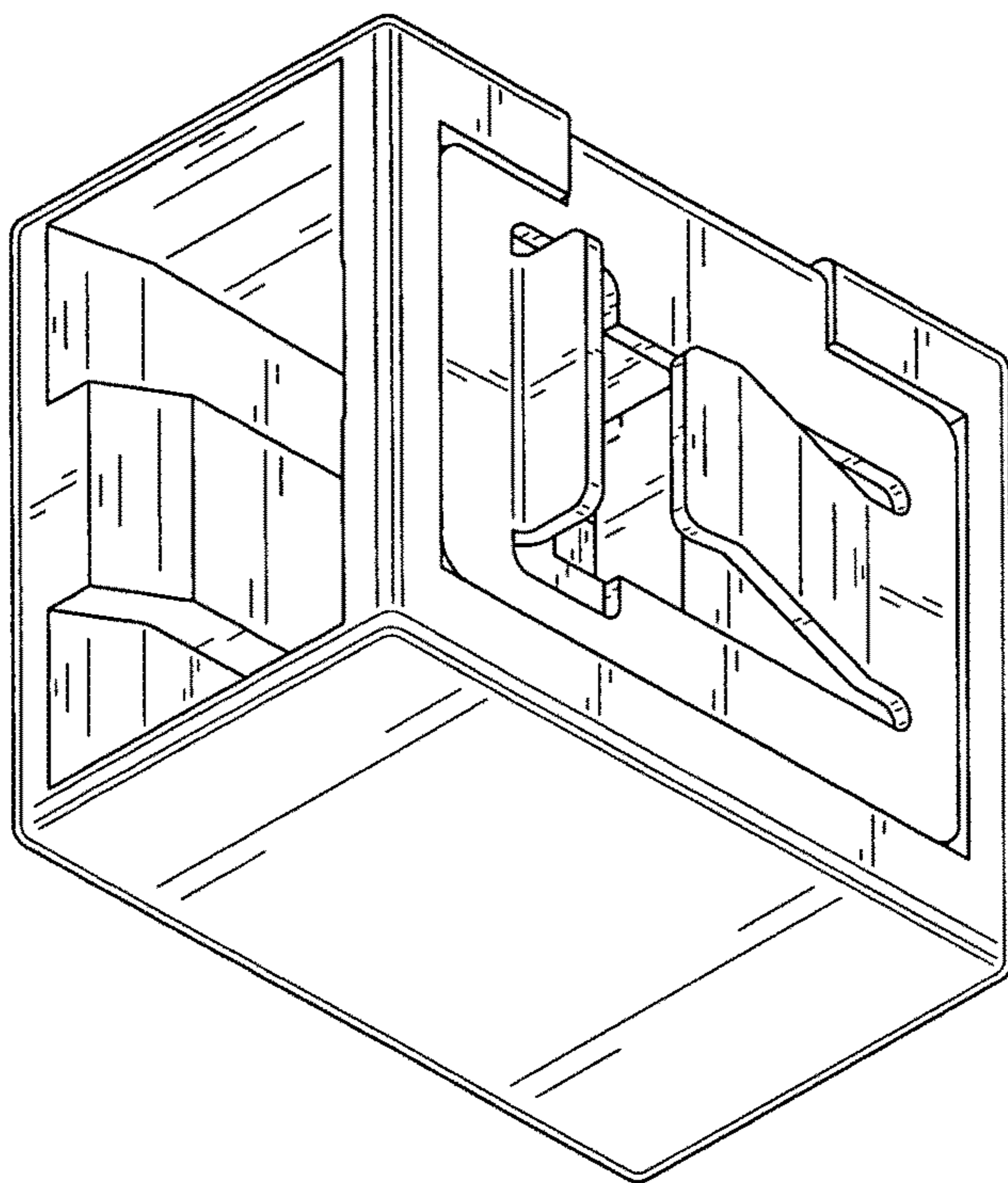


FIG. 9

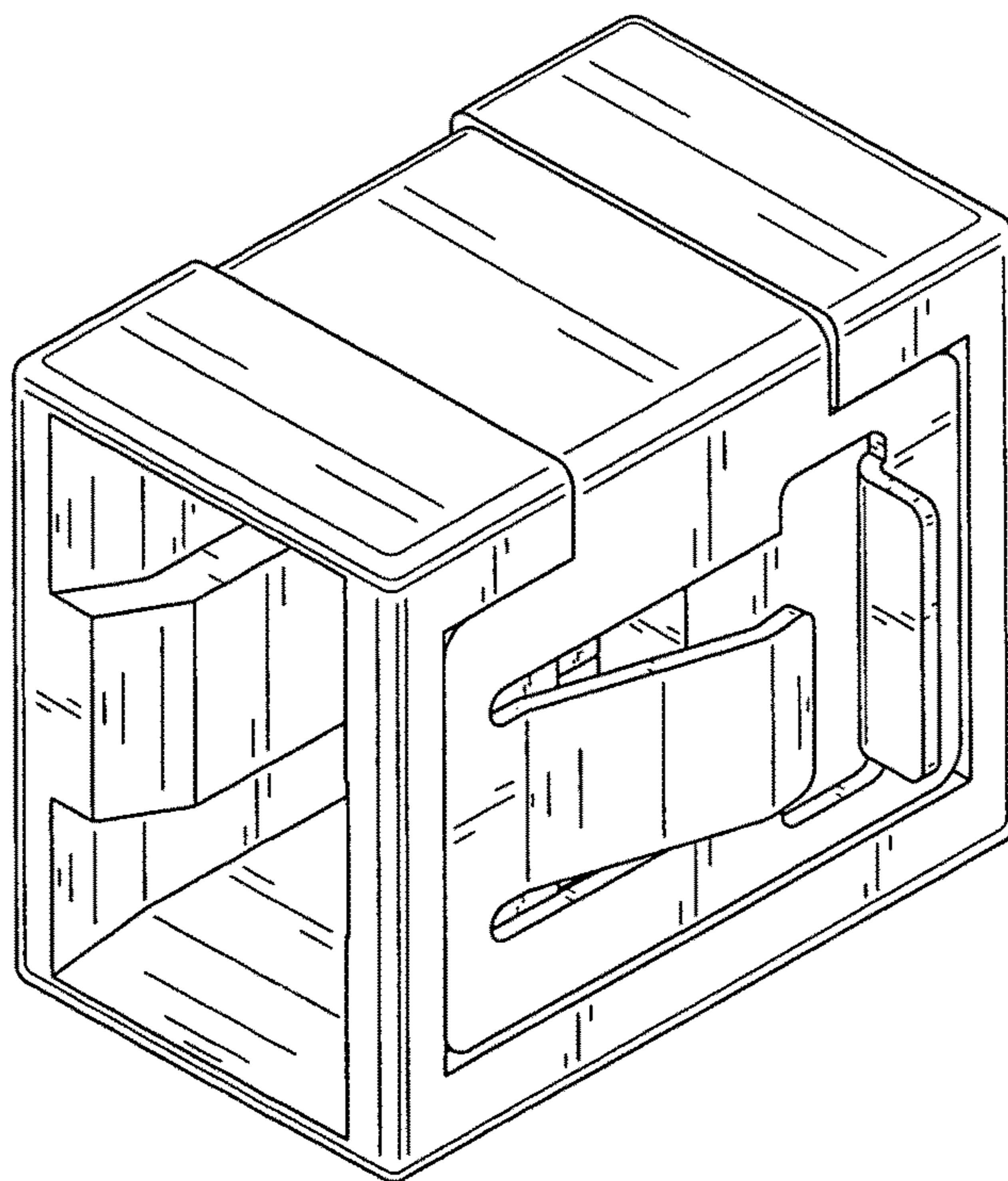


FIG. 10

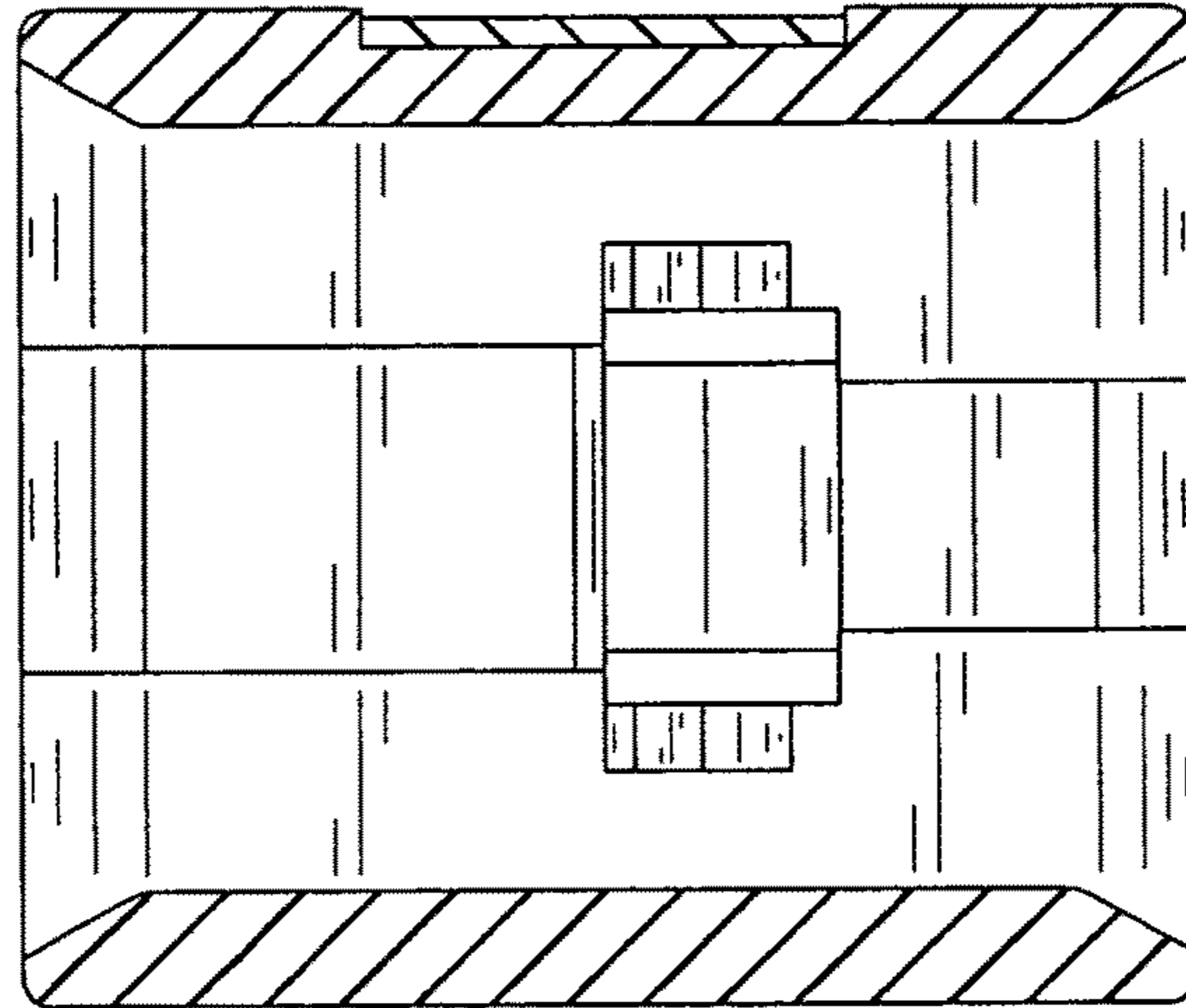


FIG. 11

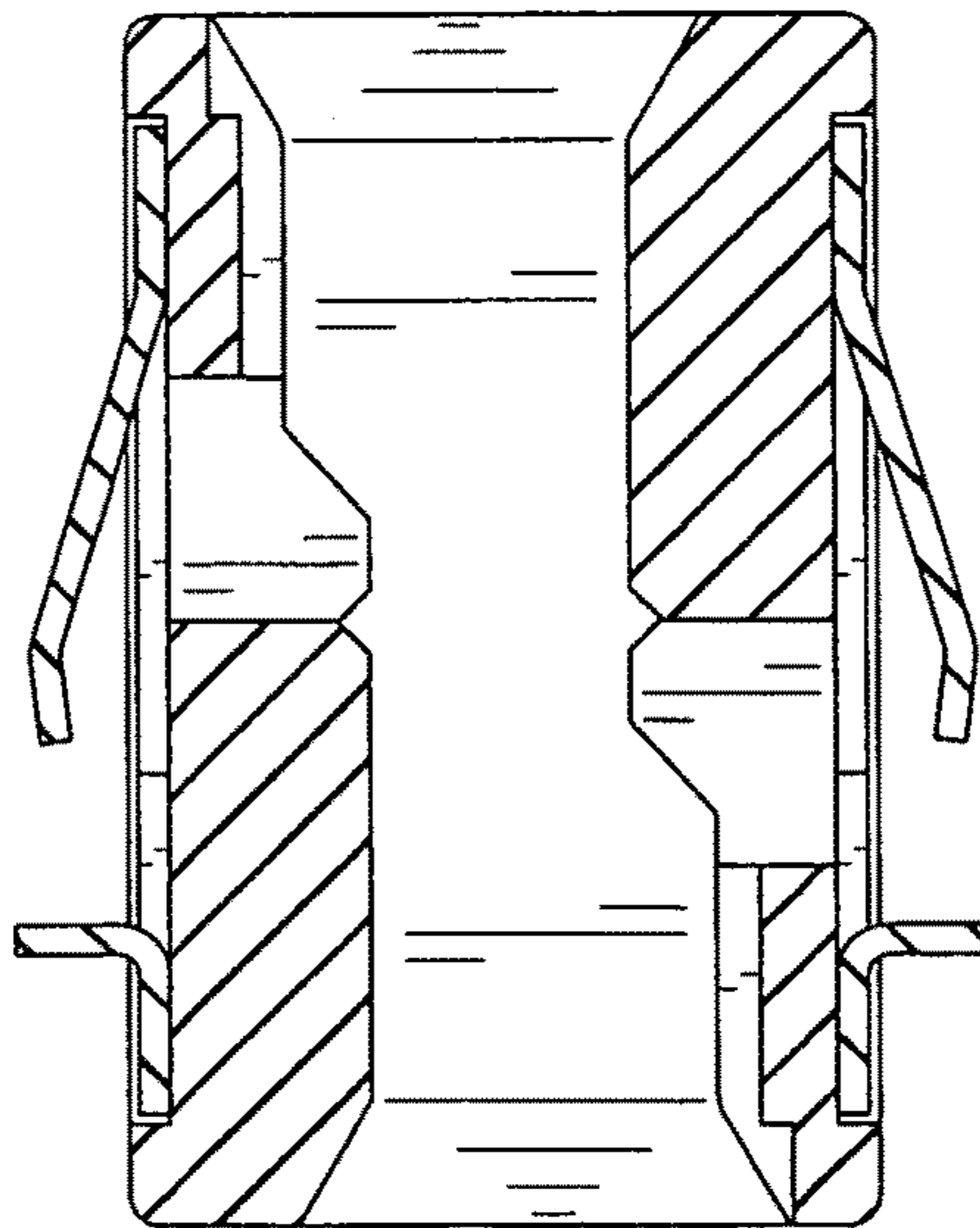


FIG. 12