



US00D754071S

(12) **United States Design Patent**
Wu et al.

(10) **Patent No.:** **US D754,071 S**
(45) **Date of Patent:** **** Apr. 19, 2016**

(54) **WIRE TERMINAL**

(71) Applicants: **SWITCHLAB INC.**, New Taipei (TW);
Switchlab (Shanghai) Co., Ltd.,
Shanghai (CN)

(72) Inventors: **Chih-Yuan Wu**, New Taipei (TW);
Shao-Te Chang, New Taipei (TW)

(73) Assignees: **SWITCHLAB INC.**, New Taipei (TW);
Switchlab (Shanghai) Co., Ltd.,
Shanghai (CN)

(**) Term: **14 Years**

(21) Appl. No.: **29/507,498**

(22) Filed: **Oct. 28, 2014**

(30) **Foreign Application Priority Data**

Aug. 26, 2014 (TW) 103302602D01

(51) **LOC (10) Cl.** **13-03**

(52) **U.S. Cl.**
USPC **D13/133**

(58) **Field of Classification Search**
USPC D13/123, 133, 146, 147, 154, 184, 199
See application file for complete search history.

(56) **References Cited**

U.S. PATENT DOCUMENTS

D625,270	S	*	10/2010	Schafmeister	D13/147
D673,117	S	*	12/2012	Gassauer	D13/133
D674,344	S	*	1/2013	Bies	D13/133
D693,303	S	*	11/2013	Bies	D13/133
D694,191	S	*	11/2013	Lien	D13/149
2011/0250775	A1	*	10/2011	Bies	H01R 12/53 439/296
2011/0250803	A1	*	10/2011	Bies	H01R 4/4836 439/752.5

* cited by examiner

Primary Examiner — Daniel Bui

(74) *Attorney, Agent, or Firm* — Rabin & Berdo, P.C.

(57) **CLAIM**

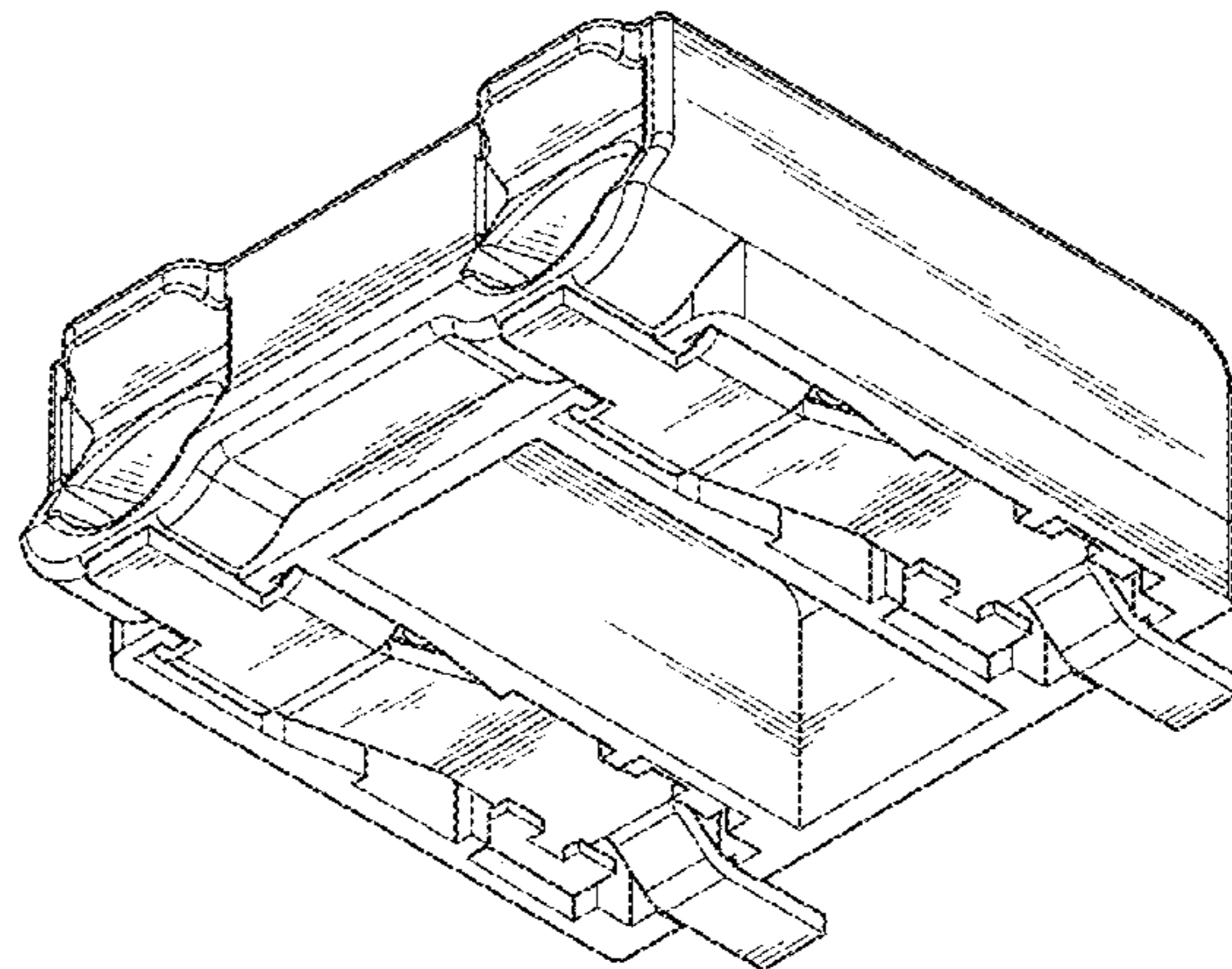
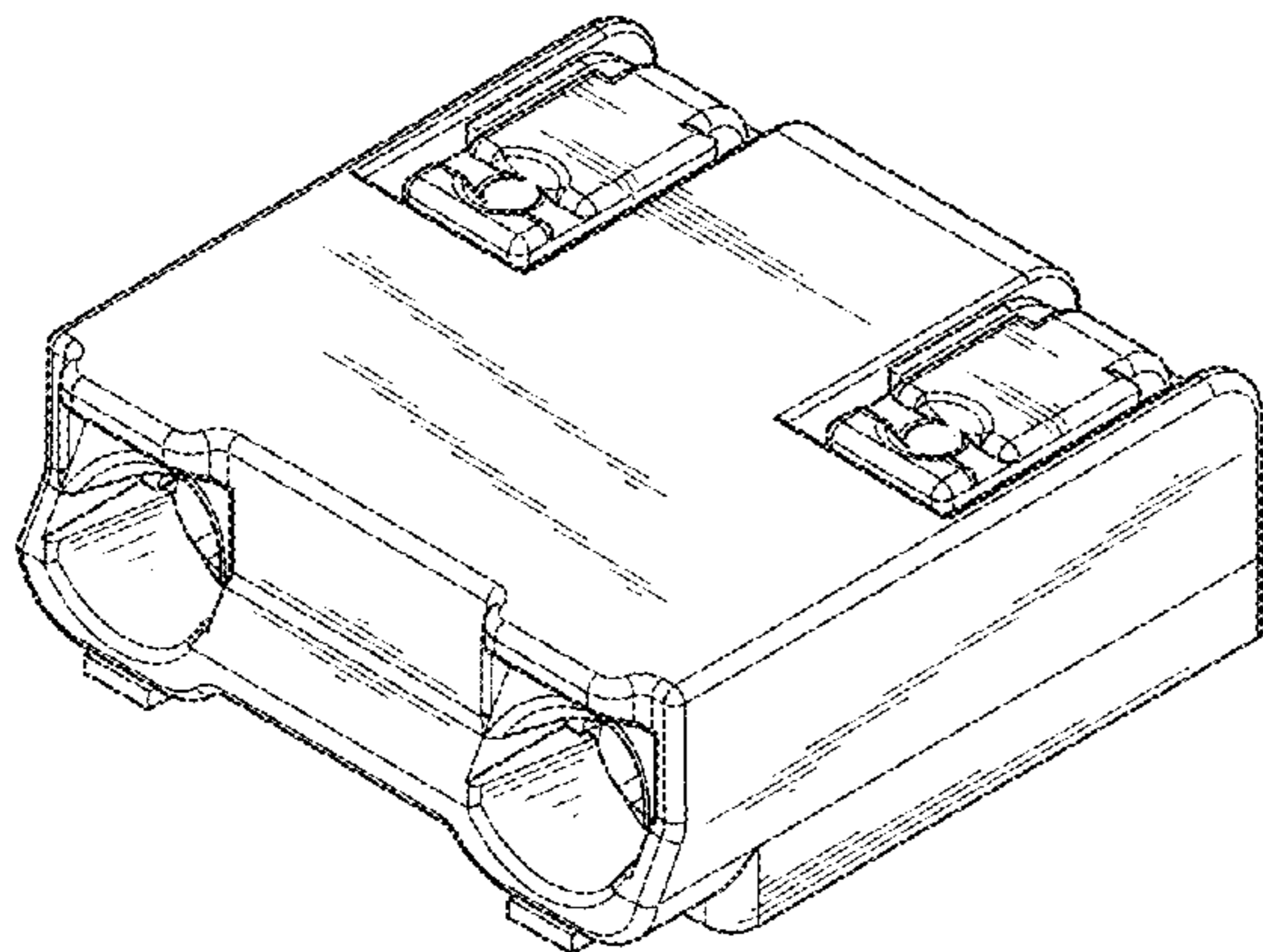
The ornamental design for a wire terminal, as shown and described.

DESCRIPTION

FIG. 1 is a top, front and right side perspective view of a wire terminal showing our new design;
FIG. 2 is a front elevational view thereof;
FIG. 3 is a rear elevational view thereof;
FIG. 4 is a left side elevational view thereof;
FIG. 5 is a right side elevational view thereof;
FIG. 6 is a top view thereof;
FIG. 7 is a bottom view thereof; and,
FIG. 8 is a bottom, front and left side perspective view thereof.

The broken line in the FIG. 2 represents unclaimed environment only and forms no part of the claimed design.

1 Claim, 8 Drawing Sheets



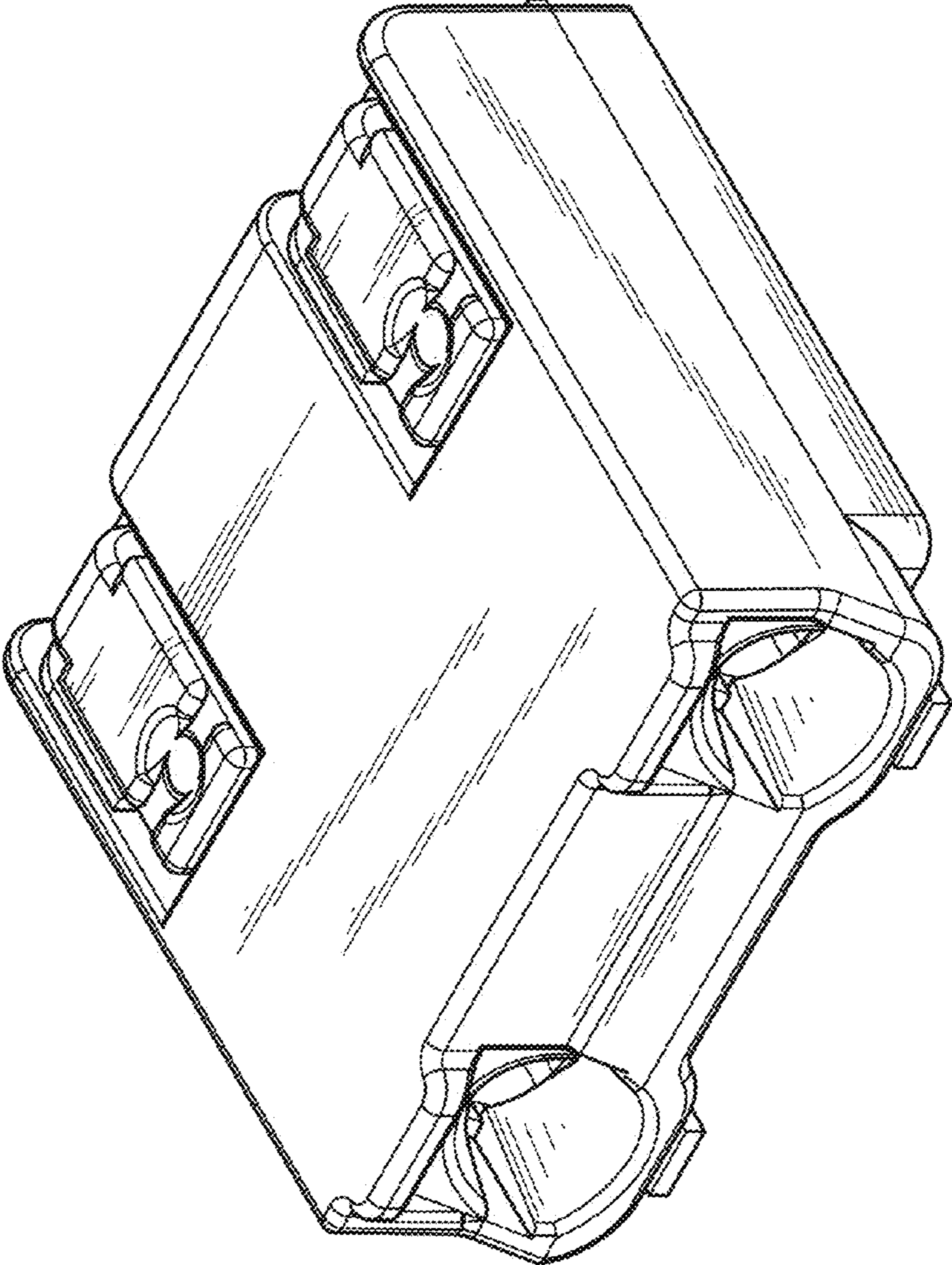


Fig. 1

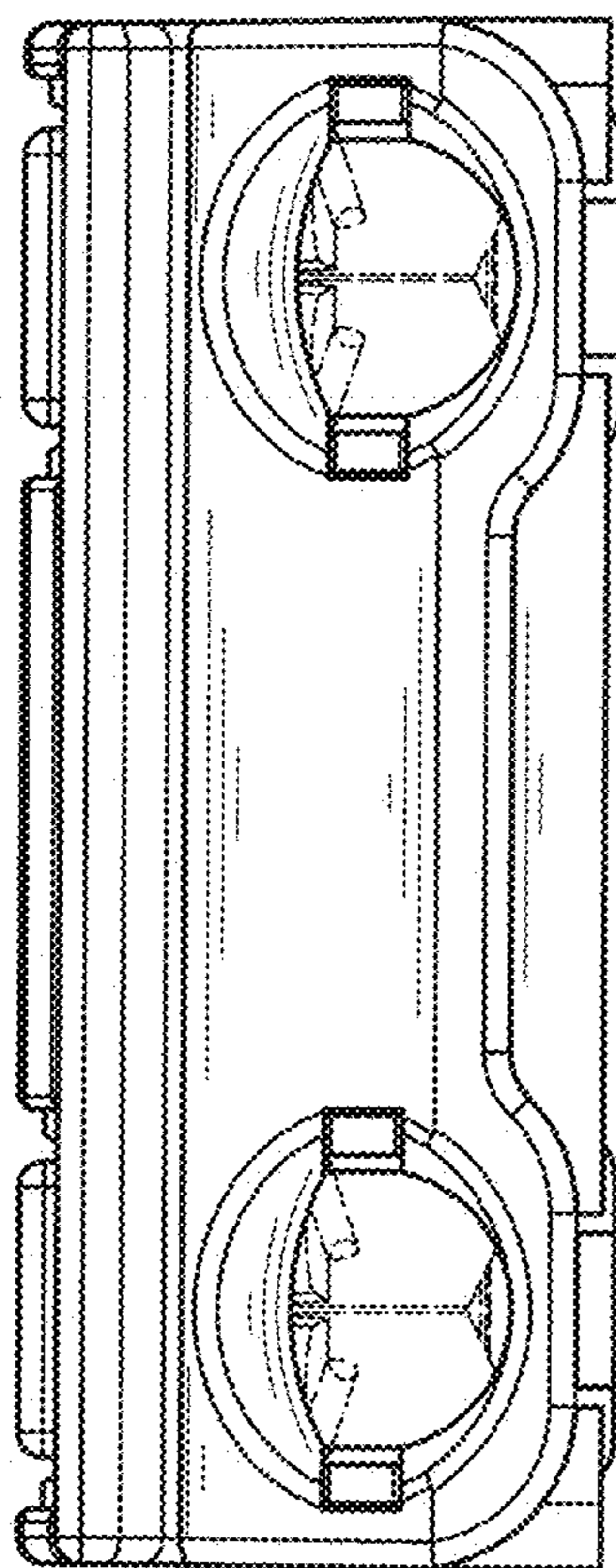


Fig. 2

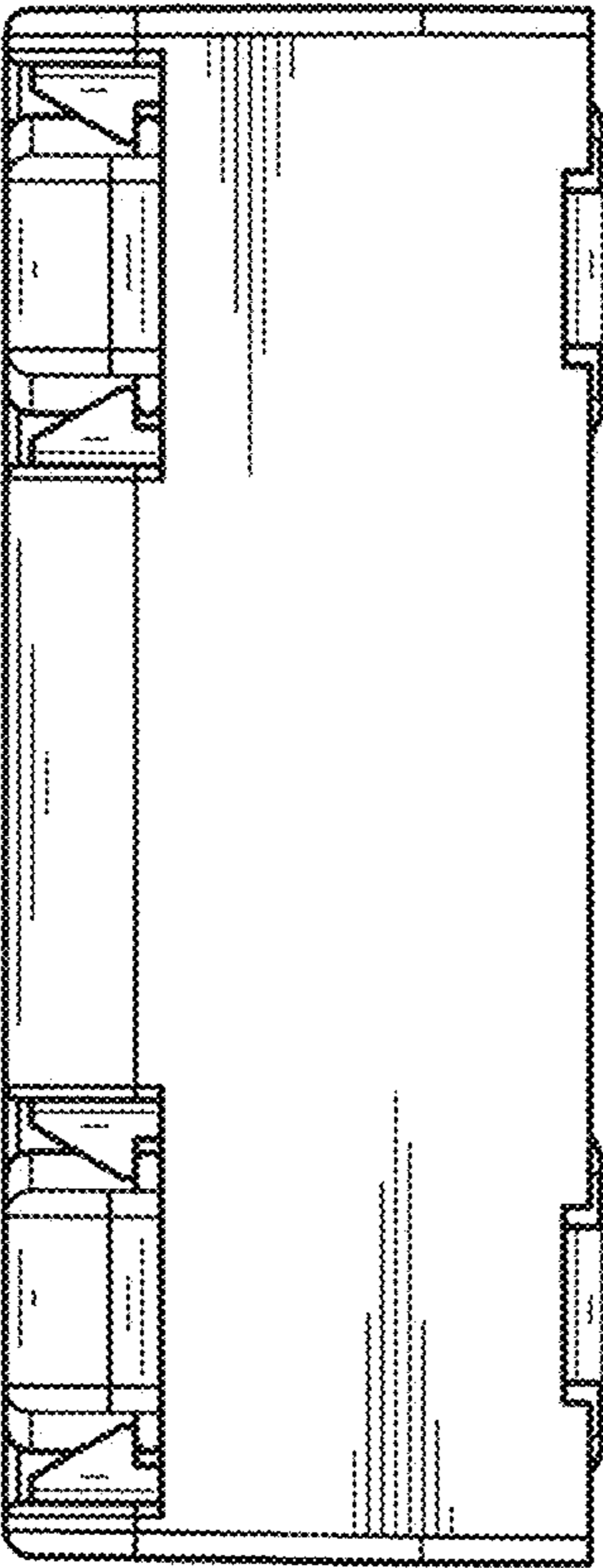


Fig. 3

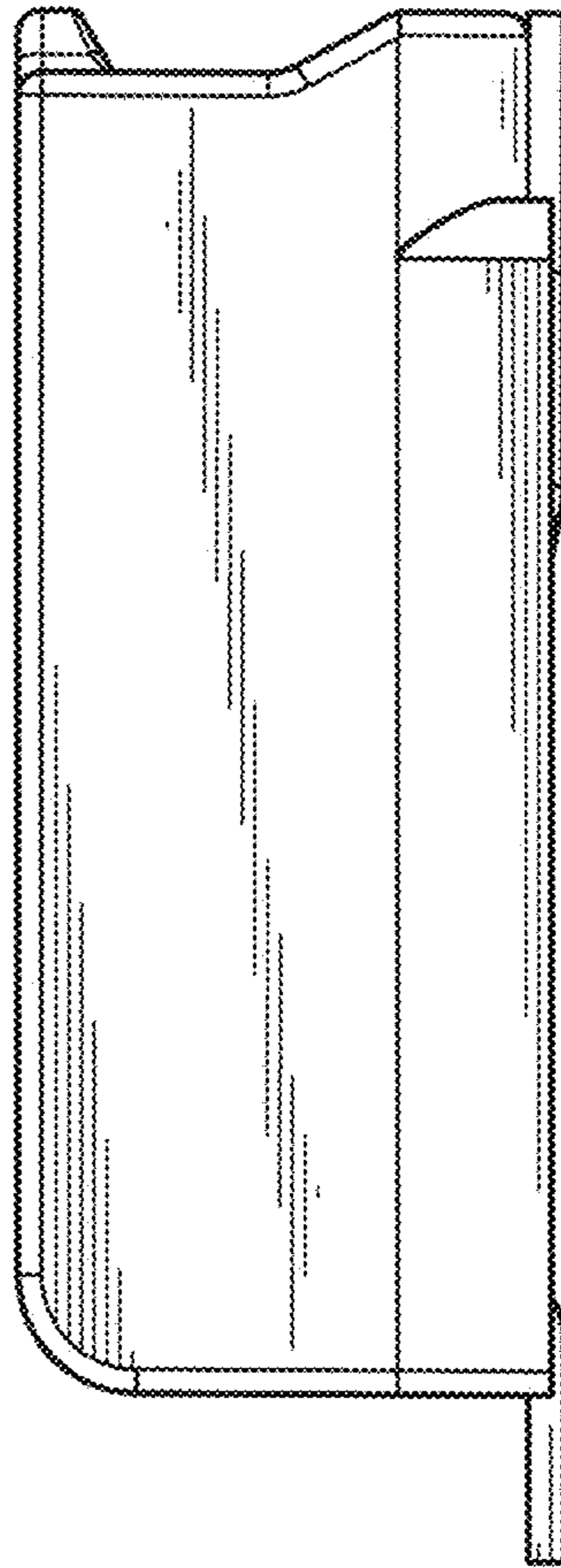


Fig. 4

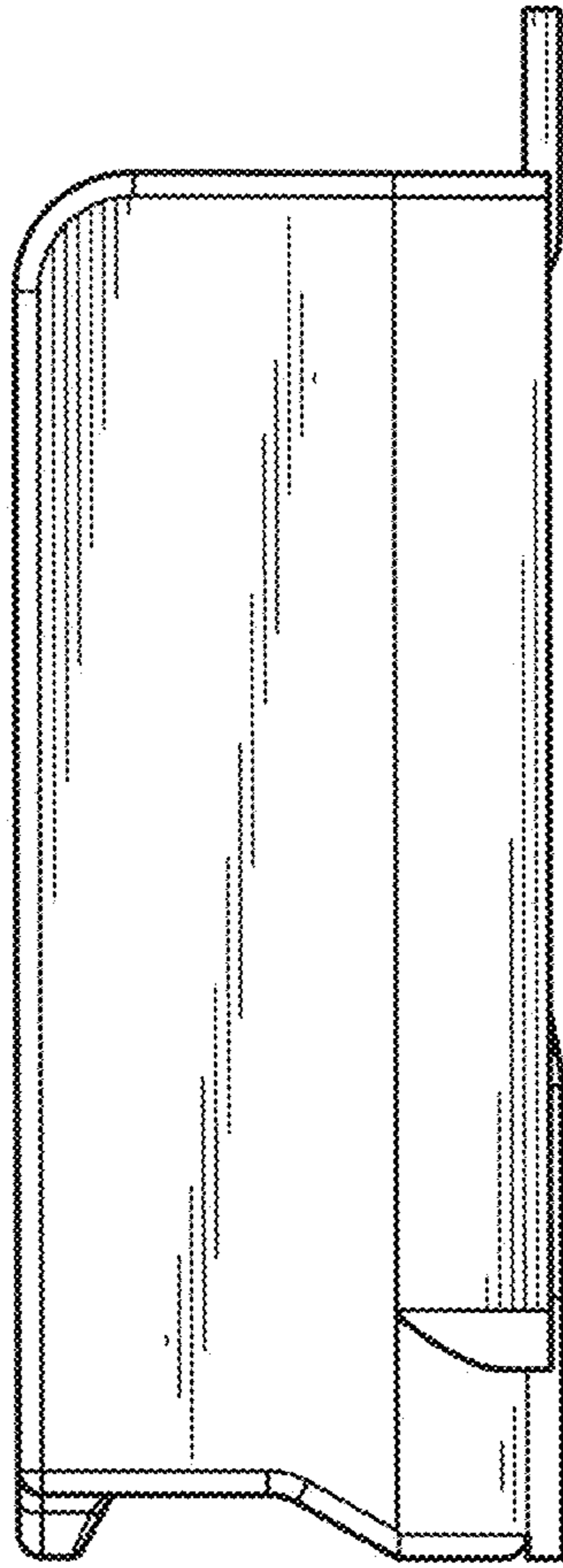


Fig. 5

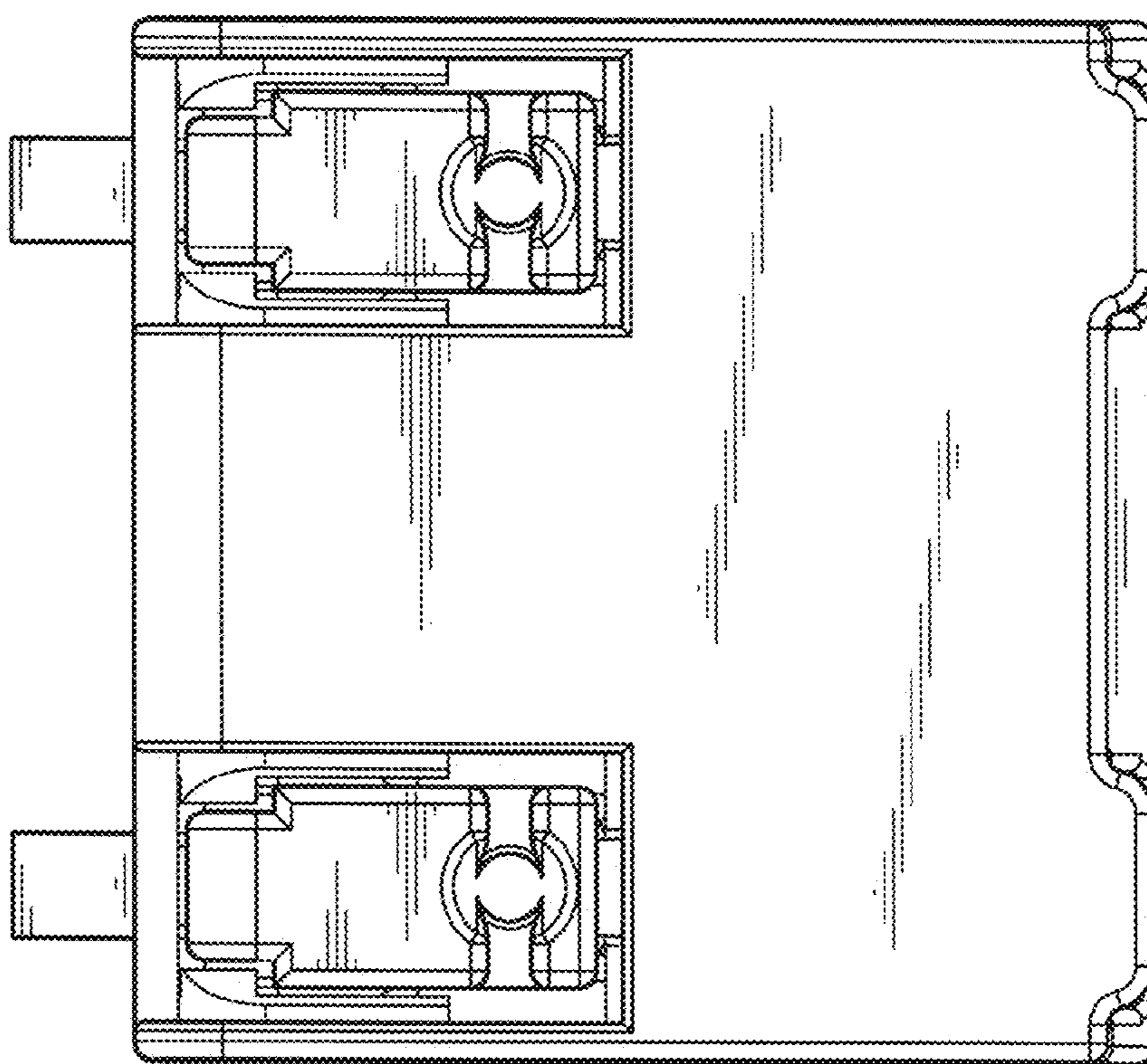


Fig. 6

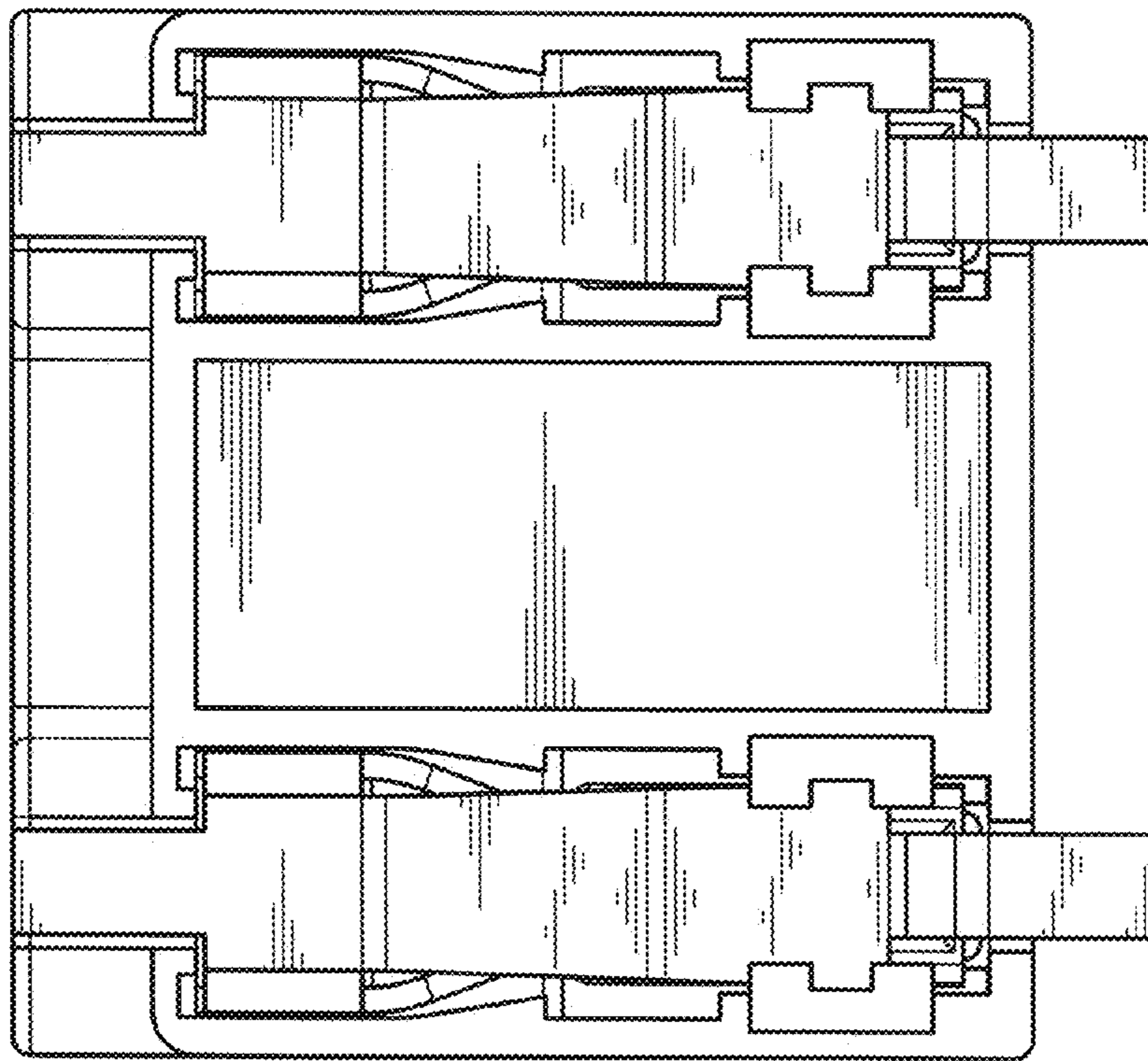


Fig. 7

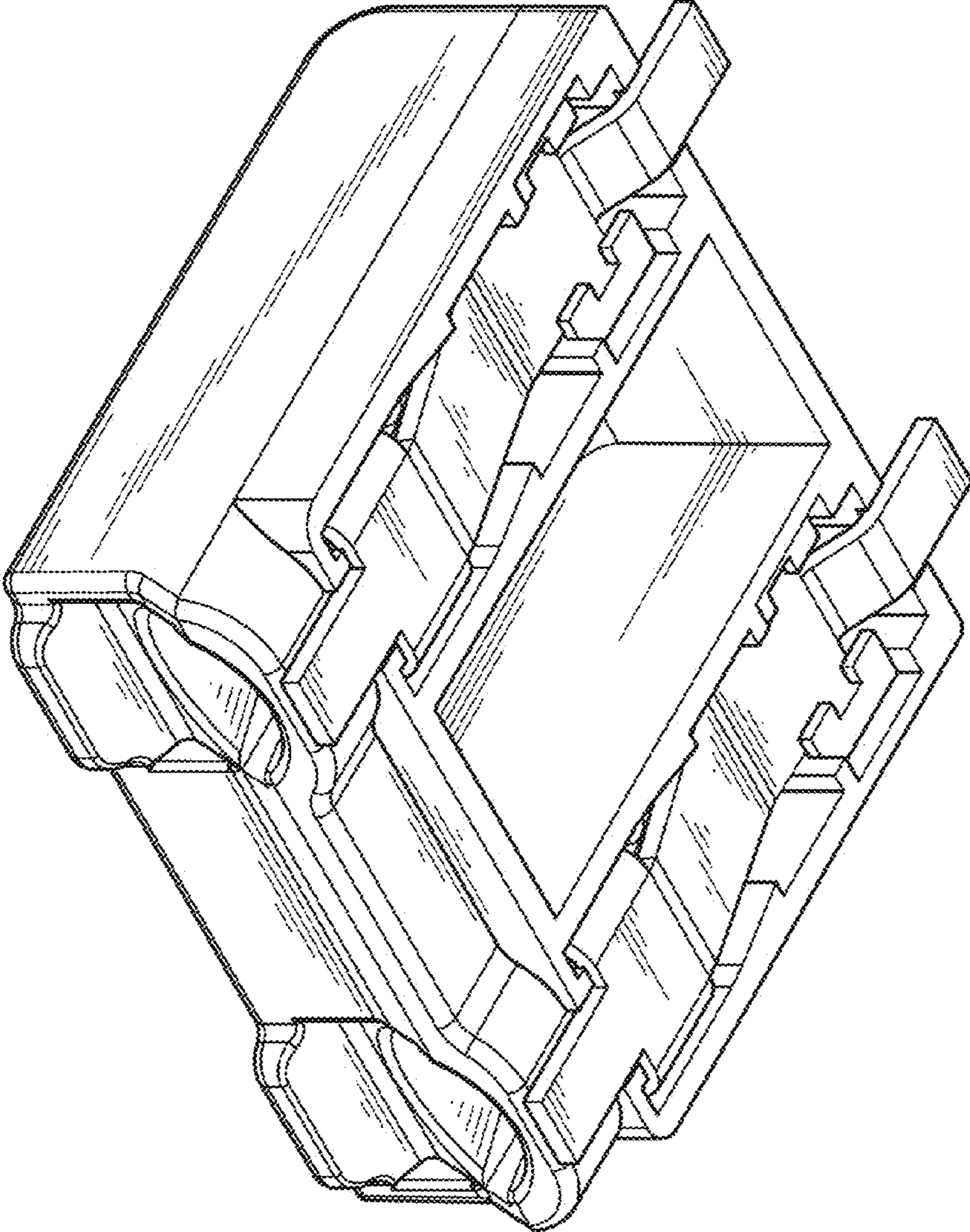


Fig. 8