



US00D754066S

(12) **United States Design Patent**
Yamada et al.

(10) **Patent No.:** **US D754,066 S**
(45) **Date of Patent:** **** Apr. 19, 2016**

(54) **TURBINE GENERATOR**

(56) **References Cited**

(71) Applicant: **mitsubishi electric corporation**, Tokyo (JP)

U.S. PATENT DOCUMENTS

(72) Inventors: **Wataru Yamada**, Tokyo (JP); **Hideaki Maeda**, Tokyo (JP); **Shinichi Kimata**, Tokyo (JP); **Kiyonori Koga**, Tokyo (JP); **Fumio Matsumoto**, Tokyo (JP); **Shingo Kingetsu**, Tokyo (JP)

1,645,411	A	*	10/1927	Blake	290/52
D133,650	S	*	9/1942	Vogel	D13/114
D133,651	S	*	9/1942	Vogel	D13/114
2,460,502	A	*	2/1949	Heintz	310/91
D213,563	S	*	3/1969	Mabuchi	D13/112
D239,562	S	*	4/1976	Matousek et al.	D13/112
4,488,072	A	*	12/1984	Archibald et al.	310/71
D342,955	S	*	1/1994	Bankier et al.	D15/5
D347,619	S	*	6/1994	VanHorn et al.	D13/113
5,814,912	A	*	9/1998	Ross	310/71
D462,937	S	*	9/2002	Nord	D13/112
D537,411	S	*	2/2007	Katada	D13/112
D538,743	S	*	3/2007	Katada et al.	D13/112
D576,548	S	*	9/2008	Andersson et al.	D13/112
D729,732	S	*	5/2015	Kasaba et al.	D13/112

(73) Assignee: **mitsubishi electric corporation**, Tokyo (JP)

(**) Term: **14 Years**

* cited by examiner

(21) Appl. No.: **29/497,453**

Primary Examiner — Derrick Holland

(22) Filed: **Jul. 24, 2014**

Assistant Examiner — Jennifer O King

(30) **Foreign Application Priority Data**

(74) *Attorney, Agent, or Firm* — Studebaker & Brackett PC

Mar. 12, 2014 (JP) 2014-005190
Mar. 12, 2014 (JP) 2014-005191

(57) **CLAIM**

The ornamental design for a turbine generator, as shown and described.

(51) **LOC (10) Cl.** **13-01**

DESCRIPTION

(52) **U.S. Cl.**
USPC **D13/112**

FIG. 1 is a front perspective view of the front, left, and top sides of a turbine generator showing a first embodiment of our new design.

(58) **Field of Classification Search**
USPC D13/112, 101, 110, 113-118, 122, 123, D13/154, 162, 164, 184, 199; D15/3, 5, D15/199; 74/606 R, 609; 310/10, 40 MM, 310/40 R, 42, 51, 52, 58, 64, 71, 80, 83, 85, 310/88, 89, 91, 109, 236, 239, 254; 318/245, 255; 322/16, 29; 361/688, 361/704, 709; 29/596-598
CPC F02B 63/04; H02K 3/24; H02K 3/47
See application file for complete search history.

FIG. 2 is a rear perspective view of the rear, right, and bottom sides thereof.

FIG. 3 is a front view thereof.

FIG. 4 is a rear view thereof.

FIG. 5 is a left side view thereof.

FIG. 6 is a right side view thereof.

FIG. 7 is a top view thereof.

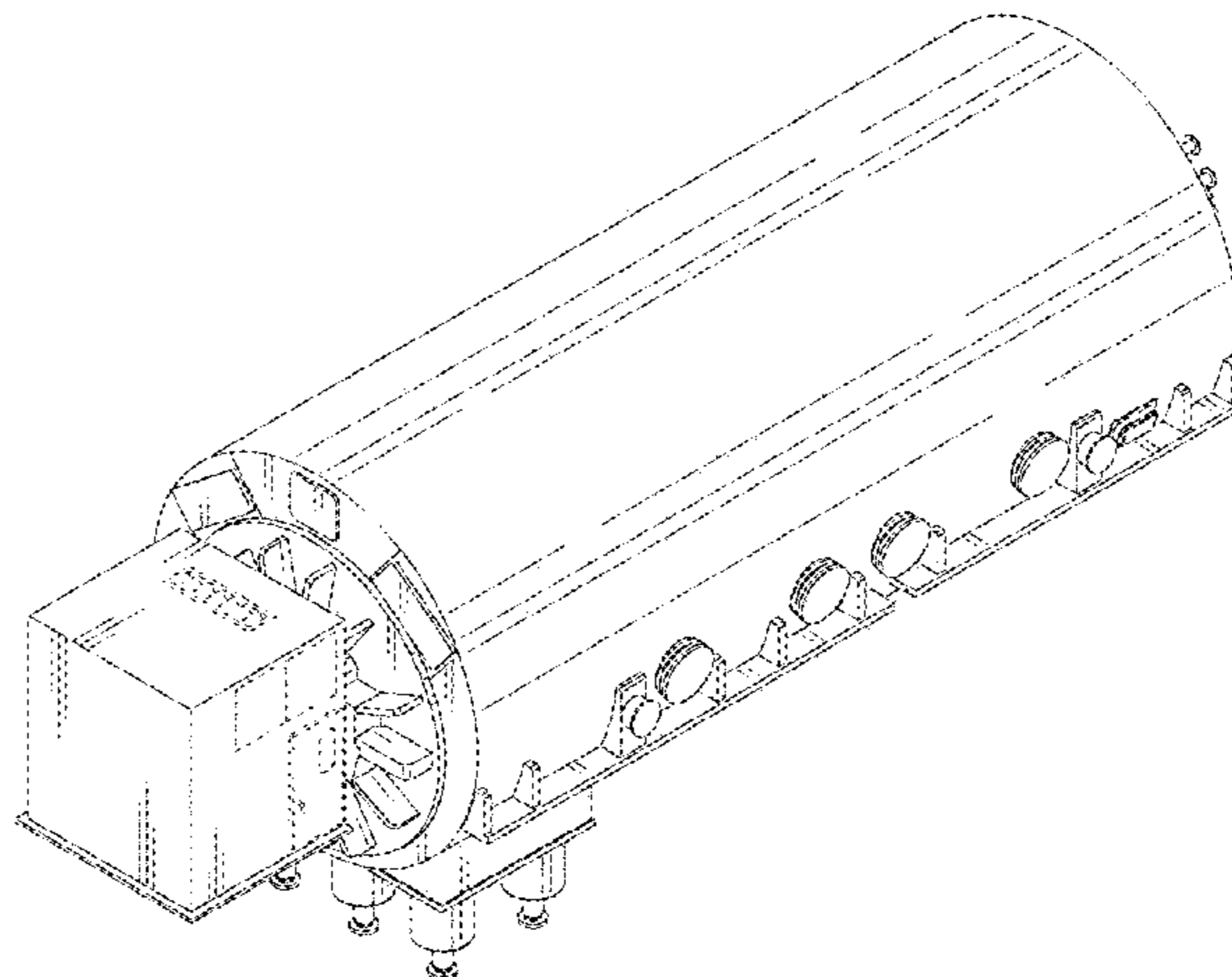
FIG. 8 is a bottom view thereof.

FIG. 9 is a sectional view thereof taken along line 9-9 of FIG. 5; and,

FIG. 10 is a reference view for showing use situation.

The broken lines shown represent unclaimed subject matter of turbine generator and form no part of the claimed design.

1 Claim, 9 Drawing Sheets



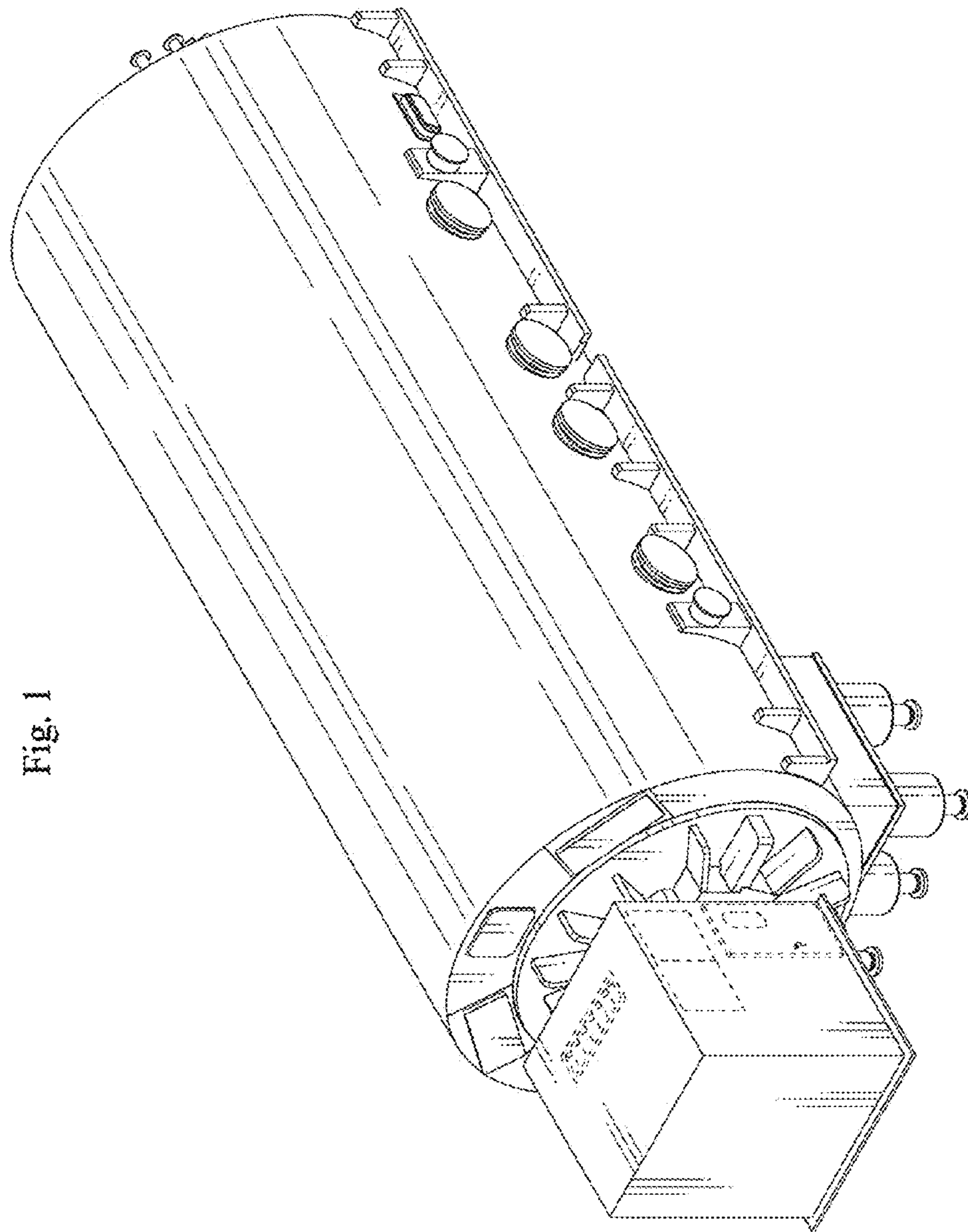


Fig. 1

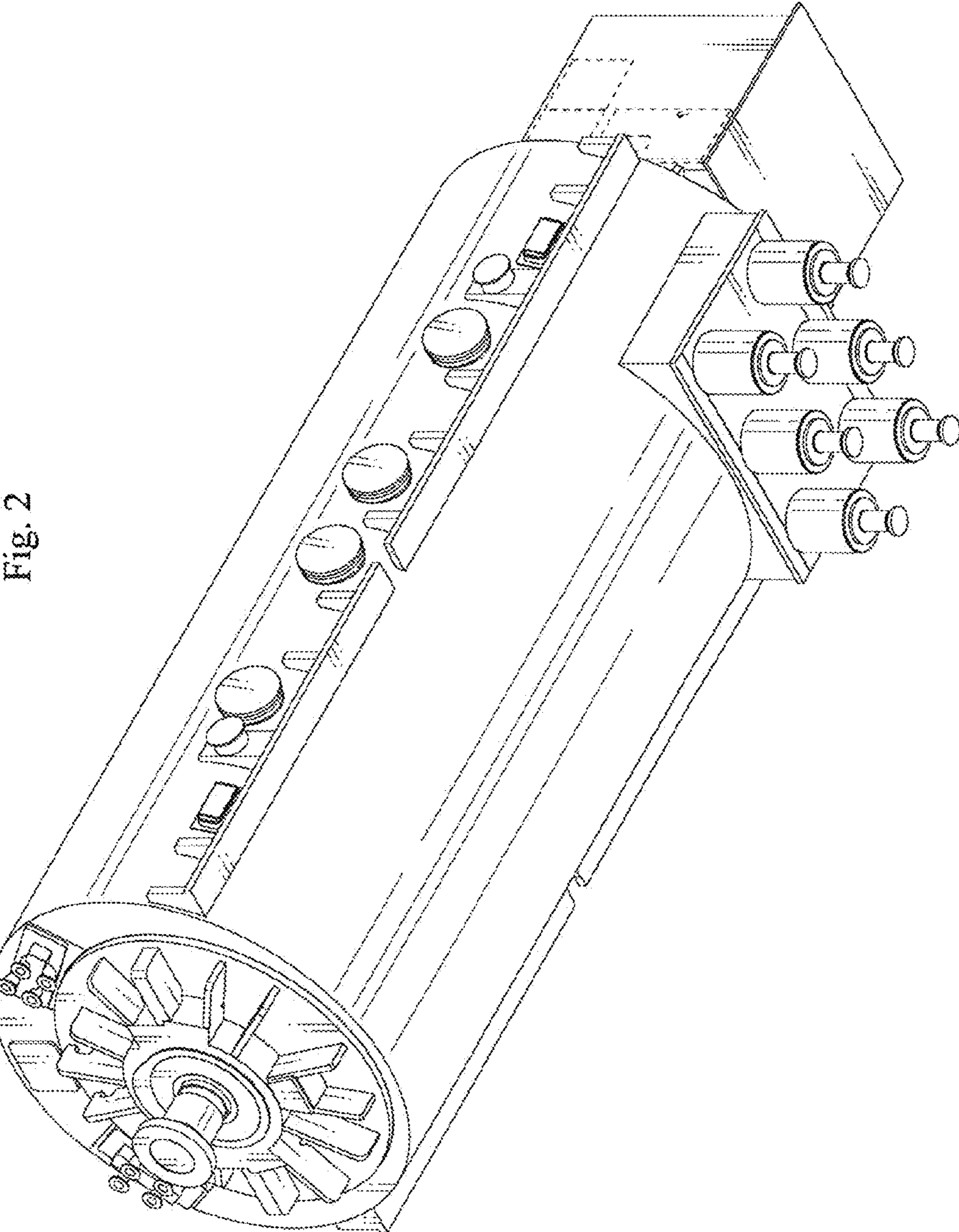


Fig. 2

Fig. 3

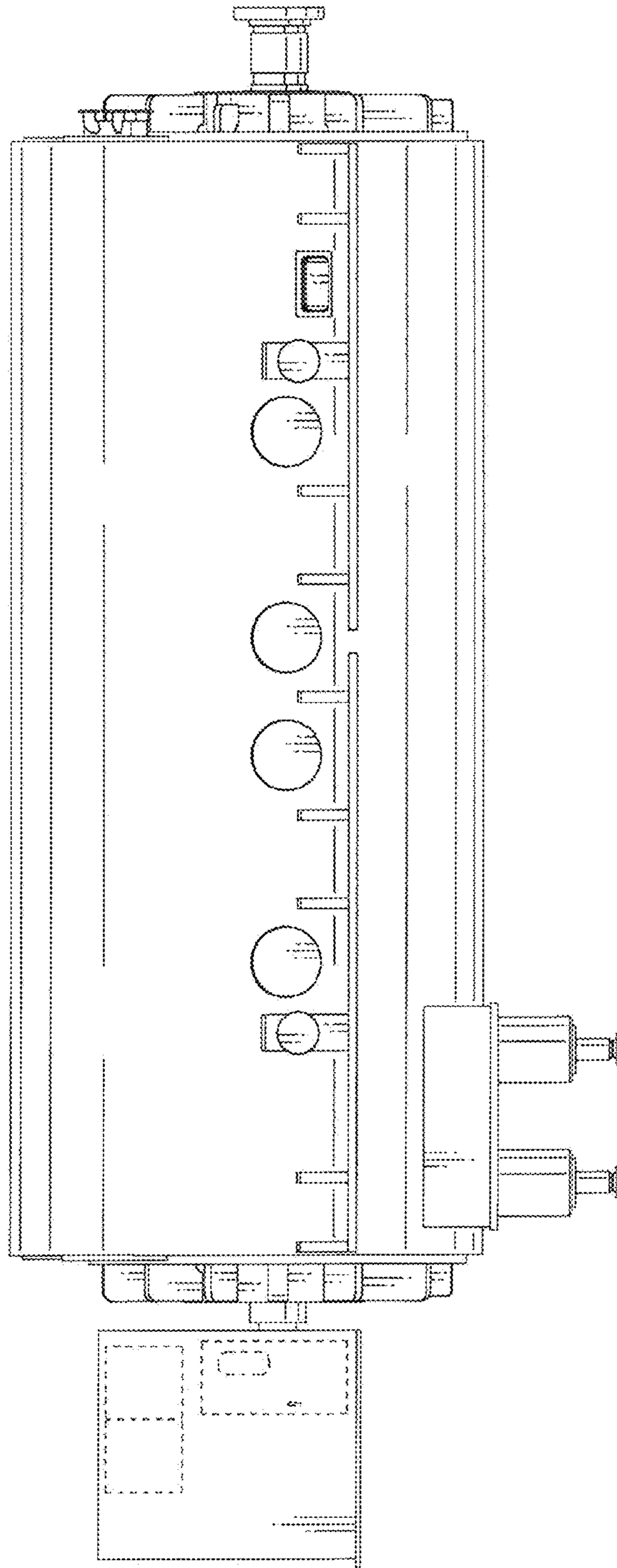


Fig. 4

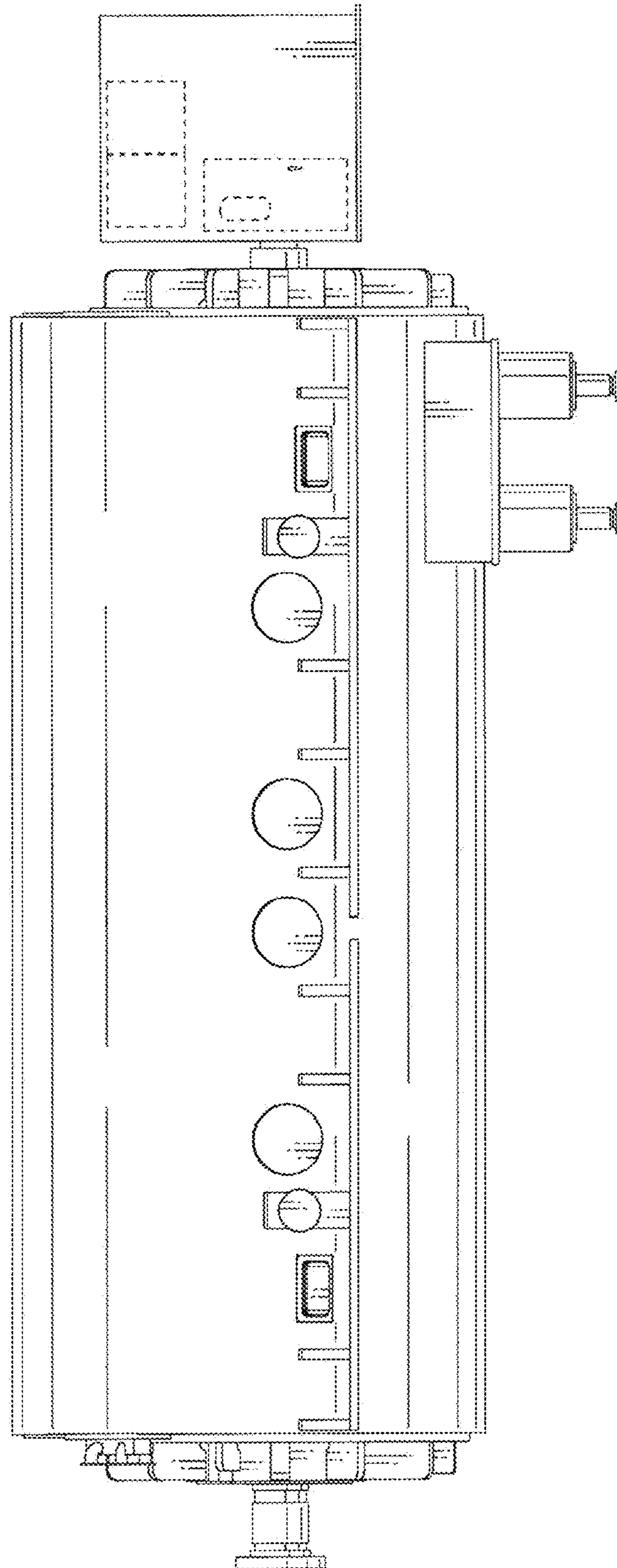


Fig. 6

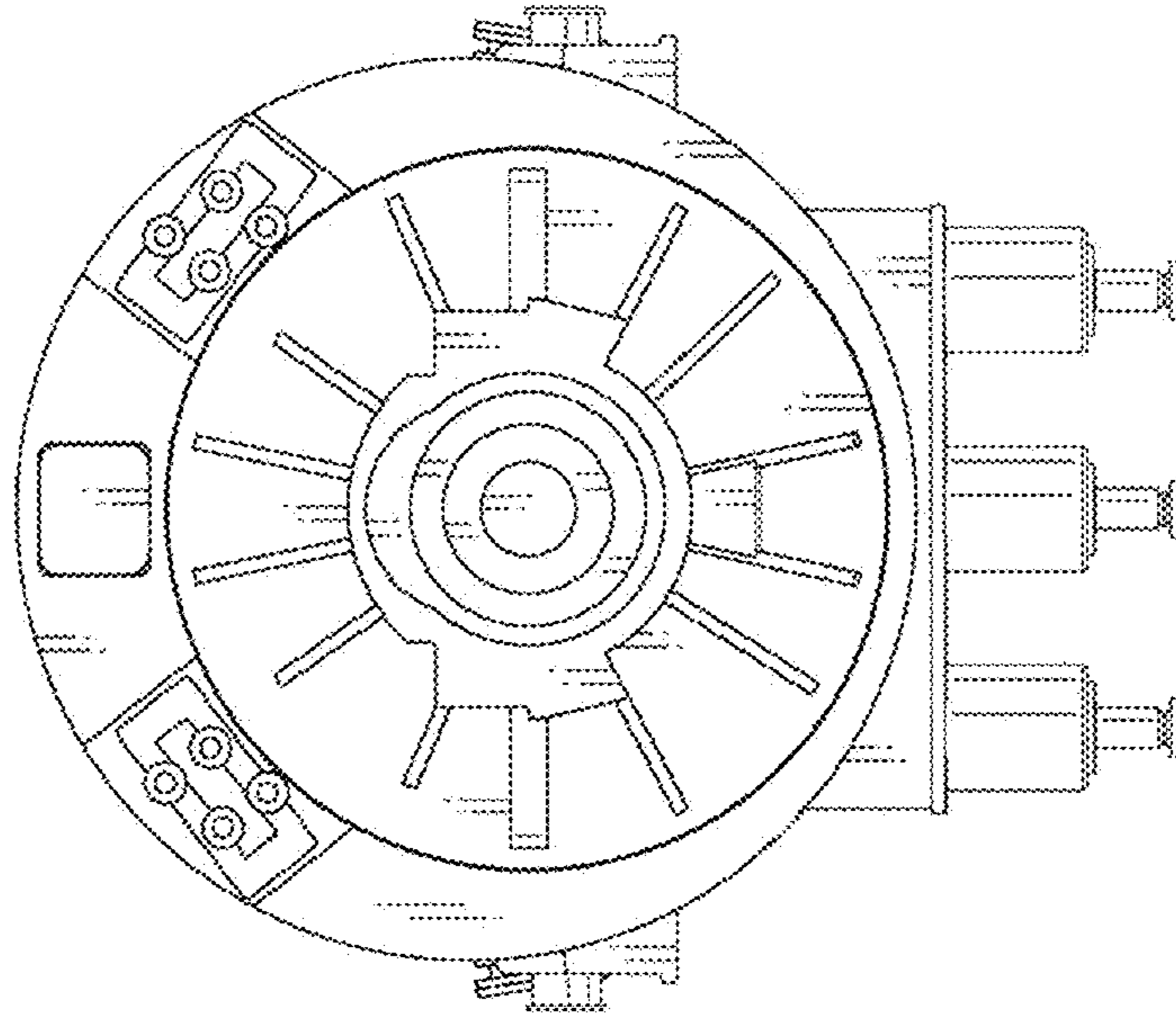


Fig. 5

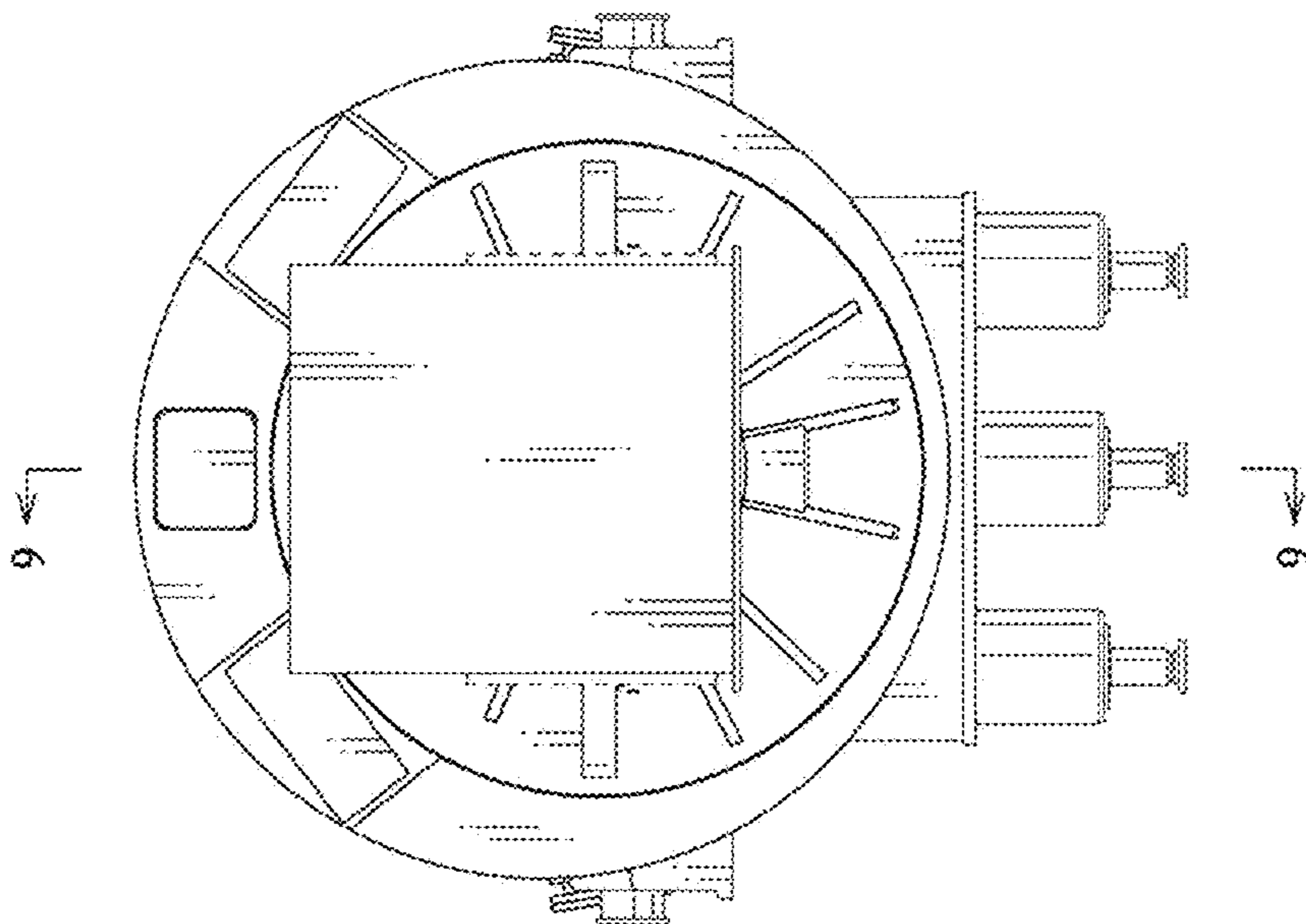


Fig. 7

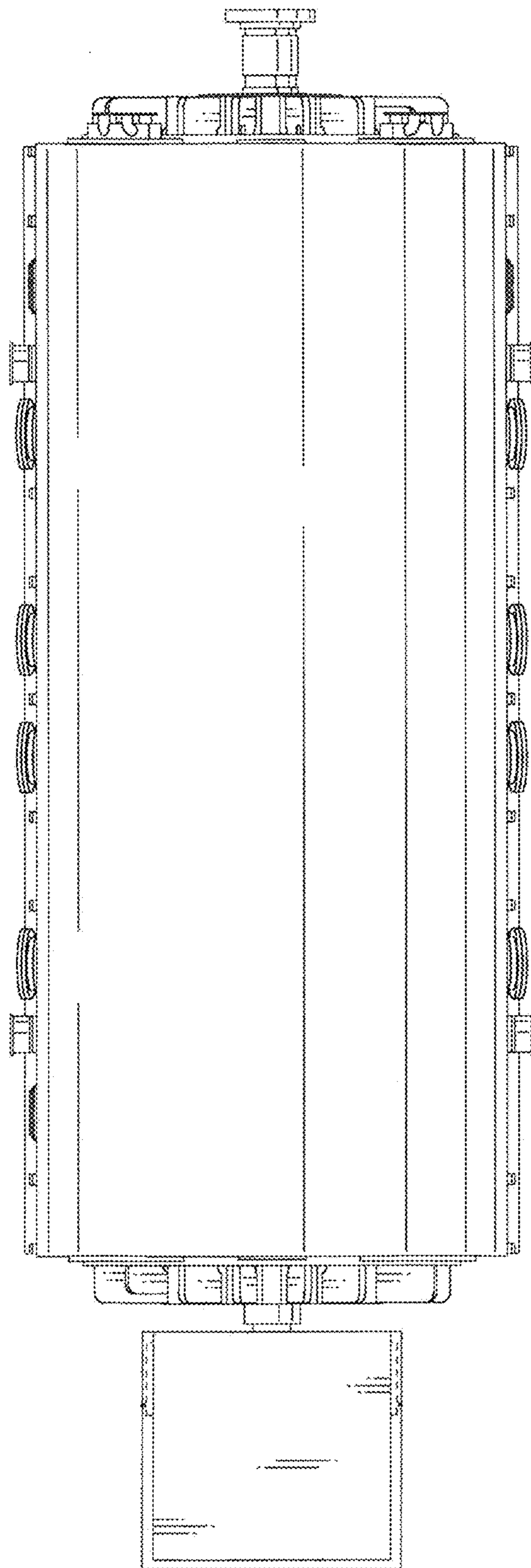


Fig. 8

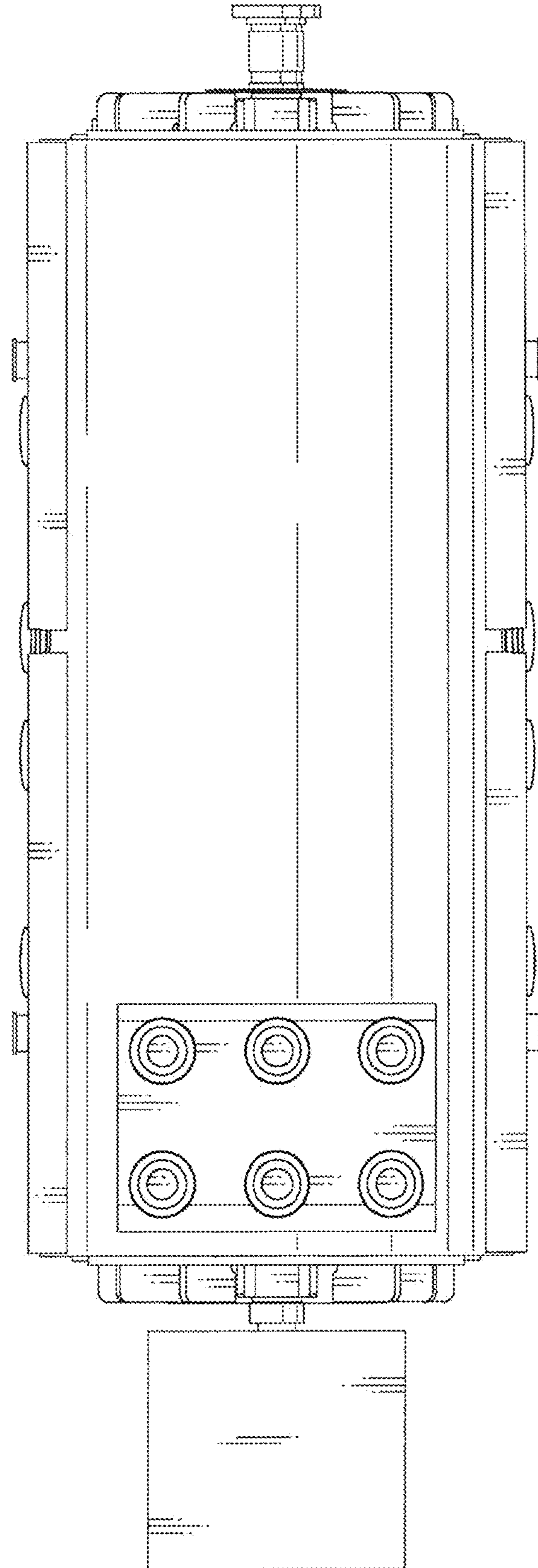


Fig. 9

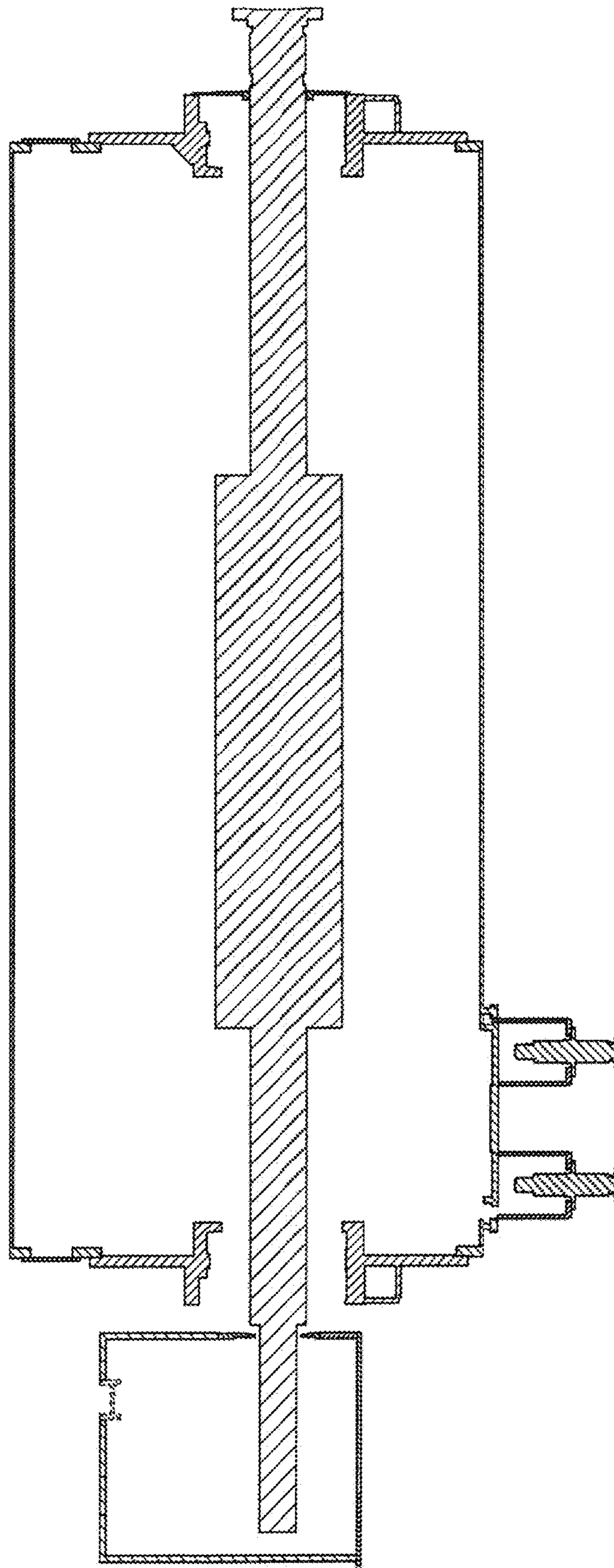


Fig. 10

