



US00D754065S

(12) **United States Design Patent**
Gray et al.

(10) **Patent No.:** **US D754,065 S**

(45) **Date of Patent:** **** Apr. 19, 2016**

(54) **AC-TO-DC POWER SUPPLY**

(56) **References Cited**

(71) Applicant: **DEKA Products Limited Partnership**,
Manchester, NH (US)

U.S. PATENT DOCUMENTS

(72) Inventors: **Larry B. Gray**, Merrimack, NH (US);
Erik N. Sabin, Manchester, NH (US);
Matthew R. Gill, San Francisco, CA
(US); **Jeffrey M. Janway**, Hooksett, NH
(US)

D289,395 S *	4/1987	Bowers	D13/110
D425,017 S *	5/2000	Leung	D13/110
D491,523 S *	6/2004	Chi	D13/110
D568,814 S *	5/2008	Hung	D13/123
D662,051 S *	6/2012	Saunders	D13/110
D692,378 S *	10/2013	Esses	D13/110

* cited by examiner

(73) Assignee: **DEKA Products Limited Partnership**,
Manchester, NH (US)

Primary Examiner — Derrick Holland

(74) *Attorney, Agent, or Firm* — James D. Wyninegar, Jr.

(**) Term: **14 Years**

(57) **CLAIM**

The ornamental design for an AC-to-DC power supply, as shown and described.

(21) Appl. No.: **29/517,098**

(22) Filed: **Feb. 10, 2015**

DESCRIPTION

(51) **LOC (10) Cl.** **13-02**

(52) **U.S. Cl.**
USPC **D13/110**

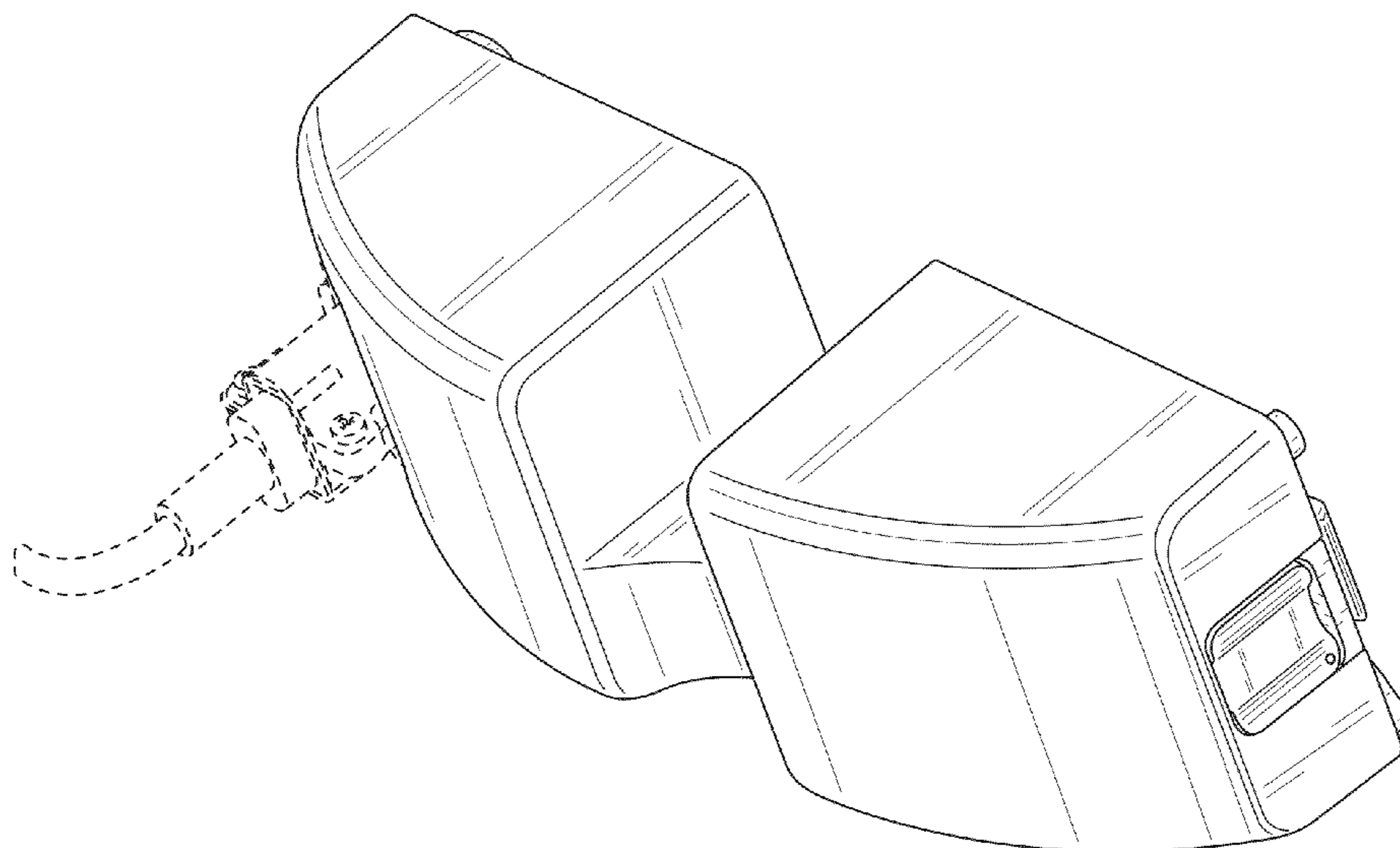
(58) **Field of Classification Search**
USPC D13/110, 103, 107, 108, 118, 119, 123,
D13/133, 137.1, 184, 199; D14/240, 251,
D14/356, 432, 433, 434; 174/53, 54, 59, 61;
307/11, 150, 151; 320/107, 111, 112,
320/113, 114, 115; 361/679.01; 363/142,
363/146; 439/131, 172, 626, 628, 638
CPC H02M 1/10; H02M 10/46; H02J 13/0096;
H02J 7/00; H02J 7/0042; H02J 7/0047;
H02J 9/00

FIG. 1 is a front, top, and right side perspective view of the AC-to-DC power supply, showing our new design; FIG. 2 is a front side elevational view thereof; FIG. 3 is a rear side elevational view thereof; FIG. 4 is a left side elevational view thereof; FIG. 5 is a right side elevational view thereof; FIG. 6 is a top plan view thereof; and, FIG. 7 is a bottom plan view thereof.

The ornamental design which is claimed is shown in solid lines in the drawings. The broken lines shown represent unclaimed subject matter and form no part of the claimed design.

See application file for complete search history.

1 Claim, 7 Drawing Sheets



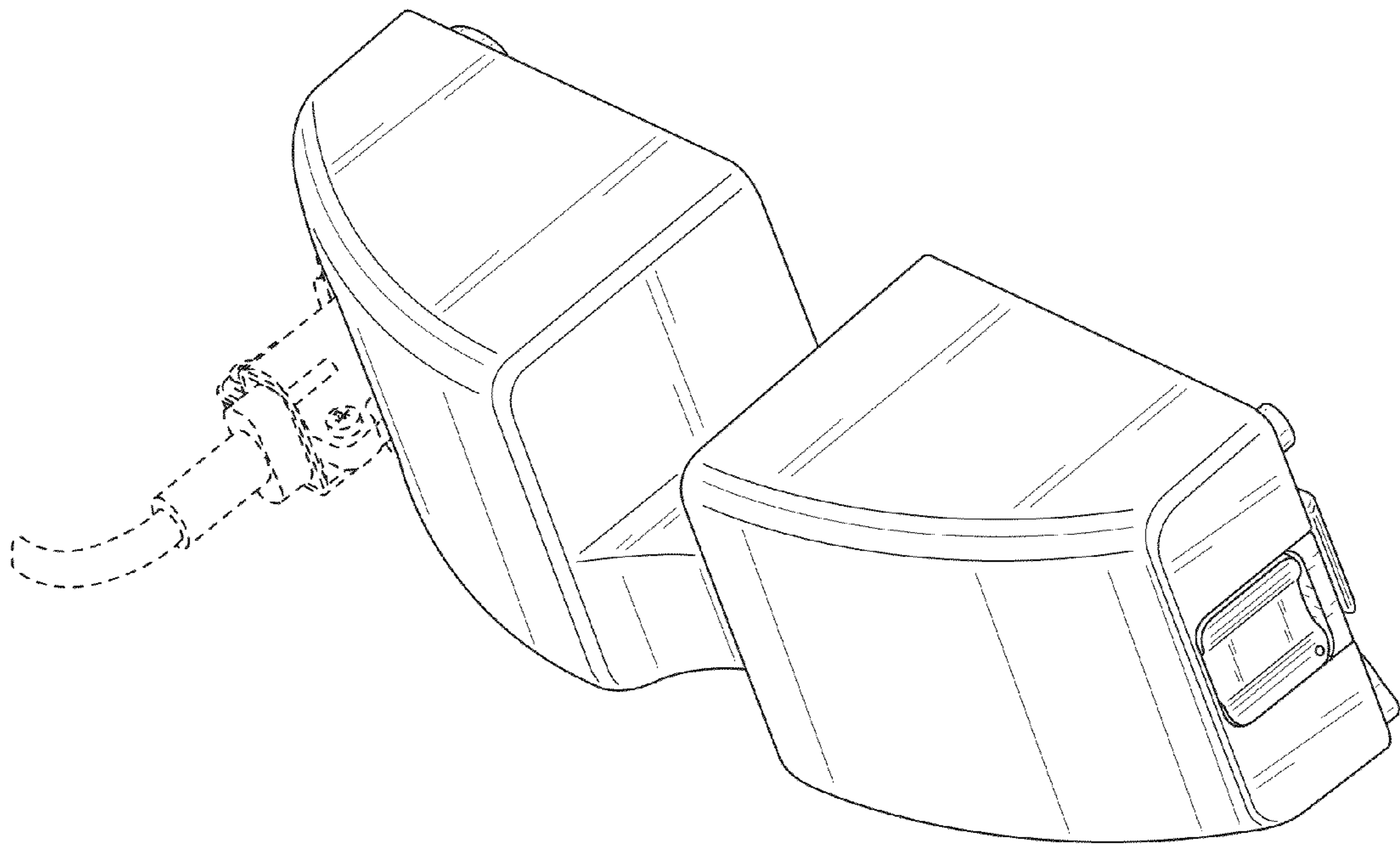


FIG. 1

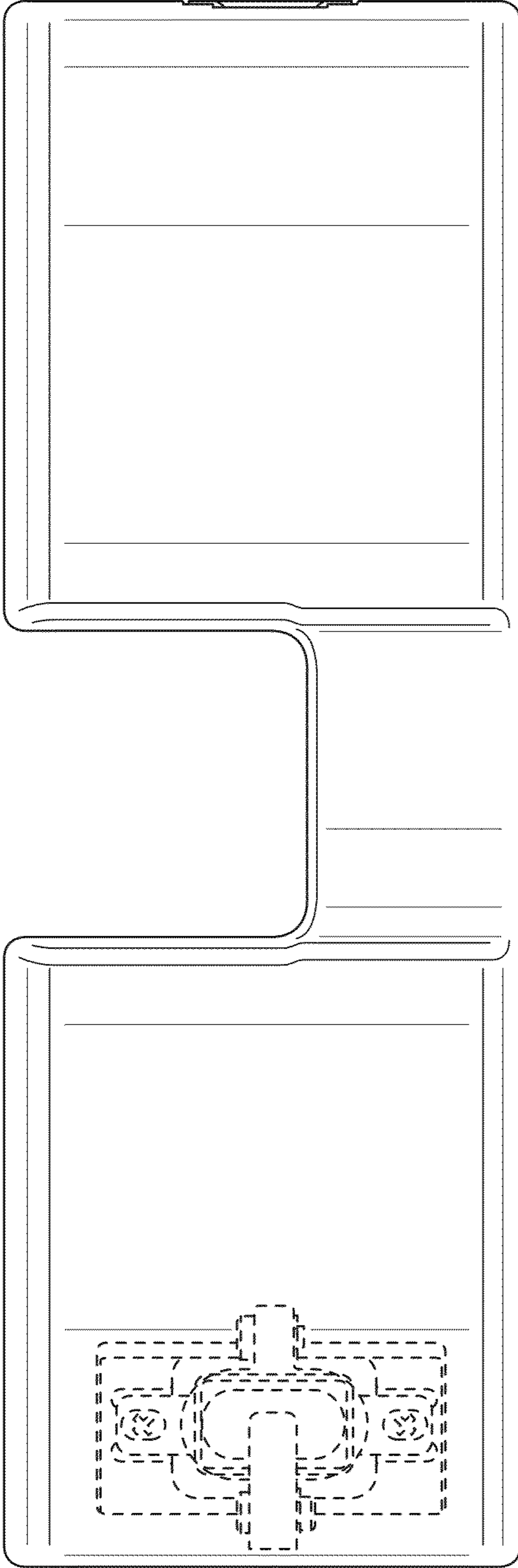


FIG. 2

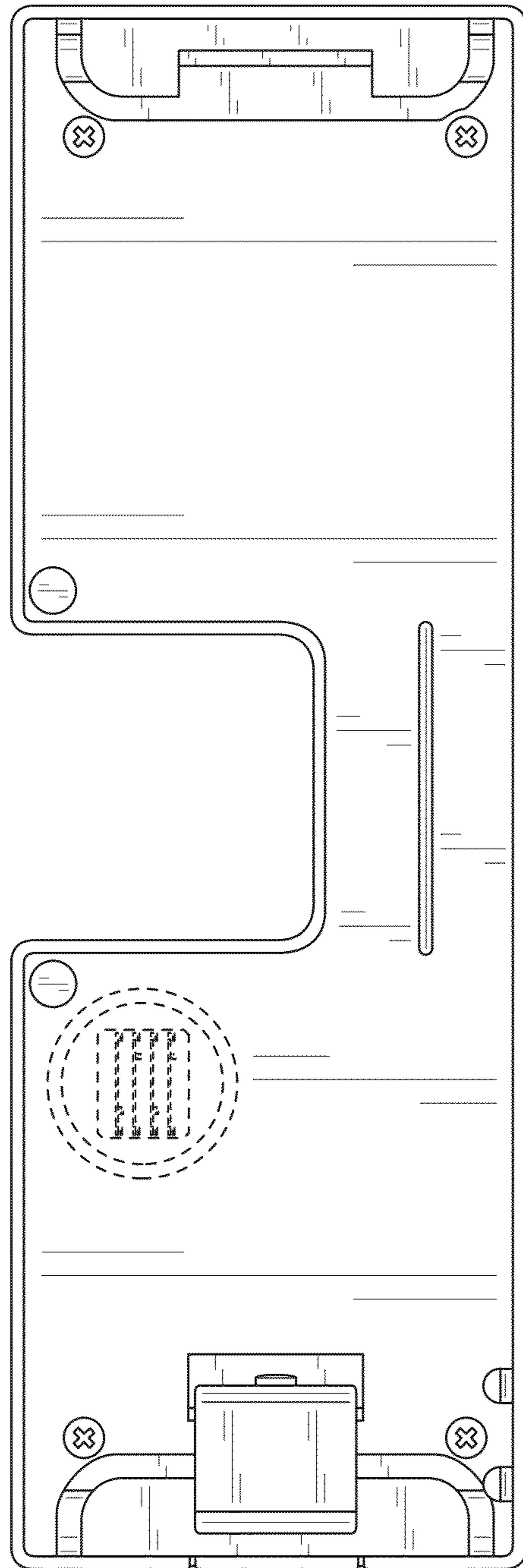


FIG. 3

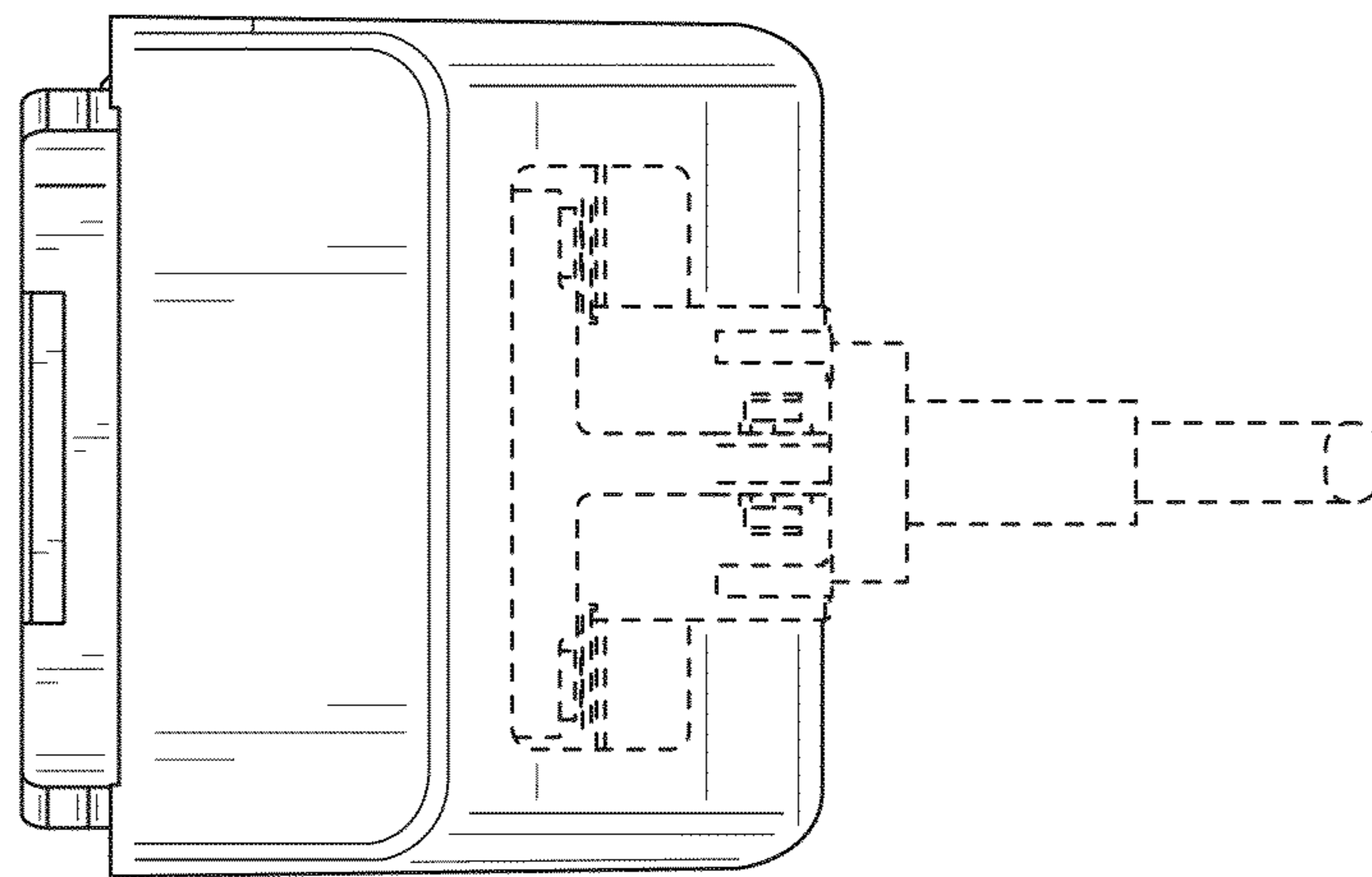


FIG. 4

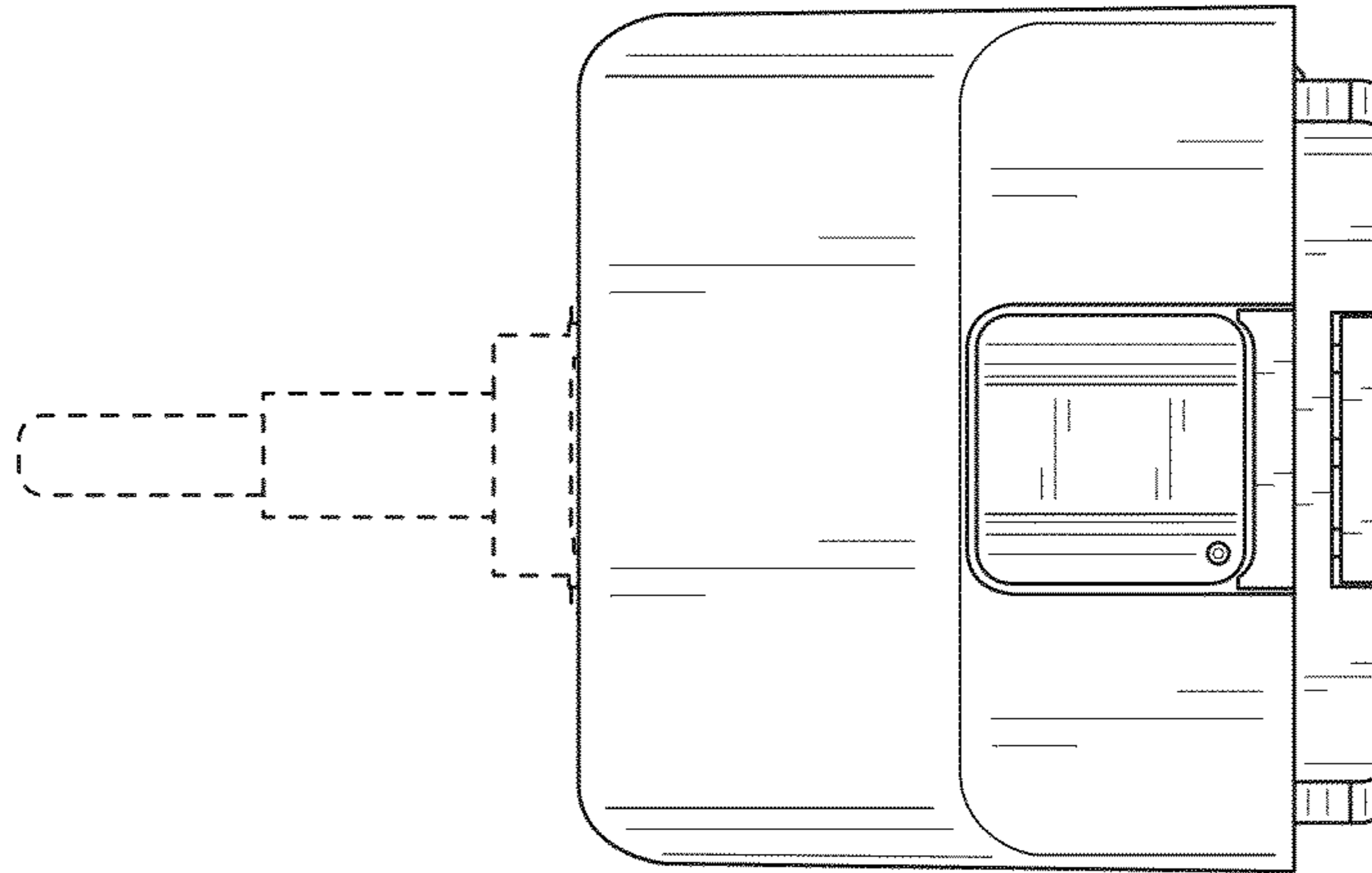


FIG. 5

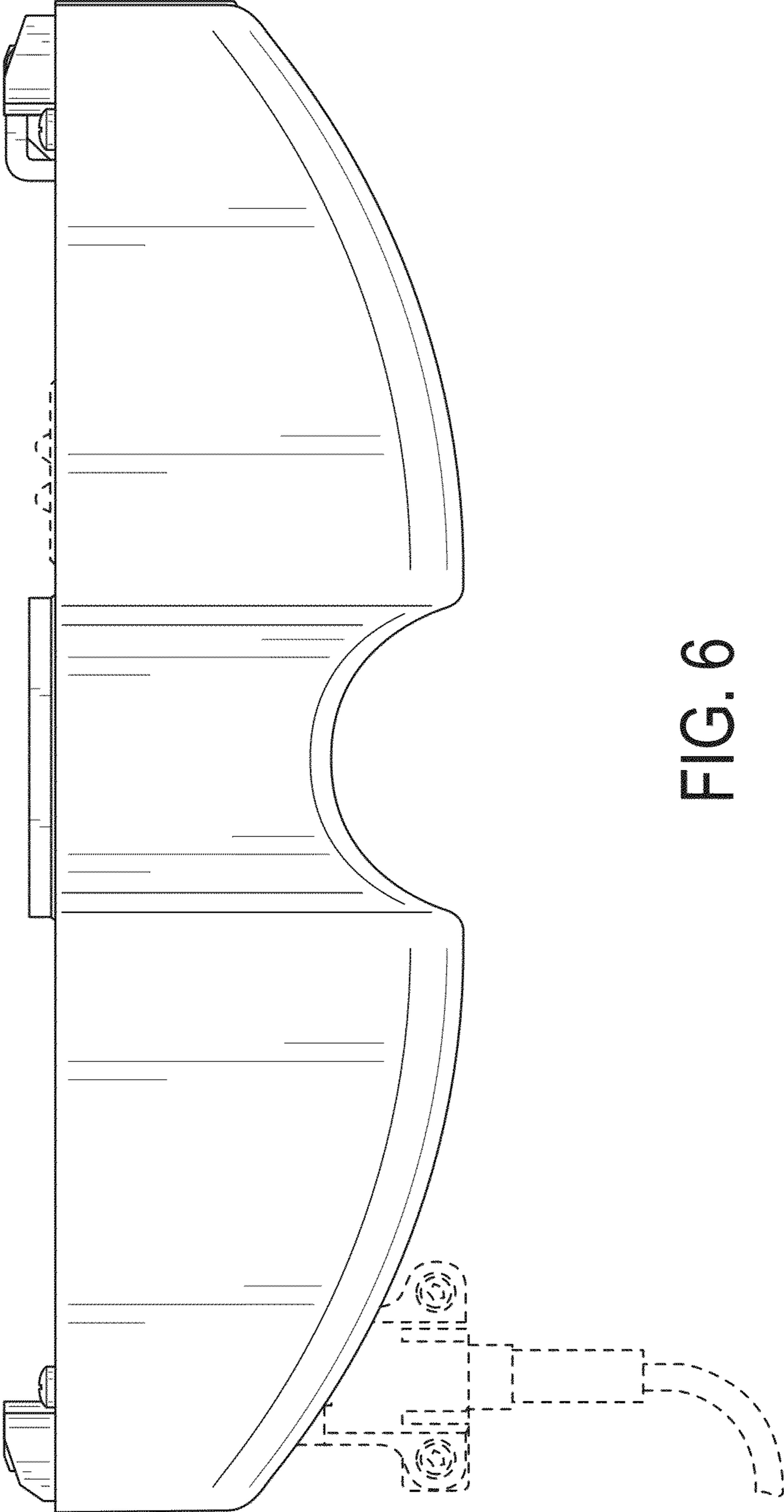


FIG. 6

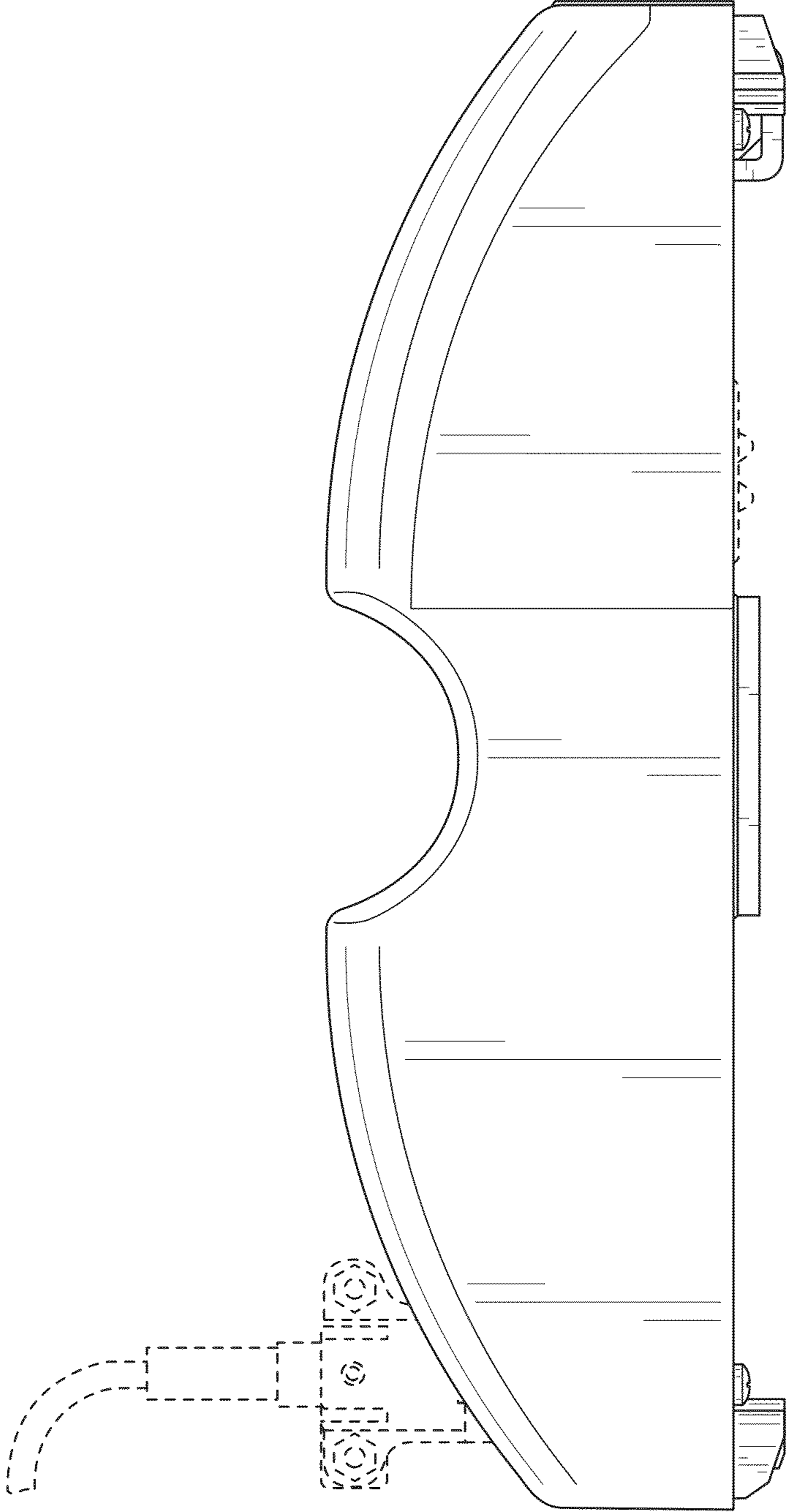


FIG. 7