



US00D754055S

(12) **United States Design Patent**
Harrison

(10) **Patent No.:** **US D754,055 S**
(45) **Date of Patent:** **** Apr. 19, 2016**

(54) **CARRIER**

(71) Applicant: **Craig Harrison**, Gulf Breeze, FL (US)

(72) Inventor: **Craig Harrison**, Gulf Breeze, FL (US)

(73) Assignee: **Daws Manufacturing Co., Inc.**,
Pensacola, FL (US)

(**) Term: **14 Years**

(21) Appl. No.: **29/510,104**

(22) Filed: **Nov. 25, 2014**

(51) **LOC (10) Cl.** **12-16**

(52) **U.S. Cl.**
USPC **D12/406**

(58) **Field of Classification Search**
USPC D12/401-414; D6/610-611
CPC B60R 9/00; B60R 9/02; B60R 9/04;
B60R 9/08; B60R 9/042; B60R 9/0423;
B60R 9/045; B60R 9/048; B60R 9/05; B60R
9/052; B60R 9/058; B60R 9/065; B60R 9/10;
B60R 9/12

See application file for complete search history.

(56) **References Cited**

U.S. PATENT DOCUMENTS

D459,287 S *	6/2002	Beard	D12/406
D528,965 S *	9/2006	Wang	D12/406
D586,287 S *	2/2009	McBride	D12/106
D593,927 S *	6/2009	Walton	D12/406
D660,748 S *	5/2012	Cooley	D12/101
D691,518 S *	10/2013	Monia	D12/101
D713,775 S *	9/2014	Lagermann	D12/406
D743,870 S *	11/2015	Galley	D12/406

* cited by examiner

Primary Examiner — Katrina A Betton

(74) *Attorney, Agent, or Firm* — GrayRobinson, PA;
Thomas L. Kautz

(57) **CLAIM**

The ornamental design for a carrier, as shown and described.

DESCRIPTION

FIG. 1 is a top perspective view of my ornamental design for a carrier;

FIG. 2 is a front elevational view thereof.

FIG. 3 is a rear elevational view thereof;

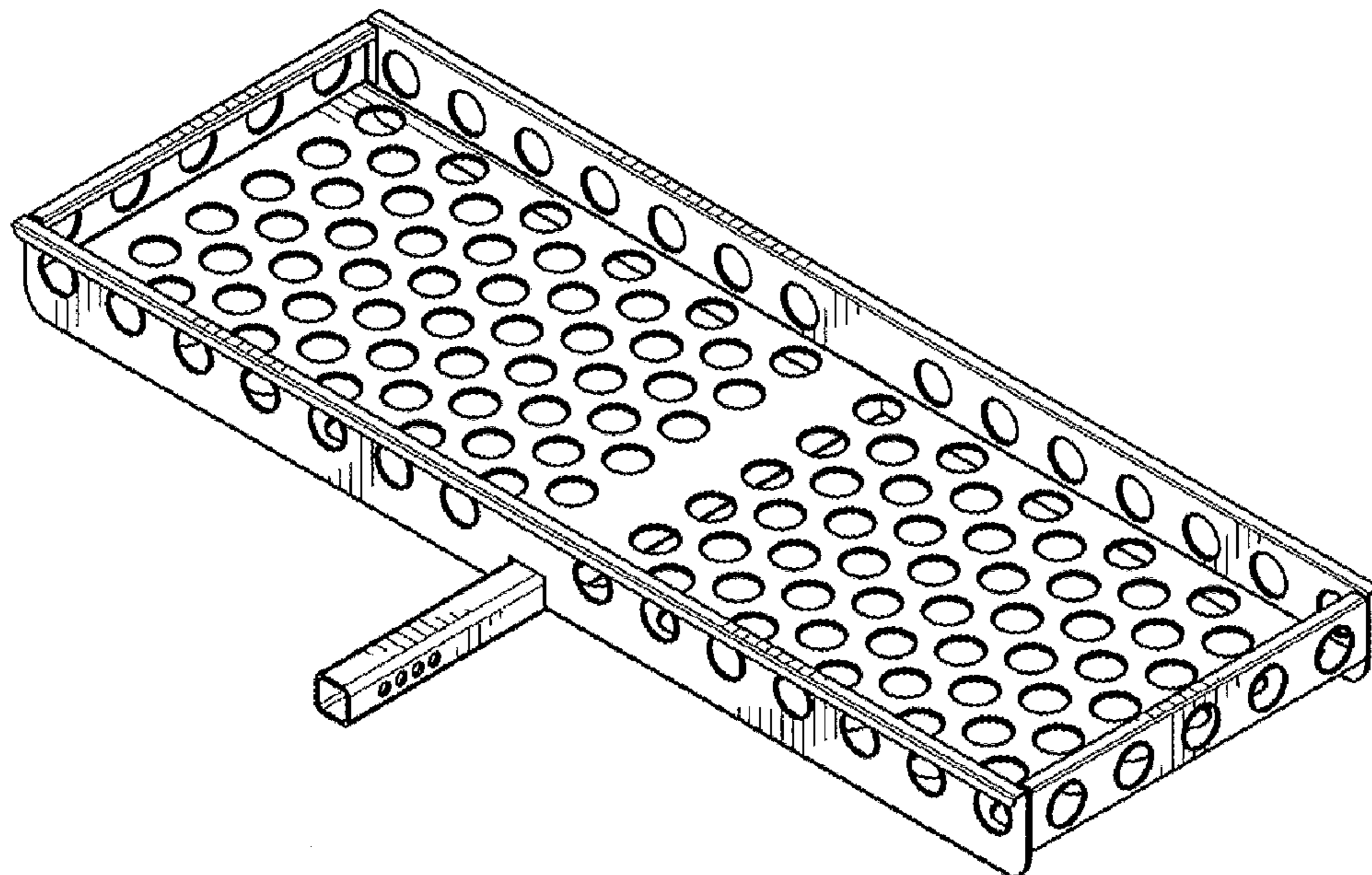
FIG. 4 is a left side elevational view thereof;

FIG. 5 is a right side elevational view thereof;

FIG. 6 is a top plan view thereof; and,

FIG. 7 is a bottom plan view thereof.

1 Claim, 4 Drawing Sheets



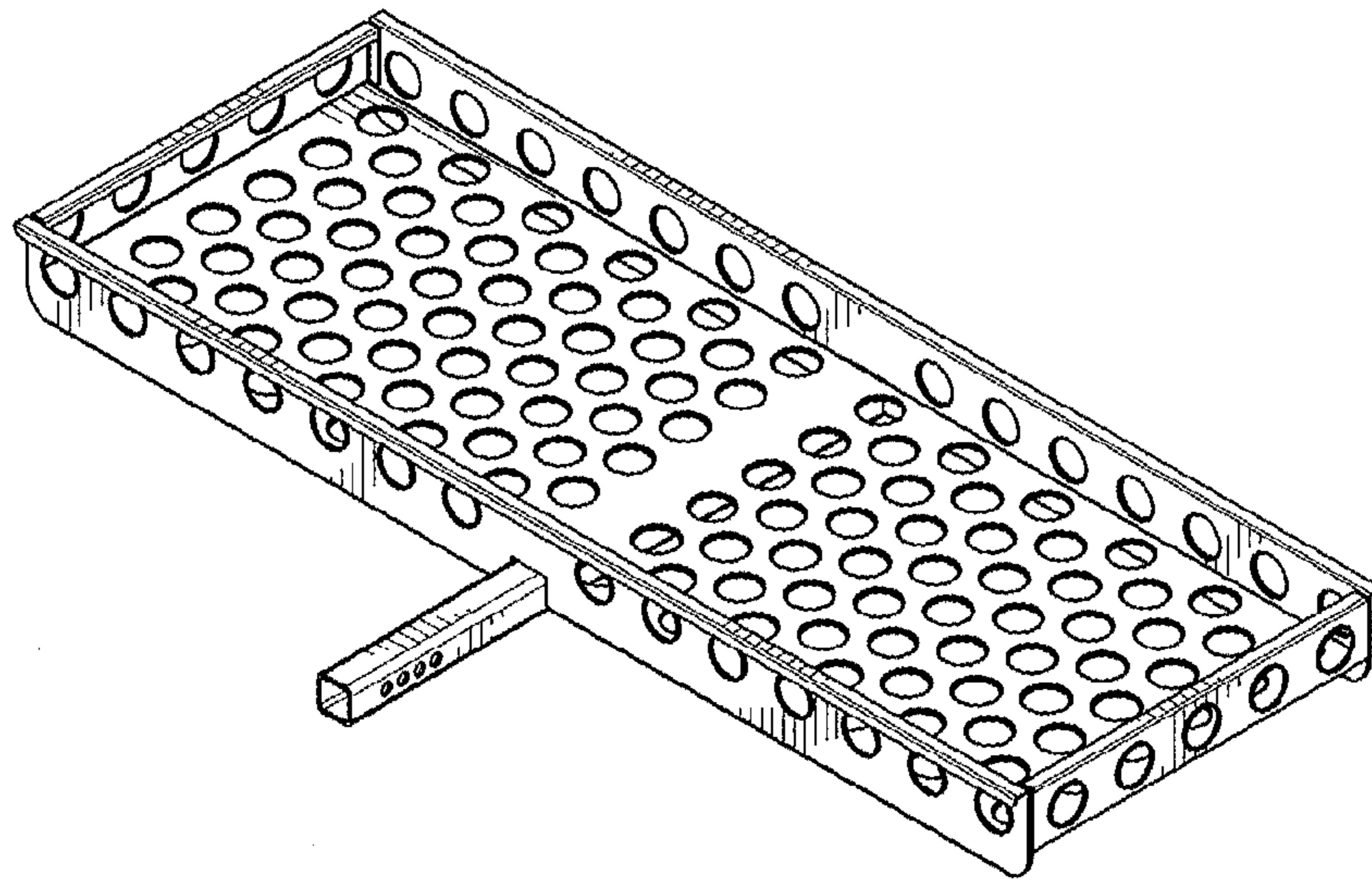


FIG. 1



FIG. 2



FIG. 3



FIG. 4



FIG. 5

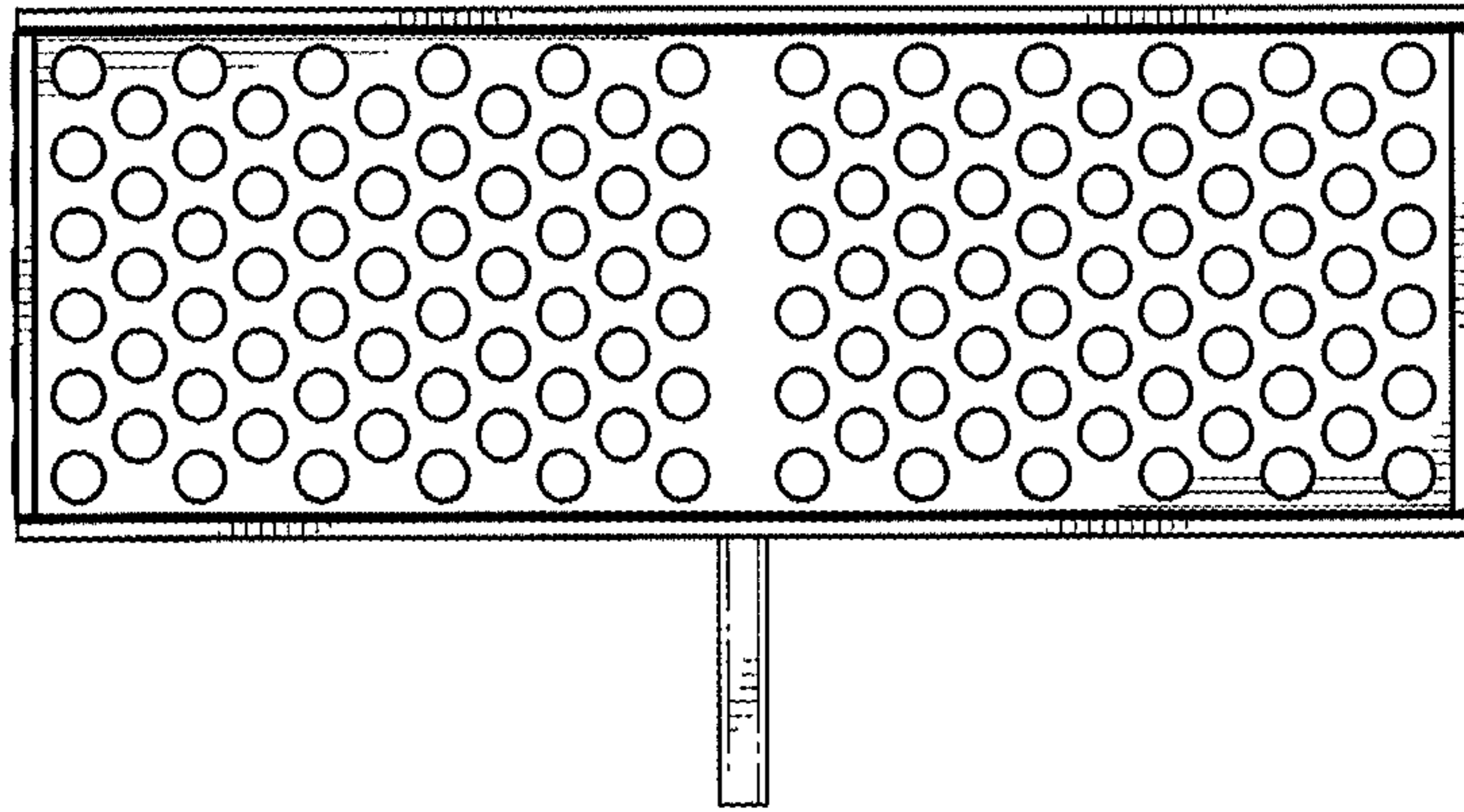


FIG. 6

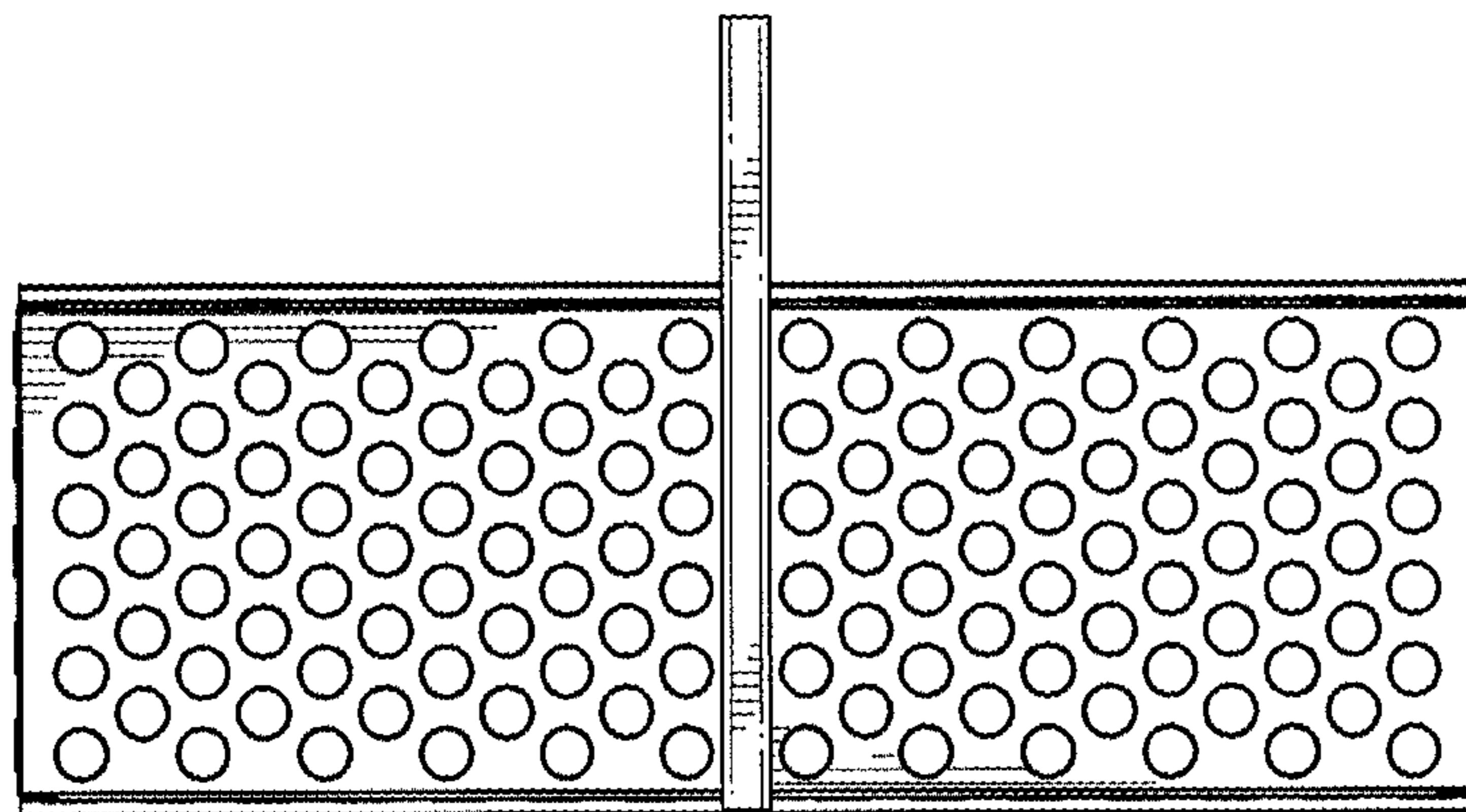


FIG. 7